

**FEIN. Unverwüstliche
Elektrowerkzeuge.**



FEIN Catalogue 04/2016



Welcome to FEIN

In the new FEIN Price Catalogue 2016 you'll find our complete range of professional and extremely reliable power tools for manual trades and industry. Designed to be as user-friendly as our products, the new FEIN Price Catalogue provides an at-a-glance guide to the complete FEIN product range. It's concise layout contains all the key information you need to make an informed choice. Expert advice with all the facts and figures you need and the relevant FEIN system accessories.



**Cordless tools**

Drill/Drivers	4	FEIN AccuTEC	28	Nibblers	49
Hammer Drills	13	MULTIMASTER	37	Drills	52
Dry wall screw guns	17	SUPERCUT	40	SuperWire	57
Metal screw gun	21	Slitting shears	47	Cordless Combination Sets	58
Impact wrenches	24	Sheet metal shears	48		

Drilling

Drills	64	Magnetic drill jigs	75		
Angle drills	74	Tappers	79		

Fastening

Metal screw gun	82	Dry wall screw guns	83		
-----------------	----	---------------------	----	--	--

Grinding

Compact angle grinders	88	Die Grinders	102	High Frequency Straight Grinders	113
Large angle grinders	98	High Frequency Angle Grinders	108	Frequency converter	117

Sheet metal working

Slitting shears	124	Sheet metal shears	127	Nibblers	130
-----------------	-----	--------------------	-----	----------	-----

Sawing and cutting

Jigsaws	138	Pipe Saws	141	Construction cutter	145
---------	-----	-----------	-----	---------------------	-----

Metal core drilling

KBH	148	KBB	152	KBM	158
-----	-----	-----	-----	-----	-----

Wet / dry dust extractor

Wet / dry dust extractor	176				
--------------------------	-----	--	--	--	--

Surface processing

Sanders	184	Polishers	198		
---------	-----	-----------	-----	--	--

Oscillating

FEIN MULTIMASTER / MULTITALENT	206	FEIN SUPERCUT CONSTRUCTION	210	FEIN SUPERCUT AUTOMOTIVE	230
--------------------------------	-----	----------------------------	-----	--------------------------	-----

Stationary belt grinders

GRIT GHB hand-guided belt grinder	238	GRIT GX add-on modules for manual trades	242	GRIT GI add-on modules for industry	246
GRIT GX basic belt grinder for manual trades	240	GRIT GI basic belt grinder for industry	243	Other GRIT additional modules	249

Accessories

Balancers	258				
-----------	-----	--	--	--	--

Numerical section

Machines in numerical order	262	Accessories in numerical order	268	Vibration and noise emission values	306
-----------------------------	-----	--------------------------------	-----	-------------------------------------	-----

The FEIN cordless range – unique, reliable and extremely durable.

With the addition of the new cordless drill/drivers, FEIN now offers a comprehensive range of cordless tools. At the heart of this range lie the new FEIN Li-ion batteries in 18 V and 14.4 V, available with 5 Ah and 2,5 Ah capacities. Since they are considerably lighter, smaller and cost-effective, the 2,5 Ah batteries are particularly beneficial. All FEIN Li-ion batteries feature the new SafetyCell technology. A separate communication cable protects the battery and tool from damage due to overload – making the FEIN battery technology long-lasting and safe. FEIN provides the 3-year FEIN PLUS warranty for all cordless tools (including Li-ion batteries and charger). Simply register the product within 6 weeks of purchase at www.fein.com/warranty.



Drill/Driver **Page 4**

The optimum combination of flexibility, power and reliability. Designed for a full range of interior construction activities, right up to demanding installation work with wood, metal and stone.



Combi Drill **Page 13**

The activatable hammer function makes for quick and precise drilling in stone and masonry. In addition to quick and precise screw driving.



Dry wall screw gun **Page 17**

The specialist tools for drywall and interior applications. Lightweight, ergonomic and compact for optimum results.



Cordless metal screw guns **Page 21**

For safe, consistent working with self-drilling and thread-moulding screws in roof and facade construction as well as heating, air conditioning and ventilation.



Cordless impact wrench/driver **Page 24**

Unbeatably efficient and always reliable with a wide range of uses FEIN impact wrenches are designed to work with high continuous loads.



FEIN AccuTec **Page 28**

Long-life precision cordless screwdrivers for soft and hard screw connections in industrial volume production.



MULTI MASTER **Page 37**

The universal system for interior work and renovation.

**SUPERCUT****Page****40**

The most powerful system for interior work and renovation.

**Slitting shears****Page****47**

Clean, distortion-free cutting of sheet metals, profiles and pipes - with just one continuous cut.

**Sheet metal shears****Page****48**

The right choice for everyone who values the highest cutting performance in sheet metal and stainless steel.

**Nibblers****Page****49**

Extremely versatile and curve-compatible, particularly suited for trapezoid sheet metals, corrugated sheet metals, profiles and curved single rolled sheets.

**Drills****Page****52**

Perfectly suited to the job. Precise, powerful, easy to use.

**SuperWire****Page****57**

Wire glass removal system for vehicle glazing.

**Cordless Combination Sets****Page****58**

For everyone who wants even more performance for their money.

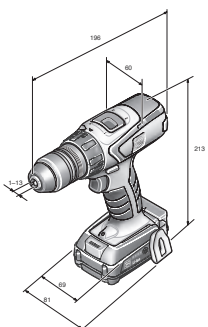
The double pack for professionals.



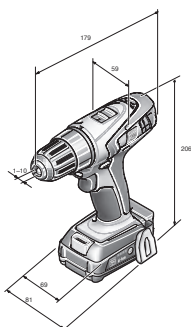
	ASCM 18 QX	ASCM 18 QXC	ASCM 18 QX Select	ASCM 18	ASCM 18 C	ASCM 18 Select	ABS 18	ABS 18 C	ABS 18 Select
	The most powerful FEIN cordless drill/driver: with brushless motor, 4-speed gearbox and removable drill chuck.			The most powerful FEIN cordless drill/driver: with brushless motor and 4-speed gearbox.			The compact FEIN cordless drill/driver: light and extremely durable.		
Page	6	6	6	7	7	7	8	8	8
Technical features	Battery voltage (V)	18	18	18	18	18	18	18	18
	Battery capacity (Ah)	5	2,5		5	2,5		4	2
	Motor	brushless	brushless	brushless	brushless	brushless	brushless	4-pole DC	4-pole DC
	Gearbox	4-speed	4-speed	4-speed	4-speed	4-speed	4-speed	2-speed	2-speed
	Max. torque (hard/soft)	90 / 46	85 / 38	90 / 46	90 / 46	85 / 38	90 / 46	60 / 35	55 / 32
	Torque levels	15 + 1	15 + 1	15 + 1	15 + 1	15 + 1	15 + 1	22 + 1	22 + 1
	Capacity in steel Ø (mm)	13	13	13	13	13	13	13	13
	Capacity in wood Ø (mm)	50	50	50	50	50	50	50	50
	Weight with battery (kg)	2,0	1,7		2,2	2,0		2,1	1,8
	Removable drill chuck	●	●	●					

- included

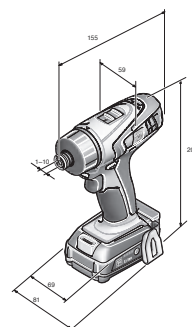
	ASCM 14 QX	ASCM 14 QXC	ASCM 14	ASCM 14 C	ABS 14	ABS 14 C	ASCM 12 C	ABSU 12 C	ABSU 12 W4C
	The most powerful FEIN cordless drill/driver: with brushless motor, 4-speed gearbox and removable drill chuck.		The most powerful FEIN cordless drill/driver: with brushless motor and 4-speed gearbox.		The compact FEIN cordless drill/driver: light and extremely durable.		The most powerful 12 V cordless drill/driver with brushless motor, 4-speed gearbox and removable drill chuck.	Powerful and light cordless drill/driver with fixed drill chuck.	Compact cordless drill/driver with outstanding ergonomics and extremely short design.
	9	9	9	10	10	10	11	11	11
	14,4	14,4	14,4	14,4	14,4	14,4	12	12	12
	5	2,5	5	2,5	4	2	2,5	2,5	2,5
	brushless	brushless	brushless	brushless	4-pole DC	4-pole DC	brushless	2-pole DC	2-pole DC
	4-speed	4-speed	4-speed	4-speed	2-speed	2-speed	4-speed	2-speed	2-speed
	85 / 38	80 / 29	85 / 38	80 / 29	55 / 30	50 / 27	40 / 20	30 / 16	30 / 16
	15 + 1	15 + 1	15 + 1	15 + 1	22 + 1	22 + 1	20 + 1	17 + 1	17 + 1
	13	13	13	13	13	13	13	10	
	50	50	50	50	35	35	40	30	
	1,9	1,7	2,1	1,9	2,0	1,8	1,1	1,2	1,1
	●	●							



ASCM 12



ABSU 12



ABSU 12 W4

ASCM 18 QX



For accessories, see page 12

The most powerful FEIN cordless drill/driver: with brushless motor, 4-speed gearbox and removable drill chuck.

Battery voltage	V	18
Battery capacity	Ah	5
Motor		brushless
Gearbox		4-speed
Speed, no load	rpm	400 / 800 / 1 950 / 3 850
Max. torque (hard/soft)	Nm	90 / 46
Torque levels		15 + 1
Drill chuck clamping width	mm	1,5 - 13
Fastening		10 x 400 mm
Capacity in steel Ø	mm	13
Capacity in wood Ø	mm	50
Weight with battery	kg	2,0
Part number		7 116 04 61 00 0
EAN		4014586873961

FEIN benefits:

- ▶ 4-speed solid metal gearbox.
- ▶ Brushless FEIN PowerDrive motor with 30% higher efficiency.
- ▶ Lithium ion storage battery with FEIN SafetyCell Technology. A separate communication cable protects the battery and tool from overload.
- ▶ 3-year FEIN PLUS warranty including battery and charger.
- ▶ Removable solid metal drill chuck / bit holder.
- ▶ Electronic torque setting.
- ▶ Motor and electronics have full dust protection.
- ▶ 1800 screw connections with one battery charge.
- ▶ Fixes 10 x 400 mm screws without pre-drilling.
- ▶ High torques up to 90 Nm.
- ▶ Carbide-tipped clamping jaws are a highly reliable way to hold round drill shafts.
- ▶ Bit holder takes C 6.3 and E 6.3 bits.
- ▶ Magnetic bit holder with high-quality neodymium magnet.

Price includes:

1 cordless drill/driver, 2 battery packs (Li-ion), 1 rapid charger ALG 50, 1 handle, 1 removable drill chuck / separate bit holder, 1 plastic carrying case

ASCM 18 QXC



For accessories, see page 12

The most powerful FEIN cordless drill/driver: with brushless motor, 4-speed gearbox and removable drill chuck.

Battery voltage	V	18
Battery capacity	Ah	2,5
Motor		brushless
Gearbox		4-speed
Speed, no load	rpm	400 / 800 / 1 950 / 3 850
Max. torque (hard/soft)	Nm	85 / 38
Torque levels		15 + 1
Drill chuck clamping width	mm	1,5 - 13
Fastening		10 x 400 mm
Capacity in steel Ø	mm	13
Capacity in wood Ø	mm	50
Weight with battery	kg	1,7
Part number		7 116 08 61 00 0
EAN		4014586874166

FEIN benefits:

- ▶ 4-speed solid metal gearbox.
- ▶ Brushless FEIN PowerDrive motor with 30% higher efficiency.
- ▶ Lithium ion storage battery with FEIN SafetyCell Technology. A separate communication cable protects the battery and tool from overload.
- ▶ 3-year FEIN PLUS warranty including battery and charger.
- ▶ Removable solid metal drill chuck / bit holder.
- ▶ Electronic torque setting.
- ▶ Motor and electronics have full dust protection.
- ▶ 900 screw connections with one battery charge.
- ▶ Fixes 10 x 400 mm screws without pre-drilling.
- ▶ High speeds for fast, precise drilling.
- ▶ High torques up to 90 Nm.
- ▶ Carbide-tipped clamping jaws are a highly reliable way to hold round drill shafts.
- ▶ Bit holder takes C 6.3 and E 6.3 bits.
- ▶ Magnetic bit holder with high-quality neodymium magnet.

Price includes:

1 cordless drill/driver, 2 battery packs (Li-ion), 1 rapid charger ALG 50, 1 handle, 1 removable drill chuck / separate bit holder, 1 plastic carrying case

ASCM 18 QX Select



For accessories, see page 12

The most powerful FEIN cordless drill/driver: with brushless motor, 4-speed gearbox and removable drill chuck.

Battery voltage	V	18
Motor		brushless
Gearbox		4-speed
Speed, no load	rpm	400 / 800 / 1 950 / 3 850
Max. torque (hard/soft)	Nm	90 / 46
Torque levels		15 + 1
Drill chuck clamping width	mm	1,5 - 13
Fastening		10 x 400 mm
Capacity in steel Ø	mm	13
Capacity in wood Ø	mm	50
Part number		7 116 04 62 00 0
EAN		4014586881577

FEIN benefits:

- ▶ 4-speed solid metal gearbox.
- ▶ Brushless FEIN PowerDrive motor with 30% higher efficiency.
- ▶ Lithium ion storage battery with FEIN SafetyCell Technology. A separate communication cable protects the battery and tool from overload.
- ▶ 3-year FEIN PLUS warranty including battery and charger.
- ▶ Removable solid metal drill chuck / bit holder.
- ▶ Electronic torque setting.
- ▶ Motor and electronics have full dust protection.
- ▶ 1800 screw connections with one battery charge.
- ▶ Fixes 10 x 400 mm screws without pre-drilling.
- ▶ High torques up to 90 Nm.
- ▶ Carbide-tipped clamping jaws are a highly reliable way to hold round drill shafts.
- ▶ Bit holder takes C 6.3 and E 6.3 bits.
- ▶ Magnetic bit holder with high-quality neodymium magnet.

Price includes:

1 cordless drill/driver, 1 handle, 1 removable drill chuck / separate bit holder, 1 plastic carrying case



ASCM 18

The most powerful FEIN cordless drill/driver: with brushless motor and 4-speed gearbox.



For accessories, see page 12

Battery voltage	V	18
Battery capacity	Ah	5
Motor		brushless
Gearbox		4-speed
Speed, no load	rpm	400 / 800 / 1 950 / 3 850
Max. torque (hard/soft)	Nm	90 / 46
Torque levels		15 + 1
Drill chuck clamping width	mm	1,5 - 13
Fastening		10 x 400 mm
Capacity in steel Ø	mm	13
Capacity in wood Ø	mm	50
Weight with battery	kg	2,2
Part number		7 116 03 61 00 0
EAN		4014586873916

FEIN benefits:

- ▶ 4-speed solid metal gearbox.
- ▶ Brushless FEIN PowerDrive motor with 30% higher efficiency.
- ▶ Lithium ion storage battery with FEIN SafetyCell Technology. A separate communication cable protects the battery and tool from overload.
- ▶ 3-year FEIN PLUS warranty including battery and charger.
- ▶ Solid metal quick-clamping drill chuck.
- ▶ Electronic torque setting.
- ▶ Motor and electronics have full dust protection.
- ▶ 1800 screw connections with one battery charge.
- ▶ Fixes 10 x 400 mm screws without pre-drilling.
- ▶ High speeds for fast, precise drilling.
- ▶ High torques up to 90 Nm.
- ▶ Carbide-tipped clamping jaws are a highly reliable way to hold round drill shafts.

Price includes:

1 cordless drill/driver, 2 battery packs (Li-ion), 1 rapid charger ALG 50, 1 handle, 1 plastic carrying case

ASCM 18 C

The most powerful FEIN cordless drill/driver: with brushless motor and 4-speed gearbox.



For accessories, see page 12

Battery voltage	V	18
Battery capacity	Ah	2,5
Motor		brushless
Gearbox		4-speed
Speed, no load	rpm	400 / 800 / 1 950 / 3 850
Max. torque (hard/soft)	Nm	85 / 38
Torque levels		15 + 1
Drill chuck clamping width	mm	1,5 - 13
Fastening		10 x 400 mm
Capacity in steel Ø	mm	13
Capacity in wood Ø	mm	50
Weight with battery	kg	2,0
Part number		7 116 07 61 00 0
EAN		4014586874111

FEIN benefits:

- ▶ 4-speed solid metal gearbox.
- ▶ Brushless FEIN PowerDrive motor with 30% higher efficiency.
- ▶ Lithium ion storage battery with FEIN SafetyCell Technology. A separate communication cable protects the battery and tool from overload.
- ▶ 3-year FEIN PLUS warranty including battery and charger.
- ▶ Solid metal quick-clamping drill chuck.
- ▶ Electronic torque setting.
- ▶ Motor and electronics have full dust protection.
- ▶ 900 screw connections with one battery charge.
- ▶ Fixes 10 x 400 mm screws without pre-drilling.
- ▶ High speeds for fast, precise drilling.
- ▶ High torques up to 90 Nm.
- ▶ Carbide-tipped clamping jaws are a highly reliable way to hold round drill shafts.

Price includes:

1 cordless drill/driver, 2 battery packs (Li-ion), 1 rapid charger ALG 50, 1 handle, 1 plastic carrying case

ASCM 18 Select

The most powerful FEIN cordless drill/driver: with brushless motor and 4-speed gearbox.



For accessories, see page 12

Battery voltage	V	18
Motor		brushless
Gearbox		4-speed
Speed, no load	rpm	400 / 800 / 1 950 / 3 850
Max. torque (hard/soft)	Nm	90 / 46
Torque levels		15 + 1
Drill chuck clamping width	mm	1,5 - 13
Fastening		10 x 400 mm
Capacity in steel Ø	mm	13
Capacity in wood Ø	mm	50
Part number		7 116 03 62 00 0
EAN		4014586881713

FEIN benefits:

- ▶ 4-speed solid metal gearbox.
- ▶ Brushless FEIN PowerDrive motor with 30% higher efficiency.
- ▶ Lithium ion storage battery with FEIN SafetyCell Technology. A separate communication cable protects the battery and tool from overload.
- ▶ 3-year FEIN PLUS warranty including battery and charger.
- ▶ Solid metal quick-clamping drill chuck.
- ▶ Electronic torque setting.
- ▶ Motor and electronics have full dust protection.
- ▶ 1800 screw connections with one battery charge.
- ▶ Fixes 10 x 400 mm screws without pre-drilling.
- ▶ High speeds for fast, precise drilling.
- ▶ High torques up to 90 Nm.
- ▶ Carbide-tipped clamping jaws are a highly reliable way to hold round drill shafts.

Price includes:

1 cordless drill/driver, 1 handle, 1 plastic carrying case

ABS 18



For accessories, see page 12

The compact FEIN cordless drill/driver: light and extremely durable.

Battery voltage	V	18
Battery capacity	Ah	5
Motor		4-pole DC
Gearbox		2-speed
Speed, no load	rpm	550 / 1 600
Max. torque (hard/soft)	Nm	60 / 35
Torque levels		22 + 1
Drill chuck clamping width	mm	1,5 - 13
Fastening		8 x 300 mm
Capacity in steel Ø	mm	13
Capacity in wood Ø	mm	50
Weight with battery	kg	2,1
Part number	7 113 19 61 00 0	
EAN	4014586873497	

FEIN benefits:

- ▶ 4-pole DC motor with overload protection.
- ▶ Lithium ion storage battery with FEIN SafetyCell Technology. A separate communication cable protects the battery and tool from overload.
- ▶ Solid metal quick-clamping drill chuck.
- ▶ 3-year FEIN PLUS warranty including battery and charger.
- ▶ 2-speed solid metal gearbox.
- ▶ Compact design.
- ▶ 750 screw connections with one battery charge.
- ▶ Fixes 8 x 300 mm screws without pre-drilling.
- ▶ High torques up to 60 Nm.

Price includes:

1 cordless drill/driver, 2 battery packs (Li-ion), 1 rapid charger ALG 50, 1 plastic carrying case

ABS 18 C



For accessories, see page 12

The compact FEIN cordless drill/driver: light and extremely durable.

Battery voltage	V	18
Battery capacity	Ah	2,5
Motor		4-pole DC
Gearbox		2-speed
Speed, no load	rpm	550 / 1 600
Max. torque (hard/soft)	Nm	55 / 32
Torque levels		22 + 1
Drill chuck clamping width	mm	1,5 - 13
Fastening		8 x 300 mm
Capacity in steel Ø	mm	13
Capacity in wood Ø	mm	50
Weight with battery	kg	1,8
Part number	7 113 19 62 00 0	
EAN	4014586873541	

FEIN benefits:

- ▶ 4-pole DC motor with overload protection.
- ▶ Lithium ion storage battery with FEIN SafetyCell Technology. A separate communication cable protects the battery and tool from overload.
- ▶ Solid metal quick-clamping drill chuck.
- ▶ 3-year FEIN PLUS warranty including battery and charger.
- ▶ 2-speed solid metal gearbox.
- ▶ Compact design.
- ▶ 400 screw connections with one battery charge.
- ▶ Fixes 8 x 300 mm screws without pre-drilling.
- ▶ High torques up to 60 Nm.

Price includes:

1 cordless drill/driver, 2 battery packs (Li-ion), 1 rapid charger ALG 50, 1 plastic carrying case

ABS 18 Select

FEIN SELECT⁺



For accessories, see page 12

The compact FEIN cordless drill/driver: light and extremely durable.

Battery voltage	V	18
Motor		4-pole DC
Gearbox		2-speed
Speed, no load	rpm	550 / 1 600
Max. torque (hard/soft)	Nm	60 / 35
Torque levels		22 + 1
Drill chuck clamping width	mm	1,5 - 13
Fastening		8 x 300 mm
Capacity in steel Ø	mm	13
Capacity in wood Ø	mm	50
Part number	7 113 19 63 00 0	
EAN	4014586881478	

FEIN benefits:

- ▶ 4-pole DC motor with overload protection.
- ▶ Lithium ion storage battery with FEIN SafetyCell Technology. A separate communication cable protects the battery and tool from overload.
- ▶ Solid metal quick-clamping drill chuck.
- ▶ 3-year FEIN PLUS warranty including battery and charger.
- ▶ 2-speed solid metal gearbox.
- ▶ Compact design.
- ▶ 750 screw connections with one battery charge.
- ▶ Fixes 8 x 300 mm screws without pre-drilling.
- ▶ High torques up to 60 Nm.

Price includes:

1 cordless drill/driver, 1 plastic carrying case



ASCM 14 QX

The most powerful FEIN cordless drill/driver: with brushless motor, 4-speed gearbox and removable drill chuck.



For accessories, see page 12

Battery voltage	V	14,4
Battery capacity	Ah	5
Motor		brushless
Gearbox		4-speed
Speed, no load	rpm	400 / 800 / 1 950 / 3 850
Max. torque (hard/soft)	Nm	85 / 38
Torque levels		15 + 1
Drill chuck clamping width	mm	1,5 - 13
Fastening		8 x 300 mm
Capacity in steel Ø	mm	13
Capacity in wood Ø	mm	50
Weight with battery	kg	1,9
Part number		7 116 02 61 00 0
EAN		4014586873862

FEIN benefits:

- ▶ 4-speed solid metal gearbox.
- ▶ Brushless FEIN PowerDrive motor with 30% higher efficiency.
- ▶ Lithium ion storage battery with FEIN SafetyCell Technology. A separate communication cable protects the battery and tool from overload.
- ▶ 3-year FEIN PLUS warranty including battery and charger.
- ▶ Removable solid metal drill chuck / bit holder.
- ▶ Electronic torque setting.
- ▶ Motor and electronics have full dust protection.
- ▶ 1200 screw connections with one battery charge.
- ▶ Fixes 8 x 300 mm screws without pre-drilling.
- ▶ High speeds for fast, precise drilling.
- ▶ Carbide-tipped clamping jaws are a highly reliable way to hold round drill shafts.
- ▶ Bit holder takes C 6.3 and E 6.3 bits.
- ▶ Magnetic bit holder with high-quality neodymium magnet.

Price includes:

1 cordless drill/driver, 2 battery packs (Li-ion), 1 rapid charger ALG 50, 1 removable drill chuck / separate bit holder, 1 plastic carrying case

ASCM 14 QXC

The most powerful FEIN cordless drill/driver: with brushless motor, 4-speed gearbox and removable drill chuck.



For accessories, see page 12

Battery voltage	V	14,4
Battery capacity	Ah	2,5
Motor		brushless
Gearbox		4-speed
Speed, no load	rpm	400 / 800 / 1 950 / 3 850
Max. torque (hard/soft)	Nm	80 / 29
Torque levels		15 + 1
Drill chuck clamping width	mm	1,5 - 13
Fastening		8 x 300 mm
Capacity in steel Ø	mm	13
Capacity in wood Ø	mm	50
Weight with battery	kg	1,7
Part number		7 116 06 61 00 0
EAN		4014586874067

FEIN benefits:

- ▶ 4-speed solid metal gearbox.
- ▶ Brushless FEIN PowerDrive motor with 30% higher efficiency.
- ▶ Lithium ion storage battery with FEIN SafetyCell Technology. A separate communication cable protects the battery and tool from overload.
- ▶ 3-year FEIN PLUS warranty including battery and charger.
- ▶ Removable solid metal drill chuck / bit holder.
- ▶ Electronic torque setting.
- ▶ Motor and electronics have full dust protection.
- ▶ 600 screw connections with one battery charge.
- ▶ Fixes 8 x 300 mm screws without pre-drilling.
- ▶ High speeds for fast, precise drilling.
- ▶ Carbide-tipped clamping jaws are a highly reliable way to hold round drill shafts.
- ▶ Bit holder takes C 6.3 and E 6.3 bits.
- ▶ Magnetic bit holder with high-quality neodymium magnet.

Price includes:

1 cordless drill/driver, 2 battery packs (Li-ion), 1 rapid charger ALG 50, 1 removable drill chuck / separate bit holder, 1 plastic carrying case

ASCM 14

The most powerful FEIN cordless drill/driver: with brushless motor and 4-speed gearbox.



For accessories, see page 12

Battery voltage	V	14,4
Battery capacity	Ah	5
Motor		brushless
Gearbox		4-speed
Speed, no load	rpm	400 / 800 / 1 950 / 3 850
Max. torque (hard/soft)	Nm	85 / 38
Torque levels		15 + 1
Drill chuck clamping width	mm	1,5 - 13
Fastening		8 x 300 mm
Capacity in steel Ø	mm	13
Capacity in wood Ø	mm	50
Weight with battery	kg	2,1
Part number		7 116 01 61 00 0
EAN		4014586873817

FEIN benefits:

- ▶ 4-speed solid metal gearbox.
- ▶ Brushless FEIN PowerDrive motor with 30% higher efficiency.
- ▶ Lithium ion storage battery with FEIN SafetyCell Technology. A separate communication cable protects the battery and tool from overload.
- ▶ 3-year FEIN PLUS warranty including battery and charger.
- ▶ Solid metal quick-clamping drill chuck.
- ▶ Electronic torque setting.
- ▶ Motor and electronics have full dust protection.
- ▶ 1200 screw connections with one battery charge.
- ▶ Fixes 8 x 300 mm screws without pre-drilling.
- ▶ High speeds for fast, precise drilling.
- ▶ Carbide-tipped clamping jaws are a highly reliable way to hold round drill shafts.

Price includes:

1 cordless drill/driver, 2 battery packs (Li-ion), 1 rapid charger ALG 50, 1 plastic carrying case

ASCM 14 C



For accessories, see page 12

The most powerful FEIN cordless drill/driver: with brushless motor and 4-speed gearbox.

Battery voltage	V	14,4
Battery capacity	Ah	2,5
Motor		brushless
Gearbox		4-speed
Speed, no load	rpm	400 / 800 / 1 950 / 3 850
Max. torque (hard/soft)	Nm	80 / 29
Torque levels		15 + 1
Drill chuck clamping width	mm	1,5 - 13
Fastening		8 x 300 mm
Capacity in steel Ø	mm	13
Capacity in wood Ø	mm	50
Weight with battery	kg	1,9
Part number		7 116 05 61 00 0
EAN		4014586874012

FEIN benefits:

- ▶ 4-speed solid metal gearbox.
- ▶ Brushless FEIN PowerDrive motor with 30% higher efficiency.
- ▶ Lithium ion storage battery with FEIN SafetyCell Technology. A separate communication cable protects the battery and tool from overload.
- ▶ 3-year FEIN PLUS warranty including battery and charger.
- ▶ Solid metal quick-clamping drill chuck.
- ▶ Electronic torque setting.
- ▶ Motor and electronics have full dust protection.
- ▶ 600 screw connections with one battery charge.
- ▶ Fixes 8 x 300 mm screws without pre-drilling.
- ▶ High speeds for fast, precise drilling.
- ▶ Carbide-tipped clamping jaws are a highly reliable way to hold round drill shafts.

Price includes:

1 cordless drill/driver, 2 battery packs (Li-ion), 1 rapid charger ALG 50, 1 plastic carrying case

ABS 14



For accessories, see page 12

The compact FEIN cordless drill/driver: light and extremely durable.

Battery voltage	V	14,4
Battery capacity	Ah	4
Motor		4-pole DC
Gearbox		2-speed
Speed, no load	rpm	450 / 1 600
Max. torque (hard/soft)	Nm	55 / 30
Torque levels		22 + 1
Drill chuck clamping width	mm	1,5 - 13
Fastening		8 x 200 mm
Capacity in steel Ø	mm	13
Capacity in wood Ø	mm	35
Weight with battery	kg	2,0
Part number		7 113 18 61 00 0
EAN		4014586873398

FEIN benefits:

- ▶ 4-pole DC motor with overload protection.
- ▶ Lithium ion storage battery with FEIN SafetyCell Technology. A separate communication cable protects the battery and tool from overload.
- ▶ Solid metal quick-clamping drill chuck.
- ▶ 3-year FEIN PLUS warranty including battery and charger.
- ▶ 2-speed solid metal gearbox.
- ▶ Compact design.
- ▶ 600 screw connections with one battery charge.
- ▶ Fixes 8 x 200 mm screws without pre-drilling.
- ▶ High torques up to 55 Nm.

Price includes:

1 cordless drill/driver, 2 battery packs (Li-ion), 1 rapid charger ALG 50, 1 plastic carrying case

ABS 14 C



For accessories, see page 12

The compact FEIN cordless drill/driver: light and extremely durable.

Battery voltage	V	14,4
Battery capacity	Ah	2
Motor		4-pole DC
Gearbox		2-speed
Speed, no load	rpm	450 / 1 600
Max. torque (hard/soft)	Nm	50 / 27
Torque levels		22 + 1
Drill chuck clamping width	mm	1,5 - 13
Fastening		8 x 200 mm
Capacity in steel Ø	mm	13
Capacity in wood Ø	mm	35
Weight with battery	kg	1,8
Part number		7 113 18 62 00 0
EAN		4014586873442

FEIN benefits:

- ▶ 4-pole DC motor with overload protection.
- ▶ Lithium ion storage battery with FEIN SafetyCell Technology. A separate communication cable protects the battery and tool from overload.
- ▶ Solid metal quick-clamping drill chuck.
- ▶ 3-year FEIN PLUS warranty including battery and charger.
- ▶ 2-speed solid metal gearbox.
- ▶ Compact design.
- ▶ 300 screw connections with one battery charge.
- ▶ Fixes 8 x 200 mm screws without pre-drilling.
- ▶ High torques up to 55 Nm.

Price includes:

1 cordless drill/driver, 2 battery packs (Li-ion), 1 rapid charger ALG 50, 1 plastic carrying case



ASCM 12 C

New 2016



For accessories, see page 12

The most powerful 12 V cordless drill/driver with brushless motor, 4-speed gearbox and removable drill chuck.

Battery voltage	V	12
Battery capacity	Ah	2,5
Motor		brushless
Gearbox		4-speed
Speed, no load	rpm	400 / 700 / 1 400 / 2 500
Max. torque (hard/soft)	Nm	40 / 20
Torque levels		20 + 1
Drill chuck clamping width	mm	1,5 - 13
Fastening		8 x 200 mm
Capacity in steel Ø	mm	13
Capacity in wood Ø	mm	40
Weight with battery	kg	1,1
Part number		7 116 10 61 00 0
EAN		4014586881447

FEIN benefits:

- ▶ Brushless FEIN PowerDrive motor, powerful and maintenance-free for maximum efficiency and service life.
- ▶ Solid metal removable drill chuck for excellent load handling under the toughest conditions.
- ▶ The optimum cutting speed for any drill diameter thanks to 4-speed solid metal gearbox.
- ▶ Speed 4 for drilling 6 mm in metal at 2500 rpm.
- ▶ Speed 1 for powerful thread cutting.
- ▶ Optimum speeds for self-drilling screws.
- ▶ Speeds can be easily metered for work with stepped drill bit.
- ▶ Drill chuck with spindle lock and chucking force safety device.
- ▶ Compact 150 mm length (without drill chuck).
- ▶ 2.5 Ah battery capacity for up to 400 screw connections (5x 40 mm).
- ▶ FEIN SafetyCell technology. Protects the battery and tool from overload, overheating and total discharge.
- ▶ The battery charge can be read off the battery.
- ▶ Includes belt holder and magnetic bit holder.
- ▶ Bright LED light on housing.
- ▶ One charger for all FEIN Li-ion batteries of all voltage classes.

Price includes:

1 cordless drill/driver, 2 battery packs (Li-ion), 1 rapid charger ALG 50, 1 belt clip, 1 bit holder, 1 plastic carrying case

ABSU 12 C

New 2016



For accessories, see page 12

Powerful and light cordless drill/driver with fixed drill chuck.

Battery voltage	V	12
Battery capacity	Ah	2,5
Motor		2-pole DC
Gearbox		2-speed
Speed, no load	rpm	400 / 1 300
Max. torque (hard/soft)	Nm	30 / 16
Torque levels		17 + 1
Drill chuck clamping width	mm	1 - 10
Fastening		6 x 200 mm
Capacity in steel Ø	mm	10
Capacity in wood Ø	mm	30
Weight with battery	kg	1,2
Part number		7 113 20 61 00 0
EAN		4014586881485

FEIN benefits:

- ▶ Powerful and long-life DC motor with overheating and overload protection.
- ▶ Robust solid metal drill chuck with chucking force safety device.
- ▶ Short design of 180 mm.
- ▶ Perfect for use with stepped drill bit, e.g. for drilling initial holes in sheet metals.
- ▶ 17 torque levels – force can be easily metered up to 30 Nm for tough screw connections.
- ▶ 2-speed solid metal gearbox.
- ▶ Bright LED light on housing.
- ▶ 2.5 Ah battery capacity for up to 350 screw connections (5 x 40 mm).
- ▶ FEIN SafetyCell technology. Protects the battery and tool from overload, overheating and total discharge.
- ▶ The battery charge can be read off the battery.
- ▶ Includes belt holder and magnetic bit holder.
- ▶ One charger for all FEIN Li-ion batteries of all voltage classes.

Price includes:

1 cordless drill/driver, 2 battery packs (Li-ion), 1 belt clip, 1 bit holder, 1 rapid charger ALG 50, 1 plastic carrying case

ABSU 12 W4C

New 2016



For accessories, see page 12

Compact cordless drill/driver with outstanding ergonomics and extremely short design.

Battery voltage	V	12
Battery capacity	Ah	2,5
Motor		2-pole DC
Gearbox		2-speed
Speed, no load	rpm	400 / 1 300
Max. torque (hard/soft)	Nm	30 / 16
Torque levels		17 + 1
Fastening		6 x 200 mm
Tool Holder		1/4" hexagonal holder
Weight with battery	kg	1,1
Part number		7 113 21 61 00 0
EAN		4014586881539

FEIN benefits:

- ▶ Powerful and long-life DC motor with overheating and overload protection.
- ▶ Perfectly suited to all installation work and occasional drilling.
- ▶ Very short design of 155 mm.
- ▶ 1/4" hexagonal holder.
- ▶ 17 torque levels – force can be easily metered up to 30 Nm for tough screw connections.
- ▶ 2-speed solid metal gearbox.
- ▶ Bright LED light on housing.
- ▶ 2.5 Ah battery capacity for up to 350 screw connections (5 x 40 mm).
- ▶ FEIN SafetyCell technology. Protects the battery and tool from overload, overheating and total discharge.
- ▶ The battery charge can be read off the battery.
- ▶ Includes belt holder and magnetic bit holder.
- ▶ One charger for all FEIN Li-ion batteries of all voltage classes.

Price includes:

1 cordless drill/driver, 2 battery packs (Li-ion), 1 belt clip, 1 bit holder, 1 rapid charger ALG 50, 1 plastic carrying case

General accessories



Cordless ALED 12-18 V LED lamp
Compact and durable cordless LED lamp with swivel-mounted lamp head. Compatible with all 12 / 14 / 18 V FEIN Li-ion batteries, including hook for attaching the lamp. Extremely lightweight at 130 g and very bright at 900 Lux. Colour temperature is the equivalent of daylight. The brightness can be set to 2 levels.

Part number
9 26 04 200 02 0



Tool case
Plastic, inner dimensions: 470 x 275 x 116 mm

Part number
3 39 01 118 01 0



Tool case
Suitable for ABSU 12, ASCD 12, ASCM 12

Part number
3 39 01 160 01 0



Plastic tool cases
Suitable for ABS 14/18, ASB 14/18, ASCD 18

Part number
3 39 01 141 01 0



Plastic box
Box insert with lockable lid for small parts and accessories, suitable for tool box 3 39 01 118 01 0, max 5 items/box.

Part number
3 39 01 119 00 0



Quick charger ALG 50
For all FEIN Li-ion batteries. Charge time from 35 min.

Part number
9 26 04 129 01 0



Quick charger ALG 30
For FEIN NiCd and Li-ion batteries. Charge time from 25 min.

Part number
9 26 04 096 01 0



Tool holder 1/4" external hexagon
1/4" Drive-Hex Socket with quick-change chuck

Ø mm	L mm	Part number
15	51	6 05 10 011 00 9

18 V battery



Battery pack
Li-ion with charge indicator

Current/ Voltages V	Capacity Ah	Part number
18	5	9 26 04 173 02 0
18	2,5	9 26 04 171 02 0
18	4	9 26 04 165 02 0
18	2	9 26 04 161 02 0



Battery starter set
Very durable, light 18 V Li-ion batteries with innovative SafetyCell technology, 4Ah capacity and charge indicator.

Current/ Voltages V	Capacity Ah	Part number
18	4	9 26 04 300 02 0



Battery starter set
Durable, light 18 V Li-ion batteries with innovative SafetyCell technology, 2Ah capacity and charge indicator.

Current/ Voltages V	Capacity Ah	Part number
18	2	9 26 04 300 01 0

14.4 V battery



Battery pack
Li-ion with charge indicator

Current/ Voltages V	Capacity Ah	Part number
14,4	5	9 26 04 172 02 0
14,4	2,5	9 26 04 170 02 0
14,4	4	9 26 04 164 02 0
14,4	2	9 26 04 160 02 0

12 V battery



Battery pack
Li-ion with charge indicator

Current/ Voltages V	Capacity Ah	Part number
12	2,5	9 26 04 168 02 0

Other accessories



Drill chuck
ASCM 14 QX/QXC, ASCM 18 QX/QXC

Part number
6 32 08 001 02 0



Bit holder
ASCM 14 QX/QXC, ASCM 18 QX/QXC

Part number
6 05 10 219 01 0

Drill chuck
ASCM 12 C

Part number
6 32 08 002 01 0



	ASB 18	ASB 18 C	ASB 18 Select	ASB 14	ASB 14 C
	The universal FEIN cordless drill/driver: for demanding drilling and screw connections in all materials.				
Page	14	14	14	15	15
Technical features					
Battery voltage (V)	18	18	18	14,4	14,4
Battery capacity (Ah)	4	2		4	2
Motor	4-pole DC	4-pole DC	4-pole DC	4-pole DC	4-pole DC
Gearbox	2-speed	2-speed	2-speed	2-speed	2-speed
Impacts (rpm)	9 350 / 29 000	9 350 / 29 000	9 350 / 29 000	9 350 / 27 200	9 350 / 27 200
Max. torque (hard/soft)	60 / 35	55 / 32	60 / 35	55 / 30	50 / 27
Torque levels	22 + 1	22 + 1	22 + 1	22 + 1	22 + 1
Capacity in stone Ø (mm)	14	14	14	13	13
Capacity in steel Ø (mm)	13	13	13	13	13
Capacity in wood Ø (mm)	50	50	50	35	35
Weight with battery (kg)	2,2	2,0		2,1	1,9

ASB 18



For accessories, see page 16

The universal FEIN cordless drill/driver: for demanding drilling and screw connections in all materials.

Battery voltage	V	18
Battery capacity	Ah	4
Motor		4-pole DC
Gearbox		2-speed
Speed, no load	rpm	550 / 1 600
Impacts	rpm	9 350 / 29 000
Max. torque (hard/soft)	Nm	60 / 35
Torque levels		22 + 1
Drill chuck clamping width	mm	1,5 - 13
Fastening		8 x 300 mm
Capacity in steel Ø	mm	13
Capacity in wood Ø	mm	50
Capacity in stone Ø	mm	14
Weight with battery	kg	2,2
Part number		7 104 06 61 00 0
EAN		4014586873299

FEIN benefits:

- ▶ 4-pole DC motor with overload protection.
- ▶ Lithium ion storage battery with FEIN SafetyCell Technology. A separate communication cable protects the battery and tool from overload.
- ▶ Solid metal quick-clamping drill chuck.
- ▶ 3-year FEIN PLUS warranty including battery and charger.
- ▶ 2-speed solid metal gearbox.
- ▶ Compact design.
- ▶ Striking mechanism.
- ▶ 750 screw connections with one battery charge.
- ▶ Fixes 8 x 300 mm screws without pre-drilling.
- ▶ High torques up to 60 Nm.

Price includes:

- 1 cordless hammer drill/driver, 2 battery packs (Li-ion), 1 rapid charger ALG 50, 1 plastic carrying case

ASB 18 C



For accessories, see page 16

The universal FEIN cordless drill/driver: for demanding drilling and screw connections in all materials.

Battery voltage	V	18
Battery capacity	Ah	2
Motor		4-pole DC
Gearbox		2-speed
Speed, no load	rpm	550 / 1 600
Impacts	rpm	9 350 / 29 000
Max. torque (hard/soft)	Nm	55 / 32
Torque levels		22 + 1
Drill chuck clamping width	mm	1,5 - 13
Fastening		8 x 300 mm
Capacity in steel Ø	mm	13
Capacity in wood Ø	mm	50
Capacity in stone Ø	mm	14
Weight with battery	kg	2,0
Part number		7 104 06 62 00 0
EAN		4014586873343

FEIN benefits:

- ▶ 4-pole DC motor with overload protection.
- ▶ Lithium ion storage battery with FEIN SafetyCell Technology. A separate communication cable protects the battery and tool from overload.
- ▶ Solid metal quick-clamping drill chuck.
- ▶ 3-year FEIN PLUS warranty including battery and charger.
- ▶ 2-speed solid metal gearbox.
- ▶ Compact design.
- ▶ Striking mechanism.
- ▶ 400 screw connections with one battery charge.
- ▶ Fixes 8 x 300 mm screws without pre-drilling.
- ▶ High torques up to 60 Nm.

Price includes:

- 1 cordless hammer drill/driver, 2 battery packs (Li-ion), 1 rapid charger ALG 50, 1 plastic carrying case

ASB 18 Select



For accessories, see page 16

The universal FEIN cordless drill/driver: for demanding drilling and screw connections in all materials.

Battery voltage	V	18
Motor		4-pole DC
Gearbox		2-speed
Speed, no load	rpm	550 / 1 600
Impacts	rpm	9 350 / 29 000
Max. torque (hard/soft)	Nm	60 / 35
Torque levels		22 + 1
Drill chuck clamping width	mm	1,5 - 13
Fastening		8 x 300 mm
Capacity in steel Ø	mm	13
Capacity in wood Ø	mm	50
Capacity in stone Ø	mm	14
Part number		7 104 06 63 00 0
EAN		4014586881454

FEIN benefits:

- ▶ 4-pole DC motor with overload protection.
- ▶ Lithium ion storage battery with FEIN SafetyCell Technology. A separate communication cable protects the battery and tool from overload.
- ▶ Solid metal quick-clamping drill chuck.
- ▶ 3-year FEIN PLUS warranty including battery and charger.
- ▶ 2-speed solid metal gearbox.
- ▶ Compact design.
- ▶ Striking mechanism.
- ▶ 750 screw connections with one battery charge.
- ▶ Fixes 8 x 300 mm screws without pre-drilling.
- ▶ High torques up to 60 Nm.

Price includes:

- 1 cordless hammer drill/driver, 1 plastic carrying case



ASB 14



For accessories, see page 16

The universal FEIN cordless drill/driver: for demanding drilling and screw connections in all materials.

Battery voltage	V	14,4
Battery capacity	Ah	4
Motor		4-pole DC
Gearbox		2-speed
Speed, no load	rpm	450 / 1 600
Impacts	rpm	9 350 / 27 200
Max. torque (hard/soft)	Nm	55 / 30
Torque levels		22 + 1
Drill chuck clamping width	mm	1,5 - 13
Fastening		8 x 200 mm
Capacity in steel Ø	mm	13
Capacity in wood Ø	mm	35
Capacity in stone Ø	mm	13
Weight with battery	kg	2,1
Part number		7 104 05 61 00 0
EAN		4014586873190

FEIN benefits:

- ▶ 4-pole DC motor with overload protection.
- ▶ Lithium ion storage battery with FEIN SafetyCell Technology. A separate communication cable protects the battery and tool from overload.
- ▶ Solid metal quick-clamping drill chuck.
- ▶ 3-year FEIN PLUS warranty including battery and charger.
- ▶ 2-speed solid metal gearbox.
- ▶ Compact design.
- ▶ Striking mechanism.
- ▶ 600 screw connections with one battery charge.
- ▶ Fixes 8 x 200 mm screws without pre-drilling.
- ▶ High torques up to 55 Nm.

Price includes:

1 cordless hammer drill/driver, 2 battery packs (Li-ion),
1 rapid charger ALG 50, 1 plastic carrying case

ASB 14 C



For accessories, see page 16

The universal FEIN cordless drill/driver: for demanding drilling and screw connections in all materials.

Battery voltage	V	14,4
Battery capacity	Ah	2
Motor		4-pole DC
Gearbox		2-speed
Speed, no load	rpm	450 / 1 600
Impacts	rpm	9 350 / 27 200
Max. torque (hard/soft)	Nm	50 / 27
Torque levels		22 + 1
Drill chuck clamping width	mm	1,5 - 13
Fastening		8 x 200 mm
Capacity in steel Ø	mm	13
Capacity in wood Ø	mm	35
Capacity in stone Ø	mm	13
Weight with battery	kg	1,9
Part number		7 104 05 62 00 0
EAN		4014586873244

FEIN benefits:

- ▶ 4-pole DC motor with overload protection.
- ▶ Lithium ion storage battery with FEIN SafetyCell Technology. A separate communication cable protects the battery and tool from overload.
- ▶ Solid metal quick-clamping drill chuck.
- ▶ 3-year FEIN PLUS warranty including battery and charger.
- ▶ 2-speed solid metal gearbox.
- ▶ Compact design.
- ▶ Striking mechanism.
- ▶ 300 screw connections with one battery charge.
- ▶ Fixes 8 x 200 mm screws without pre-drilling.
- ▶ High torques up to 55 Nm.

Price includes:

1 cordless hammer drill/driver, 2 battery packs (Li-ion),
1 rapid charger ALG 50, 1 plastic carrying case

General accessories



Cordless ALED 12-18 V LED lamp
Compact and durable cordless LED lamp with swivel-mounted lamp head. Compatible with all 12 / 14 / 18 V FEIN Li-ion batteries, including hook for attaching the lamp. Extremely lightweight at 130 g and very bright at 900 Lux. Colour temperature is the equivalent of daylight. The brightness can be set to 2 levels.

Part number
9 26 04 200 02 0



Tool case
Plastic, inner dimensions: 470 x 275 x 116 mm

Part number
3 39 01 118 01 0



Plastic tool cases
Suitable for ABS 14/18, ASB 14/18, ASCD 18

Part number
3 39 01 141 01 0



Plastic box
Box insert with lockable lid for small parts and accessories, suitable for tool box 3 39 01 118 01 0, max 5 items/box.

Part number
3 39 01 119 00 0



Quick charger ALG 50
For all FEIN Li-ion batteries. Charge time from 35 min.

Part number
9 26 04 129 01 0



Quick charger ALG 30
For FEIN NiCd and Li-ion batteries. Charge time from 25 min.

Part number
9 26 04 096 01 0



Tool holder 1/4" external hexagon
1/4" Drive-Hex Socket with quick-change chuck

Ø	L	Part number
mm	mm	
15	51	6 05 10 011 00 9

18 V battery



Battery pack
Li-ion with charge indicator

Current/ Voltages V	Capacity Ah	Part number
18	5	9 26 04 173 02 0
18	2,5	9 26 04 171 02 0
18	4	9 26 04 165 02 0
18	2	9 26 04 161 02 0



Battery starter set
Very durable, light 18 V Li-ion batteries with innovative SafetyCell technology, 4Ah capacity and charge indicator.

Current/ Voltages V	Capacity Ah	Part number
18	4	9 26 04 300 02 0



Battery starter set
Durable, light 18 V Li-ion batteries with innovative SafetyCell technology, 2Ah capacity and charge indicator.

Current/ Voltages V	Capacity Ah	Part number
18	2	9 26 04 300 01 0

14.4 V battery



Battery pack
Li-ion with charge indicator

Current/ Voltages V	Capacity Ah	Part number
14,4	5	9 26 04 172 02 0
14,4	2,5	9 26 04 170 02 0
14,4	4	9 26 04 164 02 0
14,4	2	9 26 04 160 02 0

12 V battery



Battery pack
Li-ion with charge indicator

Current/ Voltages V	Capacity Ah	Part number
12	2,5	9 26 04 168 02 0



	ASCT 14	ASCT 14 M	ASCT 18	ASCT 18 M	
	Light and ergonomic cordless drywall screw gun with outstanding service life.	Lightweight autofeed screwdriver for more than 2,000 repeated screw fittings per battery charge.	Very powerful cordless drywall screw gun with outstanding service life.	Powerful autofeed screwdriver for more than 2,300 repeated screw fittings per battery charge.	
Page	18	18	19	19	
Technical features	Battery voltage (V)	14,4	14,4	18	18
	Battery capacity (Ah)	5	5	5	5
	Speed, no load (rpm)	0-4 000	0-4 000	0-4 000	0-4 000
	Max. torque (hard/soft) (Nm)	14/7	14/7	14/7	14/7
	Screw Ø (mm)	4,2	4,2	4,2	4,2
	Rapid change chuck	1/4"	1/4"	1/4"	1/4"
	Weight with battery (kg)	1,7	2,1	1,7	2,2

ASCT 14

Light and ergonomic cordless drywall screw gun with outstanding service life.



For accessories, see page 20
For mains variant of tool, see page 83

Battery voltage	V	14,4
Battery capacity	Ah	5
Speed, full load	rpm	0-2 700
Speed, no load	rpm	0-4 000
Max. torque (hard/soft)	Nm	14/7
Weight with battery	kg	1,7
Screw Ø	mm	4,2
Rapid change chuck		1/4"
Part number	7 113 14 61 00 0	
EAN	4014586870281	

FEIN benefits:

- ▶ Suited to all screwdriving applications in drywall construction, including high-strength chipboard and hard sheets of drywall.
- ▶ Low weight and perfect weight distribution for fatigue-free working.
- ▶ Maintenance-free, brush-free and highly-effective EC motor.
- ▶ One of the lightest screwdrivers in its class.
- ▶ Rapid charger for continuous working without interruption.
- ▶ 2,000 charge cycles per battery pack.
- ▶ Market-leading ergonomics with FEIN Sensitive handle.
- ▶ Quiet and vibration-free cut-off with FEIN CLIC-STOP clutch.
- ▶ Rapid changeover to collated strip magazine.
- ▶ Easily adjustable and replaceable depth stop.
- ▶ Dustproof stop sleeve.

Price includes:

1 battery charger, 2 battery packs (Li-ion), 1 bit with dust protection ring, 1 bit holder, 1 depth stop, 1 hook, 1 belt clip, 1 plastic carrying case

ASCT 14 M

Lightweight autofeed screwdriver for more than 2,000 repeated screw fittings per battery charge.



For accessories, see page 20
For mains variant of tool, see page 83

Battery voltage	V	14,4
Battery capacity	Ah	5
Speed, full load	rpm	0-2 700
Speed, no load	rpm	0-4 000
Max. torque (hard/soft)	Nm	14/7
Weight with battery	kg	2,1
Screw Ø	mm	4,2
Screw length	mm	25-55
Rapid change chuck		1/4"
Part number	7 113 14 62 00 0	
EAN	4014586870748	

FEIN benefits:

- ▶ Suited to all screwdriving applications in drywall construction, including high-strength chipboard and hard sheets of drywall.
- ▶ Low weight and perfect weight distribution for fatigue-free working.
- ▶ Maintenance-free, brush-free and highly-effective EC motor.
- ▶ Rapid charger for continuous working without interruption.
- ▶ 2,000 charge cycles per battery pack.
- ▶ Quiet and vibration-free cut-off with FEIN CLIC-STOP clutch.
- ▶ The particularly dust-resistant magazine can be inserted and removed without the use of tools and is easy to clean.
- ▶ Market-leading ergonomics with FEIN Sensitive handle.
- ▶ Easily adjustable and replaceable depth stop.
- ▶ Dustproof stop sleeve.

Price includes:

1 plastic carrying case, 1 battery charger, 2 battery packs (Li-ion), 1 Collated cartridge for collated screws, 1 long bit for magazine screw connections, 1 bit with dust protection ring, 1 bit holder, 1 depth stop, 1 hook, 1 belt clip



ASCT 18

Very powerful cordless drywall screw gun with outstanding service life.



For accessories, see page 20
For mains variant of tool, see page 83

Battery voltage	V	18
Battery capacity	Ah	5
Speed, full load	rpm	0-2 700
Speed, no load	rpm	0-4 000
Max. torque (hard/soft)	Nm	14/7
Weight with battery	kg	1,7
Screw Ø	mm	4,2
Rapid change chuck		1/4"
Part number	7 113 16 61 00 0	
EAN	4014586870298	

FEIN benefits:

- ▶ Suited to all screwdriving applications in drywall construction, including high-strength chipboard and hard sheets of drywall.
- ▶ Low weight and perfect weight distribution for fatigue-free working.
- ▶ Maintenance-free, brush-free and highly-effective EC motor.
- ▶ One of the lightest screwdrivers in its class.
- ▶ Rapid charger for continuous working without interruption.
- ▶ 2,000 charge cycles per battery pack.
- ▶ Market-leading ergonomics with FEIN Sensitive handle.
- ▶ Quiet and vibration-free cut-off with FEIN CLIC-STOP clutch.
- ▶ Rapid changeover to collated strip magazine.
- ▶ Easily adjustable and replaceable depth stop.
- ▶ Dustproof stop sleeve.

Price includes:

1 plastic carrying case, 1 battery charger, 2 battery packs (Li-ion), 1 bit with dust protection ring, 1 bit holder, 1 depth stop, 1 hook, 1 belt clip

ASCT 18 M

Powerful autofeed screwdriver for more than 2,300 repeated screw fittings per battery charge.



For accessories, see page 20
For mains variant of tool, see page 83

Battery voltage	V	18
Battery capacity	Ah	5
Speed, full load	rpm	0-2 700
Speed, no load	rpm	0-4 000
Max. torque (hard/soft)	Nm	14/7
Weight with battery	kg	2,2
Screw Ø	mm	4,2
Screw length	mm	25-55
Rapid change chuck		1/4"
Part number	7 113 16 62 00 0	
EAN	4014586870793	

FEIN benefits:

- ▶ Suited to all screwdriving applications in drywall construction, including high-strength chipboard and hard sheets of drywall.
- ▶ Low weight and perfect weight distribution for fatigue-free working.
- ▶ Maintenance-free, brush-free and highly-effective EC motor.
- ▶ One of the lightest screwdrivers in its class.
- ▶ Rapid charger for continuous working without interruption.
- ▶ 2,000 charge cycles per battery pack.
- ▶ Quiet and vibration-free cut-off with FEIN CLIC-STOP clutch.
- ▶ The particularly dust-resistant magazine can be inserted and removed without the use of tools and is easy to clean.
- ▶ Market-leading ergonomics with FEIN Sensitive handle.
- ▶ Easily adjustable and replaceable depth stop.
- ▶ Dustproof stop sleeve.

Price includes:

1 plastic carrying case, 1 battery charger, 2 battery packs (Li-ion), 1 Collated cartridge for collated screws, 1 long bit for magazine screw connections, 1 bit with dust protection ring, 1 bit holder, 1 depth stop, 1 hook, 1 belt clip

General accessories



Tool case
Plastic, inner dimensions: 470 x 275 x 116 mm

Part number
3 39 01 118 01 0



Plastic box
Box insert with lockable lid for small parts and accessories, suitable for tool box 3 39 01 118 01 0, max 5 items/box.

Part number
3 39 01 119 00 0



Quick charger ALG 50
For all FEIN Li-ion batteries. Charge time from 35 min.

Part number
9 26 04 129 01 0



Quick charger ALG 30
For FEIN NiCd and Li-ion batteries. Charge time from 25 min.

Part number
9 26 04 096 01 0



Tool holder 1/4" external hexagon
1/4" Drive-Hex Socket with quick-change chuck

Ø mm	L mm	Part number
15	51	6 05 10 011 00 9



Bits 1/4" Hex socket
Form H/Phillips (pack of 5) extra hard, with dust protection ring

Size	L mm	Part number
2	25	6 27 12 109 03 4

18 V battery



Battery pack
Li-ion with charge indicator

Current/Voltages V	Capacity Ah	Part number
18	5	9 26 04 173 02 0
18	2,5	9 26 04 171 02 0
18	4	9 26 04 165 02 0
18	2	9 26 04 161 02 0

14.4 V battery



Battery pack
Li-ion with charge indicator

Current/Voltages V	Capacity Ah	Part number
14,4	5	9 26 04 172 02 0
14,4	2,5	9 26 04 170 02 0
14,4	4	9 26 04 164 02 0
14,4	2	9 26 04 160 02 0

Accessories for autofeed screwdrivers



M55 X magazine
for collated screws of 25 to 55 mm length and max. Ø 5 mm, tool-free changeover, weight 0.4 kg.

Part number
9 01 04 009 01 0



M55 X magazine extension with belt guide
Length 520 mm

Part number
9 01 04 010 01 0



Bits 1/4" Hex socket
for screwdriving into ceilings and floors
Form H/Phillips, size 2

Part number
6 05 03 306 00 8



High-speed construction screws
Fine-pitch screw for fastening drywall to metal substructures, countersunk head, Ø 8 mm

Ø mm	L mm	No. in pack pcs	Part number
3,9	35	1 000	6 39 01 030 01 4
3,9	35	10 000	6 39 01 030 02 0



High-speed construction screws
Coarse-pitch screw for fastening drywall to wood substructures, countersunk head, Ø 8 mm

Ø mm	L mm	No. in pack pcs	Part number
3,9	30	1 000	6 39 01 031 01 3
3,9	30	10 000	6 39 01 031 02 0
3,9	35	1 000	6 39 01 032 01 6
3,9	35	10 000	6 39 01 032 02 0
3,9	45	1 000	6 39 01 033 01 0
3,9	45	10 000	6 39 01 033 02 0



High-speed construction screws
Double threaded with milled rib for fastening Fermacell panels to metal or wood substructures.

Ø mm	L mm	No. in pack pcs	Part number
3,9	30	1 000	6 39 01 034 01 8
3,9	30	10 000	6 39 01 034 02 0



High-speed construction screws
Double threaded with milled rib for wood substructures.

Ø mm	L mm	No. in pack pcs	Part number
4,2	35	1 000	6 39 01 035 01 2
4,2	35	10 000	6 39 01 035 02 0



	ASCS 4.8	ASCS 6.3	ASCS 6.3 Select	
	One of the lightest cordless drills/ drivers in its class for roofing and façade construction.	Speed-optimised cordless drill/driver for screw connections in metal up to a diameter of 6.3 mm.		
Page	22	22	22	
Technical features	Battery voltage (V)	14,4	18	18
	Battery capacity (Ah)	5	5	
	Speed, no load (rpm)	0-2 500	0-1 700	0-1 700
	Max. torque (hard/soft) (Nm)	20/7	30/10	30/10
	Screw Ø (mm)	4,8	6,3	6,3
	Rapid change chuck	1/4"	1/4"	1/4"
Weight with battery (kg)	1,6	1,8		



ASCS 4.8



ASCS 6.3

ASCS 4.8



For accessories, see page 23
For mains variant of tool, see page 82

One of the lightest cordless drills/drivers in its class for roofing and façade construction.

Battery voltage	V	14,4
Battery capacity	Ah	5
Speed, full load	rpm	0-2 000
Speed, no load	rpm	0-2 500
Max. torque (hard/soft)	Nm	20/7
Weight with battery	kg	1,6
Rapid change chuck		1/4"
Screw Ø	mm	4,8
Part number		7 113 10 61 00 0
EAN		4014586869452

FEIN benefits:

- ▶ Powerful battery for more than 300 screw connections in 2 x 0.75 mm trapezoid sheet metal.
- ▶ Electronic torque shut-off prevents screws from rotating too far or twisting off.
- ▶ Maintenance-free, brush-free and highly-effective EC motor.
- ▶ Tested for more than 1 million screw connections.
- ▶ More than 1,000 charge cycles per battery pack.
- ▶ Extremely low weight of just 1.6 kg for fatigue free working.
- ▶ High speeds for optimum drilling without wearing out the drill bit.
- ▶ Powerful up to 20 Nm.

Price includes:

1 ASCS 4.8 in plastic tool case, 1 rapid charger ALG 50, 2 battery packs (Li-ion), 1 hook, 1 depth stop, 1 insert for hexagon bolts SW 8

ASCS 6.3



For accessories, see page 23
For mains variant of tool, see page 82

Speed-optimised cordless drill/driver for screw connections in metal up to a diameter of 6.3 mm.

Battery voltage	V	18
Battery capacity	Ah	5
Speed, full load	rpm	0-1 500
Speed, no load	rpm	0-1 700
Max. torque (hard/soft)	Nm	30/10
Weight with battery	kg	1,8
Rapid change chuck		1/4"
Screw Ø	mm	6,3
Part number		7 113 11 62 00 0
EAN		4014586869476

FEIN benefits:

- ▶ Powerful battery for more than 150 screw connections in 1.25 mm trapezoidal sheet metal on to 2 mm steel.
- ▶ Electronic torque shut-off for precise results even without a depth stop.
- ▶ Maintenance-free, brush-free and highly-effective EC motor.
- ▶ Tested for more than 1 million screw connections.
- ▶ More than 1,000 charge cycles per battery pack.
- ▶ Extremely light weight.
- ▶ Optimum ergonomics with gun handle for high contact pressure.
- ▶ Powerful up to 30 Nm.

Price includes:

1 ASCS 6.3 in plastic tool case, 1 rapid charger ALG 50, 2 battery packs (Li-ion), 1 hook, 1 depth stop, 1 insert for hexagon bolts SW 8

ASCS 6.3 Select

FEIN SELECT⁺



For accessories, see page 23
For mains variant of tool, see page 82

Speed-optimised cordless drill/driver for screw connections in metal up to a diameter of 6.3 mm.

Battery voltage	V	18
Speed, full load	rpm	0-1 500
Speed, no load	rpm	0-1 700
Max. torque (hard/soft)	Nm	30/10
Rapid change chuck		1/4"
Screw Ø	mm	6,3
Part number		7 113 11 63 00 0
EAN		4014586881461

FEIN benefits:

- ▶ Powerful battery for more than 150 screw connections in 1.25 mm trapezoidal sheet metal on to 2 mm steel.
- ▶ Electronic torque shut-off for precise results even without a depth stop.
- ▶ Maintenance-free, brush-free and highly-effective EC motor.
- ▶ Tested for more than 1 million screw connections.
- ▶ More than 1,000 charge cycles per battery pack.
- ▶ Extremely light weight.
- ▶ Optimum ergonomics with gun handle for high contact pressure.
- ▶ Powerful up to 30 Nm.

Price includes:

1 ASCS 6.3 in plastic tool case, 1 hook, 1 depth stop, 1 insert for hexagon bolts SW 8



General accessories



Tool case
Plastic, inner dimensions: 470 x 275 x 116 mm

Part number
3 39 01 118 01 0



Plastic box
Box insert with lockable lid for small parts and accessories, suitable for tool box 3 39 01 118 01 0, max 5 items/box.

Part number
3 39 01 119 00 0



Quick charger ALG 50
For all FEIN Li-ion batteries. Charge time from 35 min.

Part number
9 26 04 129 01 0



Quick charger ALG 30
For FEIN NiCd and Li-ion batteries. Charge time from 25 min.

Part number
9 26 04 096 01 0



Tool holder 1/4" external hexagon
1/4" Drive-Hex Socket with quick-change chuck

Ø	L	Part number
mm	mm	
15	51	6 05 10 011 00 9



Tool holder 1/4" external hexagon
1/4" Drive-Hex Socket with spring washer, magnetic

Ø	L	Part number
mm	mm	
10,6	45	6 05 10 215 00 3

18 V battery



Battery pack
Li-ion with charge indicator

Current/ Voltages V	Capacity Ah	Part number
18	5	9 26 04 173 02 0
18	2,5	9 26 04 171 02 0
18	4	9 26 04 165 02 0
18	2	9 26 04 161 02 0

FEIN Sauer+



Battery starter set
Very durable, light 18 V Li-ion batteries with innovative SafetyCell technology, 4Ah capacity and charge indicator.

Current/ Voltages V	Capacity Ah	Part number
18	4	9 26 04 300 02 0

FEIN Sauer+



Battery starter set
Durable, light 18 V Li-ion batteries with innovative SafetyCell technology, 2Ah capacity and charge indicator.

Current/ Voltages V	Capacity Ah	Part number
18	2	9 26 04 300 01 0

14.4 V battery

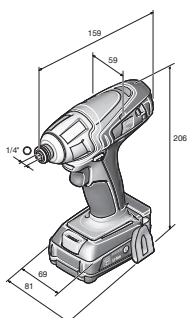


Battery pack
Li-ion with charge indicator

Current/ Voltages V	Capacity Ah	Part number
14,4	5	9 26 04 172 02 0
14,4	2,5	9 26 04 170 02 0
14,4	4	9 26 04 164 02 0
14,4	2	9 26 04 160 02 0



	ASCD 18 W2	ASCD 18 W2C	ASCD 18 W2 Select	ASCD 18 W4	ASCD 18 W4C	ASCD 18 W4 Select	ASCD 12-100 W4C	
	The extremely robust FEIN cordless drill/driver: short and lightweight design with great torque delivery of 250 Nm.			The extremely robust FEIN cordless drill/driver: short and lightweight design with great torque delivery of 158 Nm.			Short and light cordless impact wrench/driver with powerful 100 Nm torque.	
Page	25	25	25	25	26	26	26	
Technical features	Battery voltage (V)	18	18	18	18	18	12	
	Battery capacity (Ah)	4	2		4	2	2,5	
	Speed, no load (rpm)	2 200	2 200	2 200	2 200	2 200	2 200	2 700
	Impacts (rpm)	3 200	3 200	3 200	3 200	3 200	3 200	3 450
	Max. torque (Nm)	250	250	250	158	158	158	100
	Fastening	10 mm / M16	10 mm / M16	10 mm / M16	8 mm / M14	8 mm / M14	8 mm / M14	8 mm / M12
	Weight with battery (kg)	1,8	1,5		1,8	1,5		1,1



ASCD 12



ASCD 18 W2

The extremely robust FEIN cordless drill/driver: short and lightweight design with great torque delivery of 250 Nm.



For accessories, see page 27

Battery voltage	V	18
Battery capacity	Ah	4
Speed, no load	rpm	2 200
Impacts	rpm	3 200
Max. torque	Nm	250
Fastening		10 mm / M16
Weight with battery	kg	1,8
Part number		7 115 01 61 00 0
EAN		4014586873596

FEIN benefits:

- ▶ 4-pole DC motor with overload protection.
- ▶ Lithium ion storage battery with FEIN SafetyCell Technology. A separate communication cable protects the battery and tool from overload.
- ▶ Torque of up to 250 Nm.
- ▶ 3-year FEIN PLUS warranty including battery and charger.
- ▶ 1/2" square holder.
- ▶ Compact design.
- ▶ Length just 155 mm.
- ▶ Particularly light, fibre glass reinforced housing.
- ▶ Radial impact function.

Price includes:

- 1 cordless impact wrench/driver, 2 battery packs (Li-ion), 1 rapid charger ALG 50, 1 plastic carrying case

ASCD 18 W2C

The extremely robust FEIN cordless drill/driver: short and lightweight design with great torque delivery of 250 Nm.



For accessories, see page 27

Battery voltage	V	18
Battery capacity	Ah	2
Speed, no load	rpm	2 200
Impacts	rpm	3 200
Max. torque	Nm	250
Fastening		10 mm / M16
Weight with battery	kg	1,5
Part number		7 115 01 62 00 0
EAN		4014586873640

FEIN benefits:

- ▶ 4-pole DC motor with overload protection.
- ▶ Lithium ion storage battery with FEIN SafetyCell Technology. A separate communication cable protects the battery and tool from overload.
- ▶ Torque of up to 250 Nm.
- ▶ 3-year FEIN PLUS warranty including battery and charger.
- ▶ 1/2" square holder.
- ▶ Compact design.
- ▶ Length just 155 mm.
- ▶ Particularly light, fibre glass reinforced housing.
- ▶ Radial impact function.

Price includes:

- 1 cordless impact wrench/driver, 2 battery packs (Li-ion), 1 rapid charger ALG 50, 1 plastic carrying case

ASCD 18 W2 Select

The extremely robust FEIN cordless drill/driver: short and lightweight design with great torque delivery of 250 Nm.

FEIN SELECT⁺



For accessories, see page 27

Battery voltage	V	18
Speed, no load	rpm	2 200
Impacts	rpm	3 200
Max. torque	Nm	250
Fastening		10 mm / M16
Part number		7 115 01 63 00 0
EAN		4014586881546

FEIN benefits:

- ▶ 4-pole DC motor with overload protection.
- ▶ Lithium ion storage battery with FEIN SafetyCell Technology. A separate communication cable protects the battery and tool from overload.
- ▶ Torque of up to 250 Nm.
- ▶ 3-year FEIN PLUS warranty including battery and charger.
- ▶ 1/2" square holder.
- ▶ Compact design.
- ▶ Length just 155 mm.
- ▶ Particularly light, fibre glass reinforced housing.
- ▶ Radial impact function.

Price includes:

- 1 cordless impact wrench/driver, 1 plastic carrying case

ASCD 18 W4

The extremely robust FEIN cordless drill/driver: short and lightweight design with great torque delivery of 158 Nm.



For accessories, see page 27

Battery voltage	V	18
Battery capacity	Ah	4
Speed, no load	rpm	2 200
Impacts	rpm	3 200
Max. torque	Nm	158
Fastening		8 mm / M14
Weight with battery	kg	1,8
Part number		7 115 02 61 00 0
EAN		4014586873695

FEIN benefits:

- ▶ 4-pole DC motor with overload protection.
- ▶ Lithium ion storage battery with FEIN SafetyCell Technology. A separate communication cable protects the battery and tool from overload.
- ▶ Torque of up to 158 Nm.
- ▶ 3-year FEIN PLUS warranty including battery and charger.
- ▶ 1/4" hexagonal holder.
- ▶ Compact design.
- ▶ Length just 148 mm.
- ▶ Particularly light, fibre glass reinforced housing.
- ▶ Radial impact function.

Price includes:

- 1 cordless impact wrench/driver, 2 battery packs (Li-ion), 1 rapid charger ALG 50, 1 plastic carrying case

ASCD 18 W4C



For accessories, see page 27

The extremely robust FEIN cordless drill/driver: short and lightweight design with great torque delivery of 158 Nm.

Battery voltage	V	18
Battery capacity	Ah	2
Speed, no load	rpm	2 200
Impacts	rpm	3 200
Max. torque	Nm	158
Fastening		8 mm / M14
Weight with battery	kg	1,5
Part number		7 115 02 62 00 0
EAN		4014586873749

FEIN benefits:

- ▶ 4-pole DC motor with overload protection.
- ▶ Lithium ion storage battery with FEIN SafetyCell Technology. A separate communication cable protects the battery and tool from overload.
- ▶ Torque of up to 158 Nm.
- ▶ 3-year FEIN PLUS warranty including battery and charger.
- ▶ 1/4" hexagonal holder.
- ▶ Compact design.
- ▶ Length just 148 mm.
- ▶ Particularly light, fibre glass reinforced housing.
- ▶ Radial impact function.

Price includes:

1 cordless impact wrench/driver, 2 battery packs (Li-ion), 1 rapid charger ALG 50, 1 plastic carrying case

ASCD 18 W4 Select



For accessories, see page 27

The extremely robust FEIN cordless drill/driver: short and lightweight design with great torque delivery of 158 Nm.

Battery voltage	V	18
Speed, no load	rpm	2 200
Impacts	rpm	3 200
Max. torque	Nm	158
Fastening		8 mm / M14
Part number		7 115 02 63 00 0
EAN		4014586881553

FEIN benefits:

- ▶ 4-pole DC motor with overload protection.
- ▶ Lithium ion storage battery with FEIN SafetyCell Technology. A separate communication cable protects the battery and tool from overload.
- ▶ Torque of up to 158 Nm.
- ▶ 3-year FEIN PLUS warranty including battery and charger.
- ▶ 1/4" hexagonal holder.
- ▶ Compact design.
- ▶ Length just 148 mm.
- ▶ Particularly light, fibre glass reinforced housing.
- ▶ Radial impact function.

Price includes:

1 cordless impact wrench/driver, 1 plastic carrying case

ASCD 12-100 W4C



For accessories, see page 27

Short and light cordless impact wrench/driver with powerful 100 Nm torque.

Battery voltage	V	12
Battery capacity	Ah	2,5
Speed, no load	rpm	2 700
Impacts	rpm	3 450
Max. torque	Nm	100
Fastening		8 mm / M12
Tool Holder		1/4" hexagonal holder
Weight with battery	kg	1,1
Part number		7 115 03 61 00 0
EAN		4014586881560

FEIN benefits:

- ▶ Powerful and long-life DC motor with overheating and overload protection.
- ▶ Up to 100 Nm torque - tightens screws of up to M12 with ease.
- ▶ Slim and short design, just 158 mm in length.
- ▶ Extremely robust thanks to fibreglass-reinforced housing.
- ▶ Aluminium gearbox housing.
- ▶ Bright LED light on housing.
- ▶ Includes belt holder and magnetic bit holder.
- ▶ FEIN SafetyCell technology. Protects the battery and tool from overload, overheating and total discharge.
- ▶ The battery charge can be read off the battery.
- ▶ One charger for all FEIN Li-ion batteries of all voltage classes.

Price includes:

1 cordless drill/driver, 2 battery packs (Li-ion), 1 belt clip, 1 bit holder, 1 rapid charger ALG 50, 1 plastic carrying case



General accessories



Cordless ALED 12-18 V LED lamp
Compact and durable cordless LED lamp with swivel-mounted lamp head. Compatible with all 12 / 14 / 18 V FEIN Li-ion batteries, including hook for attaching the lamp. Extremely lightweight at 130 g and very bright at 900 Lux. Colour temperature is the equivalent of daylight. The brightness can be set to 2 levels.

Part number
9 26 04 200 02 0



Plastic tool cases
Suitable for ABS 14/18, ASB 14/18, ASCD 18

Part number
3 39 01 141 01 0



Tool case
Suitable for ABSU 12, ASCD 12, ASCM 12

Part number
3 39 01 160 01 0



Tool case
Plastic, inner dimensions: 470 x 275 x 116 mm

Part number
3 39 01 118 01 0



Plastic box
Box insert with lockable lid for small parts and accessories, suitable for tool box 3 39 01 118 01 0, max 5 items/box.

Part number
3 39 01 119 00 0



Quick charger ALG 50
For all FEIN Li-ion batteries. Charge time from 35 min.

Part number
9 26 04 129 01 0



Quick charger ALG 30
For FEIN NiCd and Li-ion batteries. Charge time from 25 min.

Part number
9 26 04 096 01 0

18 V battery



Battery pack
Li-ion with charge indicator

Current/ Voltages V	Capacity Ah	Part number
18	5	9 26 04 173 02 0
18	2,5	9 26 04 171 02 0
18	4	9 26 04 165 02 0
18	2	9 26 04 161 02 0



Battery starter set
Very durable, light 18 V Li-ion batteries with innovative SafetyCell technology, 4Ah capacity and charge indicator.

Current/ Voltages V	Capacity Ah	Part number
18	4	9 26 04 300 02 0



Battery starter set
Durable, light 18 V Li-ion batteries with innovative SafetyCell technology, 2Ah capacity and charge indicator.

Current/ Voltages V	Capacity Ah	Part number
18	2	9 26 04 300 01 0

12 V battery

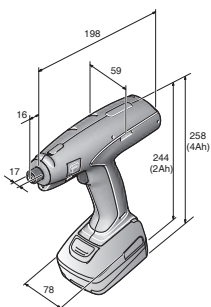


Battery pack
Li-ion with charge indicator

Current/ Voltages V	Capacity Ah	Part number
12	2,5	9 26 04 168 02 0



	ASM 14-2 (without battery)	ASM 14-2 PC (without battery)	ASM 14-6 (without battery)	ASM 14-6 PC (without battery)	ASM 14-9 (without battery)	ASM 14-9 PC (without battery)	ASM 14-12 (without battery)	ASM 14-12 PC (without battery)	
	Certified screwdriver according to ISO 5393, VDI/VDE 2647, achieves CMK value > 1,67 at ± 12% (referred to 6 Sigma).		Certified screwdriver according to ISO 5393, VDI/VDE 2647, achieves CMK value > 1,67 at ± 10% (referred to 6 Sigma).		Programmable screwdrivers, tested for compliance with ISO 5393, VDI/VDE 2647.		Certified screwdriver according to ISO 5393, VDI/VDE 2647, achieves CMK value > 1,67 at ± 10% (referred to 6 Sigma).		
Page	29	29	29	29	30	30	30	30	
Technical features	Torque range (Nm)	0,7 - 2	0,7 - 2	1,2-6	1,2-6	2-9	2-9	3-12	3-12
	Speed, no load (rpm)	350	50 - 750	600	50-1 000	600	50-750	500	50-750
	Current/Voltages (V)	14,4	14,4	14,4	14,4	14,4	14,4	14,4	14,4
	Tool Holder	1/4" hexagon socket	1/4" hexagon socket	1/4" hexagon socket	1/4" hexagon socket	1/4" hexagon socket	1/4" hexagon socket	1/4" hexagon socket	1/4" hexagon socket





ASM 14-2 (without battery)

Certified screwdriver according to ISO 5393, VDI/VDE 2647, achieves CMK value > 1,67 at ± 12% (referred to 6 Sigma).



For accessories, see page 35

Torque range	Nm	0,7 - 2
Speed, no load	rpm	350
Current/Voltages	V	14,4
Tool Holder		1/4" hexagon socket
Part number	7 112 60 00 95 0	
EAN	4014586881294	

FEIN benefits:

- ▶ Brushless, maintenance-free motor.
- ▶ Consistently precise tightening torque regardless of screwdriving operation.
- ▶ Process-optimised thanks to switch-on delay and restart lock (battery monitoring).
- ▶ Reverse direction activated at the touch of a button.
- ▶ FEIN Li-ion technology for more screw connections per battery charge.
- ▶ Constant speed right up to switch-off.
- ▶ Continuous illumination of the screwdriving site.
- ▶ For soft and hard screwed connections.
- ▶ Soft start.
- ▶ Soft cut-out.

ASM 14-2 PC (without battery)

Certified screwdriver according to ISO 5393, VDI/VDE 2647, achieves CMK value > 1,67 at ± 12% (referred to 6 Sigma).



For accessories, see page 35

Torque range	Nm	0,7 - 2
Speed, no load	rpm	50 - 750
Current/Voltages	V	14,4
Tool Holder		1/4" hexagon socket
Part number	7 112 61 00 95 0	
EAN	4014586881317	

FEIN benefits:

- ▶ Brushless, maintenance-free motor.
- ▶ Freely programmable parameters: speed, direction of rotation, angle of rotation, torque, threshold, time.
- ▶ Can be adapted to the individual application in up to five program steps to suit your process.
- ▶ Adjustable error criteria prevent manipulation.
- ▶ FEIN Li-ion technology for more screw connections per battery charge.
- ▶ Maintenance module records all screw connections and calibration data.
- ▶ Easy data input on the computer.
- ▶ Program with confidence using the integrated interface.
- ▶ Store data for later reuse.
- ▶ For soft and hard screwed connections.
- ▶ Sensor-based control means no loss of speed when screwdriving.
- ▶ Protection of the tool through a factory-installed password.
- ▶ Powerful lithium ion battery with capacity display.

ASM 14-6 (without battery)

Certified screwdriver according to ISO 5393, VDI/VDE 2647, achieves CMK value > 1,67 at ± 10% (referred to 6 Sigma).



For accessories, see page 35

Torque range	Nm	1,2-6
Speed, no load	rpm	600
Current/Voltages	V	14,4
Tool Holder		1/4" hexagon socket
Part number	7 112 28 00 95 0	
EAN	4014586876238	

FEIN benefits:

- ▶ Brushless, maintenance-free motor.
- ▶ Consistently precise tightening torque regardless of screwdriving operation.
- ▶ Process-optimised thanks to switch-on delay and restart lock (battery monitoring).
- ▶ Reverse direction activated at the touch of a button.
- ▶ FEIN Li-ion technology for more screw connections per battery charge.
- ▶ Constant speed right up to switch-off.
- ▶ Continuous illumination of the screwdriving site.
- ▶ For soft and hard screwed connections.
- ▶ Soft start.
- ▶ Soft cut-out.

ASM 14-6 PC (without battery)

Programmable screwdrivers, tested for compliance with ISO 5393, VDI/VDE 2647.



For accessories, see page 35

Torque range	Nm	1,2-6
Speed, no load	rpm	50-1 000
Current/Voltages	V	14,4
Tool Holder		1/4" hexagon socket
Part number	7 112 54 00 95 0	
EAN	4014586874241	

FEIN benefits:

- ▶ Brushless, maintenance-free motor.
- ▶ Freely programmable parameters: speed, direction of rotation, angle of rotation, torque, threshold, time.
- ▶ Can be adapted to the individual application in up to five program steps to suit your process.
- ▶ Adjustable error criteria prevent manipulation.
- ▶ FEIN Li-ion technology for more screw connections per battery charge.
- ▶ Maintenance module records all screw connections and calibration data.
- ▶ Easy data input on the computer.
- ▶ Program with confidence using the integrated interface.
- ▶ Store data for later reuse.
- ▶ For soft and hard screwed connections.
- ▶ Sensor-based control means no loss of speed when screwdriving.
- ▶ Protection of the tool through a factory-installed password.
- ▶ Powerful lithium ion battery with capacity display.

ASM 14-9 (without battery)

Certified screwdriver according to ISO 5393, VDI/VDE 2647, achieves CMK value > 1,67 at ± 10% (referred to 6 Sigma).



For accessories, see page 35

Torque range	Nm	2-9
Speed, no load	rpm	600
Current/Voltages	V	14,4
Tool Holder		1/4" hexagon socket
Part number	7 112 59 00 95 0	
EAN	4014586877211	

FEIN benefits:

- ▶ Brushless, maintenance-free motor.
- ▶ Consistently precise tightening torque regardless of screwdriving operation.
- ▶ Process-optimised thanks to switch-on delay and restart lock (battery monitoring).
- ▶ Reverse direction activated at the touch of a button.
- ▶ FEIN Li-ion technology for more screw connections per battery charge.
- ▶ Constant speed right up to switch-off.
- ▶ Continuous illumination of the screwdriving site.
- ▶ For soft and hard screwed connections.
- ▶ Soft start.
- ▶ Soft cut-out.

ASM 14-9 PC (without battery)

Programmable screwdrivers, tested for compliance with ISO 5393, VDI/VDE 2647, achieves CMK value > 1,67 at ± 10% (referred to 6 Sigma).



For accessories, see page 35

Torque range	Nm	2-9
Speed, no load	rpm	50-750
Current/Voltages	V	14,4
Tool Holder		1/4" hexagon socket
Part number	7 112 55 00 95 0	
EAN	4014586874258	

FEIN benefits:

- ▶ Brushless, maintenance-free motor.
- ▶ Freely programmable parameters: speed, direction of rotation, angle of rotation, torque, threshold, time.
- ▶ Can be adapted to the individual application in up to five program steps to suit your process.
- ▶ Adjustable error criteria prevent manipulation.
- ▶ FEIN Li-ion technology for more screw connections per battery charge.
- ▶ Maintenance module records all screw connections and calibration data.
- ▶ Easy data input on the computer.
- ▶ Program with confidence using the integrated interface.
- ▶ Store data for later reuse.
- ▶ For soft and hard screwed connections.
- ▶ Sensor-based control means no loss of speed when screwdriving.
- ▶ Protection of the tool through a factory-installed password.
- ▶ Powerful lithium ion battery with capacity display.

ASM 14-12 (without battery)

Certified screwdriver according to ISO 5393, VDI/VDE 2647, achieves CMK value > 1,67 at ± 10% (referred to 6 Sigma).



For accessories, see page 35

Torque range	Nm	3-12
Speed, no load	rpm	500
Current/Voltages	V	14,4
Tool Holder		1/4" hexagon socket
Part number	7 112 57 00 95 0	
EAN	4014586877198	

FEIN benefits:

- ▶ Brushless, maintenance-free motor.
- ▶ Consistently precise tightening torque regardless of screwdriving operation.
- ▶ Process-optimised thanks to switch-on delay and restart lock (battery monitoring).
- ▶ Reverse direction activated at the touch of a button.
- ▶ FEIN Li-ion technology for more screw connections per battery charge.
- ▶ Constant speed right up to switch-off.
- ▶ Continuous illumination of the screwdriving site.
- ▶ For soft and hard screwed connections.
- ▶ Soft start.
- ▶ Soft cut-out.

ASM 14-12 PC (without battery)

Programmable screwdrivers, tested for compliance with ISO 5393, VDI/VDE 2647, achieves CMK value > 1,67 at ± 10% (referred to 6 Sigma).



For accessories, see page 35

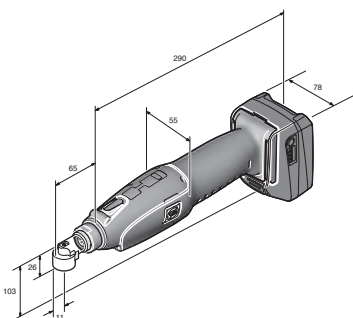
Torque range	Nm	3-12
Speed, no load	rpm	50-750
Current/Voltages	V	14,4
Tool Holder		1/4" hexagon socket
Part number	7 112 56 00 95 0	
EAN	4014586874265	

FEIN benefits:

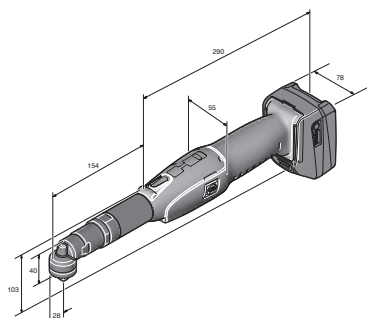
- ▶ Brushless, maintenance-free motor.
- ▶ Freely programmable parameters: speed, direction of rotation, angle of rotation, torque, threshold, time.
- ▶ Can be adapted to the individual application in up to five program steps to suit your process.
- ▶ Adjustable error criteria prevent manipulation.
- ▶ FEIN Li-ion technology for more screw connections per battery charge.
- ▶ Maintenance module records all screw connections and calibration data.
- ▶ Easy data input on the computer.
- ▶ Program with confidence using the integrated interface.
- ▶ Store data for later reuse.
- ▶ For soft and hard screwed connections.
- ▶ Sensor-based control means no loss of speed when screwdriving.
- ▶ Protection of the tool through a factory-installed password.
- ▶ Powerful lithium ion battery with capacity display.



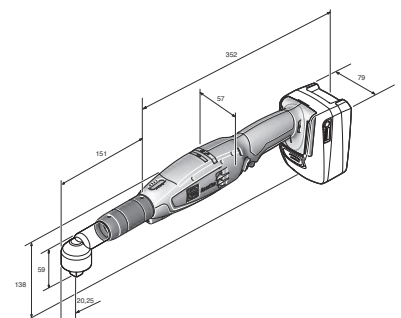
	ASW 14-6 (without battery and angled head)	ASW 14-10 (without battery and angled head)	ASW 14-14 (without battery and angled head)	ASW 14-6 PC (without battery and angled head)	ASW 14-10 PC (without battery and angled head)	ASW 14-14 PC (without battery and angled head)	ASW 14-30 PC (without battery)	ASW 18-30 PC (without battery and angled head)	ASW 18-45 PC (without battery and angled head)	ASW 18-60 PC (without battery and angled head)	
	Certified screwdriver according to ISO 5393, VDI/VDE 2647, achieves CMK value > 1,67 at ± 10% (referred to 6 Sigma).			Programmable screwdrivers, tested for compliance with ISO 5393, VDI/VDE 2647, achieves CMK value > 1,67 at ± 10% (referred to 6 Sigma).							
Page	32	32	32	33	33	33	34	34	34	35	
Technical features	Torque range (Nm)	1,5-6	2-10	3-14	1,5-6	2-10	3-14	12-30	-30	-45	-60
	Speed, no load (rpm)	650	500	400	50-700	50-700	50-530	20-260	50-420	50-310	50-230
	Current/Voltages (V)	14,4	14,4	14,4	14,4	14,4	14,4	14,4	18	18	18
	Tool Holder							3/8" Outer square			



ASW 14



ASW 18



ASW 14-6 (without battery and angled head)

Certified screwdriver according to ISO 5393, VDI/VDE 2647, achieves CMK value > 1,67 at ± 10% (referred to 6 Sigma).



For accessories, see page 35

Torque range	Nm	1,5-6
Speed, no load	rpm	650
Current/Voltages	V	14,4
Part number	7 112 40 00 95 0	
EAN	4014586876245	

FEIN benefits:

- ▶ Brushless, maintenance-free motor.
- ▶ Consistently precise tightening torque regardless of screwdriving operation.
- ▶ Process-optimised thanks to switch-on delay and restart lock (battery monitoring).
- ▶ Reverse direction activated at the touch of a button.
- ▶ FEIN Li-ion technology for more screw connections per battery charge.
- ▶ Constant speed right up to switch-off.
- ▶ Continuous illumination of the screwdriving site.
- ▶ For soft and hard screwed connections.
- ▶ Soft start.
- ▶ Soft cut-out.
- ▶ Very high operating efficiency.
- ▶ Angled heads can be adjusted by 360°.
- ▶ Tongue tools can be used.

ASW 14-10 (without battery and angled head)

Certified screwdriver according to ISO 5393, VDI/VDE 2647, achieves CMK value > 1,67 at ± 10% (referred to 6 Sigma).



For accessories, see page 35

Torque range	Nm	2-10
Speed, no load	rpm	500
Current/Voltages	V	14,4
Part number	7 112 42 00 95 0	
EAN	4014586876252	

FEIN benefits:

- ▶ Brushless, maintenance-free motor.
- ▶ Consistently precise tightening torque regardless of screwdriving operation.
- ▶ Process-optimised thanks to switch-on delay and restart lock (battery monitoring).
- ▶ Reverse direction activated at the touch of a button.
- ▶ FEIN Li-ion technology for more screw connections per battery charge.
- ▶ Constant speed right up to switch-off.
- ▶ Continuous illumination of the screwdriving site.
- ▶ For soft and hard screwed connections.
- ▶ Soft start.
- ▶ Soft cut-out.
- ▶ Very high operating efficiency.
- ▶ Angled heads can be adjusted by 360°.
- ▶ Tongue tools can be used.

ASW 14-14 (without battery and angled head)

Certified screwdriver according to ISO 5393, VDI/VDE 2647, achieves CMK value > 1,67 at ± 10% (referred to 6 Sigma).



For accessories, see page 35

Torque range	Nm	3-14
Speed, no load	rpm	400
Current/Voltages	V	14,4
Part number	7 112 58 00 95 0	
EAN	4014586877204	

FEIN benefits:

- ▶ Brushless, maintenance-free motor.
- ▶ Consistently precise tightening torque regardless of screwdriving operation.
- ▶ Process-optimised thanks to switch-on delay and restart lock (battery monitoring).
- ▶ Reverse direction activated at the touch of a button.
- ▶ FEIN Li-ion technology for more screw connections per battery charge.
- ▶ Constant speed right up to switch-off.
- ▶ Continuous illumination of the screwdriving site.
- ▶ For soft and hard screwed connections.
- ▶ Soft start.
- ▶ Soft cut-out.
- ▶ Very high operating efficiency.
- ▶ Angled heads can be adjusted by 360°.
- ▶ Tongue tools can be used.



ASW 14-6 PC (without battery and angled head)

Programmable screwdrivers, tested for compliance with ISO 5393, VDI/VDE 2647, achieves CMK value > 1,67 at ± 10% (referred to 6 Sigma).



For accessories, see page 35

Torque range	Nm	1,5-6
Speed, no load	rpm	50-700
Current/Voltages	V	14,4
Part number	7 112 50 00 95 0	
EAN	4014586874210	

FEIN benefits:

- ▶ Brushless, maintenance-free motor.
- ▶ Freely programmable parameters: speed, direction of rotation, angle of rotation, torque, threshold, time.
- ▶ Can be adapted to the individual application in up to five program steps to suit your process.
- ▶ Adjustable error criteria prevent manipulation.
- ▶ FEIN Li-ion technology for more screw connections per battery charge.
- ▶ Maintenance module records all screw connections and calibration data.
- ▶ Easy data input on the computer.
- ▶ Program with confidence using the integrated interface.
- ▶ Store data for later reuse.
- ▶ For soft and hard screwed connections.
- ▶ Sensor-based control means no loss of speed when screwdriving.
- ▶ Protection of the tool through a factory-installed password.
- ▶ Powerful lithium ion battery with capacity display.
- ▶ Angled heads can be adjusted by 360°.
- ▶ Tongue tools can be used.

ASW 14-10 PC (without battery and angled head)

Programmable screwdrivers, tested for compliance with ISO 5393, VDI/VDE 2647, achieves CMK value > 1,67 at ± 10% (referred to 6 Sigma).



For accessories, see page 35

Torque range	Nm	2-10
Speed, no load	rpm	50-700
Current/Voltages	V	14,4
Part number	7 112 51 00 95 0	
EAN	4014586874227	

FEIN benefits:

- ▶ Brushless, maintenance-free motor.
- ▶ Freely programmable parameters: speed, direction of rotation, angle of rotation, torque, threshold, time.
- ▶ Can be adapted to the individual application in up to five program steps to suit your process.
- ▶ Adjustable error criteria prevent manipulation.
- ▶ FEIN Li-ion technology for more screw connections per battery charge.
- ▶ Maintenance module records all screw connections and calibration data.
- ▶ Easy data input on the computer.
- ▶ Program with confidence using the integrated interface.
- ▶ Store data for later reuse.
- ▶ For soft and hard screwed connections.
- ▶ Sensor-based control means no loss of speed when screwdriving.
- ▶ Protection of the tool through a factory-installed password.
- ▶ Powerful lithium ion battery with capacity display.
- ▶ Angled heads can be adjusted by 360°.
- ▶ Tongue tools can be used.

ASW 14-14 PC (without battery and angled head)

Programmable screwdrivers, tested for compliance with ISO 5393, VDI/VDE 2647, achieves CMK value > 1,67 at ± 10% (referred to 6 Sigma).



For accessories, see page 35

Torque range	Nm	3-14
Speed, no load	rpm	50-530
Current/Voltages	V	14,4
Part number	7 112 52 00 95 0	
EAN	4014586874234	

FEIN benefits:

- ▶ Brushless, maintenance-free motor.
- ▶ Freely programmable parameters: speed, direction of rotation, angle of rotation, torque, threshold, time.
- ▶ Can be adapted to the individual application in up to five program steps to suit your process.
- ▶ Adjustable error criteria prevent manipulation.
- ▶ FEIN Li-ion technology for more screw connections per battery charge.
- ▶ Maintenance module records all screw connections and calibration data.
- ▶ Easy data input on the computer.
- ▶ Program with confidence using the integrated interface.
- ▶ Store data for later reuse.
- ▶ For soft and hard screwed connections.
- ▶ Sensor-based control means no loss of speed when screwdriving.
- ▶ Protection of the tool through a factory-installed password.
- ▶ Powerful lithium ion battery with capacity display.
- ▶ Angled heads can be adjusted by 360°.
- ▶ Tongue tools can be used.

ASW 14-30 PC (without battery)

Programmable screwdrivers, tested for compliance with ISO 5393, VDI/VDE 2647, achieves CMK value > 1,67 at ± 10% (referred to 6 Sigma).



For accessories, see page 35

Torque range	Nm	12-30
Speed, no load	rpm	20-260
Current/Voltages	V	14,4
Tool Holder		3/8" Outer square
Part number		7 112 53 00 95 0
EAN		4014586877549

FEIN benefits:

- ▶ Brushless, maintenance-free motor.
- ▶ Freely programmable parameters: speed, direction of rotation, angle of rotation, torque, threshold, time.
- ▶ Can be adapted to the individual application in up to five program steps to suit your process.
- ▶ Adjustable error criteria prevent manipulation.
- ▶ FEIN Li-ion technology for more screw connections per battery charge.
- ▶ Maintenance module records all screw connections and calibration data.
- ▶ Easy data input on the computer.
- ▶ Program with confidence using the integrated interface.
- ▶ Store data for later reuse.
- ▶ For soft and hard screwed connections.
- ▶ Sensor-based control means no loss of speed when screwdriving.
- ▶ Protection of the tool through a factory-installed password.
- ▶ Powerful lithium ion battery with capacity display.
- ▶ Angled heads can be adjusted by 360°.
- ▶ Tongue tools can be used.

ASW 18-30 PC (without battery and angled head)

Programmable screwdrivers, tested for compliance with ISO 5393, VDI/VDE 2647, achieves CMK value > 1,67 at ± 10% (referred to 6 Sigma).



For accessories, see page 35

Torque range	Nm	-30
Speed, no load	rpm	50-420
Current/Voltages	V	18
Part number		7 112 62 60 00 0
EAN		4014586883830

FEIN benefits:

- ▶ Brushless, maintenance-free motor.
- ▶ Programmable fuel gauge on the tool.
- ▶ Freely programmable parameters: speed, direction of rotation, angle of rotation, torque, threshold, time.
- ▶ Can be adapted to the individual application in up to five program steps to suit your process.
- ▶ FEIN Li-ion technology for more screw connections per battery charge.
- ▶ Maintenance module records all screw connections and calibration data.
- ▶ Easy data input on the computer.
- ▶ Store data for later reuse.
- ▶ For soft and hard screwed connections.
- ▶ Sensor-based control means no loss of speed when screwdriving.
- ▶ Protection of the tool through a factory-installed password.
- ▶ Powerful lithium ion battery with capacity display.
- ▶ Angled heads can be adjusted by 360°.
- ▶ Tongue tools can be used.

ASW 18-45 PC (without battery and angled head)

Programmable screwdrivers, tested for compliance with ISO 5393, VDI/VDE 2647, achieves CMK value > 1,67 at ± 10% (referred to 6 Sigma).



For accessories, see page 35

Torque range	Nm	-45
Speed, no load	rpm	50-310
Current/Voltages	V	18
Part number		7 112 63 60 00 0
EAN		4014586883847

FEIN benefits:

- ▶ Brushless, maintenance-free motor.
- ▶ Programmable fuel gauge on the tool.
- ▶ Freely programmable parameters: speed, direction of rotation, angle of rotation, torque, threshold, time.
- ▶ Can be adapted to the individual application in up to five program steps to suit your process.
- ▶ FEIN Li-ion technology for more screw connections per battery charge.
- ▶ Maintenance module records all screw connections and calibration data.
- ▶ Easy data input on the computer.
- ▶ Store data for later reuse.
- ▶ For soft and hard screwed connections.
- ▶ Sensor-based control means no loss of speed when screwdriving.
- ▶ Protection of the tool through a factory-installed password.
- ▶ Powerful lithium ion battery with capacity display.
- ▶ Angled heads can be adjusted by 360°.
- ▶ Tongue tools can be used.

ASW 18-60 PC (without battery and angled head)

Programmable screwdrivers, tested for compliance with ISO 5393, VDI/VDE 2647, achieves CMK value > 1,67 at ± 10% (referred to 6 Sigma).



For accessories, see page 35

Torque range	Nm	-60
Speed, no load	rpm	50-230
Current/Voltages	V	18
Part number	7 112 64 60 00 0	
EAN	4014586883854	

FEIN benefits:

- ▶ Brushless, maintenance-free motor.
- ▶ Programmable fuel gauge on the tool.
- ▶ Freely programmable parameters: speed, direction of rotation, angle of rotation, torque, threshold, time.
- ▶ Can be adapted to the individual application in up to five program steps to suit your process.
- ▶ FEIN Li-ion technology for more screw connections per battery charge.
- ▶ Maintenance module records all screw connections and calibration data.
- ▶ Easy data input on the computer.
- ▶ Store data for later reuse.
- ▶ For soft and hard screwed connections.
- ▶ Sensor-based control means no loss of speed when screwdriving.
- ▶ Protection of the tool through a factory-installed password.
- ▶ Powerful lithium ion battery with capacity display.
- ▶ Angled heads can be adjusted by 360°.
- ▶ Tongue tools can be used.

FEIN AccuTEC

General accessories



Battery pack
Li-ion with charge indicator

Current/ Voltages V	Capacity Ah	Part number
14,4	2,5	9 26 04 170 02 0
14,4	5	9 26 04 172 02 0
18	2,5	9 26 04 171 02 0
18	5	9 26 04 173 02 0



Battery pack

Current/ Voltages V	Capacity Ah	Part number
9,6 NiMH	2	9 26 04 082 02 5
12 NiMH	2	9 26 04 084 02 7
12 NiMH	2,6	9 26 04 079 02 1



Multi-charger ALS 40
Mains cable not included.

Part number
9 26 04 111 01 0



Quick charger ALG 40
Processor-controlled, charge time of around 20-60 min. depending on battery, power consumption of 100 watts, weight 0.7 kg.

Part number
9 26 04 104 01 0



Charging adapter

For the battery interface of NiCd and NiMH batteries to ALS 40, ALG 40 and ALG 30.

Part number
9 26 04 103 01 0



Adjustment spanner - torque

Part number
3 21 23 002 00 6



Battery cover

for protecting the work piece surface from mechanical damages for Li-Ion battery 14.4 V 2 / 2,5 Ah

Part number
3 21 74 015 01 0



Battery cover

for protecting the work piece surface from mechanical damages for Li-Ion battery 14.4 V 4 / 5 Ah

Part number
3 21 74 016 01 0



Coding sleeves
for colour IDs of different models

Colour	No. in pack pcs	Part number
Colour mix	7	3 05 01 345 02 0
blue	10	3 05 01 348 01 0
red	10	3 05 01 349 01 0
orange	10	3 05 01 350 01 0
yellow	10	3 05 01 351 01 0
grey	10	3 05 01 346 01 0
green	10	3 05 01 347 01 0
black	10	3 05 01 352 01 0

ASM accessories



Protection for AccuTEC ASM
for protecting the work piece surface from mechanical damages

Part number
3 14 20 120 01 0



Tool holder for ASM/ASSm
Tool storage for all FEIN AccuTEC ASM and ASSm models.

Part number
3 21 26 060 00 0

ASW 9 / 10 / 14 accessories



AccuTEC ASW protective cover
for protecting the work piece surface from mechanical damages

Part number
3 21 74 014 01 0



Angled head Basic

Tool Holder	Part number
QuickIN 1/4" Hexagon socket	9 01 02 012 01 0
3/8" Outer square	9 01 02 013 01 0
1/4" Outer square	9 01 02 014 01 0



Plastic cover
for protecting the work piece surface from mechanical damages

Part number
3 14 28 166 00 0



Clamping adapter for angled head
With 1/4" square head, suitable for closed LÜBBERING tongue tool adapter A, only in conjunction with Premium angled head.

Part number
6 39 01 046 00 0

Accessories for ParameterControl models



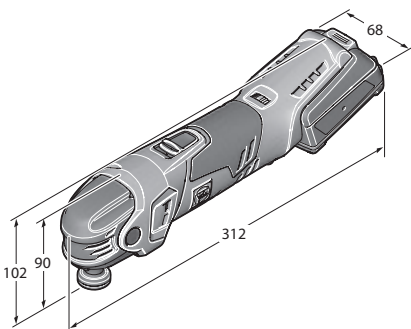
Programming adapter
For all AccuTEC ParameterControl models. Supplied: Software on USB card incl. instructions, adapter and connection cable.

Part number
9 26 04 163 02 0

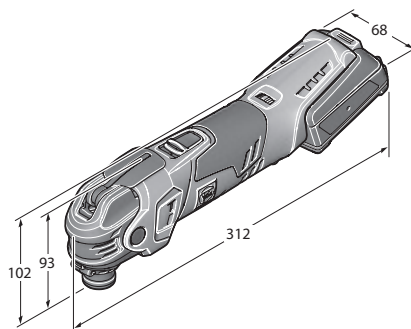


	AFMM 18 QSL	AFMT 12 QSL	AFMT 12 SL	
	The high-performance, battery-powered universal system for interior work and renovation with QuickIN and accessories for a wide range of applications.	The battery-powered, universal system for interior work and renovation with QuickIN and the basic accessories needed for sanding and sawing.	The battery-powered, universal system for interior work and renovation and the basic accessories needed for sanding and sawing.	
Page	38	38	38	
Technical features	Battery voltage (V)	18	12	12
	Battery capacity (Ah)	2,5	2,5	2,5
	Oscillations (rpm)	11 000-18 500	11 000-18 000	11 000-18 000
	Weight with battery (kg)	1,8	1,5	1,4
	Sanding pad width (mm)	80	80	80
	Tool Holder	StarlockPlus	StarlockPlus	StarlockPlus
	Tool change	QuickIN	QuickIN	Manual with screw, hexagon socket
Mechanical interface	●			

- included



AFMT 12 SL



AFMT 12 QSL

AFMM 18 QSL

The high-performance, battery-powered universal system for interior work and renovation with QuickIN and accessories for a wide range of applications.



For accessories, see page 39 and 213
For mains variant of tool, see page 206

Battery voltage	V	18
Battery capacity	Ah	2,5
Weight with battery	kg	1,8
Tool Holder		StarlockPlus
Tool change		QuickIN
Oscillations	rpm	11 000-18 500
Amplitude	Degrees	2 x 1,7
Sanding pad width	mm	80
Part number	7 129 22 61 00 0	
EAN	4014586884066	

FEIN benefits:

- ▶ Self-supporting motor with vibration decoupling for outstanding vibration and noise reduction.
- ▶ High-torque motor with exactly the same power as the mains-powered version.
- ▶ Convenient accessory changes without the need for extra tooling with the QuickIN clamping system.
- ▶ StarlockPlus tool mounting with outstanding torque transfer, suitable for all Starlock and StarlockPlus accessories.
- ▶ Powerful 18 V Li-ion batteries with SafetyCell technology.
- ▶ Charge indicator on each battery.
- ▶ Integrated interface for attaching additional system accessories.
- ▶ Wide range of accessories available for all applications.

Price includes:

1 FEIN cordless MULTIMASTER AFMM 18 QSL, 1 sanding pad, Sanding sheets, 3 each of grit 60, 80, 120, 180, 1 fixed scraper, 1 HSS segment saw blade, 1 E-CUT long-life saw blade (65 mm), 1 Universal E-CUT saw blade (44 mm), 1 rapid charger ALG 50, 2 Li-ion batteries (2,5 Ah), 1 plastic carrying case

AFMT 12 QSL

The battery-powered, universal system for interior work and renovation with QuickIN and the basic accessories needed for sanding and sawing.



For accessories, see page 39 and 213
For mains variant of tool, see page 206

Battery voltage	V	12
Battery capacity	Ah	2,5
Weight with battery	kg	1,5
Tool Holder		StarlockPlus
Tool change		QuickIN
Oscillations	rpm	11 000-18 000
Amplitude	Degrees	2 x 1,6
Sanding pad width	mm	80
Part number	7 129 25 61 00 0	
EAN	4014586884141	

FEIN benefits:

- ▶ Self-supporting motor with vibration decoupling for outstanding vibration and noise reduction.
- ▶ Very easy to handle due to its ergonomic design and light weight.
- ▶ Convenient accessory changes without the need for extra tooling with the QuickIN clamping system.
- ▶ StarlockPlus tool mounting with outstanding torque transfer, suitable for all Starlock and StarlockPlus accessories.
- ▶ Powerful Li-ion batteries with SafetyCell technology.
- ▶ Charge indicator on each battery.
- ▶ Wide range of accessories available for all applications.

Price includes:

1 FEIN cordless MULTITALENT AFMT 12 QSL, 1 sanding pad, Sanding sheets, 3 each of grit 80, 120, 180, 1 Universal E-CUT saw blade (29 mm), 1 rapid charger ALG 50, 2 Li-ion batteries (2,5 Ah), 1 plastic carrying case

AFMT 12 SL

The battery-powered, universal system for interior work and renovation and the basic accessories needed for sanding and sawing.



For accessories, see page 39 and 213
For mains variant of tool, see page 206

Battery voltage	V	12
Battery capacity	Ah	2,5
Weight with battery	kg	1,4
Tool Holder		StarlockPlus
Tool change		Manual with screw, hexagon socket
Oscillations	rpm	11 000-18 000
Amplitude	Degrees	2 x 1,6
Sanding pad width	mm	80
Part number	7 129 26 61 00 0	
EAN	4014586884226	

FEIN benefits:

- ▶ Self-supporting motor with vibration decoupling for outstanding vibration and noise reduction.
- ▶ Very easy to handle due to its ergonomic design and light weight.
- ▶ StarlockPlus tool mounting with outstanding torque transfer, suitable for all Starlock and StarlockPlus accessories.
- ▶ Powerful Li-ion batteries with SafetyCell technology.
- ▶ Charge indicator on each battery.
- ▶ Wide range of accessories available for all applications.

Price includes:

1 FEIN cordless MULTITALENT 12 SL, 1 sanding pad, Sanding sheets, 3 each of grit 80, 120, 180, 1 Universal E-CUT saw blade (29 mm), 1 rapid charger ALG 50, 2 Li-ion batteries (2,5 Ah), 1 plastic carrying case



General accessories



Quick charger ALG 50

For all FEIN Li-ion batteries. Charge time from 35 min.

Part number

9 26 04 129 01 0



Quick charger ALG 30

For FEIN NiCd and Li-ion batteries. Charge time from 25 min.

Part number

9 26 04 096 01 0



Battery pack

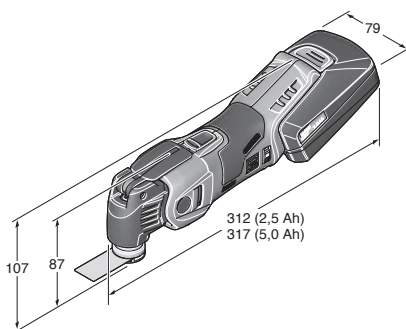
Li-ion with charge indicator

Current/ Voltages V	Capacity Ah	Part number
18	5	9 26 04 173 02 0
18	2,5	9 26 04 171 02 0
12	2,5	9 26 04 168 02 0

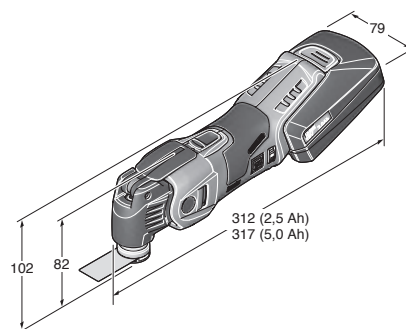


	AFSC 18 QSL Select	AFSC 18 QSL	AFSC 18 QCSL	AFSC 18 QSL - FEIN professional set for interior work with wood	AFSC 18 QSL - FEIN professional set for repairing / replacing windows	
	The most powerful cordless oscillator with rapid clamping system for interior work and renovation.			The most powerful system for interior work and renovation with special accessories for fast and precise sawing work when fitting wood.	The most powerful system for interior work and renovation with special accessories for dismantling old windows and replacing putty-mounted insulating glass.	
Page	42	42	42	43	43	
Technical features	Battery voltage (V)	18	18	18	18	18
	Battery capacity (Ah)		5	2,5	5	5
	Oscillations (rpm)	10 000-19 500	10 000-19 500	10 000-19 500	10 000-19 500	10 000-19 500
	Weight with battery (kg)		1,8	1,6	1,8	1,8
	Amplitude (Degrees)	2 x 2,0	2 x 2,0	2 x 2,0	2 x 2,0	2 x 2,0
	Tool Holder	StarlockMax	StarlockMax	StarlockMax	StarlockMax	StarlockMax
	Tool change	QuickIN	QuickIN	QuickIN	QuickIN	QuickIN
Mechanical interface	●	●	●	●	●	

● included



AFSC 18 QSL



AFSC 1.7 Q



	AFSC 18 QSL - FEIN professional set for tile restora- tion / bathroom renovation	AFSC 18 QSL - FEIN professional set for heating / sanitary installation	AFSC 1.7 Q - FEIN cordless professional set for vehicle glazing	AFSC 1.7 QC	AFSC 1.7 Q
	The most powerful system for interior work and renovation with special accessories for perfect removal of tiles and joints in bathroom renovation.	The most powerful system for interior work and renovation with special accessories for the key applications in sanitary repairs.	The powerful system for vehicle repairs with special accessories for quick and safe removal of vehicle windows.	The high-performance battery-powered oscillator with quick clamping system for the automotive industry.	
	44	44	45	45	45
	18	18	18	18	18
	5	5	5	2,5	5
	10 000-19 500	10 000-19 500	10 000-19 500	10 000-19 500	10 000-19 500
	1,8	1,8	1,8	1,6	1,8
	2 x 2,0	2 x 2,0	2 x 1,7	2 x 1,7	2 x 1,7
	StarlockMax	StarlockMax	Hexagon	Hexagon	Hexagon
	QuickIN	QuickIN	QuickIN	QuickIN	QuickIN
	●	●			

AFSC 18 QSL Select

New 2016
FEIN SELECT⁺



For accessories, see page 46 and 213
 For mains variant of tool, see page 210

The most powerful cordless oscillator with rapid clamping system for interior work and renovation.

Battery voltage	V	18
Oscillations	rpm	10 000-19 500
Amplitude	Degrees	2 x 2,0
Tool Holder		StarlockMax
Tool change		QuickIN
Part number	7 129 27 60 00 0	
EAN	4014586884295	

Tool must only be operated with new 2.5 Ah (9 26 04 171 02 0) or 5 Ah (9 26 04 173 02 0) storage batteries.

FEIN benefits:

- ▶ Same performance as the mains-powered tool, with outstanding work progress for professional use in a large number of tasks/sectors.
- ▶ Powerful 18 V Li-ion batteries with charge control display.
- ▶ State-of-the-art Li-ion technology with individual cell monitoring.
- ▶ StarlockMax tool mounting with outstanding torque transfer, suitable for all Starlock, StarlockPlus and StarlockMax accessories.
- ▶ All FEIN SUPERCUT accessories can be used.
- ▶ Convenient QuickIN quick clamping system.
- ▶ Outstanding FEIN quality and stability.
- ▶ Designed for continuous use and high loads.
- ▶ Electronic speed control.

Price includes:

1 FEIN cordless SUPERCUT AFSC 18 QSL, 1 plastic carrying case

AFSC 18 QSL

New 2016



For accessories, see page 46 and 213
 For mains variant of tool, see page 210

The most powerful cordless oscillator with rapid clamping system for interior work and renovation.

Battery voltage	V	18
Battery capacity	Ah	5
Oscillations	rpm	10 000-19 500
Weight with battery	kg	1,8
Amplitude	Degrees	2 x 2,0
Tool Holder		StarlockMax
Tool change		QuickIN
Part number	7 129 27 61 00 0	
EAN	4014586884301	

FEIN benefits:

- ▶ Same performance as the mains-powered tool, with outstanding work progress for professional use in a large number of tasks/sectors.
- ▶ Powerful 18 V Li-ion batteries with charge control display.
- ▶ State-of-the-art Li-ion technology with individual cell monitoring.
- ▶ StarlockMax tool mounting with outstanding torque transfer, suitable for all Starlock, StarlockPlus and StarlockMax accessories.
- ▶ Rapid charger for continuous working without interruption.
- ▶ All FEIN SUPERCUT accessories can be used.
- ▶ Convenient QuickIN quick clamping system.
- ▶ Outstanding FEIN quality and stability.
- ▶ Designed for continuous use and high loads.
- ▶ Electronic speed control.

Price includes:

1 FEIN cordless SUPERCUT AFSC 18 QSL, 2 battery packs (Li-ion), 1 battery charger, 1 plastic carrying case

AFSC 18 QCSL

New 2016



For accessories, see page 46 and 213
 For mains variant of tool, see page 210

The most powerful cordless oscillator with rapid clamping system for interior work and renovation.

Battery voltage	V	18
Battery capacity	Ah	2,5
Oscillations	rpm	10 000-19 500
Weight with battery	kg	1,6
Amplitude	Degrees	2 x 2,0
Tool Holder		StarlockMax
Tool change		QuickIN
Part number	7 129 27 62 00 0	
EAN	4014586884349	

FEIN benefits:

- ▶ Same performance as the mains-powered tool, with outstanding work progress for professional use in a large number of tasks/sectors.
- ▶ Powerful 18 V Li-ion batteries with charge control display.
- ▶ State-of-the-art Li-ion technology with individual cell monitoring.
- ▶ StarlockMax tool mounting with outstanding torque transfer, suitable for all Starlock, StarlockPlus and StarlockMax accessories.
- ▶ Rapid charger for continuous working without interruption.
- ▶ All FEIN SUPERCUT accessories can be used.
- ▶ Convenient QuickIN quick clamping system.
- ▶ Outstanding FEIN quality and stability.
- ▶ Designed for continuous use and high loads.
- ▶ Electronic speed control.

Price includes:

1 FEIN cordless SUPERCUT AFSC 18 QCSL, 2 battery packs (Li-ion), 1 battery charger, 1 plastic carrying case



AFSC 18 QSL - FEIN professional set for interior work with wood



For accessories, see page 46 and 213
For mains variant of tool, see page 210

The most powerful system for interior work and renovation with special accessories for fast and precise sawing work when fitting wood.

Battery voltage	V	18
Battery capacity	Ah	5
Oscillations	rpm	10 000-19 500
Weight with battery	kg	1,8
Amplitude	Degrees	2 x 2,0
Tool Holder		StarlockMax
Tool change		QuickIN
Part number		7 129 27 64 00 0
EAN		4014586884387

FEIN benefits:

- ▶ High-performance battery-powered SUPERCUT developed specially for use in interiors and woodworking.
- ▶ Complete set in high-quality tool case with the key accessories for the most common applications in this area.
- ▶ Can also be used as a fully-functional delta sander for accurate grinding in corners and edges without kickback.
- ▶ StarlockMax tool mounting with outstanding torque transfer, suitable for all Starlock, StarlockPlus and StarlockMax accessories.
- ▶ Same performance as the mains-powered tool.
- ▶ State-of-the-art Li-ion technology with individual cell monitoring.
- ▶ Powerful 18 V Li-ion batteries with charge control display.
- ▶ Rapid charger for continuous working without interruption.
- ▶ Convenient QuickIN quick clamping system.
- ▶ Outstanding FEIN quality and stability.
- ▶ Designed for continuous use and high loads.

Price includes:

1 FEIN cordless SUPERCUT AFSC 18 QSL, 1 HSS saw blade wood Ø 100 mm, 1 depth stop, 2 E-CUT precision BIM saw blades (form 205, 208), 5 E-CUT long-life saw blades (form 183, 160, 161, 201, 203), 2 E-CUT universal saw blades (form 151, 152), 1 sanding pad, 5 Sanding sheets each grit size (K 80, 120, 180), 2 battery packs (Li-ion), 1 battery charger, 1 plastic carrying case

AFSC 18 QSL - FEIN professional set for repairing / replacing windows



For accessories, see page 46 and 213
For mains variant of tool, see page 210

The most powerful system for interior work and renovation with special accessories for dismantling old windows and replacing putty-mounted insulating glass.

Battery voltage	V	18
Battery capacity	Ah	5
Weight with battery	kg	1,8
Oscillations	rpm	10 000-19 500
Amplitude	Degrees	2 x 2,0
Tool Holder		StarlockMax
Tool change		QuickIN
Part number		7 129 27 66 00 0
EAN		4014586884424

FEIN benefits:

- ▶ High-performance battery-powered SUPERCUT designed specially for use in repairing/replacing windows with a time saving of up to 80%.
- ▶ Complete set in high-quality tool case with the key accessories for the most common applications in this area.
- ▶ Ideal for use on the construction site to remove old window frames without damaging the walls or plaster, or alternatively to repair insulated windows.
- ▶ StarlockMax tool mounting with outstanding torque transfer, suitable for all Starlock, StarlockPlus and StarlockMax accessories.
- ▶ Same performance as the mains-powered tool.
- ▶ State-of-the-art Li-ion technology with individual cell monitoring.
- ▶ Powerful 18 V Li-ion batteries with charge control display.
- ▶ Rapid charger for continuous working without interruption.
- ▶ Convenient QuickIN quick clamping system.
- ▶ Outstanding FEIN quality and stability.
- ▶ Designed for continuous use and high loads.

Price includes:

1 FEIN cordless SUPERCUT AFSC 18 QSL, 1 HSS saw blade wood Ø 100 mm, 1 HSS saw blade for metal (diameter 100 mm), 1 E-CUT long-life saw blade (form 203), 1 E-CUT universal saw blade (form 152), 1 Cutter blade, mushroom shaped, 1 segment saw blade (form 244), 1 depth stop, 1 sanding pad, 5 Sanding sheets each grit size (K 80, 120, 180), 2 battery packs (Li-ion), 1 battery charger, 1 plastic carrying case

AFSC 18 QSL - FEIN professional set for tile restoration / bathroom renovation



For accessories, see page 46 and 213
For mains variant of tool, see page 210

The most powerful system for interior work and renovation with special accessories for perfect removal of tiles and joints in bathroom renovation.

Battery voltage	V	18
Battery capacity	Ah	5
Oscillations	rpm	10 000-19 500
Weight with battery	kg	1,8
Amplitude	Degrees	2 x 2,0
Tool Holder		StarlockMax
Tool change		QuickIN
Part number		7 129 27 67 00 0
EAN		4014586884431

FEIN benefits:

- ▶ High-performance battery-powered SUPERCUT developed specially for use in tile restoration/bathroom renovation.
- ▶ Complete set in high-quality tool case with the key accessories for the most common applications in this area.
- ▶ For accurate and clean installation and renovation work producing very little dirt and dust.
- ▶ StarlockMax tool mounting with outstanding torque transfer, suitable for all Starlock, StarlockPlus and StarlockMax accessories.
- ▶ Same performance as the mains-powered tool.
- ▶ State-of-the-art Li-ion technology with individual cell monitoring.
- ▶ Powerful 18 V Li-ion batteries with charge control display.
- ▶ Rapid charger for continuous working without interruption.
- ▶ Convenient QuickIN quick clamping system.
- ▶ Outstanding FEIN quality and stability.
- ▶ Designed for continuous use and high loads.

Price includes:

- 1 FEIN cordless SUPERCUT AFSC 18 QSL, 1 segment blade, diamond-coated (form 243), 1 carbide saw blade, diameter 105 mm (form 214), 2 E-CUT universal saw blades (form 151, 152), 1 Cutter blade, mushroom shaped, 1 Stopper knife, 2 Rasps, carbide-coated, triangular, perforated for dust extractor, 2 battery packs (Li-ion), 1 battery charger, 1 plastic carrying case

AFSC 18 QSL - FEIN professional set for heating / sanitary installation



For accessories, see page 46 and 213
For mains variant of tool, see page 210

The most powerful system for interior work and renovation with special accessories for the key applications in sanitary repairs.

Battery voltage	V	18
Battery capacity	Ah	5
Oscillations	rpm	10 000-19 500
Weight with battery	kg	1,8
Amplitude	Degrees	2 x 2,0
Tool Holder		StarlockMax
Tool change		QuickIN
Part number		7 129 27 68 00 0
EAN		4014586884448

FEIN benefits:

- ▶ High-performance battery-powered SUPERCUT developed specially for use in tile heating/sanitary installation.
- ▶ Complete set in high-quality tool case with the key accessories for the most common applications in this area.
- ▶ Including special cutting tools for laying hot water pipes or empty electrical pipes in rigid foam panels.
- ▶ StarlockMax tool mounting with outstanding torque transfer, suitable for all Starlock, StarlockPlus and StarlockMax accessories.
- ▶ Same performance as the mains-powered tool.
- ▶ State-of-the-art Li-ion technology with individual cell monitoring.
- ▶ Powerful 18 V Li-ion batteries with charge control display.
- ▶ Rapid charger for continuous working without interruption.
- ▶ Convenient QuickIN quick clamping system.
- ▶ Outstanding FEIN quality and stability.
- ▶ Designed for continuous use and high loads.

Price includes:

- 1 FEIN cordless SUPERCUT AFSC 18 QSL, 1 segment blade, diamond-coated (form 243), 1 of each cutting tool (12, 13 and 22 mm), 1 cutter blade, straight, long (form 239), 2 E-CUT universal saw blades (form 151, 152), 1 Stopper knife, 1 carbide-coated rasp, triangular, perforated for dust extraction, 2 battery packs (Li-ion), 1 battery charger, 1 plastic carrying case

AFSC 1.7 Q - FEIN cordless professional set for vehicle glazing

The powerful system for vehicle repairs with special accessories for quick and safe removal of vehicle windows.



For accessories, see page 46 and 232
For mains variant of tool, see page 210

Battery voltage	V	18
Battery capacity	Ah	5
Oscillations	rpm	10 000-19 500
Weight with battery	kg	1,8
Amplitude	Degrees	2 x 1,7
Tool Holder		Hexagon
Tool change		QuickIN
Part number		7 129 18 61 00 0
EAN		4014586884004

FEIN benefits:

- ▶ High-performance battery-powered SUPERCUT developed specially for use in vehicle glazing.
- ▶ Complete set in high-quality tool case with the key accessories for removing the most common vehicle windscreens.
- ▶ Convenient accessory changes without the need for extra tooling with the QuickIN clamping system.
- ▶ Same performance as the mains-powered tool.
- ▶ State-of-the-art Li-ion technology with individual cell monitoring.
- ▶ Powerful 18 V Li-ion batteries with charge control display.
- ▶ Rapid charger for continuous working without interruption.
- ▶ Outstanding FEIN quality and stability.
- ▶ Designed for continuous use and high loads.
- ▶ Hexagonal tool holder for optimum torque transfer.
- ▶ Long service lives of the cutter blades.
- ▶ High safety level with L-shaped blades.
- ▶ Other cutter blades available as accessories.

Price includes:

1 FEIN cordless SUPERCUT AFSC 1.7 Q, 3 L-shaped cutter blades, toothed (form 207), 2 L-shaped cutter blades, toothed (form 208), 1 L-shaped cutter blade, toothed (form 209), 1 each U-shaped cutter blade, reinforced design (forms 157 and 111), 2 U-shaped cutter blades, reinforced design, toothed (form 212), 1 Straight cutter blade, Z-bend, with adjustable roller stop (form 143), 1 Straight cutter blade, Z-bend, toothed (form 081), 1 protective cover for tool changes, 1 sharpening stone (6 37 19 010 01 4), 2 battery packs (Li-ion), 1 battery charger, 1 plastic carrying case

AFSC 1.7 QC

The high-performance battery-powered oscillator with quick clamping system for the automotive industry.



For accessories, see page 46 and 232
For mains variant of tool, see page 210

Battery voltage	V	18
Battery capacity	Ah	2,5
Oscillations	rpm	10 000-19 500
Weight with battery	kg	1,6
Amplitude	Degrees	2 x 1,7
Tool Holder		Hexagon
Tool change		QuickIN
Part number		7 129 18 62 00 0
EAN		4014586885186

FEIN benefits:

- ▶ Same performance as the mains-powered tool, with outstanding work progress for professional use in a large number of tasks/sectors.
- ▶ Powerful 18 V Li-ion batteries with charge control display.
- ▶ State-of-the-art Li-ion technology with individual cell monitoring.
- ▶ Rapid charger for continuous working without interruption.
- ▶ All FEIN SUPERCUT accessories can be used.
- ▶ Convenient QuickIN quick clamping system.
- ▶ Outstanding FEIN quality and stability.
- ▶ Designed for continuous use and high loads.
- ▶ Factory-recommended by leading automobile manufacturers.
- ▶ Continuously variable speed.
- ▶ Hexagonal tool holder for optimum torque transfer.

Price includes:

1 FEIN cordless SUPERCUT AFSC 1.7 QC, 1 sharpening stone (6 37 19 010 01 4), 1 protective cover for tool changes, 2 battery packs (Li-ion), 1 battery charger, 1 plastic carrying case

AFSC 1.7 Q

The high-performance battery-powered oscillator with quick clamping system for the automotive industry.



For accessories, see page 46 and 232
For mains variant of tool, see page 210

Battery voltage	V	18
Battery capacity	Ah	5
Oscillations	rpm	10 000-19 500
Weight with battery	kg	1,8
Amplitude	Degrees	2 x 1,7
Tool Holder		Hexagon
Tool change		QuickIN
Part number		7 129 18 63 00 0
EAN		4014586885209

FEIN benefits:

- ▶ Same performance as the mains-powered tool, with outstanding work progress for professional use in a large number of tasks/sectors.
- ▶ Powerful 18 V Li-ion batteries with charge control display.
- ▶ State-of-the-art Li-ion technology with individual cell monitoring.
- ▶ Rapid charger for continuous working without interruption.
- ▶ All FEIN SUPERCUT accessories can be used.
- ▶ Convenient QuickIN quick clamping system.
- ▶ Outstanding FEIN quality and stability.
- ▶ Designed for continuous use and high loads.
- ▶ Factory-recommended by leading automobile manufacturers.
- ▶ Continuously variable speed.
- ▶ Hexagonal tool holder for optimum torque transfer.

Price includes:

1 FEIN cordless SUPERCUT AFSC 1.7 Q, 1 sharpening stone (6 37 19 010 01 4), 1 protective cover for tool changes, 2 battery packs (Li-ion), 1 battery charger, 1 plastic carrying case

General accessories



Quick charger ALG 50
For all FEIN Li-ion batteries. Charge time from 35 min.

Part number
9 26 04 129 01 0



Quick charger ALG 30
For FEIN NiCd and Li-ion batteries. Charge time from 25 min.

Part number
9 26 04 096 01 0



Battery pack
Li-ion with charge indicator

Current/ Voltages V	Capacity Ah	Part number
18	5	9 26 04 173 02 0
18	2,5	9 26 04 171 02 0



Systainer Sys 2
Plastic, inner dimensions: H 127.5 x W 383 x D 267 mm
The tool-specific Systainer insert must be ordered separately.

Part number
3 39 01 147 00 0

Systainer insert for AFSC 18 Q

Part number
3 39 04 542 00 0

ABSS 1.6 E

Ergonomic, curve-compatible cordless slitting shears for distortion-free cutting.



For accessories, see page 47

For mains variant of tool, see page 124

Battery voltage	V	14,4
Battery capacity	Ah	5
Strokes	rpm	2 000-3 500
Cutting speed	m/min	5 - 8
Weight with battery	kg	1,9
Max. cutting capacity		
Steel up to 400 N/mm ²	mm	1,6
Steel up to 600 N/mm ²	mm	1,2
Steel up to 800 N/mm ²	mm	0,8
Non-ferrous metals up to 250 N/mm ²	mm	2,0
Cutting width	mm	5,0
Rad. of smallest curve	mm	90 (30) ¹
Immersion Ø	mm	15 (8) ¹
Part number		7 130 01 61 00 0
EAN		4014586876078

FEIN benefits:

- ▶ Rapid work progress due to excellent view of the cutting line through the open-fronted cutting head.
- ▶ Left and right curve cuts and distortion-free cutting possible with just one continuous chip.
- ▶ QuickIN for rapid toolfree blade changing, with no further adjustment required.
- ▶ Excellent ergonomics and low weight.
- ▶ Motor with outstanding performance and stability.
- ▶ Cutting blade with excellent tool life.
- ▶ Cutting capacity with one battery charge: 120 m.
- ▶ Clean swarf removal prevents injuries or scratches on workpieces.
- ▶ Stainless steel up to 1.2 mm.
- ▶ Wide range of accessories.
- ▶ ¹ with blade for curves

Price includes:

- 1 ABSS 1.6 E, 2 battery packs (Li-ion), 1 ALG 50 rapid charger,
- 1 Knife, straight, up to 1.6 mm, 1 pair of cutting bars, 1 key,
- 1 plastic carrying case

Slitting shears**General accessories****Tool case**

Plastic, inner dimensions: 470 x 275 x 116 mm

Part number
3 39 01 118 01 0**Plastic box**

Box insert with lockable lid for small parts and accessories, suitable for tool box 3 39 01 118 01 0, max 5 items/box.

Part number
3 39 01 119 00 0**Quick charger ALG 50**

For all FEIN Li-ion batteries. Charge time from 35 min.

Part number
9 26 04 129 01 0**Quick charger ALG 30**

For FEIN NiCd and Li-ion batteries. Charge time from 25 min.

Part number
9 26 04 096 01 0**Battery pack**

Li-ion with charge indicator

Current/ Voltage V	Capacity Ah	Part number
14,4	5	9 26 04 172 02 0
14,4	2,5	9 26 04 170 02 0
14,4	4	9 26 04 164 02 0
14,4	2	9 26 04 160 02 0

**Cutting paste**

Lubricating agents for working on sheet metals.

Part number
3 21 32 020 12 9**Cutting blade**for steel sheet up to 400 N/mm²

Plate thickness mm	Part number
1,6	3 13 08 150 00 9

Cutting bladefor stainless steel up to 800 N/mm²

Plate thickness mm	Part number
0,8	3 13 08 152 00 1

Blade for curvesfor steel sheet up to 400 N/mm²

Plate thickness mm	Part number
1,0	3 13 08 151 00 8

Cutting bars

1 pair

Part number
3 13 08 153 01 4

ABLS 1.6 E

Ergonomic, curve-compatible cordless sheet metal shears for cutting and trimming thin sheets.



For accessories, see page 48
For mains variant of tool, see page 127

Battery voltage	V	14,4
Battery capacity	Ah	5
Strokes	rpm	2 200-3 700
Cutting speed	m/min	6 - 9
Weight with battery	kg	2,1
Max. cutting capacity		
Steel up to 400 N/mm ²	mm	1,6
Steel up to 600 N/mm ²	mm	1,2
Steel up to 800 N/mm ²	mm	1,0
Non-ferrous metals up to 250 N/mm ²	mm	2,0
Rad. of smallest curve	mm	15
Part number	7 130 02 61 00 0	
EAN	4014586876153	

FEIN benefits:

- ▶ Outstanding ergonomics through compact and simple construction for optimal mobility of the shears.
- ▶ Good curve precision with low sheet-metal distortion.
- ▶ Four-fold reversing blade for clean and burr-free cutting with low operating costs.
- ▶ Perfect for trimming and cutting.
- ▶ Unrestricted view of the cutting line.
- ▶ Motor with outstanding performance and stability.
- ▶ Cutting capacity with one battery charge: 140 m.
- ▶ Stainless steel up to 1.0 mm.

Price includes:

1 ABLS 1.6 E, 2 battery packs (Li-ion), 1 ALG 50 rapid charger, 1 pair of blades, 1 set of wrenches, 1 hand guard, 1 plastic carrying case

Sheet metal shears

General accessories



Tool case

Plastic, inner dimensions: 470 x 275 x 116 mm

Part number
3 39 01 118 01 0



Plastic box

Box insert with lockable lid for small parts and accessories, suitable for tool box 3 39 01 118 01 0, max 5 items/box.

Part number
3 39 01 119 00 0



Quick charger ALG 50

For all FEIN Li-ion batteries. Charge time from 35 min.

Part number
9 26 04 129 01 0



Quick charger ALG 30

For FEIN NiCd and Li-ion batteries. Charge time from 25 min.

Part number
9 26 04 096 01 0



Battery pack

Li-ion with charge indicator

Current/ Voltages V	Capacity Ah	Part number
14,4	5	9 26 04 172 02 0
14,4	2,5	9 26 04 170 02 0
14,4	4	9 26 04 164 02 0
14,4	2	9 26 04 160 02 0



Cutting paste

Lubricating agents for working on sheet metals.

Part number
3 21 32 020 12 9



Plunger blade and fixed blade

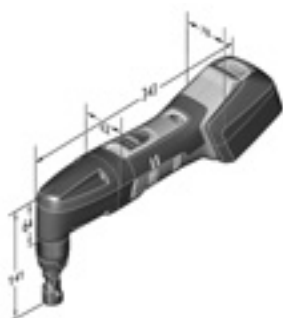
for steel sheet up to 800 N/mm²

Part number
3 13 08 072 00 0



	ABLK 1.6 E	ABLK 1.3 CSE	ABLK 1.3 TE	
	Universal cordless nibbler for trapezoid and corrugated sheet metals, profiles and single rolled sheets.	Compact and rapid cordless nibbler for corrugated sheet metals.	Compact and rapid cordless nibbler for trapezoid sheet metals.	
Page	50	50	50	
Application	Curve cuts	▲▲	▲▲	▲▲
	Cut-outs	▲	▲	▲
Equipment	QuickIN	●	●	●
	Cutting direction	8 x 45°	8 x 45°	8 x 45°
	Rotating round punch	●	●	●
Technical features	Battery voltage (V)	14,4	14,4	14,4
	Battery capacity (Ah)	5	5	5
	Strokes (rpm)	1 300	1 600	1 600
	Cutting speed (m/min)	1,5	1,9	1,9
	Weight with battery (kg)	2,1	2,1	2,1
	Steel up to 400 N/mm ² (mm)	1,6	1,3	1,3
	Steel up to 600 N/mm ² (mm)	1,0	0,8	0,8
	Steel up to 800 N/mm ² (mm)	0,7	0,6	0,6
	Non-ferrous metals up to 250 N/mm ² (mm)	2,5	2,0	2,0
	Cutting width (mm)	5	4	4
	Immersion Ø with die (mm)	22	19	19
Rad. of smallest curve (inside/outside) (mm)	30/35	15/20	25/30	
Material	Trapezoid sheet metal up to 85 mm deep channels	▲	▲▲	▲▲
	Corrugated sheet metal	▲	▲▲	▲
	Profile		▲	▲
	Single rolled sheets	▲	▲▲	▲▲
	Single rolled sheets - slightly corrugated	▲	▲▲	▲▲
Trapezoid sheet metal up to 160 mm deep channels	▲▲			

▲ suitability ▲▲ optimal suitability ● included



ABLK 1.3



ABLK 1.6

ABLK 1.6 E

Universal cordless nibbler for trapezoid and corrugated sheet metals, profiles and single rolled sheets.



For accessories, see page 51
For mains variant of tool, see page 130

Battery voltage	V	14,4
Battery capacity	Ah	5
Strokes	rpm	1 300
Cutting speed	m/min	1,5
Weight with battery	kg	2,1
Max. cutting capacity		
Steel up to 400 N/mm ²	mm	1,6
Steel up to 600 N/mm ²	mm	1,0
Steel up to 800 N/mm ²	mm	0,7
Non-ferrous metals up to 250 N/mm ²	mm	2,5
Cutting width	mm	5
Immersion Ø with die	mm	22
Rad. of smallest curve (inside/outside)	mm	30/35
Part number	7 132 01 61 00 0	
EAN	4014586869643	

FEIN benefits:

- ▶ 30 m of cutting in 0.8 mm trapezoid sheet metal with one battery.
- ▶ 1.5 m/min cutting speed for excellent work progress.
- ▶ Variable cutting speed due to electronically adjustable speed control.
- ▶ Brief overlapping area up to 2.6 mm.
- ▶ Optimum handling due to extremely slim gearbox head.
- ▶ More than 1,000 charge cycles per battery pack.
- ▶ Pleasantly light weight of 2.1 kg.
- ▶ QuickIN clamping system.
- ▶ Rotating punch for a service life which is now up to 30% longer.
- ▶ Cutting direction setting can be changed in 45° steps up to 360° using tool-free pivoting cutting head.
- ▶ Proven MULTIMASTER motor with outstanding performance and stability.
- ▶ Low operating costs. Punch and die are replaced independently of one another.

Price includes:

1 ABLK 1.6 E in plastic tool case, 1 rapid charger ALG 50, 2 battery packs (Li-ion)

ABLK 1.3 CSE

Compact and rapid cordless nibbler for corrugated sheet metals.



For accessories, see page 51
For mains variant of tool, see page 130

Battery voltage	V	14,4
Battery capacity	Ah	5
Strokes	rpm	1 600
Cutting speed	m/min	1,9
Weight with battery	kg	2,1
Max. cutting capacity		
Steel up to 400 N/mm ²	mm	1,3
Steel up to 600 N/mm ²	mm	0,8
Steel up to 800 N/mm ²	mm	0,6
Non-ferrous metals up to 250 N/mm ²	mm	2,0
Cutting width	mm	4
Immersion Ø with die	mm	19
Rad. of smallest curve (inside/outside)	mm	15/20
Part number	7 132 02 61 00 0	
EAN	4014586869698	

FEIN benefits:

- ▶ 30 m of cutting in 0.8 mm trapezoid sheet metal with one battery.
- ▶ 1.9 m/min cutting speed for excellent work progress.
- ▶ Variable cutting speed due to electronically adjustable speed control.
- ▶ Brief overlapping area up to 2.6 mm.
- ▶ Optimum handling due to extremely slim gearbox head.
- ▶ More than 1,000 charge cycles per battery pack.
- ▶ Pleasantly light weight of 2.1 kg.
- ▶ QuickIN clamping system.
- ▶ Rotating punch for a service life which is now up to 30% longer.
- ▶ Cutting direction setting can be changed in 45° steps up to 360° using tool-free pivoting cutting head.
- ▶ Proven MULTIMASTER motor with outstanding performance and stability.

Price includes:

1 ABLK 1.3 in plastic tool case, 1 rapid charger ALG 50, 2 battery packs (Li-ion)

ABLK 1.3 TE

Compact and rapid cordless nibbler for trapezoid sheet metals.



For accessories, see page 51
For mains variant of tool, see page 130

Battery voltage	V	14,4
Battery capacity	Ah	5
Strokes	rpm	1 600
Cutting speed	m/min	1,9
Weight with battery	kg	2,1
Max. cutting capacity		
Steel up to 400 N/mm ²	mm	1,3
Steel up to 600 N/mm ²	mm	0,8
Steel up to 800 N/mm ²	mm	0,6
Non-ferrous metals up to 250 N/mm ²	mm	2,0
Cutting width	mm	4
Immersion Ø with die	mm	19
Rad. of smallest curve (inside/outside)	mm	25/30
Part number	7 132 03 61 00 0	
EAN	4014586869742	

FEIN benefits:

- ▶ 30 m of cutting in 0.8 mm trapezoid sheet metal with one battery.
- ▶ 1.9 m/min cutting speed for excellent work progress.
- ▶ Variable cutting speed due to electronically adjustable speed control.
- ▶ Brief overlapping area up to 2.6 mm.
- ▶ Optimum handling due to extremely slim gearbox head.
- ▶ More than 1,000 charge cycles per battery pack.
- ▶ Pleasantly light weight of 2.1 kg.
- ▶ QuickIN clamping system.
- ▶ Rotating punch for a service life which is now up to 30% longer.
- ▶ Cutting direction setting can be changed in 45° steps up to 360° using tool-free pivoting cutting head.
- ▶ Proven MULTIMASTER motor with outstanding performance and stability.

Price includes:

1 ABLK 1.3 in plastic tool case, 1 rapid charger ALG 50, 2 battery packs (Li-ion)



General accessories



Tool case
Plastic, inner dimensions: 470 x 275 x 116 mm

Part number
3 39 01 118 01 0



Plastic box
Box insert with lockable lid for small parts and accessories, suitable for tool box 3 39 01 118 01 0, max 5 items/box.

Part number
3 39 01 119 00 0



Quick charger ALG 50
For all FEIN Li-ion batteries. Charge time from 35 min.

Part number
9 26 04 129 01 0



Quick charger ALG 30
For FEIN NiCd and Li-ion batteries. Charge time from 25 min.

Part number
9 26 04 096 01 0



Battery pack
Li-ion with charge indicator

Current/ Voltages V	Capacity Ah	Part number
14,4	5	9 26 04 172 02 0
14,4	2,5	9 26 04 170 02 0
14,4	4	9 26 04 164 02 0
14,4	2	9 26 04 160 02 0



Cutting paste
Lubricating agents for working on sheet metals.

Part number
3 21 32 020 12 9

Accessories for ABLK 1.3 CSE

Die
for corrugated sheet metal

No. in pack pcs	Part number
1	3 01 09 169 00 9
2	3 01 09 169 04 0

Punches and dies in a set
consisting of 5 x punches 6 36 02 050 00 0
and 1 x die 3 01 09 169 00 9.

Part number
3 01 09 169 03 0

Accessories for ABLK 1.3 TE

Punches and dies in a set
consisting of 5 x punches 6 36 02 050 00 0
and 1 x die 3 01 09 170 00 1.

Part number
3 01 09 170 03 0

Die
for trapezoidal sheet metal

No. in pack pcs	Part number
1	3 01 09 170 00 1
2	3 01 09 170 04 0

Accessories for ABLK 1.6 E



Punch

No. in pack pcs	Part number
1	6 36 02 048 00 4
5	6 36 02 048 04 0
10	6 36 02 048 05 0



Die

No. in pack pcs	Part number
1	3 01 09 141 00 3
2	3 01 09 141 02 0
5	3 01 09 141 03 0



Punches and dies
in set, each consisting of 1x punch 6 36 02 048 004
and 1x die 3 01 09 141 003.

Part number
6 36 02 048 01 3



Die holder
for trapezoidal sheet metal and corrugated sheet metal

Part number
3 01 09 154 00 7



Profile set 160
For deep-channel trapezoidal sheet metals (85-160 mm),
incl. 1 punch, die and wearing plate.

Part number
9 26 02 071 01 9

Accessories for ABLK 1.3 CSE (TE)



Punch
for steel sheet up to 400 N/mm²

Plate thickness mm	No. in pack pcs	Part number
1,3	1	6 36 02 050 00 0
1,3	5	6 36 02 050 03 0
1,3	10	6 36 02 050 01 0



	ABOP 6	ABOP 6 Select	ABOP 10	ABOP 10 Select	ABOP 13-2	ABOP 13-2 Select	AWBP 10	AWBP 10 Select
	Fast-running single-speed drill (battery-powered) with excellent speed stability, up to 6 mm in steel in metal construction.		Compact single-speed drill with speed stability (battery-powered), up to 10 mm in steel for on-site installation work.		Universal two-speed drill (battery-powered), up to 13 mm with ideal speed range for steel and stainless steel.		Extremely small cordless angle drill for working in difficult-to-reach spots.	
Page	53	53	53	54	54	54	55	55
Technical features								
Battery voltage (V)	18	18	18	18	18	18	18	18
Battery capacity (Ah)	5		5		5		2,5	
Capacity in steel Ø (mm)	6	6	10	10	13/10	13/10	10	10
Capacity in Ø stainless steel (mm)	6	6	10	10	13/10	13/10	10	10
Capacity in alu Ø (mm)	10	10	15	15	16/10	16/10	15	15
Capacity in wood Ø (mm)	20	20	30	30	37/27	37/27	25	25
Tapping			M 6	M 6	M 10	M 10	M 6	M 6
Speed, full load (rpm)	0-2 900	0-2 900	0-1 100	0-1 100	0-500/0-1 500	0-500/0-1 500	0-1 260	0-1 260
Weight with battery (kg)	2,1		2,2		2,4		1,7	

ABOP 6

Fast-running single-speed drill (battery-powered) with excellent speed stability, up to 6 mm in steel in metal construction.



For accessories, see page 56
For mains variant of tool, see page 64

Battery voltage	V	18
Battery capacity	Ah	5
Speed, full load	rpm	0-2 900
Speed, no load	rpm	0-3 350
Torque at max. output power	Nm	4
Stall torque	Nm	7
Capacity in steel Ø	mm	6
capacity in Ø stainless steel	mm	6
Capacity in alu Ø	mm	10
Capacity in wood Ø	mm	20
Collar Ø	mm	43
Drill chuck clamping width	mm	0,5-10
Thread of spindle		1/2"-20 UNF
Width across corners	mm	23
Weight with battery	kg	2,1
Part number		7 105 01 61 00 0
EAN		4014586870250

FEIN benefits:

- ▶ Outstanding quality battery-powered drill with high concentricity for precise drilling results.
- ▶ Maintenance-free, brushless and highly-effective EC motor with good speed stability.
- ▶ Optimum speed for lower diameters and therefore economic working with efficient use of the machine.
- ▶ Metal gear head.
- ▶ High-precision metal drill chuck.
- ▶ Self-tightening drill chuck clamping jaws.
- ▶ Automatic spindle locking and single sheath quick clamping drill chuck.
- ▶ FEIN Sensitive Handle.
- ▶ Variable speed control.
- ▶ Reversible.

Price includes:

1 SUPRA SKE single sheath metal quick clamping drill chuck, 1 additional handle, 1 rapid charger ALG 50, 2 battery packs (Li-ion), 1 plastic carrying case

ABOP 6 Select

Fast-running single-speed drill (battery-powered) with excellent speed stability, up to 6 mm in steel in metal construction.



For accessories, see page 56
For mains variant of tool, see page 64

Battery voltage	V	18
Speed, full load	rpm	0-2 900
Speed, no load	rpm	0-3 350
Torque at max. output power	Nm	4
Stall torque	Nm	7
Capacity in steel Ø	mm	6
capacity in Ø stainless steel	mm	6
Capacity in alu Ø	mm	10
Capacity in wood Ø	mm	20
Collar Ø	mm	43
Drill chuck clamping width	mm	0,5-10
Thread of spindle		1/2"-20 UNF
Width across corners	mm	23
Part number		7 105 01 62 00 0
EAN		4014586881744

FEIN benefits:

- ▶ Outstanding quality battery-powered drill with high concentricity for precise drilling results.
- ▶ Maintenance-free, brushless and highly-effective EC motor with good speed stability.
- ▶ Optimum speed for lower diameters and therefore economic working with efficient use of the machine.
- ▶ Metal gear head.
- ▶ High-precision metal drill chuck.
- ▶ Self-tightening drill chuck clamping jaws.
- ▶ Automatic spindle locking and single sheath quick clamping drill chuck.
- ▶ FEIN Sensitive Handle.
- ▶ Variable speed control.
- ▶ Reversible.

Price includes:

1 SUPRA SKE single sheath metal quick clamping drill chuck, 1 additional handle, 1 plastic carrying case

ABOP 10

Compact single-speed drill with speed stability (battery-powered), up to 10 mm in steel for on-site installation work.



For accessories, see page 56
For mains variant of tool, see page 64

Battery voltage	V	18
Battery capacity	Ah	5
Speed, full load	rpm	0-1 100
Speed, no load	rpm	0-1 250
Torque at max. output power	Nm	11
Stall torque	Nm	19
Capacity in steel Ø	mm	10
capacity in Ø stainless steel	mm	10
Capacity in alu Ø	mm	15
Capacity in wood Ø	mm	30
Tapping		M 6
Collar Ø	mm	43
Drill chuck clamping width	mm	1,5-13
Thread of spindle		1/2"-20 UNF
Width across corners	mm	23
Weight with battery	kg	2,2
Part number		7 105 02 61 00 0
EAN		4014586870267

FEIN benefits:

- ▶ Outstanding quality battery-powered drill with high concentricity for precise drilling results.
- ▶ Maintenance-free, brushless and highly-effective EC motor with good speed stability.
- ▶ Particularly flat and slim design with excellent width across corners for installation work even in tight spaces and corners.
- ▶ Metal gear head.
- ▶ High-precision metal drill chuck.
- ▶ Self-tightening drill chuck clamping jaws.
- ▶ Automatic spindle locking and single sheath quick clamping drill chuck.
- ▶ FEIN Sensitive Handle.
- ▶ Variable speed control.
- ▶ Reversible.

Price includes:

1 SUPRA SKE single sheath metal quick clamping drill chuck, 1 additional handle, 1 rapid charger ALG 50, 2 battery packs (Li-ion), 1 plastic carrying case

ABOP 10 Select



For accessories, see page 56
For mains variant of tool, see page 64

Compact single-speed drill with speed stability (battery-powered), up to 10 mm in steel for on-site installation work.

Battery voltage	V	18
Speed, full load	rpm	0-1 100
Speed, no load	rpm	0-1 250
Torque at max. output power	Nm	11
Stall torque	Nm	19
Capacity in steel Ø	mm	10
capacity in Ø stainless steel	mm	10
Capacity in alu Ø	mm	15
Capacity in wood Ø	mm	30
Tapping		M 6
Collar Ø	mm	43
Drill chuck clamping width	mm	1,5-13
Thread of spindle		1/2"-20 UNF
Width across corners	mm	23
Part number		7 105 02 62 00 0
EAN		4014586881751

FEIN benefits:

- ▶ Outstanding quality battery-powered drill with high concentricity for precise drilling results.
- ▶ Maintenance-free, brushless and highly-effective EC motor with good speed stability.
- ▶ Particularly flat and slim design with excellent width across corners for installation work even in tight spaces and corners.
- ▶ Metal gear head.
- ▶ High-precision metal drill chuck.
- ▶ Self-tightening drill chuck clamping jaws.
- ▶ Automatic spindle locking and single sheath quick clamping drill chuck.
- ▶ FEIN Sensitive Handle.
- ▶ Variable speed control.
- ▶ Reversible.

Price includes:

- 1 SUPRA SKE single sheath metal quick clamping drill chuck,
- 1 additional handle, 1 plastic carrying case

ABOP 13-2



For accessories, see page 56
For mains variant of tool, see page 64

Universal two-speed drill (battery-powered), up to 13 mm with ideal speed range for steel and stainless steel.

Battery voltage	V	18
Battery capacity	Ah	5
Speed, full load	rpm	0-500/0-1 500
Speed, no load	rpm	0-580/0-1 760
Torque at max. output power	Nm	24/8
Stall torque	Nm	39/13
Capacity in steel Ø	mm	13/10
capacity in Ø stainless steel	mm	13/10
Capacity in alu Ø	mm	16/10
Capacity in wood Ø	mm	37/27
Tapping		M 10
Collar Ø	mm	43
Drill chuck clamping width	mm	1,5-13
Thread of spindle		1/2"-20 UNF
Width across corners	mm	23
Weight with battery	kg	2,4
Part number		7 105 03 61 00 0
EAN		4014586870274

FEIN benefits:

- ▶ Outstanding quality battery-powered drill with high concentricity for precise drilling results.
- ▶ Maintenance-free, brushless and highly-effective EC motor with good speed stability.
- ▶ Mechanical two-speed gearbox for optimum speed adjustment for a wide range of uses.
- ▶ Metal gear head.
- ▶ High-precision metal drill chuck.
- ▶ Self-tightening drill chuck clamping jaws.
- ▶ Automatic spindle locking and single sheath quick clamping drill chuck.
- ▶ FEIN Sensitive Handle.
- ▶ Variable speed control.
- ▶ Reversible.

Price includes:

- 1 SUPRA SKE single sheath metal quick clamping drill chuck,
- 1 additional handle, 1 rapid charger ALG 50, 2 battery packs (Li-ion), 1 plastic carrying case

ABOP 13-2 Select



For accessories, see page 56
For mains variant of tool, see page 64

Universal two-speed drill (battery-powered), up to 13 mm with ideal speed range for steel and stainless steel.

Battery voltage	V	18
Speed, full load	rpm	0-500/0-1 500
Speed, no load	rpm	0-580/0-1 760
Torque at max. output power	Nm	24/8
Stall torque	Nm	39/13
Capacity in steel Ø	mm	13/10
capacity in Ø stainless steel	mm	13/10
Capacity in alu Ø	mm	16/10
Capacity in wood Ø	mm	37/27
Tapping		M 10
Collar Ø	mm	43
Drill chuck clamping width	mm	1,5-13
Thread of spindle		1/2"-20 UNF
Width across corners	mm	23
Part number		7 105 03 62 00 0
EAN		4014586881768

FEIN benefits:

- ▶ Outstanding quality battery-powered drill with high concentricity for precise drilling results.
- ▶ Maintenance-free, brushless and highly-effective EC motor with good speed stability.
- ▶ Mechanical two-speed gearbox for optimum speed adjustment for a wide range of uses.
- ▶ Metal gear head.
- ▶ High-precision metal drill chuck.
- ▶ Self-tightening drill chuck clamping jaws.
- ▶ Automatic spindle locking and single sheath quick clamping drill chuck.
- ▶ FEIN Sensitive Handle.
- ▶ Variable speed control.
- ▶ Reversible.

Price includes:

- 1 SUPRA SKE single sheath metal quick clamping drill chuck,
- 1 additional handle, 1 plastic carrying case

**AWBP 10**

Extremely small cordless angle drill for working in difficult-to-reach spots.



For accessories, see page 56

For mains variant of tool, see page 74

Battery voltage	V	18
Battery capacity	Ah	2,5
Speed, full load	rpm	0-1 260
Speed, no load	rpm	0-1 370
Torque at max. output power	Nm	9,5
Stall torque	Nm	17
Capacity in steel Ø	mm	10
capacity in Ø stainless steel	mm	10
Capacity in alu Ø	mm	15
Capacity in wood Ø	mm	25
Tapping		M 6
Drill chuck clamping width	mm	0,8-10
Cone at drill shaft		B 10
Width across corners	mm	17
Gearbox head height	mm	96
Weight with battery	kg	1,7
Part number		7 105 04 61 00 0
EAN		4014586878829

FEIN benefits:

- ▶ Maintenance-free, brushless and highly-effective EC motor with good speed stability.
- ▶ Particularly flat and slim design with 17 mm width across corners and 96 mm gearbox head height for work in tight spaces and corners.
- ▶ Flexible and universal use thanks to clockwise and reverse running for thread cuts up to M6.
- ▶ Metal gear head.
- ▶ Tapered drill shaft.
- ▶ High-precision metal drill chuck.
- ▶ High concentricity.
- ▶ FEIN Sensitive Handle.

Price includes:

1 battery pack (Li-ion), 1 rapid charger ALG 50, 1 3-jaw chuck up to Ø 10 mm, 1 drill chuck key, 1 plastic carrying case

AWBP 10 Select

Extremely small cordless angle drill for working in difficult-to-reach spots.

FEIN SELECT⁺

For accessories, see page 56

For mains variant of tool, see page 74

Battery voltage	V	18
Speed, full load	rpm	0-1 260
Speed, no load	rpm	0-1 370
Torque at max. output power	Nm	9,5
Stall torque	Nm	17
Capacity in steel Ø	mm	10
capacity in Ø stainless steel	mm	10
Capacity in alu Ø	mm	15
Capacity in wood Ø	mm	25
Tapping		M 6
Drill chuck clamping width	mm	0,8-10
Cone at drill shaft		B 10
Gearbox head height	mm	96
Width across corners	mm	17
Part number		7 105 04 62 00 0
EAN		4014586881775

FEIN benefits:

- ▶ Maintenance-free, brushless and highly-effective EC motor with good speed stability.
- ▶ Particularly flat and slim design with 17 mm width across corners and 96 mm gearbox head height for work in tight spaces and corners.
- ▶ Flexible and universal use thanks to clockwise and reverse running for thread cuts up to M6.
- ▶ Metal gear head.
- ▶ Tapered drill shaft.
- ▶ High-precision metal drill chuck.
- ▶ High concentricity.
- ▶ FEIN Sensitive Handle.

Price includes:

1 3-jaw chuck up to Ø 10 mm, 1 drill chuck key, 1 plastic carrying case

General accessories



Tool case
With case insert and plastic box
Plastic, inner dimensions: 470 x 275 x 116 mm

Part number
3 39 01 131 08 0



Quick charger ALG 50
For all FEIN Li-ion batteries. Charge time from 35 min.

Part number
9 26 04 129 01 0



Quick charger ALG 30
For FEIN NiCd and Li-ion batteries. Charge time from 25 min.

Part number
9 26 04 096 01 0



Battery pack
Li-ion with charge indicator

Current/ Voltages V	Capacity Ah	Part number
18	5	9 26 04 173 02 0
18	4	9 26 04 165 02 0
18	2,5	9 26 04 171 02 0
18	2	9 26 04 161 02 0



Battery starter set
Very durable, light 18 V Li-ion batteries with innovative SafetyCell technology, 4 Ah capacity and charge indicator.

Current/ Voltages V	Capacity Ah	Part number
18	4	9 26 04 300 02 0



Battery starter set
Durable, light 18 V Li-ion batteries with innovative SafetyCell technology, 2 Ah capacity and charge indicator.

Current/ Voltages V	Capacity Ah	Part number
18	2	9 26 04 300 01 0



Suspension Device
for hooking onto a balancer
horizontal and vertical

Part number
3 21 25 050 00 7

Accessories for ABOP 6



Quick-action chucks
Single sheath metal SUPRA SKE quick clamping drill chuck with locking force safety device, drill chuck holder 1/2"-20 UNF

Chuck opening mm	Part number
0,5 - 10	6 32 05 036 01 0

Jaw spanner SW17

Part number
6 29 03 002 00 9



Depth stop

Part number
3 21 27 005 00 6

Accessories for ABOP 10 (13-2)



Quick-action chucks
Single sheath metal SUPRA SKE quick clamping drill chuck with locking force safety device, drill chuck holder 1/2"-20 UNF

Chuck opening mm	Part number
1,5-13	6 32 05 035 01 0

Jaw spanner SW17

Part number
6 29 03 002 00 9



Depth stop

Part number
3 21 27 005 00 6

Accessories for AWBP 10



Tool case
With case insert and plastic box

Part number
3 39 01 131 94 0



Key-type drill chucks
Drill chuck holder B 10

Chuck opening mm	Weight kg	Part number
0,5 - 8	0,14	6 32 02 043 01 0
0,8 - 10	0,22	6 32 02 044 01 8



SuperWire

Reliable removal of glass without the need to reposition even with tight clearances.



For accessories, see page 57

Battery voltage	V	18
Battery capacity	Ah	3,0
Weight	kg	6
Part number	7 144 01 61 00 0	
EAN	4014586872544	

FEIN benefits:

- ▶ Simple removal of glass without the need to reposition the SuperWire.
- ▶ Can even be used if the windscreen is very curved and with small gaps.
- ▶ High-strength round wire even cuts through double adhesive beads.
- ▶ Robust gearbox and motor unit with slipping clutch.
- ▶ Remove 40-60 panes with one battery charge.
- ▶ Brushless, maintenance-free motor.
- ▶ Remote control with LED lamp and 1.5 m cable.
- ▶ Slipping clutch prevents wire breakage.

Price includes:

1 battery pack (Li-ion), 1 rapid charger ALG 50, 2 PVC covers (dashboard + headliner), 300 m round wire, 10 metal skewers, 1 starter awl, Metal detector connection, 1 vacuum ring for very bent windscreens

**SuperWire
(without battery or charger)**

Reliable removal of glass without the need to reposition even with tight clearances.



For accessories, see page 57

Battery voltage	V	18
Battery capacity	Ah	3,0
Part number	7 144 01 62 00 0	
EAN	4014586872568	

FEIN benefits:

- ▶ Simple removal of glass without the need to reposition the SuperWire.
- ▶ Can even be used if the windscreen is very curved and with small gaps.
- ▶ High-strength round wire even cuts through double adhesive beads.
- ▶ Robust gearbox and motor unit with slipping clutch.
- ▶ Remove 40-60 panes with one battery charge.
- ▶ Brushless, maintenance-free motor.
- ▶ Remote control with LED lamp and 1.5 m cable.
- ▶ Slipping clutch prevents wire breakage.

Price includes:

2 PVC covers (dashboard + headliner), 300 m round wire, 10 metal skewers, 1 starter awl, Metal detector connection, 1 vacuum ring for very bent windscreens

SuperWire

General accessories



Quick charger ALG 50

For all FEIN Li-ion batteries. Charge time from 35 min.

Part number
9 26 04 129 01 0



Quick charger ALG 30

For FEIN NiCd and Li-ion batteries. Charge time from 25 min.

Part number
9 26 04 096 01 0



Battery pack

Li-ion with charge indicator

Current/ Voltages	Capacity	Part number
V	Ah	
18	4	9 26 04 165 02 0



Cutting wire

High-strength cutting wire, 300 metres, suitable for round wire systems.

Part number
6 42 04 001 01 0



Vacuum ring set

To convert vacuum lifting pads, diameter 120 mm, for secure grip on curved windscreens.

Part number
3 02 40 308 01 0



Anti-Metal-Cut set

Issues a warning signal if the wire touches the bodywork.

Part number
6 42 04 002 01 0

Extension-set

Part number
6 42 04 003 01 0



Starter awl

For pulling the wire into the interior.

Part number
3 21 19 127 03 0

Protective cover

Small protective cover between vehicle panels and wire.

Part number
3 21 74 013 20 0

Protective cover

Large protective cover between vehicle panels and wire.

Part number
3 21 74 013 10 0



Metal skewers

To protect car body parts.

Part number
3 02 29 347 01 0



Anti-slip mat

To protect car body parts.

Part number
3 14 26 067 01 6



	Combo ABLK 1,6 - ASCS 4,8	Combo ABS 18 C - ASCD 18 W2C	Combo ABS 18 C - ASCD 18 W4C	Combo ASB 18 - ASCD 18 W4	Combo ASB 18 C - ASCD 18 W4C	Combo AFMT 12 Q + ABSU 12 C	Combo ASCD 12-100 W4C + ABSU 12 C	Combo AFMT 12 Q + ASCM 12 C
	Professional set for roofs and facades.	Cordless impact wrench/driver ASCD 18 W2C + 2-speed cordless drill/driver ABS 18 C.	Cordless impact wrench/driver ASCD 18 W4C + 2-speed cordless drill/driver ABS 18 C.	Cordless impact wrench/driver ASCD 18 W4 + 2-speed cordless hammer drill/driver ASB 18.	Cordless impact wrench/driver ASCD 18 W4C + 2-speed cordless hammer drill/driver ASB 18C.	Cordless MULTITALENT AFMT 12 Q + 2-speed cordless drill/driver ABSU 12 C.	Cordless impact wrench/driver ASCD 12-100 W4C + 2-speed cordless drill/driver ABSU 12 C.	Cordless MULTITALENT AFMT 12 Q + 4-speed cordless drill/driver ASCM 12 C.
Page	59	59	59	59	59	60	60	60
Technical features	Battery voltage (V)	14,4	18	18	18	12	12	12
	Battery capacity (Ah)	4	2	2	4	2	2,5	2,5

Combo ABLK 1.6 - ASCS 4.8

Professional set for roofs and facades.



Battery voltage	V	14,4
Battery capacity	Ah	4
Part number	7 190 01 61 00 0	
EAN	4014586869575	

Price includes:
1 ASCS 4.8, 1 ABLK 1.6 E, 2 battery packs (Li-ion), 1 ALG 50 rapid charger, 1 plastic carrying case

For accessories, see page 61

Combo ABS 18 C - ASCD 18 W2C

Cordless impact wrench/driver ASCD 18 W2C + 2-speed cordless drill/driver ABS 18 C.



Battery voltage	V	18
Battery capacity	Ah	2
Part number	7 190 04 61 00 0	
EAN	4014586876658	

Price includes:
1 cordless drill/driver ABS 18 C, 1 cordless impact wrench ASCD 18 W2C, 2 Li-ion batteries, charger, 1 plastic carrying case

For accessories, see page 61

Combo ABS 18 C - ASCD 18 W4C

Cordless impact wrench/driver ASCD 18 W4C + 2-speed cordless drill/driver ABS 18 C.



Battery voltage	V	18
Battery capacity	Ah	2
Part number	7 190 06 61 00 0	
EAN	4014586876757	

Price includes:
1 cordless drill/driver ABS 18 C, 1 cordless impact wrench/driver ASCD 18 W4C, 2 Li-ion batteries, charger, 1 plastic carrying case

For accessories, see page 61

Combo ASB 18 - ASCD 18 W4

Cordless impact wrench/driver ASCD 18 W4 + 2-speed cordless hammer drill/driver ASB 18.



Battery voltage	V	18
Battery capacity	Ah	4
Part number	7 190 07 61 00 0	
EAN	4014586877266	

Price includes:
1 cordless hammer drill/driver ASB 18, 1 cordless impact wrench/driver ASCD 18 W4, 2 battery packs (Li-ion), 1 rapid charger ALG 50, 1 plastic carrying case

For accessories, see page 61

Combo ASB 18 C - ASCD 18 W4C

Cordless impact wrench/driver ASCD 18 W4C + 2-speed cordless hammer drill/driver ASB 18C.



Battery voltage	V	18
Battery capacity	Ah	2
Part number	7 190 07 62 00 0	
EAN	4014586877280	

Price includes:
1 cordless hammer drill/driver ASB 18 C, 1 cordless impact wrench/driver ASCD 18 W4C, 2 battery packs (Li-ion), 1 rapid charger ALG 50, 1 plastic carrying case

For accessories, see page 61

Combo AFMT 12 Q + ABSU 12 C

Cordless MULTITALENT AFMT 12 Q + 2-speed cordless drill/driver ABSU 12 C.



For accessories, see page 61

Battery voltage	V	12
Battery capacity	Ah	2,5
Part number	7 190 09 61 00 0	
EAN	4014586882833	

Price includes:
 1 cordless MULTITALENT AFMT 12 Q, 1 cordless drill/driver ABSU 12 C, 2 battery packs (Li-ion), 1 rapid charger ALG 50, 1 plastic carrying case

Combo ASCD 12-100 W4C + ABSU 12 C

Cordless impact wrench/driver ASCD 12-100 W4C + 2-speed cordless drill/driver ABSU 12 C.



For accessories, see page 61

Battery voltage	V	12
Battery capacity	Ah	2,5
Part number	7 190 10 61 00 0	
EAN	4014586882871	

Price includes:
 1 cordless impact wrench/driver ASCD 12-100 W4C, 1 cordless drill/driver ABSU 12 C, 2 battery packs (Li-ion), 1 rapid charger ALG 50, 1 plastic carrying case

Combo AFMT 12 Q + ASCM 12 C

Cordless MULTITALENT AFMT 12 Q + 4-speed cordless drill/driver ASCM 12 C.



For accessories, see page 61

Battery voltage	V	12
Battery capacity	Ah	2,5
Part number	7 190 11 61 00 0	
EAN	4014586882918	

Price includes:
 1 cordless MULTITALENT AFMT 12 Q, 1 cordless drill/driver ASCM 12 C, 2 battery packs (Li-ion), 1 rapid charger ALG 50, 1 plastic carrying case



General accessories



Quick charger ALG 50
For all FEIN Li-ion batteries. Charge time from 35 min.

Part number
9 26 04 129 01 0



Quick charger ALG 30
For FEIN NiCd and Li-ion batteries. Charge time from 25 min.

Part number
9 26 04 096 01 0

18 V battery



Battery pack
Li-ion with charge indicator

Current/ Voltages V	Capacity Ah	Part number
18	5	9 26 04 173 02 0
18	2,5	9 26 04 171 02 0
18	4	9 26 04 165 02 0
18	2	9 26 04 161 02 0



Battery starter set
Very durable, light 18 V Li-ion batteries with innovative SafetyCell technology, 4 Ah capacity and charge indicator.

Current/ Voltages V	Capacity Ah	Part number
18	4	9 26 04 300 02 0



Battery starter set
Durable, light 18 V Li-ion batteries with innovative SafetyCell technology, 2 Ah capacity and charge indicator.

Current/ Voltages V	Capacity Ah	Part number
18	2	9 26 04 300 01 0

14.4 V battery



Battery pack
Li-ion with charge indicator

Current/ Voltages V	Capacity Ah	Part number
14,4	5	9 26 04 172 02 0
14,4	2,5	9 26 04 170 02 0
14,4	4	9 26 04 164 02 0
14,4	2	9 26 04 160 02 0

12 V battery



Battery pack
Li-ion with charge indicator

Current/ Voltages V	Capacity Ah	Part number
12	2,5	9 26 04 168 02 0



We are the experts when it comes to drills. After all, we invented them.

In 1895 FEIN revolutionised manual work by inventing the first electric hand drill. Even today, FEIN drills bear the stamp of the same spirit of innovation: The best of 120 years of experience and always in enduring premium quality, whether drills, angle drills or thread drills. There are FEIN drills for almost any situation, with different sizes and shapes, drilling diameters of up to 38 mm and speeds adapted precisely to the material. These tools are perfectly tailored to the work you do, the standards you need to meet, and your way of working. Ergonomically shaped, lightweight, easy to operate and extremely durable, they are ideal for professional

users. The optimised range of accessories and special system components underline the expertise and experience that goes into a FEIN drill.



Drills

Page
64

Perfectly suited to the job. Precise, powerful, easy to use.



Angle drills

Page
74

Makes easy work of drilling round corners. Compact, versatile and powerful, for difficult or narrow locations.



Magnetic drill jigs

Page
75

Horizontal, vertical or overhead working: easy to use and flexible, on site or in the workshop.



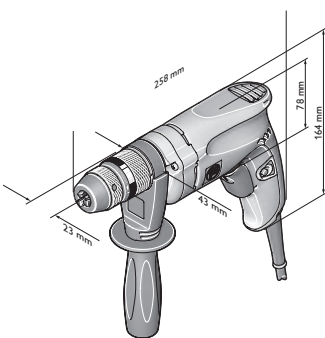
Tappers

Page
79

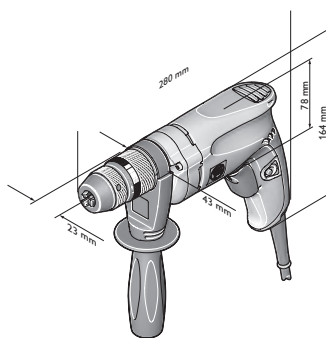
Efficient, precise and reliable. The alternative to working by hand.



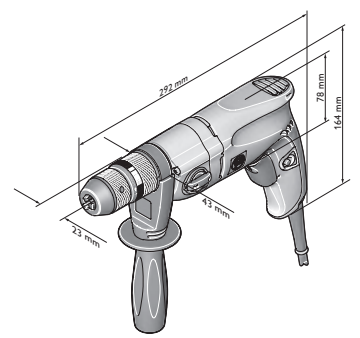
	BOP 6	BOP 10	BOP 10-2	BOP 13-2	BOS 16	
	Fast-running single-speed drill with good speed stability, up to 6 mm in steel in metal construction.	Compact single-speed drill with speed stability, up to 10 mm in steel for on-site installation work.	Universal two-speed drill, up to 10 mm with ideal speed range for steel and stainless steel.	Universal two-speed drill, up to 13 mm with ideal speed range for steel and stainless steel.	Powerful drill with speed setting for flexible use in metal construction.	
Page	66	67	68	69	70	
Technical features	Capacity in steel Ø (mm)	6	10	10/8	13/10	16
	capacity in Ø stainless steel (mm)	6	10	10/8	13/10	16
	Capacity in alu Ø (mm)	10	15	16/10	16/10	20
	Capacity in wood Ø (mm)	20	30	35/25	37/27	50
	Tapping		M 6	M 10	M 10	M 12
	Input (W)	500	500	500	550	1 200
	Speed, full load (rpm)	0-2 700	0-900	0-460/0-1 350	0-440/0-1 300	0-520
Weight according to EPTA (kg)	1,7	1,8	2,0	2,0	3,5	



BOP 6

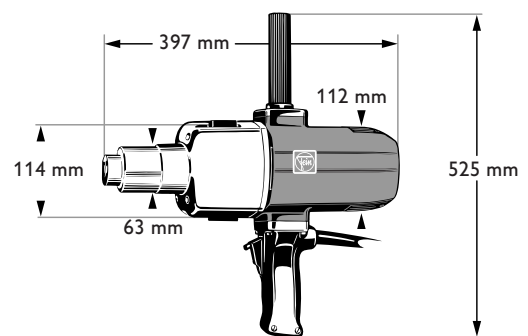
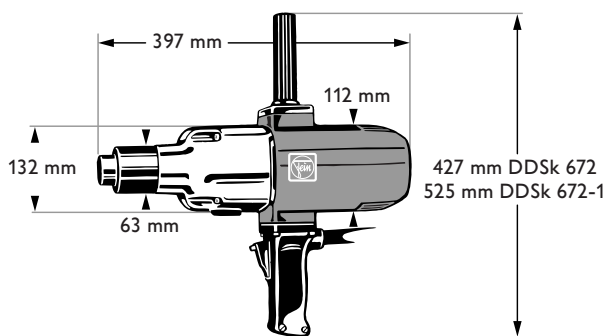


BOP 10

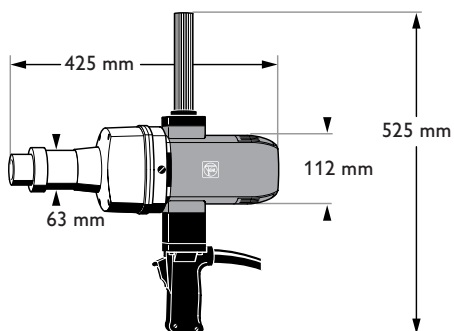


BOP 10-2 + BOP 13-2

	BOS 16-2	DSke 672	DDSk 672	DDSk 672-1	ASq 672-1
	Powerful two-speed drill with speed setting for flexible use in metal construction.	Large two-speed drill with high torque.	Extremely robust four-speed rotary drill for heavy-duty drilling and reaming.	Universal four-speed rotary drill with reversible rotation and high drilling / tapping capacity.	Slow-speed drill and drive unit with very high torque.
	70	71	71	71	72
	16/10	26/19	32	32	38
	16/10	26/19	32	32	38
	20/15	32/23	40	40	
	50	50/35	60	60	
	M 12			M 20	M 30/R 1"
	1 200	1 050	1 050	900	900
	0-520/0-1 600	110-185/220-370	120/190/330/520	100/150/260/420	60
	3,7	8,8	9,4	9,6	10,6



DSke 672



ASq 672-1

BOP 6



For accessories, see page 72

Fast-running single-speed drill with good speed stability, up to 6 mm in steel in metal construction.

Input	W	500
Output	W	270
Speed, full load	rpm	0-2 700
Speed, no load	rpm	0-4 000
Torque at max. output power	Nm	3,5
Stall torque	Nm	9
Capacity in steel Ø	mm	6
capacity in Ø stainless steel	mm	6
Capacity in alu Ø	mm	10
Capacity in wood Ø	mm	20
Collar Ø	mm	43
Drill chuck clamping width	mm	0,5-10
Thread of spindle		1/2"-20 UNF
Cable with plug	m	5
Width across corners	mm	23
Weight according to EPTA	kg	1,7
Part number	7 205 52 60 00 0	
EAN	4014586882413	

FEIN benefits:

- ▶ Powerful with optimum speed in lower diameter range for cost-effective working thanks to efficient tool use.
- ▶ Metal gear head and distortion-free barrel-type motor housing for superb service life.
- ▶ Automatic spindle lock and single-sheath quick clamping drill chuck for convenient tool changes.
- ▶ High-precision metal drill chuck.
- ▶ Self-tightening drill chuck clamping jaws.
- ▶ High concentricity.
- ▶ FEIN high-power motor.
- ▶ FEIN Sensitive Handle.
- ▶ Variable speed control.
- ▶ Reversible.
- ▶ 5 metre cable.

Price includes:

- 1 SUPRA SKE single sheath metal quick clamping drill chuck,
- 1 additional handle

BOP 6 Set



For accessories, see page 72

Fast-running single-speed drill with good speed stability, up to 6 mm in steel in metal construction.

Input	W	500
Output	W	270
Speed, full load	rpm	0-2 700
Speed, no load	rpm	0-4 000
Torque at max. output power	Nm	3,5
Stall torque	Nm	9
Capacity in steel Ø	mm	6
capacity in Ø stainless steel	mm	6
Capacity in alu Ø	mm	10
Capacity in wood Ø	mm	20
Collar Ø	mm	43
Drill chuck clamping width	mm	0,5-10
Thread of spindle		1/2"-20 UNF
Cable with plug	m	5
Size LxW	mm	255 x 164
Width across corners	mm	23
Weight according to EPTA	kg	1,7
Part number	7 205 52 61 00 0	
EAN	4014586881973	

FEIN benefits:

- ▶ Powerful with optimum speed in lower diameter range for cost-effective working thanks to efficient tool use.
- ▶ Metal gear head and distortion-free barrel-type motor housing for superb service life.
- ▶ Automatic spindle lock and single-sheath quick clamping drill chuck for convenient tool changes.
- ▶ High-precision metal drill chuck.
- ▶ Self-tightening drill chuck clamping jaws.
- ▶ High concentricity.
- ▶ FEIN high-power motor.
- ▶ FEIN Sensitive Handle.
- ▶ Variable speed control.
- ▶ Reversible.
- ▶ 5 metre cable.

Price includes:

- 1 SUPRA SKE single sheath metal quick clamping drill chuck,
- 1 plastic carrying case, 1 additional handle

**BOP 10**

For accessories, see page 72

Compact single-speed drill with speed stability, up to 10 mm in steel for on-site installation work.

Input	W	500
Output	W	270
Speed, full load	rpm	0-900
Speed, no load	rpm	0-1 500
Torque at max. output power	Nm	9
Stall torque	Nm	24
Capacity in steel Ø	mm	10
capacity in Ø stainless steel	mm	10
Capacity in alu Ø	mm	15
Capacity in wood Ø	mm	30
Tapping		M 6
Collar Ø	mm	43
Drill chuck clamping width	mm	1,5-13
Thread of spindle		1/2"-20 UNF
Cable with plug	m	5
Width across corners	mm	23
Weight according to EPTA	kg	1,8
Part number		7 205 53 60 00 0
EAN		4014586882468

FEIN benefits:

- ▶ FEIN high-power motor with good speed stability for constant drilling progress in almost any application.
- ▶ Particularly flat and slim design with excellent width across corners for installation work even in tight spaces and corners.
- ▶ Automatic spindle lock and single-sheath quick clamping drill chuck for convenient tool changes.
- ▶ Metal gear head.
- ▶ Distortion-free barrel-type motor housing.
- ▶ High-precision metal drill chuck.
- ▶ Self-tightening drill chuck clamping jaws.
- ▶ High concentricity.
- ▶ FEIN Sensitive Handle.
- ▶ Variable speed control.
- ▶ Reversible.
- ▶ 5 metre cable.

Price includes:

- 1 SUPRA SKE single sheath metal quick clamping drill chuck,
- 1 additional handle

BOP 10 Set

For accessories, see page 72

Compact single-speed drill with speed stability, up to 10 mm in steel for on-site installation work.

Input	W	500
Output	W	270
Speed, full load	rpm	0-900
Speed, no load	rpm	0-1 500
Torque at max. output power	Nm	9
Stall torque	Nm	24
Capacity in steel Ø	mm	10
capacity in Ø stainless steel	mm	10
Capacity in alu Ø	mm	15
Capacity in wood Ø	mm	30
Tapping		M 6
Collar Ø	mm	43
Drill chuck clamping width	mm	1,5-13
Thread of spindle		1/2"-20 UNF
Cable with plug	m	5
Size LxW	mm	277 x 164
Width across corners	mm	23
Weight according to EPTA	kg	1,8
Part number		7 205 53 61 00 0
EAN		4014586881980

FEIN benefits:

- ▶ FEIN high-power motor with good speed stability for constant drilling progress in almost any application.
- ▶ Particularly flat and slim design with excellent width across corners for installation work even in tight spaces and corners.
- ▶ Automatic spindle lock and single-sheath quick clamping drill chuck for convenient tool changes.
- ▶ Metal gear head.
- ▶ Distortion-free barrel-type motor housing.
- ▶ High-precision metal drill chuck.
- ▶ Self-tightening drill chuck clamping jaws.
- ▶ High concentricity.
- ▶ FEIN Sensitive Handle.
- ▶ Variable speed control.
- ▶ Reversible.
- ▶ 5 metre cable.

Price includes:

- 1 SUPRA SKE single sheath metal quick clamping drill chuck,
- 1 plastic carrying case

BOP 10-2



For accessories, see page 72

Universal two-speed drill, up to 10 mm with ideal speed range for steel and stainless steel.

Input	W	500
Output	W	270
Speed, full load	rpm	0-460/0-1 350
Speed, no load	rpm	0-700/0-2 250
Torque at max. output power	Nm	20/7
Stall torque	Nm	50/16
Capacity in steel Ø	mm	10/8
capacity in Ø stainless steel	mm	10/8
Capacity in alu Ø	mm	16/10
Capacity in wood Ø	mm	35/25
Tapping		M 10
Collar Ø	mm	43
Drill chuck clamping width	mm	1,5-13
Thread of spindle		1/2"-20 UNF
Cable with plug	m	5
Width across corners	mm	23
Weight according to EPTA	kg	2,0
Part number		7 205 54 60 00 0
EAN		4014586882512

FEIN benefits:

- ▶ Mechanical two-speed gearbox for optimum speed adjustment for a wide range of uses.
- ▶ FEIN high-power motor with good speed stability for constant drilling progress in almost any application.
- ▶ Automatic spindle lock and single-sheath quick clamping drill chuck for convenient tool changes.
- ▶ Metal gear head.
- ▶ Distortion-free barrel-type motor housing.
- ▶ High-precision metal drill chuck.
- ▶ Self-tightening drill chuck clamping jaws.
- ▶ High concentricity.
- ▶ FEIN Sensitive Handle.
- ▶ Variable speed control.
- ▶ Reversible.
- ▶ 5 metre cable.

Price includes:

- 1 SUPRA SKE single sheath metal quick clamping drill chuck,
- 1 additional handle

BOP 10-2 Set



For accessories, see page 72

Universal two-speed drill, up to 10 mm with ideal speed range for steel and stainless steel.

Input	W	500
Output	W	270
Speed, full load	rpm	0-460/ 0-1 350
Speed, no load	rpm	0-700/ 0-2 250
Torque at max. output power	Nm	20/7
Stall torque	Nm	50/16
Capacity in steel Ø	mm	10/8
capacity in Ø stainless steel	mm	10/8
Capacity in alu Ø	mm	16/10
Capacity in wood Ø	mm	35/20
Tapping		M 10
Collar Ø	mm	43
Drill chuck clamping width	mm	1,5-13
Thread of spindle		1/2"-20 UNF
Cable with plug	m	5
Size LxW	mm	289 x 164
Width across corners	mm	23
Weight according to EPTA	kg	2,0
Part number		7 205 54 61 00 0
EAN		4014586881997

FEIN benefits:

- ▶ Mechanical two-speed gearbox for optimum speed adjustment for a wide range of uses.
- ▶ FEIN high-power motor with good speed stability for constant drilling progress in almost any application.
- ▶ Automatic spindle lock and single-sheath quick clamping drill chuck for convenient tool changes.
- ▶ Metal gear head.
- ▶ Distortion-free barrel-type motor housing.
- ▶ High-precision metal drill chuck.
- ▶ Self-tightening drill chuck clamping jaws.
- ▶ High concentricity.
- ▶ FEIN Sensitive Handle.
- ▶ Variable speed control.
- ▶ Reversible.
- ▶ 5 metre cable.

Price includes:

- 1 SUPRA SKE single sheath metal quick clamping drill chuck,
- 1 plastic carrying case

**BOP 13-2**

For accessories, see page 72

Universal two-speed drill, up to 13 mm with ideal speed range for steel and stainless steel.

Input	W	550
Output	W	300
Speed, full load	rpm	0-440/0-1 300
Speed, no load	rpm	0-680/0-2 200
Torque at max. output power	Nm	20/7
Stall torque	Nm	50/16
Capacity in steel Ø	mm	13/10
capacity in Ø stainless steel	mm	13/10
Capacity in alu Ø	mm	16/10
Capacity in wood Ø	mm	37/27
Tapping		M 10
Collar Ø	mm	43
Drill chuck clamping width	mm	1,5-13
Thread of spindle		1/2"-20 UNF
Cable with plug	m	5
Width across corners	mm	23
Weight according to EPTA	kg	2,0
Part number		7 205 55 60 00 0
EAN		4014586882567

FEIN benefits:

- ▶ Mechanical two-speed gearbox for optimum speed adjustment for a wide range of uses.
- ▶ FEIN high-power motor with good speed stability for constant drilling progress in almost any application.
- ▶ Automatic spindle lock and single-sheath quick clamping drill chuck for convenient tool changes.
- ▶ Metal gear head.
- ▶ Distortion-free barrel-type motor housing.
- ▶ High-precision metal drill chuck.
- ▶ Self-tightening drill chuck clamping jaws.
- ▶ High concentricity.
- ▶ FEIN Sensitive Handle.
- ▶ Variable speed control.
- ▶ Reversible.
- ▶ 5 metre cable.

Price includes:

- 1 SUPRA SKE single sheath metal quick clamping drill chuck,
- 1 additional handle

BOP 13-2 Set

For accessories, see page 72

Universal two-speed drill, up to 13 mm with ideal speed range for steel and stainless steel.

Input	W	550
Output	W	300
Speed, full load	rpm	0-440/0-1 300
Speed, no load	rpm	0-680/0-2 200
Torque at max. output power	Nm	20/7
Stall torque	Nm	50/16
Capacity in steel Ø	mm	13/10
capacity in Ø stainless steel	mm	13/10
Capacity in alu Ø	mm	16/10
Capacity in wood Ø	mm	37/27
Tapping		M 10
Collar Ø	mm	43
Drill chuck clamping width	mm	1,5-13
Thread of spindle		1/2"-20 UNF
Cable with plug	m	5
Width across corners	mm	23
Weight according to EPTA	kg	2,0
Part number		7 205 55 61 00 0
EAN		4014586882017

FEIN benefits:

- ▶ Mechanical two-speed gearbox for optimum speed adjustment for a wide range of uses.
- ▶ FEIN high-power motor with good speed stability for constant drilling progress in almost any application.
- ▶ Automatic spindle lock and single-sheath quick clamping drill chuck for convenient tool changes.
- ▶ Metal gear head.
- ▶ Distortion-free barrel-type motor housing.
- ▶ High-precision metal drill chuck.
- ▶ Self-tightening drill chuck clamping jaws.
- ▶ High concentricity.
- ▶ FEIN Sensitive Handle.
- ▶ Variable speed control.
- ▶ Reversible.
- ▶ 5 metre cable.

Price includes:

- 1 SUPRA SKE single sheath metal quick clamping drill chuck,
- 1 additional handle, 1 plastic carrying case

BOS 16

Powerful drill with speed setting for flexible use in metal construction.



For accessories, see page 72

Input	W	1 200
Output	W	680
Speed, full load	rpm	0-520
Speed, no load	rpm	0-520
Torque at max. output power	Nm	50
Stall torque	Nm	50*
Capacity in steel Ø	mm	16
capacity in Ø stainless steel	mm	16
Capacity in alu Ø	mm	20
Capacity in wood Ø	mm	50
Drilling diameter in steel, hole saws	mm	80
Tapping		M 12
Countersinking max. Ø	mm	31
Collar Ø	mm	43
Drill chuck clamping width	mm	3-16
Thread of spindle		1/2"-20 UNF
Cable with plug	m	4
Width across corners	mm	27
Weight according to EPTA	kg	3,5
Part number		7 205 47 60 00 0
EAN		4014586874463

FEIN benefits:

- ▶ Powerful 1200 W motor with good speed stability for steady drilling progress.
- ▶ 6 electronic speed settings mean efficient and economic working at optimum speed.
- ▶ Flexible and universal use thanks to clockwise and reverse running for thread cuts up to M12.
- ▶ * Torque slipping clutch.
- ▶ Metal gear head and distortion-free barrel-type motor housing for superb service life.
- ▶ Speed-controlled tacho electronics.
- ▶ High-precision metal drill chuck.
- ▶ Self-tightening drill chuck clamping jaws.
- ▶ High concentricity.
- ▶ Spade handle for optimum power transfer.
- ▶ Acceleration electronics for precise drilling.
- ▶ Collar for use with drill jig.

Price includes:

- 1 SUPRA SKE single sheath metal quick clamping drill chuck,
- 1 additional handle

BOS 16-2

Powerful two-speed drill with speed setting for flexible use in metal construction.



For accessories, see page 72

Input	W	1 200
Output	W	680
Speed, full load	rpm	0-520/0-1 600
Speed, no load	rpm	0-520/0-1 600
Torque at max. output power	Nm	50/16
Stall torque	Nm	50/15*
Capacity in steel Ø	mm	16/10
capacity in Ø stainless steel	mm	16/10
Capacity in alu Ø	mm	20/15
Capacity in wood Ø	mm	50
Drilling diameter in steel, hole saws	mm	80
Tapping		M 12
Countersinking max. Ø	mm	31
Collar Ø	mm	43
Drill chuck clamping width	mm	3-16
Thread of spindle		1/2"-20 UNF
Cable with plug	m	4
Width across corners	mm	27
Weight according to EPTA	kg	3,7
Part number		7 205 49 60 00 0
EAN		4014586876443

FEIN benefits:

- ▶ Powerful 1200 W motor with good speed stability for steady drilling progress.
- ▶ Mechanical two-speed gearbox for optimum speed adjustment for a wide range of uses.
- ▶ Reversible rotation.
- ▶ * Torque slipping clutch.
- ▶ Metal gear head and distortion-free barrel-type motor housing for superb service life.
- ▶ Speed-controlled tacho electronics.
- ▶ High-precision metal drill chuck.
- ▶ Self-tightening drill chuck clamping jaws.
- ▶ High concentricity.
- ▶ Spade handle for optimum power transfer.
- ▶ Acceleration electronics for precise drilling.
- ▶ Collar for use with drill jig.

Price includes:

- 1 SUPRA SKE single sheath metal quick clamping drill chuck,
- 1 additional handle



DSke 672

Large two-speed drill with high torque.



For accessories, see page 72

Input	W	1 050
Output	W	650
Speed, full load	rpm	110-185/220-370
Speed, no load	rpm	120-270/240-540
Cable with plug	m	2,5
Weight according to EPTA	kg	8,8
Capacity in steel Ø	mm	26/19
capacity in Ø stainless steel	mm	26/19
Capacity in alu Ø	mm	32/23
Capacity in wood Ø	mm	50/35
Cone at drill shaft		MK 3
Collar Ø	mm	63
Width across corners	mm	41
Part number		7 202 09 00 22 7
EAN		4014586802855

FEIN benefits:

- ▶ Mechanical two-speed indexing gear with ideal transmission for high torques.
- ▶ Electronic speed control for constant cutting speed, enabling efficient and economic working.
- ▶ MT 3 holder for flexible tool use with high concentricity for optimum results.
- ▶ Speed preselection.
- ▶ Metal gear head.
- ▶ Cross handle.
- ▶ Superb service life.
- ▶ For optimum use on FEIN magnetic drill jigs.
- ▶ Wide range of accessories.

Price includes:

1 additional handle, 1 drift key

DDSk 672

Extremely robust four-speed rotary drill for heavy-duty drilling and reaming.



For accessories, see page 72

Input	W	1 050
Output	W	650
Speed, full load	rpm	120/190/330/520
Speed, no load	rpm	175/280/480/760
Cable with plug	m	2,5
Weight according to EPTA	kg	9,4
Capacity in steel Ø	mm	32
capacity in Ø stainless steel	mm	32
Capacity in alu Ø	mm	40
Capacity in wood Ø	mm	60
Cone at drill shaft		MK 3
Collar Ø	mm	63
Width across corners	mm	41
Part number		7 202 06 00 22 9
EAN		4014586802749

FEIN benefits:

- ▶ Mechanical four-speed indexing gear with ideal speed grading for high torques.
- ▶ MT 3 holder for flexible tool use with high concentricity for optimum results.
- ▶ Robust design with metal gear head for maximum operating demands and superb service life.
- ▶ Cross handle.
- ▶ For optimum use on FEIN magnetic drill jigs.
- ▶ Wide range of accessories.

Price includes:

1 additional handle, 1 drift key

DDSk 672-1

Universal four-speed rotary drill with reversible rotation and high drilling / tapping capacity.



For accessories, see page 72

Input	W	900
Output	W	500
Speed, full load	rpm	100/150/260/420
Speed, no load	rpm	170/250/450/700
Cable with plug	m	2,5
Weight according to EPTA	kg	9,6
Capacity in steel Ø	mm	32
capacity in Ø stainless steel	mm	32
Capacity in alu Ø	mm	40
Capacity in wood Ø	mm	60
Tapping		M 20
Cone at drill shaft		MK 3
Collar Ø	mm	63
Width across corners	mm	41
Part number		7 205 01 00 22 8
EAN		4014586804453

FEIN benefits:

- ▶ Mechanical four-speed indexing gear with ideal speed grading for high torques.
- ▶ MT 3 holder for flexible tool use with high concentricity for optimum results.
- ▶ Reversible rotation for thread cuts of up to M 20 in stationary operation with FEIN magnetic drill jigs.
- ▶ Able to handle extreme loads.
- ▶ Metal gear head.
- ▶ Cross handle.
- ▶ Superb service life.
- ▶ For optimum use on FEIN magnetic drill jigs.
- ▶ Wide range of accessories.

Price includes:

1 additional handle, 1 drift key

ASq 672-1

Slow-speed drill and drive unit with very high torque.



For accessories, see page 72

Input	W	900
Output	W	500
Speed, full load	rpm	60
Speed, no load	rpm	100
Cable with plug	m	2,5
Weight according to EPTA	kg	10,6
Capacity in steel Ø	mm	38
capacity in Ø stainless steel	mm	38
Reaming	mm	40
Tube expanding Ø	mm	65
Tapping		M 30/R 1"
Cone at drill shaft		M.T. 4
Collar Ø	mm	63
Width across corners	mm	47
Part number		7 205 03 00 22 0
EAN		4014586804569

FEIN benefits:

- ▶ Extremely high torque for driving rollers, spindles, regulators etc.
- ▶ MT 4 holder for flexible tool use with high concentricity for optimum results.
- ▶ Reversible rotation for thread cuts of up to M 30 in stationary operation with FEIN magnetic drill jigs.
- ▶ Metal gear head.
- ▶ Cross handle.
- ▶ Superb service life.
- ▶ For optimum use on FEIN magnetic drill jigs.
- ▶ Wide range of accessories.

Price includes:

1 additional handle, 1 drift key, 1 suspension eyelet

Drills

Accessories for BOP 6, BOP 10, BOP 10-2, BOP 13-2



Tool case

With case insert and plastic box
Plastic, inner dimensions: 470 x 275 x 116 mm

Part number
3 39 01 118 48 0



Quick-action chucks

Single sheath metal SUPRA SKE quick clamping drill chuck with locking force safety device, drill chuck holder 1/2"-20 UNF

Chuck opening mm	Part number
0,5 - 10	6 32 05 036 01 0



Quick-action chucks

Single sheath metal SUPRA SKE quick clamping drill chuck with locking force safety device, drill chuck holder 1/2"-20 UNF

Chuck opening mm	Part number
1,5-13	6 32 05 035 01 0

Jaw spanner SW17

Part number
6 29 03 002 00 9

Suspension Device

for hooking onto a balancer
vertical

Part number
3 02 32 046 00 8



Suspension Device

for hooking onto a balancer
horizontal and vertical

Part number
3 21 25 050 00 7

Depth stop

Part number
3 21 27 005 00 6

Accessories for BOS 16, BOS 16-2



Tool case

Metal

Length mm	Width mm	Height mm	Part number
690	240	160	3 39 01 022 01 4



Paddle

Length 600 mm, Ø 110 mm

Part number
6 39 02 002 01 3



Quick-action chucks

Single sheath metal SUPRA SKE quick clamping drill chuck with locking force safety device, drill chuck holder 1/2"-20 UNF

Chuck opening mm	Weight kg	Part number
3-16	0,56	6 32 05 038 01 0

Quick-action chucks

Drill chuck holder 1/2"-20 UNF
form R tip

Chuck opening mm	Weight kg	Part number
1 - 13	0,54	6 32 05 033 01 0



Key-type drill chucks

Drill chuck holder 1/2"-20 UNF

Chuck opening mm	Weight kg	Part number
1 - 10	0,30	6 32 03 034 01 0
1,5 - 13	0,38	6 32 03 041 01 4

Accessories for DSke 672, DDSk 671-1, DDSk 672



Tool case
metal 400 x 400 x 130 mm

Part number
3 39 01 032 01 3



Quick-action chucks
Drill chuck holder B 16
form R tip

Chuck opening mm	Weight kg	Part number
0 - 10	0,61	6 32 04 016 00 7
1 - 13	0,88	6 32 04 017 00 1
3 - 16	1,14	6 32 04 025 00 3



Quick-action chucks
Drill chuck holder B 16
R shaped tip with locking force safety device

Chuck opening mm	Weight kg	Part number
1 - 13	0,56	6 32 04 032 00 6



Key-type drill chucks
Drill chuck holder B 16

Chuck opening mm	Weight kg	Part number
1,5 - 13	0,41	6 32 02 030 01 5
1 - 16	0,64	6 32 02 037 01 0



Morse taper arbors
for drilling machines with morse taper arbor

Mount	Part number
MT 3/B 16	6 33 01 012 00 5
MT 3/B 22	6 33 01 014 00 7



Enlargement tapers
for M.T. sockets

Mount	Part number
MT 3/MT 4	6 33 04 004 00 0



Reducing sleeves
for M.T. sockets

Mount	Part number
MT 3/MT 2	6 33 02 003 00 4



Drift keys

Mount	Length mm	Part number
MT 1/MT 2	140	6 33 05 003 00 3
MT 3/MT 4	190	6 33 05 004 00 1

Accessories for ASq 672-1



Key-type drill chucks
Drill chuck holder B 22

Chuck opening mm	Weight kg	Outer Ø mm	Drill chuck holder	Part number
5-20	1,55	75	B 22	6 32 02 022 01 8



Morse taper arbors
for drilling machines with morse taper arbor

Mount	Part number
MT 4/B 22	6 33 01 016 00 4



Reducing sleeves
for M.T. sockets

Mount	Part number
MT 4/MT 3	6 33 02 004 00 2

Accessories for ASq 672-1, DSke 672, DDSk 672-1, DDSk 672

Safety slipping clutch

with MT 3 -socket and output Ø 30 mm, adjusting range 15-80 Nm for speed range 0-500 rpm., weight 2,2 kg, incl. rubber ring, cylindrical pin, clamping sleeve and hook spanner

Part number
9 01 05 002 01 8



Tools with square drive

Shank Ø 30 mm for the use of hexagon socket tools with square drive 1/2" and 3/4" (square socket)

Outer square	Part number
1/2"	6 19 15 001 00 7
3/4"	6 19 15 002 00 0

Straight pin

Ø mm	Part number
3 x 20	4 02 01 096 00 0
3 x 24	4 02 01 097 00 4

Rubber Ring

Ø mm	Part number
19 x 4	4 06 12 153 00 7

WBP 10

Extremely small angle drill for working in difficult-to-reach spots.



For accessories, see page 74

Input	W	500
Output	W	270
Speed, full load	rpm	0-1 030
Speed, no load	rpm	0-1 830
Torque at max. output power	Nm	8
Stall torque	Nm	21
Capacity in steel Ø	mm	10
Capacity in Ø stainless steel	mm	10
Capacity in alu Ø	mm	15
Capacity in wood Ø	mm	25
Tapping		M 6
Drill chuck clamping width	mm	0,8-10
Cone at drill shaft		B 10
Cable with plug	m	5
Width across corners	mm	17
Gearbox head height	mm	96
Weight according to EPTA	kg	1,5
Part number		7 205 51 60 00 0
EAN		4014586878843

FEIN benefits:

- ▶ FEIN high-power motor with good speed stability for constant drilling progress in almost any application.
- ▶ Particularly flat and slim design with 17 mm width across corners and 96 mm gearbox head height for work in tight spaces and corners.
- ▶ Flexible and universal use thanks to clockwise and reverse running for thread cuts up to M6.
- ▶ Metal gear head.
- ▶ Tapered drill shaft.
- ▶ High-precision metal drill chuck.
- ▶ High concentricity.
- ▶ Distortion-free barrel-type motor housing.
- ▶ FEIN Sensitive Handle.
- ▶ 5 metre cable.

Price includes:

1 3-jaw chuck up to Ø 10 mm, 1 drill chuck key

Angle drills

Accessories for WBP 10



Tool case

Plastic, inner dimensions: 470 x 275 x 116 mm

Part number

3 39 01 118 01 0



Plastic box

Box insert with lockable lid for small parts and accessories, suitable for tool box 3 39 01 118 01 0, max 5 items/box.

Part number

3 39 01 119 00 0



Key-type drill chucks

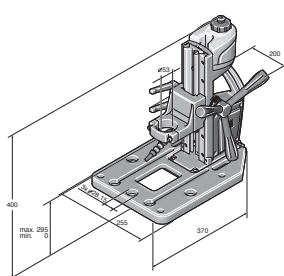
Drill chuck holder B 10

Chuck opening mm	Weight kg	Part number
0,5 - 8	0,14	6 32 02 043 01 0
0,8 - 10	0,22	6 32 02 044 01 8

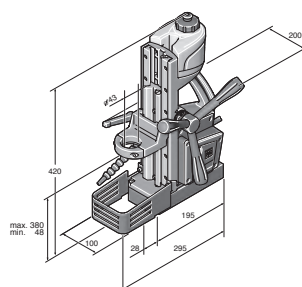


Drilling

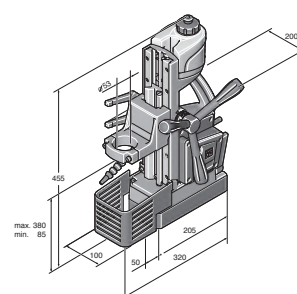
	IBS 16	MBS 16 X	MBS 25 F	MBS 32 F	
	Industrial drill jig for drills with drilling capacity of up to 16 mm.	Flexible magnetic drill jig for rotary drills with up to 16 mm drill capacity.	Flexible magnetic drill jig for rotary drills with up to 25 mm drill capacity.	Flexible magnetic drill jig with fine adjustment for rotary drills with up to 32 mm drill capacity.	
Page	76	76	77	77	
Technical features	Twist drill max. Ø (mm)	16	16	25	32
	Reaming max. Ø (mm)	16	16	25	40
	Swivel range for drill jigs			± 7°	350°
	Adjustment range (mm)			± 6	±10
	Tapping	M 12	M 12	M 20	M 24
	For collar Ø (mm)	53	43	53	63
	Stroke (mm)	145	145	145	178
	Total stroke range (mm)	295	325	290	365
	Magnetic foot dimensions (mm)		195 x 90	205 x 95	220 x 100
	Magnetic holding power (N)		12 500	14 000	18 000
Weight according to EPTA (kg)	8	9,5	12,5	21,8	



IBS 16



MBS 16 X



MBS 25 F

IBS 16

Industrial drill jig for drills with drilling capacity of up to 16 mm.



Weight according to EPTA	kg	8
Twist drill max. Ø	mm	16
Tapping		M 12
Countersinking max. Ø	mm	50
Reaming max. Ø	mm	16
Stroke	mm	145
Total stroke range	mm	295
For collar Ø	mm	53
Part number		9 03 20 223 00 0
EAN		4014586878515

FEIN benefits:

- ▶ Lightweight, compact industrial drill jig with aluminium base plate for universal use, including drilling, tapping, reaming and countersinking.
- ▶ Double drill motor guide for use with very large drilling tools.
- ▶ Base plate with hole pattern for Demmeler and Siegmund System 28 welding tables.
- ▶ Integrated coolant tank with flexible jointed hose.
- ▶ Feed handwheel can be moved from one side to the other.
- ▶ Carriage height adjustable without tools.

Price includes:

1 coolant tank, 1 flex-jointed hose, 1 reducing ring, diameter 43 mm

For accessories, see page 78

MBS 16 X

Flexible magnetic drill jig for rotary drills with up to 16 mm drill capacity.



Input	W	100
Socket max.	A	16
Cable with plug	m	4
Weight according to EPTA	kg	9,5
Twist drill max. Ø	mm	16
Tapping		M 12
Countersinking max. Ø	mm	50
Reaming max. Ø	mm	16
Magnetic holding power	N	12 500
Stroke	mm	145
Total stroke range	mm	325
Magnetic foot dimensions	mm	195 x 90
For collar Ø	mm	43
Part number		9 03 18 223 00 0
EAN		4014586878034

FEIN benefits:

- ▶ Lightweight, compact magnetic drill jig for universal use, including drilling, tapping, reaming and countersinking.
- ▶ Double drill motor guide for use with very large drilling tools.
- ▶ High magnetic holding power and safety circuit guarantee safe working in any position.
- ▶ Integrated coolant tank with flexible jointed hose.
- ▶ Feed handwheel can be moved from one side to the other.
- ▶ Carriage height adjustable without tools.

Price includes:

1 coolant tank, 1 lashing strap, 1 contact guard

For accessories, see page 78

**MBS 25 F**

Flexible magnetic drill jig for rotary drills with up to 25 mm drill capacity.



For accessories, see page 78

Input	W	100
Socket max.	A	16
Cable with plug	m	4
Weight according to EPTA	kg	12,5
Twist drill max. Ø	mm	25
Tapping		M 20
Countersinking max. Ø	mm	50
Reaming max. Ø	mm	25
Magnetic holding power	N	14 000
Stroke	mm	145
Total stroke range	mm	290
Swivel range for drill jigs		± 7°
Adjustment range	mm	± 6
Magnetic foot dimensions	mm	205 x 95
For collar Ø	mm	53
Part number		9 03 19 223 00 0
EAN		4014586878041

FEIN benefits:

- ▶ Universal suitability for drilling, tapping, reaming and countersinking.
- ▶ Fine adjustment of the drill spindle for convenient tool alignment.
- ▶ Double drill motor guide for use with very large drilling tools.
- ▶ High magnetic holding force.
- ▶ Integrated coolant tank with flexible jointed hose.
- ▶ Feed handwheel can be moved from one side to the other.
- ▶ Carriage height adjustable without tools.

Price includes:

1 coolant tank, 1 lashing strap, 1 contact guard, 1 reducing ring, diameter 43 mm

MBS 32 F

Flexible magnetic drill jig with fine adjustment for rotary drills with up to 32 mm drill capacity.



For accessories, see page 78

Input	W	130
Socket max.	A	16
Cable with plug	m	4
Weight according to EPTA	kg	21,8
Twist drill max. Ø	mm	32
Tapping		M 24
Reaming max. Ø	mm	40
Magnetic holding power	N	18 000
Stroke	mm	178
Total stroke range	mm	365
Swivel range for drill jigs		350°
Adjustment range	mm	±10
Magnetic foot dimensions	mm	220 x 100
For collar Ø	mm	63
Part number		9 03 16 223 00 8
EAN		4014586847924

FEIN benefits:

- ▶ Universal suitability for drilling, tapping, reaming and countersinking.
- ▶ Fine adjustment of drill spindle for easy alignment of machine without constantly removing and refitting the magnet.
- ▶ High magnetic holding power and safety circuit guarantee safe working in any position.
- ▶ Infinitely variable stroke range setting.
- ▶ Compact design.
- ▶ Optimum power-to-weight ratio.
- ▶ Robust and accurate dual dove-tail guide
- ▶ Universal use for drive machines with clamping collar.

Price includes:

1 clamping strap, 1 swarf hook, 1 swarf guard, 2 keys

Accessories for IBS 16



Reducing rings
for attaching machines with collar Ø 43 mm
FEIN BOS, KBH

Ø	Part number
mm	
53 / 43	3 26 23 014 01 0

Prism vice

Part number
9 07 01 002 01 0

Vice installation kit

Part number
6 41 31 019 01 0

Adapter plate for magnetic core drills

Part number
3 24 22 326 01 0

Accessories for MBS 16 X



Reducing rings
for attaching machines with collar Ø 33 mm.

Ø	Part number
mm	
43 / 33	3 26 23 012 01 9



Reducing rings
for attaching machines with collar Ø 38 mm

Ø	Part number
mm	
43 / 38	3 26 23 013 00 4

Accessories for MBS 25 F



Reducing rings
for attaching machines with collar Ø 38 mm

Ø	Part number
mm	
53 / 38	3 26 23 010 00 8



Reducing rings
for attaching machines with collar Ø 43 mm

Ø	Part number
mm	
53 / 43	3 26 23 009 00 6



Reducing rings
for attaching machines with collar Ø 43 mm
FEIN BOS, KBH

Ø	Part number
mm	
53 / 43	3 26 23 014 01 0

Accessories for MBS 16 X, MBS 25 F, MBS 32 F



Suction plate
for anti-magnetic materials, 250 x 330 x 110 mm

Part number
9 26 02 054 01 6



Vacuum plate
for anti-magnetic materials and structured bases
(corrugated sheet, stud plate etc.)
Vacuum plate 396 x 200 x 95 mm

Part number
9 26 02 057 01 7



Pipe drilling device
incl. clamping strap, for positioning bores on pipes with pipe
Ø of 60 to 300 mm, 220 x 130 mm.

Part number
9 26 02 055 01 0



Vacuum pump
Suction rate 0,015 m³/min, -0,8 bar, 92 W, weight 2,5 kg
including suction hose

Part number
9 26 01 022 01 3

**GWP 10**

Fast, accurate thread drill with reversing gear for shorter working times.



For accessories, see page 79

Input	W	450
Output	W	250
Idling speed in reverse running	rpm	0-1 000
Load speed when cutting	rpm	0-450
Load speed in reverse running	rpm	0-680
Torque at max. output power	Nm	21
Stall torque	Nm	53
Thread in steel up to		M 10
Thread in stainless steel up to		M 10
Collar Ø	mm	43
Cone at drill shaft		B 12
Cable with plug	m	5
Width across corners	mm	23
Weight according to EPTA	kg	1,6
Part number		7 209 38 60 00 0
EAN		4014586881256

FEIN benefits:

- ▶ Unique speed thanks to reversing gear for automatic reversal of rotation direction when retracting drill spindle from threaded hole. Rapid return action at 680 rpm for shorter cycle times.
- ▶ Outstanding precision due to clearance-free connection of drill shaft and threaded chuck with B12 taper mounting for high concentricity. Positive fit of thread drill in chuck for the best results.
- ▶ FEIN sensitive handle for applying feed force in the direct drilling axis while ensuring an ideal position in the guiding hand.
- ▶ FEIN high-power motor with stable speed.
- ▶ Small width across corners of 23 mm.
- ▶ Metal gear head.
- ▶ Distortion-free barrel-type motor housing.

Price includes:

1 additional handle, Threaded chuck not included

Tappers**General accessories****Collets**

for collets and floating collet chucks

Thread Ø	Ø mm	Square mm	Part number
M 2 - M 2,6	2,8	2,1	6 32 06 077 00 1
M 3	3,5	2,7	6 32 06 064 00 1
M 4 / M 6	4,5	3,4	6 32 06 065 00 5
M 5 / M 8	6	4,9	6 32 06 066 00 8
M 10	7	5,5	6 32 06 070 00 6
M 8	8	6,2	6 32 06 078 00 9
M 10	10	8	6 32 06 079 00 3

**Floating collet chuck**

with collets 3,5/4,5/6 mm

Part number
6 32 06 076 02 2**Jaw chuck**

for tapping drill direct adaptor clamping range 2.8 - 9.0 mm, with key wrench

Part number
6 32 06 019 00 9**Floating jaw chuck**

for tapping drill direct adaptor clamping range 2.8 - 9.0 mm, with key wrench

Part number
6 32 06 041 00 8**Accessories for GWP 10****Tool case**

Plastic, inner dimensions: 470 x 275 x 116 mm

Part number
3 39 01 118 01 0**Plastic box**

Box insert with lockable lid for small parts and accessories, suitable for tool box 3 39 01 118 01 0, max 5 items/box.

Part number
3 39 01 119 00 0**Collet chuck**

with collets 3,5/4,5/6 mm

Part number
6 32 06 063 01 2**Drifts**

for drill chuck up to B12, length 125 mm, pack of 2

Mount	Length mm	Part number
B 12	125	6 33 05 009 01 3

**Depth stop**Part number
3 21 27 005 02 1**Suspension Device**

for hooking onto a balancer horizontal and vertical

Part number
3 21 25 050 00 7



Reliable connections: the FEIN screwdriver range.

Extremely reliable and custom-made for the intended application, FEIN power screwdrivers produce top-class results and optimum screw connection quality - even in the toughest conditions.

Whether in industrial volume production, metal construction, or interior work and renovation. Other benefits of FEIN power screwdrivers include exemplary ergonomics and very low weight, so you can achieve professional, efficient long-lasting results.



Metal screw gun **Page 82**

For safe, consistent working with self-drilling and thread-moulding screws in roof and facade construction as well as heating, air conditioning and ventilation.

Dry wall screw guns **Page 83**

The specialist tools for drywall and interior applications. Lightweight, ergonomic and compact for optimum results.

SCS 4.8-25

One of the lightest self-drilling screwdriver in its class for roof and facade construction.



For accessories, see page 82
For cordless variant of tool, see page 21

Input	W	450
Output	W	250
Speed, full load	rpm	0-2 000
Speed, no load	rpm	0-2 500
Max. torque (hard/soft)	Nm	16/-
Cable with plug	m	5,0
Weight according to EPTA	kg	1,3
Screw Ø	mm	4,8
Rapid change chuck		1/4"
Part number	7 213 04 00 23 9	
EAN	4014586853734	

FEIN benefits:

- ▶ Safe working with self-drilling and thread-moulding screws up to 4.8 mm with or without sealing disc. It is also suitable for wing screws.
- ▶ Lightweight drill/driver for fatigue-free working in roof and facade construction as well as heating, air conditioning and ventilation.
- ▶ Adjustable, power-sensitive FEIN universal clutch for optimum configuration of torque when working without depth stop.
- ▶ FEIN high-power motor.
- ▶ Practical hand strap.

Price includes:

1 depth stop, 1 magnetic holder for bits 1/4", 1 bit 1/4" for cross-slotted screws size 2 / Phillips (form H) extra hard, 1 hand strap, 1 belt clip

Metal screw gun

General accessories



Tool case

Plastic, inner dimensions: 470 x 275 x 116 mm

Part number
3 39 01 118 01 0



Plastic box

Box insert with lockable lid for small parts and accessories, suitable for tool box 3 39 01 118 01 0, max 5 items/box.

Part number
3 39 01 119 00 0



Tool holder 1/4" external hexagon

1/4" Drive-Hex Socket
with quick-change chuck

Ø mm	L mm	Part number
15	51	6 05 10 011 00 9



Tool holder 1/4" external hexagon

1/4" Drive-Hex Socket
with spring washer, magnetic

Ø mm	L mm	Part number
10,6	45	6 05 10 215 00 3



		SCT 5-40 M	SCT 5-40 X
		Autofeed screwdriver for quick repeated screw fittings with quiet clutch.	The specialist tool for drywall and interior work with quiet clutch.
Page		84	84
Technical features	Input (W)	450	450
	Speed, no load (rpm)	0-4 000	0-4 000
	Max. torque (hard/soft) (Nm)	12/-	12/-
	Weight according to EPTA (kg)	1,6	1,3
	Screw Ø (mm)	5	5
	Rapid change chuck	1/4"	1/4"

SCT 5-40 M

Autofeed screwdriver for quick repeated screw fittings with quiet clutch.



For accessories, see page 85
For cordless variant of tool, see page 17

Input	W	450
Output	W	250
Speed, full load	rpm	0-2 700
Speed, no load	rpm	0-4 000
Cable with plug	m	5
Weight according to EPTA	kg	1,6
Screw Ø	mm	5
Max. torque (hard/soft)	Nm	12/-
Rapid change chuck		1/4"
Screw length	mm	25-55
Part number		7 213 06 50 01 8
EAN		4014586854205

FEIN benefits:

- ▶ Drywall construction screwdriver SCT 5-40 X incl. magazine M55 X.
- ▶ QuickIN for tool-free removal collated strips, setting of screw length and driving depth as well as quick cleaning.
- ▶ Speed-optimised; for rapid fixing of plasterboard to wood or metal frames.
- ▶ One of the lightest screwdrivers in its class.
- ▶ Silent FEIN CLIC-STOP clutch.
- ▶ Point placement accuracy with infinitely variable electronic speed setting.
- ▶ Patented screw transport system.
- ▶ Additional depth stop for non-collated screws.
- ▶ Ideally suited for single-hand use.
- ▶ Magazine can be rotated through 360 degrees.
- ▶ Robust shell casing.
- ▶ Market-leading ergonomics with FEIN Sensitive handle.
- ▶ FEIN high-power motor.
- ▶ Vibration-free stop.
- ▶ Practical hand strap.

Price includes:

1 Collated cartridge for collated screws, 1 bit 1/4" for cross-slotted screws size 2 / Phillips (form H) with dust-protection ring, 1 depth stop, 1 magnetic holder for bits 1/4", 1 bit 1/4" for cross-slotted screws size 2 / Phillips (form H) with dust-protection ring, 1 hand strap, 1 belt clip, 1 plastic carrying case

SCT 5-40 X

The specialist tool for drywall and interior work with quiet clutch.



For accessories, see page 85
For cordless variant of tool, see page 17

Input	W	450
Output	W	250
Speed, full load	rpm	0-2 700
Speed, no load	rpm	0-4 000
Max. torque (hard/soft)	Nm	12/-
Cable with plug	m	5
Weight according to EPTA	kg	1,3
Screw Ø	mm	5
Rapid change chuck		1/4"
Part number		7 213 13 00 23 0
EAN		4014586860923

FEIN benefits:

- ▶ Speed-optimised; for rapid fixing of plasterboard to wood or metal frames.
- ▶ Silent FEIN CLIC-STOP clutch for working in offices, hospitals etc. without causing a disturbance.
- ▶ The depth stop supplied means that drywall is not damaged and you need simply grout after screwdriving.
- ▶ One of the lightest screwdrivers in its class.
- ▶ Market-leading ergonomics with FEIN Sensitive handle.
- ▶ Point placement accuracy with infinitely variable electronic speed setting.
- ▶ FEIN high-power motor.
- ▶ Vibration-free stop.
- ▶ Rapid changeover to collated strips.
- ▶ Easily adjustable and replaceable depth stop.
- ▶ Dustproof stop sleeve.
- ▶ Extremely lightweight.
- ▶ Practical hand strap.

Price includes:

1 hand strap, 1 belt clip, 1 depth stop, dust-proof protection, 1 magnetic holder for bits 1/4", 1 bit 1/4" for cross-slotted screws size 2 / Phillips (form H) with dust-protection ring



General accessories



Tool case
Plastic, inner dimensions: 470 x 275 x 116 mm

Part number
3 39 01 118 01 0



Plastic box
Box insert with lockable lid for small parts and accessories, suitable for tool box 3 39 01 118 01 0, max 5 items/box.

Part number
3 39 01 119 00 0



Tool holder 1/4" external hexagon
1/4" Drive-Hex Socket with quick-change chuck

Ø mm	L mm	Part number
15	51	6 05 10 011 00 9



Bits 1/4" Hex socket
Form H/Phillips (pack of 5) extra hard, with dust protection ring

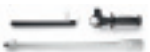
Size	L mm	Part number
2	25	6 27 12 109 03 4

Accessories for autofeed screwdrivers



M55 X magazine
for collated screws of 25 to 55 mm length and max. Ø 5 mm, tool-free changeover, weight 0.4 kg.

Part number
9 01 04 009 01 0



M55 X magazine extension with belt guide
Length 520 mm

Part number
9 01 04 010 01 0



Bits 1/4" Hex socket
for screwdriving into ceilings and floors
Form H/Phillips, size 2

Part number
6 05 03 306 00 8



High-speed construction screws
Fine-pitch screw for fastening drywall to metal substructures, countersunk head, Ø 8 mm

Ø mm	L mm	No. in pack pcs	Part number
3,9	35	1 000	6 39 01 030 01 4
3,9	35	10 000	6 39 01 030 02 0



High-speed construction screws
Coarse-pitch screw for fastening drywall to wood substructures, countersunk head, Ø 8 mm

Ø mm	L mm	No. in pack pcs	Part number
3,9	30	1 000	6 39 01 031 01 3
3,9	30	10 000	6 39 01 031 02 0
3,9	35	1 000	6 39 01 032 01 6
3,9	35	10 000	6 39 01 032 02 0
3,9	45	1 000	6 39 01 033 01 0
3,9	45	10 000	6 39 01 033 02 0



High-speed construction screws
Double threaded with milled rib for fastening Fermacell panels to metal or wood substructures.

Ø mm	L mm	No. in pack pcs	Part number
3,9	30	1 000	6 39 01 034 01 8
3,9	30	10 000	6 39 01 034 02 0



High-speed construction screws
Double threaded with milled rib for wood substructures.

Ø mm	L mm	No. in pack pcs	Part number
4,2	35	1 000	6 39 01 035 01 2
4,2	35	10 000	6 39 01 035 02 0



More than 100 years of working in continuous use: the FEIN grinding specialists.

Experience is everything, especially when like FEIN you are building resilient, user-focused, ergonomic and innovative grinding power tools for industry and manual trades. They come in various performance classes ranging from 350 to 3700 watts and for tough continuous use for example in foundries, steel or shipbuilding. From handy compact angle grinders to extremely powerful and large angle grinders and offering a wide range of straight grinders with a wide high frequency range, FEIN works hard to satisfy every need in the sanding department too.



Compact angle grinders Page 88

Three equipment lines, the same unbeatable quality - the right angle grinder for every job.

Angle Grinders Page 98

Superior performance, comfortable and optimum safety FEIN angle grinders for heavy-duty grinding and cutting work.

Die Grinders Page 102

The specialist tools for use in metal working, for grinding, brushing, deburring and polishing.

High Frequency Angle Grinders Page 108

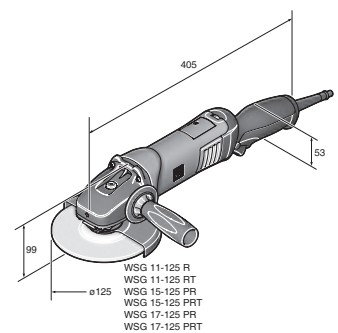
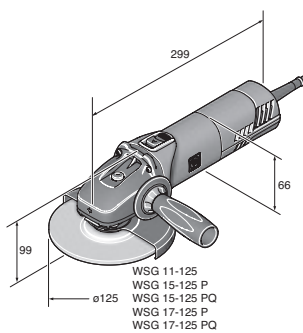
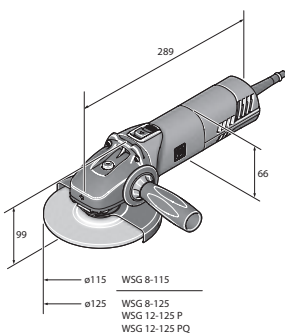
High Frequency Straight Grinders Page 113

Frequency converter Page 117

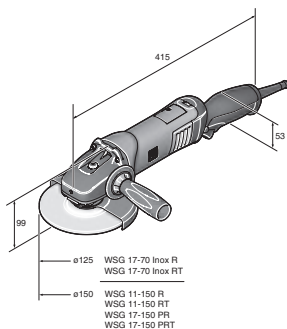
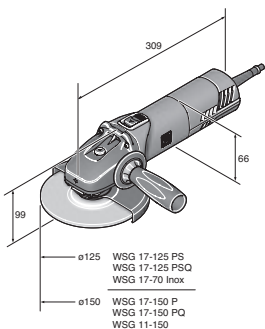


	MSfr 649-1	WSG 8-115	WSG 8-125	WSG 12-125 P	WSG 11-125	WSG 15-125 P	WSG 11-125 RT	WSG 15-125 PR	WSG 15-125 PRT	
	Long-necked angle grinder with spindle M 14 for working in difficult-to-reach areas.	Ergonomic 800 W compact angle grinder for deburring, sanding and cutting.		Ergonomic 1200 W compact angle grinder with high power reserve for effective sanding and cutting.	Ergonomic 1100 W compact angle grinder for deburring, sanding and cutting.	Ergonomic 1500 W compact angle grinder with high power reserve for effective sanding and cutting.	Ergonomic 1100 W compact angle grinder with FEIN ErgoGrip for fatigue-free working.	Ergonomic 1500 W compact angle grinder with FEIN ErgoGrip for fatigue-free working.		
Page	90	90	90	90	91	91	92	92	92	
Application	roughing-down	▲▲	▲	▲	▲▲	▲▲	▲▲	▲▲	▲▲	
	Deburring	▲	▲▲	▲▲	▲	▲	▲	▲	▲	
	dividing		▲	▲	▲▲	▲▲	▲▲	▲▲	▲▲	
	brushing		▲	▲	▲▲	▲▲	▲▲	▲	▲▲	
	satin-finishing									
Equipment	polishing									
	POWERtronic tacho electronics				●		●		●	
	Soft start				●		●		●	
	Restart protection				●		●		●	
	Blockage monitoring									
	Electronic overload protection				●		●		●	
	Electronic speed preselection									
	Long neck	●								
AutoStop dead man's switch							●			
Technical features	Input (W)	750	800	800	1 200	1 100	1 500	1 100	1 500	1 700
	Speed, no load (rpm)	12 000	11 000	11 000	11 000	11 000	11 000	11 000	11 000	11 000
	Weight according to EPTA (kg)	4,0	2,0	2,0	2,1	2,2	2,3	2,4	2,4	2,3
	Flange	M 14	M 14	M 14	M 14	M 14	M 14	M14	M14	M 14
	Grinding disc Ø (mm)	125	115	125	125	125	125	125	125	125
	Elast. Backing pad Ø (mm)		115	125	125	125	125	125	125	125

▲ suitability ▲▲ optimal suitability ● included



	WSG 17-125 P	WSG 17-125 PS	WSG 17-150 P	WSG 17-70 Inox	WSG 17-70 Inox starter set	WSG 17-125 PR	WSG 17-125 PRT	WSG 17-150 PR	WSG 17-150 PRT	WSG 17-70 Inox R	WSG 17-70 Inox RT
	Ergonomic compact angle grinder with high power reserve for effective sanding and cutting.	The specialist tool for serrated and fibre discs with extra high torque.	Ergonomic compact angle grinder with high power reserve for effective sanding and cutting.	The specialist tool with variable speed for stainless steel processing.	Stainless steel starter set for preparing to finish surfaces, pipes and profiles.	Ergonomic compact angle grinder with FEIN ErgoGrip for fatigue-free working.				Ergonomic compact angle grinder with FEIN ErgoGrip for fatigue-free working in stainless steel applications.	
	92	93	94	94	95	95	95	96	96	96	96
	▲▲	▲▲	▲▲	▲▲		▲▲	▲▲	▲▲	▲▲	▲▲	▲▲
	▲	▲	▲	▲		▲	▲	▲	▲	▲	▲
	▲	▲▲	▲▲	▲		▲▲	▲▲	▲▲	▲▲	▲	▲
	▲	▲▲	▲▲	▲		▲▲	▲▲	▲▲	▲▲	▲	▲
				▲▲						▲▲	▲▲
				▲						▲	▲
	●	●	●	●		●	●	●	●	●	●
	●	●	●	●		●	●	●	●	●	●
	●	●	●	●		●	●	●	●	●	●
	●			●							
	●	●	●	●		●	●	●	●	●	●
				●						●	●
							●		●		●
	1 700	1 700	1 700	1 700	1 700	1 700	1 700	1 700	1 700	1 700	1 700
	8 500	8 500	8 500	2 700 - 8 500	2 700 - 8 500	11 000	11 000	8 500	8 500	2 700 - 8 500	2 700 - 8 500
	2,4	2,4	2,4	2,4	2,4	2,4	2,4	2,6	2,6	2,5	2,5
	M 14	M 14	M 14	M 14	M 14	M14	M14	M14	M14	M 14	M 14
	125	150	150	125	125	125	125	150	150	125	125
	125	150	150	125	125	125	125	150	150	125	125



MSfv 649-1

Long-necked angle grinder with spindle M 14 for working in difficult-to-reach areas.



For accessories, see page 97

Input	W	750
Output	W	480
Speed, no load	rpm	12 000
Cable with plug	m	5
Weight according to EPTA	kg	4,0
Flange		M 14
Grinding disc Ø	mm	125
Part number		7 221 31 00 23 0
EAN		4014586858371

FEIN benefits:

- ▶ Very flat drive head to plunge a long way into workpieces.
- ▶ Safe and comfortable handling thanks to convenient handle positions.
- ▶ Wheel guard with protection against twisting.

Price includes:

1 wheel guard, 1 pair of flanges, 1 set of keys

WSG 8-115

Ergonomic 800 W compact angle grinder for deburring, sanding and cutting.



For accessories, see page 97

Input	W	800
Output	W	520
Speed, no load	rpm	11 000
Cable with plug	m	4
Weight according to EPTA	kg	2,0
Flange		M 14
Grinding disc Ø	mm	115
Elast. Backing pad Ø	mm	115
Part number		7 221 73 60 00 0
EAN		4014586875033

FEIN benefits:

- ▶ Carbon brushes last up to 30% longer and tool removes more material than comparable angle grinders.
- ▶ Solid metal gearbox head for maximum robustness and service life.
- ▶ The lightest model of its kind.
- ▶ H 07 industrial cable.
- ▶ The best vibration performance in its class.
- ▶ Safety hood can be adjusted without tools and has anti-twist protection.
- ▶ Spindle lock.

Price includes:

1 wheel guard, 1 pair of flanges, 1 additional handle, 1 key

WSG 8-125

Ergonomic 800 W compact angle grinder for deburring, sanding and cutting.



For accessories, see page 97

Input	W	800
Output	W	520
Speed, no load	rpm	11 000
Cable with plug	m	4
Weight according to EPTA	kg	2,0
Flange		M 14
Grinding disc Ø	mm	125
Elast. Backing pad Ø	mm	125
Part number		7 221 74 60 00 0
EAN		4014586875125

FEIN benefits:

- ▶ Carbon brushes last up to 30% longer and tool removes more material than comparable angle grinders.
- ▶ Solid metal gearbox head for maximum robustness and service life.
- ▶ The lightest model of its kind.
- ▶ H 07 industrial cable.
- ▶ The best vibration performance in its class.
- ▶ Safety hood can be adjusted without tools and has anti-twist protection.
- ▶ Spindle lock.

Price includes:

1 wheel guard, 1 pair of flanges, 1 additional handle, 1 key

WSG 12-125 P

Ergonomic 1200 W compact angle grinder with high power reserve for effective sanding and cutting.



For accessories, see page 97

Input	W	1 200
Output	W	650
Speed, no load	rpm	11 000
Cable with plug	m	4
Weight according to EPTA	kg	2,1
Flange		M 14
Grinding disc Ø	mm	125
Elast. Backing pad Ø	mm	125
Part number		7 221 75 60 00 0
EAN		4014586875217

FEIN benefits:

- ▶ Carbon brushes last up to 30% longer and tool removes more material than comparable angle grinders.
- ▶ POWERtronic for enormous power, power reserve and exceptional speed stability under load.
- ▶ User protection features include kickback stop, restart protection, soft start and electronic overload protection.
- ▶ The lightest and shortest model of its kind.
- ▶ Solid metal gearbox head for maximum robustness and service life.
- ▶ The best vibration performance in its class.
- ▶ H 07 industrial cable.

Price includes:

1 wheel guard, 1 pair of flanges, 1 anti-vibration handle, 1 key



WSG 12-125 PQ

Ergonomic 1200 W compact angle grinder with high power reserve for effective sanding and cutting.



For accessories, see page 97

Input	W	1 200
Output	W	650
Speed, no load	rpm	11 000
Cable with plug	m	4
Weight according to EPTA	kg	2,1
Flange		M 14
Grinding disc Ø	mm	125
Elast. Backing pad Ø	mm	125
Part number		7 221 76 60 00 0
EAN		4014586875309

FEIN benefits:

- ▶ Carbon brushes last up to 30% longer and tool removes more material than comparable angle grinders.
- ▶ POWERtronic for enormous power, power reserve and exceptional speed stability under load.
- ▶ User protection features include kickback stop, restart protection, soft start and electronic overload protection.
- ▶ The lightest and shortest model of its kind.
- ▶ Solid metal gearbox head for maximum robustness and service life.
- ▶ The best vibration performance in its class.
- ▶ H 07 industrial cable.

Price includes:

- 1 wheel guard, 1 Fixtec tool-free quick-clamping nut, 1 anti-vibration handle, 1 key

WSG 11-125

Ergonomic 1100 W compact angle grinder for deburring, sanding and cutting.



For accessories, see page 97

Input	W	1 100
Output	W	700
Speed, no load	rpm	11 000
Cable with plug	m	4
Weight according to EPTA	kg	2,2
Flange		M 14
Grinding disc Ø	mm	125
Elast. Backing pad Ø	mm	125
Part number		7 221 77 60 00 0
EAN		4014586875316

FEIN benefits:

- ▶ Carbon brushes last up to 30% longer and tool removes more material than comparable angle grinders.
- ▶ Solid metal gearbox head for maximum robustness and service life.
- ▶ The lightest model of its kind.
- ▶ H 07 industrial cable.
- ▶ The best vibration performance in its class.
- ▶ Safety hood can be adjusted without tools and has anti-twist protection.
- ▶ Spindle lock.

Price includes:

- 1 wheel guard, 1 pair of flanges, 1 additional handle, 1 key

WSG 15-125 P

Ergonomic 1500 W compact angle grinder with high power reserve for effective sanding and cutting.



For accessories, see page 97

Input	W	1 500
Output	W	900
Speed, no load	rpm	11 000
Cable with plug	m	4
Weight according to EPTA	kg	2,3
Flange		M 14
Grinding disc Ø	mm	125
Elast. Backing pad Ø	mm	125
Part number		7 221 78 60 00 0
EAN		4014586875323

FEIN benefits:

- ▶ Carbon brushes last up to 30% longer and tool removes more material than comparable angle grinders.
- ▶ POWERtronic for enormous power, power reserve and exceptional speed stability under load.
- ▶ User protection features include kickback stop, restart protection, soft start and electronic overload protection.
- ▶ The lightest and shortest model of its kind.
- ▶ Solid metal gearbox head for maximum robustness and service life.
- ▶ The best vibration performance in its class.
- ▶ H 07 industrial cable.

Price includes:

- 1 wheel guard, 1 pair of flanges, 1 anti-vibration handle, 1 key

WSG 15-125 PQ

Ergonomic 1500 W compact angle grinder with high power reserve for effective sanding and cutting.



For accessories, see page 97

Input	W	1 500
Output	W	900
Speed, no load	rpm	11 000
Cable with plug	m	4
Weight according to EPTA	kg	2,3
Flange		M 14
Grinding disc Ø	mm	125
Elast. Backing pad Ø	mm	125
Part number		7 221 79 60 00 0
EAN		4014586875330

FEIN benefits:

- ▶ Carbon brushes last up to 30% longer and tool removes more material than comparable angle grinders.
- ▶ POWERtronic for enormous power, power reserve and exceptional speed stability under load.
- ▶ User protection features include kickback stop, restart protection, soft start and electronic overload protection.
- ▶ The lightest and shortest model of its kind.
- ▶ Solid metal gearbox head for maximum robustness and service life.
- ▶ The best vibration performance in its class.
- ▶ H 07 industrial cable.

Price includes:

- 1 wheel guard, 1 Fixtec tool-free quick-clamping nut, 1 anti-vibration handle, 1 key

Grinding

WSG 11-125 RT

Ergonomic 1 100 W compact angle grinder with FEIN ErgoGrip for fatigue-free working.



For accessories, see page 97

Input	W	1 100
Output	W	700
Speed, no load	rpm	11 000
Cable with plug	m	4
Weight according to EPTA	kg	2,4
Flange		M14
Grinding disc Ø	mm	125
Elast. Backing pad Ø	mm	125
Part number		7 221 87 60 00 0
EAN		4014586879888

FEIN benefits:

- ▶ FEIN ErgoGrip - Unique ergonomic concept for fatigue-free working (patent pending).
- ▶ Carbon brushes last up to 30% longer and tool removes more material than comparable angle grinders.
- ▶ Solid metal gearbox head for maximum robustness and service life.
- ▶ AutoStop dead man's switch
- ▶ The lightest model of its kind.
- ▶ Industrial cable H07, length 4m - unique in this class.
- ▶ The best vibration performance in its class.
- ▶ Safety hood can be adjusted without tools and has anti-twist protection.

Price includes:

1 wheel guard, 1 pair of flanges, 1 additional handle, 1 key

WSG 15-125 PR

Ergonomic 1 500 W compact angle grinder with FEIN ErgoGrip for fatigue-free working.



For accessories, see page 97

Input	W	1 500
Output	W	900
Speed, no load	rpm	11 000
Cable with plug	m	4
Weight according to EPTA	kg	2,4
Flange		M14
Grinding disc Ø	mm	125
Elast. Backing pad Ø	mm	125
Part number		7 221 90 60 00 0
EAN		4014586879970

FEIN benefits:

- ▶ FEIN ErgoGrip - Unique ergonomic concept for fatigue-free working (patent pending).
- ▶ POWERtronic for enormous power, power reserve and exceptional speed stability under load.
- ▶ User protection features include kickback stop, restart protection, soft start and electronic overload protection.
- ▶ The lightest model of its kind.
- ▶ Solid metal gearbox head.
- ▶ The best vibration performance in its class.
- ▶ Industrial cable H07, length 4m.

Price includes:

1 wheel guard, 1 pair of flanges, 1 anti-vibration handle, 1 key

WSG 15-125 PRT

Ergonomic 1 500 W compact angle grinder with FEIN ErgoGrip for fatigue-free working.



For accessories, see page 97

Input	W	1 500
Output	W	900
Speed, no load	rpm	11 000
Cable with plug	m	4
Weight according to EPTA	kg	2,4
Flange		M14
Grinding disc Ø	mm	125
Elast. Backing pad Ø	mm	125
Part number		7 221 91 60 00 0
EAN		4014586880020

FEIN benefits:

- ▶ FEIN ErgoGrip - Unique ergonomic concept for fatigue-free working (patent pending).
- ▶ POWERtronic for enormous power, power reserve and exceptional speed stability under load.
- ▶ User protection features include kickback stop, restart protection, soft start and electronic overload protection.
- ▶ AutoStop dead man's switch
- ▶ The lightest model of its kind.
- ▶ Solid metal gearbox head.
- ▶ The best vibration performance in its class.
- ▶ Industrial cable H07, length 4m.

Price includes:

1 wheel guard, 1 pair of flanges, 1 anti-vibration handle, 1 key

WSG 17-125 P

Ergonomic compact angle grinder with high power reserve for effective sanding and cutting.



For accessories, see page 97

Input	W	1 700
Output	W	1 000
Speed, no load	rpm	11 000
Cable with plug	m	4
Weight according to EPTA	kg	2,3
Flange		M 14
Grinding disc Ø	mm	125
Elast. Backing pad Ø	mm	125
Part number		7 222 07 60 00 0
EAN		4014586883120

FEIN benefits:

- ▶ Carbon brushes last up to 30% longer and tool removes more material than comparable angle grinders.
- ▶ POWERtronic for enormous power, power reserve and exceptional speed stability under load.
- ▶ User protection features include kickback stop, restart protection, soft start and electronic overload protection.
- ▶ The lightest and shortest model of its kind.
- ▶ Solid metal gearbox head for maximum robustness and service life.
- ▶ The best vibration performance in its class.
- ▶ Industrial cable H07, length 4m.

Price includes:

1 wheel guard, 1 pair of flanges, 1 anti-vibration handle, 1 key



WSG 17-125 PQ



For accessories, see page 97

Ergonomic compact angle grinder with high power reserve for effective sanding and cutting.

Input	W	1 700
Output	W	1 000
Speed, no load	rpm	11 000
Cable with plug	m	4
Weight according to EPTA	kg	2,3
Flange		M 14
Grinding disc Ø	mm	125
Elast. Backing pad Ø	mm	125
Part number		7 222 08 60 00 0
EAN		4014586883175

FEIN benefits:

- ▶ Carbon brushes last up to 30% longer and tool removes more material than comparable angle grinders.
- ▶ POWERtronic for enormous power, power reserve and exceptional speed stability under load.
- ▶ User protection features include kickback stop, restart protection, soft start and electronic overload protection.
- ▶ The lightest and shortest model of its kind.
- ▶ Solid metal gearbox head for maximum robustness and service life.
- ▶ The best vibration performance in its class.
- ▶ Industrial cable H07, length 4m.

Price includes:

- 1 wheel guard, 1 Inner flange, 1 Fixtec tool-free quick-clamping nut, 1 anti-vibration handle, 1 key

WSG 17-125 PS



For accessories, see page 97

The specialist tool for serrated and fibre discs with extra high torque.

Input	W	1 700
Output	W	1 000
Speed, no load	rpm	8 500
Cable with plug	m	4
Weight according to EPTA	kg	2,4
Flange		M 14
Grinding disc Ø	mm	125
Elast. Backing pad Ø	mm	125
Part number		7 222 09 60 00 0
EAN		4014586883236

FEIN benefits:

- ▶ Carbon brushes last up to 30% longer and tool removes more material than comparable angle grinders.
- ▶ Optimum speed and high torque, specially for serrated and fibre discs.
- ▶ POWERtronic for enormous power, power reserve and exceptional speed stability under load.
- ▶ The lightest and shortest model of its kind.
- ▶ Blockage monitoring.
- ▶ Restart protection.
- ▶ Soft start.
- ▶ Electronic overload protection.
- ▶ Solid metal gearbox head for maximum robustness and service life.
- ▶ The best vibration performance in its class.
- ▶ Industrial cable H07, length 4m.

Price includes:

- 1 wheel guard, 1 pair of flanges, 1 anti-vibration handle, 1 key

WSG 17-125 PSQ



For accessories, see page 97

The specialist tool for serrated and fibre discs with extra high torque.

Input	W	1 700
Output	W	1 000
Speed, no load	rpm	8 500
Cable with plug	m	4
Weight according to EPTA	kg	2,4
Flange		M 14
Grinding disc Ø	mm	125
Elast. Backing pad Ø	mm	125
Part number		7 222 10 60 00 0
EAN		4014586883304

FEIN benefits:

- ▶ Carbon brushes last up to 30% longer and tool removes more material than comparable angle grinders.
- ▶ Optimum speed and high torque, specially for serrated and fibre discs.
- ▶ POWERtronic for enormous power, power reserve and exceptional speed stability under load.
- ▶ The lightest and shortest model of its kind.
- ▶ Blockage monitoring.
- ▶ Restart protection.
- ▶ Soft start.
- ▶ Electronic overload protection.
- ▶ Solid metal gearbox head for maximum robustness and service life.
- ▶ The best vibration performance in its class.
- ▶ Industrial cable H07, length 4m.

Price includes:

- 1 wheel guard, 1 Inner flange, 1 Fixtec tool-free quick-clamping nut, 1 anti-vibration handle, 1 key

Grinding

WSG 17-150 P



For accessories, see page 97

Ergonomic compact angle grinder with high power reserve for effective sanding and cutting.

Input	W	1 700
Output	W	1 000
Speed, no load	rpm	8 500
Cable with plug	m	4
Weight according to EPTA	kg	2,4
Flange		M 14
Grinding disc Ø	mm	150
Elast. Backing pad Ø	mm	150
Part number		7 222 11 60 00 0
EAN		4014586883366

FEIN benefits:

- ▶ Carbon brushes last up to 30% longer and tool removes more material than comparable angle grinders.
- ▶ POWERtronic for enormous power, power reserve and exceptional speed stability under load.
- ▶ User protection features include kickback stop, restart protection, soft start and electronic overload protection.
- ▶ The lightest and shortest model of its kind.
- ▶ Solid metal gearbox head for maximum robustness and service life.
- ▶ The best vibration performance in its class.
- ▶ Industrial cable H07, length 4m.

Price includes:

1 wheel guard, 1 pair of flanges, 1 anti-vibration handle, 1 key

WSG 17-150 PQ



For accessories, see page 97

Ergonomic compact angle grinder with high power reserve for effective sanding and cutting.

Input	W	1 700
Output	W	1 000
Speed, no load	rpm	8 500
Cable with plug	m	4
Weight according to EPTA	kg	2,4
Flange		M 14
Grinding disc Ø	mm	150
Elast. Backing pad Ø	mm	150
Part number		7 222 12 60 00 0
EAN		4014586883434

FEIN benefits:

- ▶ Carbon brushes last up to 30% longer and tool removes more material than comparable angle grinders.
- ▶ POWERtronic for enormous power, power reserve and exceptional speed stability under load.
- ▶ User protection features include kickback stop, restart protection, soft start and electronic overload protection.
- ▶ The lightest and shortest model of its kind.
- ▶ Solid metal gearbox head for maximum robustness and service life.
- ▶ The best vibration performance in its class.
- ▶ Industrial cable H07, length 4m.

Price includes:

1 wheel guard, 1 Inner flange, 1 Fixtec tool-free quick-clamping nut, 1 anti-vibration handle, 1 key

WSG 17-70 Inox



For accessories, see page 97

The specialist tool with variable speed for stainless steel processing.

Input	W	1 700
Output	W	1 000
Speed, no load	rpm	2 700 - 8 500
Cable with plug	m	4
Weight according to EPTA	kg	2,4
Flange		M 14
Grinding disc Ø	mm	125
Elast. Backing pad Ø	mm	125
Part number		7 222 13 60 00 0
EAN		4014586883496

FEIN benefits:

- ▶ Carbon brushes last up to 30% longer and tool removes more material than comparable angle grinders.
- ▶ Variable speed allows various tools to be used for applications ranging from satin-finishing to sanding stainless steel.
- ▶ POWERtronic for enormous power, power reserve and exceptional speed stability under load.
- ▶ The lightest and shortest model of its kind.
- ▶ Blockage monitoring.
- ▶ Restart protection.
- ▶ Soft start.
- ▶ Electronic overload protection.
- ▶ Solid metal gearbox head for maximum robustness and service life.
- ▶ The best vibration performance in its class.
- ▶ Industrial cable H07, length 4m.

Price includes:

1 wheel guard, 1 pair of flanges, 1 anti-vibration handle, 1 key



WSG 17-70 Inox starter set

Stainless steel starter set for preparing to finish surfaces, pipes and profiles.



For accessories, see page 190

Input	W	1 700
Output	W	1 000
Speed, no load	rpm	2 700 - 8 500
Cable with plug	m	4
Weight according to EPTA	kg	2,4
Flange		M 14
Grinding disc Ø	mm	125
Elast. Backing pad Ø	mm	125
Part number		7 222 13 61 00 0
EAN		4014586883564

FEIN benefits:

- ▶ Carbon brushes last up to 30% longer and tool removes more material than comparable angle grinders.
- ▶ Variable speed allows various tools to be used for applications ranging from satin-finishing to sanding stainless steel.
- ▶ POWERtronic for enormous power, power reserve and exceptional speed stability under load.
- ▶ The lightest and shortest model of its kind.
- ▶ Blockage monitoring.
- ▶ Restart protection.
- ▶ Soft start.
- ▶ Electronic overload protection.
- ▶ Solid metal gearbox head for maximum robustness and service life.
- ▶ The best vibration performance in its class.
- ▶ Industrial cable H07, length 4m.

Price includes:

1 FEIN compact angle grinder WSG 17-70 Inox in plastic tool case, 1 serrated sanding disc, medium, 1 finishing disc (diameter 125 mm), 5 each of Pyramix sanding sheet, perforated, diameter 115 mm (grit 280, 400, 800), 25 sanding sheets (grit 80, diameter 115 mm), 1 cooling backing pad (diameter 75 mm, M14), 1 supporting plate with velcro adhesion section (Ø 115 mm, M14)

WSG 17-125 PR

Ergonomic compact angle grinder with FEIN ErgoGrip for fatigue-free working.



For accessories, see page 97

Input	W	1 700
Output	W	1 000
Speed, no load	rpm	11 000
Cable with plug	m	4
Weight according to EPTA	kg	2,4
Flange		M14
Grinding disc Ø	mm	125
Elast. Backing pad Ø	mm	125
Part number		7 222 18 60 00 0
EAN		4014586883571

FEIN benefits:

- ▶ FEIN ErgoGrip - Unique ergonomic concept for fatigue-free working (patent pending).
- ▶ POWERtronic for enormous power, power reserve and exceptional speed stability under load.
- ▶ User protection features include kickback stop, restart protection, soft start and electronic overload protection.
- ▶ The lightest model of its kind.
- ▶ Solid metal gearbox head.
- ▶ The best vibration performance in its class.
- ▶ Industrial cable H07, length 4m.

Price includes:

1 wheel guard, 1 pair of flanges, 1 anti-vibration handle, 1 key

WSG 17-125 PRT

Ergonomic compact angle grinder with FEIN ErgoGrip for fatigue-free working.



For accessories, see page 97

Input	W	1 700
Output	W	1 000
Speed, no load	rpm	11 000
Cable with plug	m	4
Weight according to EPTA	kg	2,4
Flange		M14
Grinding disc Ø	mm	125
Elast. Backing pad Ø	mm	125
Part number		7 222 19 60 00 0
EAN		4014586883618

FEIN benefits:

- ▶ FEIN ErgoGrip - Unique ergonomic concept for fatigue-free working (patent pending).
- ▶ POWERtronic for enormous power, power reserve and exceptional speed stability under load.
- ▶ User protection features include kickback stop, restart protection, soft start and electronic overload protection.
- ▶ AutoStop dead man's switch
- ▶ The lightest model of its kind.
- ▶ Solid metal gearbox head.
- ▶ The best vibration performance in its class.
- ▶ Industrial cable H07, length 4m.

Price includes:

1 wheel guard, 1 pair of flanges, 1 anti-vibration handle, 1 key

Grinding

WSG 17-150 PR

New 2016



For accessories, see page 97

Ergonomic compact angle grinder with FEIN ErgoGrip for fatigue-free working.

Input	W	1 700
Output	W	1 000
Speed, no load	rpm	8 500
Cable with plug	m	4
Weight according to EPTA	kg	2,6
Flange		M14
Grinding disc Ø	mm	150
Elast. Backing pad Ø	mm	150
Part number		7 222 20 60 00 0
EAN		4014586883656

FEIN benefits:

- ▶ FEIN ErgoGrip - Unique ergonomic concept for fatigue-free working (patent pending).
- ▶ POWERtronic for enormous power, power reserve and exceptional speed stability under load.
- ▶ User protection features include kickback stop, restart protection, soft start and electronic overload protection.
- ▶ The lightest model of its kind.
- ▶ Solid metal gearbox head.
- ▶ The best vibration performance in its class.
- ▶ Industrial cable H07, length 4m.

Price includes:

1 wheel guard, 1 pair of flanges, 1 anti-vibration handle, 1 key

WSG 17-150 PRT

New 2016



For accessories, see page 97

Ergonomic compact angle grinder with FEIN ErgoGrip for fatigue-free working.

Input	W	1 700
Output	W	1 000
Speed, no load	rpm	8 500
Cable with plug	m	4
Weight according to EPTA	kg	2,6
Flange		M14
Grinding disc Ø	mm	150
Elast. Backing pad Ø	mm	150
Part number		7 222 21 60 00 0
EAN		4014586883694

FEIN benefits:

- ▶ FEIN ErgoGrip - Unique ergonomic concept for fatigue-free working (patent pending).
- ▶ POWERtronic for enormous power, power reserve and exceptional speed stability under load.
- ▶ User protection features include kickback stop, restart protection, soft start and electronic overload protection.
- ▶ AutoStop dead man's switch
- ▶ The lightest model of its kind.
- ▶ Solid metal gearbox head.
- ▶ The best vibration performance in its class.
- ▶ Industrial cable H07, length 4m.

Price includes:

1 wheel guard, 1 pair of flanges, 1 anti-vibration handle, 1 key

WSG 17-70 Inox R

New 2016



For accessories, see page 97

Ergonomic compact angle grinder with FEIN ErgoGrip for fatigue-free working in stainless steel applications.

Input	W	1 700
Output	W	1 000
Speed, no load	rpm	2 700 - 8 500
Cable with plug	m	4
Weight according to EPTA	kg	2,5
Flange		M14
Grinding disc Ø	mm	125
Elast. Backing pad Ø	mm	125
Part number		7 222 22 60 00 0
EAN		4014586883731

FEIN benefits:

- ▶ FEIN ErgoGrip - Unique ergonomic concept for fatigue-free working (patent pending).
- ▶ POWERtronic for enormous power, power reserve and exceptional speed stability under load.
- ▶ User protection features include kickback stop, restart protection, soft start and electronic overload protection.
- ▶ The lightest model of its kind.
- ▶ Solid metal gearbox head.
- ▶ The best vibration performance in its class.
- ▶ Industrial cable H07, length 4m.

Price includes:

1 wheel guard, 1 pair of flanges, 1 anti-vibration handle, 1 key

WSG 17-70 Inox RT

New 2016



For accessories, see page 97

Ergonomic compact angle grinder with FEIN ErgoGrip for fatigue-free working in stainless steel applications.

Input	W	1 700
Output	W	1 000
Speed, no load	rpm	2 700 - 8 500
Cable with plug	m	4
Weight according to EPTA	kg	2,5
Flange		M14
Grinding disc Ø	mm	125
Elast. Backing pad Ø	mm	125
Part number		7 222 23 60 00 0
EAN		4014586883779

FEIN benefits:

- ▶ FEIN ErgoGrip - Unique ergonomic concept for fatigue-free working (patent pending).
- ▶ POWERtronic for enormous power, power reserve and exceptional speed stability under load.
- ▶ User protection features include kickback stop, restart protection, soft start and electronic overload protection.
- ▶ AutoStop dead man's switch
- ▶ The lightest model of its kind.
- ▶ Solid metal gearbox head.
- ▶ The best vibration performance in its class.
- ▶ Industrial cable H07, length 4m.

Price includes:

1 wheel guard, 1 pair of flanges, 1 anti-vibration handle, 1 key



General accessories



Work gloves
Vibration-attenuating, certified according to EN 388/420, EN ISO 10819, EEC No. 0200, No. in pack 1 pair

Size	Part number
9 L	3 21 73 003 00 3
10 XL	3 21 73 004 00 1
11 XXL	3 21 73 005 00 5

General accessories WSG



Tool case
Plastic, inner dimensions: 470 x 275 x 116 mm

Part number
3 39 01 118 01 0



Plastic box
Box insert with lockable lid for small parts and accessories, suitable for tool box 3 39 01 118 01 0, max 5 items/box.

Part number
3 39 01 119 00 0



anti-vibration handle
M 8, vibration absorbing, to reduce the vibrations during longer jobs.

Part number
3 21 19 124 01 0



Fixtec quick-clamping nut
to change discs without need for tool, low height of just 8 mm

Part number
6 38 02 191 01 0



Inner flange

Part number
6 38 01 120 00 6



Threaded flange
M 14, for flexible grinding/cutting discs, fan-pattern grinding wheels and round brush

Part number
6 38 02 052 00 0



Threaded flange
M 14, for elastic backing pad and for twisted steel wire brush

Part number
6 38 01 154 00 7



Elastic backing pad
with flange M 14, for fibre sanding sheets Ø 125 mm

Ø mm	Part number
125	6 38 06 087 01 3

Protective covers



Wheel guard
for serrated and roughing discs

Ø mm	Part number
115	3 18 10 299 00 0
125	3 18 10 300 00 0
150	3 18 10 301 00 0



Safety hood for cutting work
for safe working with cutting wheels

Ø mm	Part number
115	6 38 11 016 01 0
125	6 38 11 017 01 0
150	6 38 11 018 01 0

Accessories for MSfv 649-1



Tool case
metal 700 x 180 x 100 mm

Part number
3 39 01 021 01 1

Inner flange
for wheels Ø 125 mm

Part number
6 38 01 079 00 9

Threaded flange
M 14, for wheels up to 6 mm

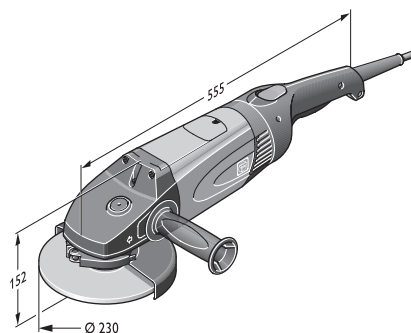
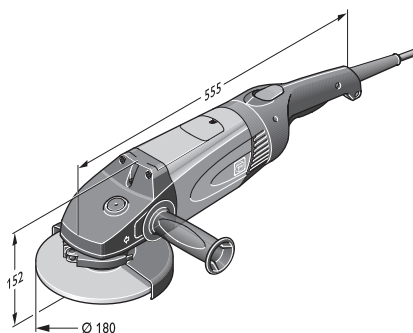
Part number
6 38 02 084 00 9

Grinding



		WSB 20-180	WSB 20-230	WSG 20-180	WSG 20-230	WSB 25-180 X	WSB 25-230 X	WSG 25-180	WSG 25-230
		Powerful safety angle grinder for grinding work.	Powerful safety angle grinder for grinding and cutting work.	Powerful angle grinder for grinding work.	Powerful angle grinder for grinding and cutting work.	The most powerful FEIN safety angle grinder for extreme grinding work.	The most powerful FEIN safety angle grinder for extreme cutting and grinding work.	The most powerful FEIN angle grinder for extreme grinding work.	The most powerful FEIN angle grinder for extreme cutting and grinding work.
Page		99	99	99	99	100	100	100	100
Application	Deburring	▲	▲	▲	▲	▲	▲	▲	▲
	roughing-down	▲▲	▲▲	▲▲	▲▲	▲▲	▲	▲▲	▲
	brushing			▲				▲	
	dividing		▲		▲		▲▲		▲▲
Equipment	FEIN high-power motor	●	●	●	●	●	●	●	●
	Soft start	●	●	●	●	●	●	●	●
	Restart protection	●	●	●	●	●	●	●	●
	Brake	●	●			●	●		
	AutoStop dead man's switch	+	+	+	+	+	+	+	+
Technical features	Input (W)	2 000	2 000	2 000	2 000	2 500	2 500	2 500	2 500
	Speed, no load (rpm)	8 500	6 600	8 500	6 600	8 500	6 600	8 500	6 600
	Weight according to EPTA (kg)	5,9	5,9	5,6	5,6	6,5	6,7	6,3	6,3
	Tool Holder	QuickIN	QuickIN			QuickIN	QuickIN		
	Mounting hole Ø (mm)	22,23	22,23			22,23	22,23		
	Flange			M 14	M 14			M 14	M 14
	Grinding disc Ø (mm)	180	230	180	230	180	230	180	230
	Elast. Backing pad Ø (mm)	180	230	180	230	180	230	180	230

▲ suitability ▲▲ optimal suitability + optional ● included





WSB 20-180

Powerful safety angle grinder for grinding work.



For accessories, see page 101

Input	W	2 000
Output	W	1 250
Speed, no load	rpm	8 500
Cable with plug	m	4
Weight according to EPTA	kg	5,9
Tool Holder		QuickIN
Mounting hole Ø	mm	22,23
Grinding disc Ø	mm	180
Elast. Backing pad Ø	mm	180
Part number		7 221 05 00 23 7
EAN		4014586851242

You will find tools with the AutoStop dead man's switch in the numerical section.

FEIN benefits:

- ▶ FEIN high-power motor - effective material removal over the entire operating range.
- ▶ Complete safety package with electronic brake system (EBS), restart lock and soft start.
- ▶ Tool-free FEIN QuickIN clamping system safely clamps tools without a key.
- ▶ Rear handle can be rotated through 4 positions.
- ▶ Dustproof ball bearing.
- ▶ Sealed electronic parts.
- ▶ Carbon brushes with self cut-off function.
- ▶ Restart protection.
- ▶ Also available with Auto Stop (with dead-mans switch) for maximum safety (7 221 05 29).

Price includes:

- 1 wheel guard, 1 clamp for flexible grinding/cutting discs, 1 additional handle

WSB 20-230

Powerful safety angle grinder for grinding and cutting work.



For accessories, see page 101

Input	W	2 000
Output	W	1 250
Speed, no load	rpm	6 600
Cable with plug	m	4
Weight according to EPTA	kg	5,9
Tool Holder		QuickIN
Mounting hole Ø	mm	22,23
Grinding disc Ø	mm	230
Elast. Backing pad Ø	mm	230
Part number		7 221 06 00 23 0
EAN		4014586851259

You will find tools with the AutoStop dead man's switch in the numerical section.

FEIN benefits:

- ▶ FEIN high-power motor - high sanding capacity over the full working range up to 150% load.
- ▶ Complete safety package with electronic brake system (EBS), restart lock and soft start.
- ▶ Tool-free FEIN QuickIN clamping system safely clamps tools without a key.
- ▶ Rear handle can be rotated through 4 positions.
- ▶ Dustproof ball bearing.
- ▶ Sealed electronic parts.
- ▶ Carbon brushes with self cut-off function.
- ▶ Restart protection.
- ▶ Also available with Auto Stop (with dead-mans switch) for maximum safety (7 221 06 29).

Price includes:

- 1 wheel guard, 1 clamp for flexible grinding/cutting discs, 1 additional handle

WSG 20-180

Powerful angle grinder for grinding work.



For accessories, see page 101

Input	W	2 000
Output	W	1 250
Speed, no load	rpm	8 500
Cable with plug	m	4
Weight according to EPTA	kg	5,6
Flange		M 14
Grinding disc Ø	mm	180
Elast. Backing pad Ø	mm	180
Part number		7 221 07 00 23 6
EAN		4014586851266

You will find tools with the AutoStop dead man's switch in the numerical section.

FEIN benefits:

- ▶ FEIN high-power motor - high sanding capacity over the full working range up to 150% load.
- ▶ Flat drive head allows the tool to be plunged into workpieces.
- ▶ Soft start for safe handling from the word go.
- ▶ Rear handle can be rotated through 4 positions.
- ▶ Dustproof ball bearing.
- ▶ Sealed electronic parts.
- ▶ Carbon brushes with self cut-off function.
- ▶ Restart protection.
- ▶ Also available with Auto Stop (with dead-mans switch) for maximum safety, 230 V only (7 221 07 29).

Price includes:

- 1 wheel guard, 1 pair of flanges, 1 additional handle, 1 key

WSG 20-230

Powerful angle grinder for grinding and cutting work.



For accessories, see page 101

Input	W	2 000
Output	W	1 250
Speed, no load	rpm	6 600
Cable with plug	m	4
Weight according to EPTA	kg	5,6
Flange		M 14
Grinding disc Ø	mm	230
Elast. Backing pad Ø	mm	230
Part number		7 221 08 00 23 2
EAN		4014586851273

You will find tools with the AutoStop dead man's switch in the numerical section.

FEIN benefits:

- ▶ FEIN high-power motor - high sanding capacity over the full working range up to 150% load.
- ▶ Flat drive head allows the tool to be plunged into workpieces.
- ▶ Soft start for safe handling from the word go.
- ▶ Rear handle can be rotated through 4 positions.
- ▶ Dustproof ball bearing.
- ▶ Sealed electronic parts.
- ▶ Carbon brushes with self cut-off function.
- ▶ Restart protection.
- ▶ Also available with Auto Stop (with dead-mans switch) for maximum safety, 230 V only (7 221 08 29).

Price includes:

- 1 wheel guard, 1 pair of flanges, 1 additional handle, 1 key

WSB 25-180 X

The most powerful FEIN safety angle grinder for extreme grinding work.



For accessories, see page 101

Input	W	2 500
Output	W	1 700
Speed, no load	rpm	8 500
Cable with plug	m	4
Weight according to EPTA	kg	6,5
Tool Holder		QuickIN
Mounting hole Ø	mm	22,23
Grinding disc Ø	mm	180
Elast. Backing pad Ø	mm	180
Part number		7 221 10 00 23 3
EAN		4014586853116

You will find tools with the AutoStop dead man's switch in the numerical section.

FEIN benefits:

- ▶ The 2,500 W FEIN high-power motor makes this the most powerful FEIN angle grinder with outstanding sanding capacity over the entire working range of up to 150% load.
- ▶ Complete safety package with electronic brake system (EBS), restart lock and soft start.
- ▶ Tool-free FEIN QuickIN clamping system safely clamps tools without a key.
- ▶ Rear handle can be rotated through 4 positions.
- ▶ Dustproof ball bearing.
- ▶ Sealed electronic parts.
- ▶ Carbon brushes with self cut-off function.
- ▶ Restart protection.
- ▶ Also available with Auto Stop (with dead-mans switch) for maximum safety (7 221 10 29).

Price includes:

- 1 wheel guard, 1 clamp for flexible grinding/cutting discs, 1 additional handle

WSB 25-230 X

The most powerful FEIN safety angle grinder for extreme cutting and grinding work.



For accessories, see page 101

Input	W	2 500
Output	W	1 700
Speed, no load	rpm	6 600
Cable with plug	m	4
Weight according to EPTA	kg	6,7
Tool Holder		QuickIN
Mounting hole Ø	mm	22,23
Grinding disc Ø	mm	230
Elast. Backing pad Ø	mm	230
Part number		7 221 11 00 23 2
EAN		4014586853123

You will find tools with the AutoStop dead man's switch in the numerical section.

FEIN benefits:

- ▶ The 2,500 W FEIN high-power motor makes this the most powerful FEIN angle grinder with outstanding sanding capacity over the entire working range of up to 150% load.
- ▶ Complete safety package with electronic brake system (EBS), restart lock and soft start.
- ▶ Tool-free FEIN QuickIN clamping system safely clamps tools without a key.
- ▶ Rear handle can be rotated through 4 positions.
- ▶ Dustproof ball bearing.
- ▶ Sealed electronic parts.
- ▶ Carbon brushes with self cut-off function.
- ▶ Restart protection.
- ▶ Also available with Auto Stop (with dead-mans switch) for maximum safety (7 221 11 29).

Price includes:

- 1 wheel guard, 1 clamp for flexible grinding/cutting discs, 1 additional handle

WSG 25-180

The most powerful FEIN angle grinder for extreme grinding work.



For accessories, see page 101

Input	W	2 500
Output	W	1 700
Speed, no load	rpm	8 500
Cable with plug	m	4
Weight according to EPTA	kg	6,3
Flange		M 14
Grinding disc Ø	mm	180
Elast. Backing pad Ø	mm	180
Part number		7 221 26 00 23 0
EAN		4014586856452

You will find tools with the AutoStop dead man's switch in the numerical section.

FEIN benefits:

- ▶ The 2,500 W FEIN high-power motor makes this the most powerful FEIN angle grinder with outstanding sanding capacity over the entire working range of up to 150% load.
- ▶ Flat drive head allows the tool to be plunged into workpieces.
- ▶ Soft start for safe handling from the word go.
- ▶ Rear handle can be rotated through 4 positions.
- ▶ Dustproof ball bearing.
- ▶ Sealed electronic parts.
- ▶ Carbon brushes with self cut-off function.
- ▶ Restart protection.
- ▶ Also available with Auto Stop (with dead-mans switch) for maximum safety (7 221 26 29).

Price includes:

- 1 wheel guard, 1 pair of flanges, 1 additional handle, 1 key

WSG 25-230

The most powerful FEIN angle grinder for extreme cutting and grinding work.



For accessories, see page 101

Input	W	2 500
Output	W	1 700
Speed, no load	rpm	6 600
Cable with plug	m	4
Weight according to EPTA	kg	6,3
Flange		M 14
Grinding disc Ø	mm	230
Elast. Backing pad Ø	mm	230
Part number		7 221 27 00 23 0
EAN		4014586856506

You will find tools with the AutoStop dead man's switch in the numerical section.

FEIN benefits:

- ▶ The 2,500 W FEIN high-power motor makes this the most powerful FEIN angle grinder with outstanding sanding capacity over the entire working range of up to 150% load.
- ▶ Flat drive head allows the tool to be plunged into complex workpieces.
- ▶ Soft start for safe handling from the word go.
- ▶ Rear handle can be rotated through 4 positions.
- ▶ Dustproof ball bearing.
- ▶ Sealed electronic parts.
- ▶ Carbon brushes with self cut-off function.
- ▶ Restart protection.
- ▶ Also available with Auto Stop (with dead-mans switch) for maximum safety (7 221 27 29).

Price includes:

- 1 wheel guard, 1 pair of flanges, 1 additional handle, 1 key



General accessories



Tool case
Metal

Length mm	Width mm	Height mm	Part number
690	240	160	3 39 01 022 01 4



anti-vibration handle
M 14, vibration absorbing, to reduce the vibrations during longer jobs.

Part number
3 21 19 117 01 5



Work gloves
Vibration-attenuating, certified according to EN 388/420, EN ISO 10819, EEC No. 0200, No. in pack 1 pair

Size	Part number
9 L	3 21 73 003 00 3
10 XL	3 21 73 004 00 1
11 XXL	3 21 73 005 00 5



Connecting piece
Universal device to connect power tools and accessories with dust extraction to vacuum cleaner. Flexible rubber sleeve, length 70 mm, inner diameter 31.5 mm.

Part number
3 13 22 771 00 9

Protective covers



Safety hood for cutting work

Ø mm	Part number
180	6 38 11 004 01 0
230	6 38 11 005 01 0



Protective suction hood
with guide block for cutting discs Ø 180 mm cutting depth 40 mm, connection Ø 32 mm

Part number
9 06 04 008 01 3



Protective suction hood
with guide block for cutting discs Ø 230 mm cutting depth 65 mm, connection Ø 32 mm

Part number
9 06 04 009 01 7

Accessories for WSB



Clamping unit
for flexible grinding/cutting discs as well as for fan-pattern wheels

Part number
6 38 02 183 02 5



Elastic backing pad
with clamping unit

Ø mm	Part number
180	6 38 06 174 02 8



Elastic backing pad
without clamping unit

Ø mm	Part number
180	6 38 06 174 01 2



Clamping unit
for elastic backing pads

Part number
6 38 02 185 02 7

Accessories for WSG



Threaded flange
M 14, for flexible grinding/cutting discs, fan-pattern grinding wheels and round brush

Part number
6 38 02 052 00 0



Inner flange

Part number
6 38 01 120 00 6



Elastic backing pad
with flange M 14

Ø mm	Part number
180	6 38 06 034 01 7



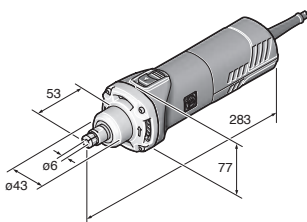
Threaded flange
M 14, for elastic backing pad and for twisted steel wire brush

Part number
6 38 01 154 00 7

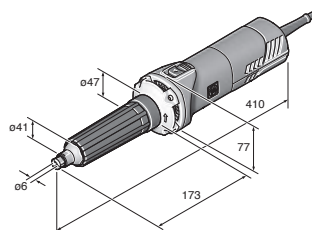


	GSZ 8-280 P	GSZ 8-280 PE	GSZ 8-280 PL	GSZ 8-280 PEL	GSZ 8-90 PEL	
	Ergonomic, powerful die grinder for grinding and deburring in difficult-to-reach spots; also suitable for semi-stationary use.		Ergonomic, powerful die grinder with high plunge depth for grinding and deburring in difficult-to-reach spots.		Ergonomic, powerful die grinder for stainless steel processing with high plunge depth for grinding and polishing in especially difficult-to-reach spots.	
Page	104	104	104	105	105	
Application	satin-finishing					
	brushing		▲		▲	
	polishing					▲▲
	cutting	▲▲	▲▲	▲▲	▲▲	
	Grinding	▲▲	▲▲	▲▲	▲▲	▲▲
	roughing-down		▲▲	▲▲	▲▲	
	Deburring		▲	▲	▲	
	dividing					
Technical features	Input (W)	750	750	750	750	710
	Speed, no load (rpm)	28 000	8 500 - 28 000	28 000	8 500 - 28 000	2 500 - 9 000
	Weight according to EPTA (kg)	1,4	1,4	1,8	1,8	1,8
	Collet for max. Ø (mm)	8	8	8	8	8
	Grinding wheel for max. Ø (mm)	45	50	45	50	50
	Long neck			●	●	●

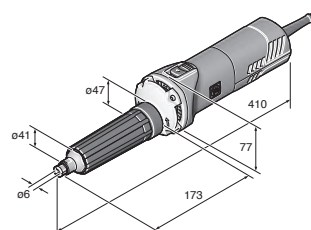
▲ suitability ▲▲ optimal suitability ● included



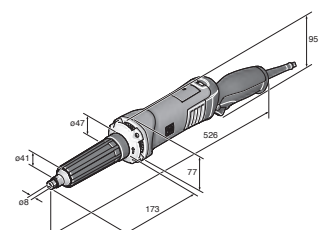
GSZ 8-280 P / PE



GSZ 8-280 PL / PEL

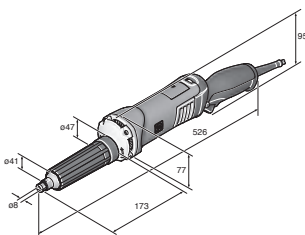


GSZ 8-90 PEL

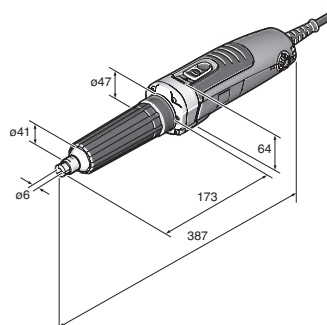


GSZ 11-320 PRL / PERL

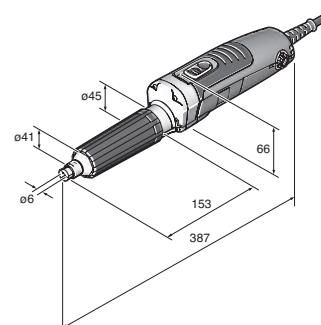
	GSZ 11-320 PRL	GSZ 11-320 PERL	GSZ 11-90 PERL	GSZ 4-280 EL	GSZ 4-90 EL
	Ergonomic, extremely powerful die grinder with high plunge depth for heavy-duty grinding and deburring in difficult-to-reach spots.		Ergonomic, extremely powerful die grinder for stainless steel processing with high plunge depth for heavy-duty grinding and polishing.	Extremely ergonomic die grinder with high plunge depth for light grinding and deburring in especially difficult-to-reach spots.	Extremely ergonomic die grinder for stainless steel processing with high plunge depth for light grinding and polishing in especially difficult-to-reach spots.
	105	106	106	106	107
			▲▲		▲▲
	▲	▲	▲▲	▲	▲▲
			▲▲		▲▲
	▲▲	▲▲		▲▲	
	▲▲	▲▲	▲▲	▲▲	▲▲
	▲▲	▲▲		▲▲	
	▲	▲		▲	
			▲		
	1 010	1 010	1 010	350	350
	32 500	9 500 - 32 500	2 900 - 9 900	13 000 - 28 000	3 500 - 8 500
	2,1	2,1	2,2	1,5	1,5
	8	8	8	6	6
	45	45	50	20	20
	●	●	●	●	●



GSZ 11-90 PERL



GSZ 4-280 EL



GSZ 4-90 EL

GSZ 8-280 P

Ergonomic, powerful die grinder for grinding and deburring in difficult-to-reach spots; also suitable for semi-stationary use.



For accessories, see page 107

Input	W	750
Output	W	400
Speed, no load	rpm	28 000
Cable with plug	m	4
Weight according to EPTA	kg	1,4
Collar Ø	mm	43
Collet for max. Ø	mm	8
Grinding wheel for max. Ø	mm	45
Max. cutter diameter	mm	12
Part number	7 223 16 60 00 0	
EAN	4014586879505	

FEIN benefits:

- ▶ Compact design for use in especially tight spaces, collar diameter of 43 mm for semi-stationary use as milling motor (e.g. as profile miller).
- ▶ User protection features include kickback stop, restart protection, soft start and electronic overload protection.
- ▶ Innovative collets with all-round flange to protect the workpiece and prevent the wrench sliding off during tool changes.
- ▶ POWERtronic tachoelectronics for enormous power, power reserve and exceptional speed stability under load.
- ▶ Motor and electronics protected against metal dust.

Price includes:

1 collet Ø 6 mm, Jaw spanner SW13, Jaw spanner SW17

GSZ 8-280 PE

Ergonomic, powerful die grinder for grinding and deburring in difficult-to-reach spots; also suitable for semi-stationary use.



For accessories, see page 107

Input	W	750
Output	W	400
Speed, no load	rpm	8 500 - 28 000
Cable with plug	m	4
Weight according to EPTA	kg	1,4
Collar Ø	mm	43
Collet for max. Ø	mm	8
Grinding wheel for max. Ø	mm	50
Max. cutter diameter	mm	12
Part number	7 223 17 60 00 0	
EAN	4014586879437	

FEIN benefits:

- ▶ Compact design for use in especially tight spaces, collar diameter of 43 mm for semi-stationary use as milling motor (e.g. as profile miller).
- ▶ User protection features include kickback stop, restart protection, soft start and electronic overload protection.
- ▶ Innovative collets with all-round flange to protect the workpiece and prevent the wrench sliding off during tool changes.
- ▶ Variable speed allows different tools to be used.
- ▶ POWERtronic tachoelectronics for enormous power, power reserve and exceptional speed stability under load.
- ▶ Motor and electronics protected against metal dust.

Price includes:

1 collet Ø 6 mm, Jaw spanner SW13, Jaw spanner SW17

GSZ 8-280 PL

Ergonomic, powerful die grinder with high plunge depth for grinding and deburring in difficult-to-reach spots.



For accessories, see page 107

Input	W	750
Output	W	410
Speed, no load	rpm	28 000
Cable with plug	m	4
Weight according to EPTA	kg	1,8
Collar Ø	mm	43
Collet for max. Ø	mm	8
Grinding wheel for max. Ø	mm	45
Max. cutter diameter	mm	12
Part number	7 223 18 60 00 0	
EAN	4014586879598	

FEIN benefits:

- ▶ Long narrow neck allows tool to plunge a long way into workpieces (e.g. grinding inside pipes).
- ▶ User protection features include kickback stop, restart protection, soft start and electronic overload protection.
- ▶ Innovative collets with all-round flange to protect the workpiece and prevent the wrench sliding off during tool changes.
- ▶ POWERtronic tachoelectronics for enormous power, power reserve and exceptional speed stability under load.
- ▶ Removable rubber collar bearing cover.
- ▶ Motor and electronics protected against metal dust.

Price includes:

1 collet Ø 6 mm, Jaw spanner SW13, Jaw spanner SW17

**GSZ 8-280 PEL**

Ergonomic, powerful die grinder with high plunge depth for grinding and deburring in difficult-to-reach spots.



For accessories, see page 107

Input	W	750
Output	W	410
Speed, no load	rpm	8 500 - 28 000
Cable with plug	m	4
Weight according to EPTA	kg	1,8
Collar Ø	mm	43
Collet for max. Ø	mm	8
Grinding wheel for max. Ø	mm	50
Max. cutter diameter	mm	12
Part number		7 223 19 60 00 0
EAN		4014586879444

FEIN benefits:

- ▶ Long narrow neck allows tool to plunge a long way into workpieces (e.g. grinding inside pipes).
- ▶ User protection features include kickback stop, restart protection, soft start and electronic overload protection.
- ▶ Innovative collets with all-round flange to protect the workpiece and prevent the wrench sliding off during tool changes.
- ▶ Variable speed allows different tools to be used.
- ▶ POWERtronic tachoelectronics for enormous power, power reserve and exceptional speed stability under load.
- ▶ Removable rubber collar bearing cover.
- ▶ Motor and electronics protected against metal dust.

Price includes:

1 collet Ø 6 mm, Jaw spanner SW13, Jaw spanner SW17

GSZ 8-90 PEL

Ergonomic, powerful die grinder for stainless steel processing with high plunge depth for grinding and polishing in especially difficult-to-reach spots.



For accessories, see page 107

Input	W	710
Output	W	420
Speed, no load	rpm	2 500 - 9 000
Cable with plug	m	4
Weight according to EPTA	kg	1,8
Collar Ø	mm	43
Collet for max. Ø	mm	8
Grinding wheel for max. Ø	mm	50
Max. cutter diameter	mm	12
Polishing disc Ø	mm	80
Part number		7 223 20 60 00 0
EAN		4014586879451

FEIN benefits:

- ▶ Long narrow neck allows tool to plunge a long way into workpieces (e.g. grinding inside pipes).
- ▶ User protection features include kickback stop, restart protection, soft start and electronic overload protection.
- ▶ Innovative collets with all-round flange to protect the workpiece and prevent the wrench sliding off during tool changes.
- ▶ POWERtronic tachoelectronics for enormous power, power reserve and exceptional speed stability under load.
- ▶ Removable rubber collar bearing cover.
- ▶ Motor and electronics protected against metal dust.

Price includes:

1 collet Ø 6 mm, Jaw spanner SW13, Jaw spanner SW17

GSZ 11-320 PRL

Ergonomic, extremely powerful die grinder with high plunge depth for heavy-duty grinding and deburring in difficult-to-reach spots.



For accessories, see page 107

Input	W	1 010
Output	W	620
Speed, no load	rpm	32 500
Cable with plug	m	4
Weight according to EPTA	kg	2,1
Collar Ø	mm	43
Collet for max. Ø	mm	8
Grinding wheel for max. Ø	mm	45
Max. cutter diameter	mm	12
Part number		7 223 21 60 00 0
EAN		4014586880495

FEIN benefits:

- ▶ Long narrow neck allows tool to plunge a long way into workpieces (e.g. grinding inside pipes).
- ▶ User protection features include kickback stop, restart protection, soft start and electronic overload protection.
- ▶ Innovative collets with all-round flange to protect the workpiece and prevent the wrench sliding off during tool changes.
- ▶ POWERtronic tachoelectronics for enormous power, power reserve and exceptional speed stability under load.
- ▶ Removable rubber collar bearing cover.
- ▶ Motor and electronics protected against metal dust.

Price includes:

1 collet Ø 8 mm, Jaw spanner SW13, Jaw spanner SW17

GSZ 11-320 PERL

Ergonomic, extremely powerful die grinder with high plunge depth for heavy-duty grinding and deburring in difficult-to-reach spots.



For accessories, see page 107

Input	W	1 010
Output	W	620
Speed, no load	rpm	9 500 - 32 500
Cable with plug	m	4
Weight according to EPTA	kg	2,1
Collar Ø	mm	43
Collet for max. Ø	mm	8
Grinding wheel for max. Ø	mm	45
Max. cutter diameter	mm	12
Part number	7 223 22 60 00 0	
EAN	4014586880501	

FEIN benefits:

- ▶ Long narrow neck allows tool to plunge a long way into workpieces (e.g. grinding inside pipes).
- ▶ User protection features include kickback stop, restart protection, soft start and electronic overload protection.
- ▶ Innovative collets with all-round flange to protect the workpiece and prevent the wrench sliding off during tool changes.
- ▶ Variable speed allows different tools to be used.
- ▶ POWERtronic tachoelectronics for enormous power, power reserve and exceptional speed stability under load.
- ▶ Removable rubber collar bearing cover.
- ▶ Motor and electronics protected against metal dust.

Price includes:

1 collet Ø 8 mm, Jaw spanner SW13, Jaw spanner SW17

GSZ 11-90 PERL

Ergonomic, extremely powerful die grinder for stainless steel processing with high plunge depth for heavy-duty grinding and polishing.



For accessories, see page 107

Input	W	1 010
Output	W	620
Speed, no load	rpm	2 900 - 9 900
Cable with plug	m	4
Weight according to EPTA	kg	2,2
Collar Ø	mm	43
Collet for max. Ø	mm	8
Grinding wheel for max. Ø	mm	50
Max. cutter diameter	mm	12
Polishing disc Ø	mm	80
Part number	7 223 23 60 00 0	
EAN	4014586880525	

FEIN benefits:

- ▶ Long narrow neck allows tool to plunge a long way into workpieces (e.g. grinding inside pipes).
- ▶ User protection features include kickback stop, restart protection, soft start and electronic overload protection.
- ▶ Innovative collets with all-round flange to protect the workpiece and prevent the wrench sliding off during tool changes.
- ▶ Variable speed allows different tools to be used.
- ▶ POWERtronic tachoelectronics for enormous power, power reserve and exceptional speed stability under load.
- ▶ Removable rubber collar bearing cover.
- ▶ Motor and electronics protected against metal dust.

Price includes:

1 collet Ø 8 mm, Jaw spanner SW13, Jaw spanner SW17

GSZ 4-280 EL

Extremely ergonomic die grinder with high plunge depth for light grinding and deburring in especially difficult-to-reach spots.



For accessories, see page 107

Input	W	350
Output	W	170
Speed, no load	rpm	13 000 - 28 000
Cable with plug	m	5
Weight according to EPTA	kg	1,5
Collar Ø	mm	43
Collet for max. Ø	mm	6
Grinding wheel for max. Ø	mm	20
Max. cutter diameter	mm	12
Part number	7 223 24 60 00 0	
EAN	4014586880594	

FEIN benefits:

- ▶ Long narrow neck and maximum diameter of 210 mm allows tool to plunge a long way into workpieces (e.g. grinding inside pipes).
- ▶ Innovative collets with all-round flange to protect the workpiece and prevent the wrench sliding off during tool changes.
- ▶ Variable speed allows different tools to be used.
- ▶ Motor and electronics protected against metal dust.
- ▶ Removable rubber collar bearing cover.

Price includes:

1 collet Ø 6 mm, Jaw spanner SW13, Jaw spanner SW17



GSZ 4-90 EL

Extremely ergonomic die grinder for stainless steel processing with high plunge depth for light grinding and polishing in especially difficult-to-reach spots.



For accessories, see page 107

Input	W	350
Output	W	170
Speed, no load	rpm	3 500 - 8 500
Cable with plug	m	5
Weight according to EPTA	kg	1,5
Collet for max. Ø	mm	6
Grinding wheel for max. Ø	mm	20
Max. cutter diameter	mm	12
Polishing disc Ø	mm	50 x 10
Part number		7 223 25 60 00 0
EAN		4014586880648

FEIN benefits:

- ▶ Long narrow neck and maximum diameter of 210 mm allows tool to plunge a long way into workpieces (e.g. grinding inside pipes).
- ▶ Innovative collets with all-round flange to protect the workpiece and prevent the wrench sliding off during tool changes.
- ▶ Variable speed allows different tools to be used.
- ▶ Motor and electronics protected against metal dust.
- ▶ Removable rubber collar bearing cover.

Price includes:

1 collet Ø 6 mm, Jaw spanner SW13, Jaw spanner SW17

Die Grinders

Collets for GSZ 4, GSZ 8, GSZ 11



Collets

With all-round flange to protect the workpiece and prevent the wrench sliding off during tool changes.

Ø mm	Part number
3	6 32 07 130 00 0
6	6 32 07 128 00 0
8	6 32 07 129 00 0
1/4"	6 32 07 131 00 0



Collets Inox

Stainless steel model, with all-round flange to protect the workpiece and prevent the wrench sliding off during tool changes.

Ø mm	Part number
3	6 32 07 132 00 0
6	6 32 07 133 00 0
8	6 32 07 134 00 0
1/4"	6 32 07 135 00 0

Collets for MSh 635



Collets

Ø mm	Part number
3	6 32 07 097 00 0
6	6 32 07 103 00 9

Collets for MSh 636-1, MSh 648-1, MSHe 648-1, MShy 648-1Z



Collets

Depth 30 mm

Ø mm	Part number
3	6 32 07 087 00 1
6	6 32 07 059 00 6
8	6 32 07 069 00 5
1/4"	6 32 07 088 00 9

General accessories



Tool case

Plastic, inner dimensions: 470 x 275 x 116 mm

Part number	3 39 01 118 01 0
-------------	------------------



Plastic box

Box insert with lockable lid for small parts and accessories, suitable for tool box 3 39 01 118 01 0, max 5 items/box.

Part number	3 39 01 119 00 0
-------------	------------------



	MSfo 869-1c 300 Hz 200 V	MSfo 869-1d 300 Hz 200 V	MSfo 852-1c 300 Hz 200 V	MSfo 852-1d 300 Hz 200 V	MSfo 870-1c 300 Hz 200 V	
	Powerful HF angle grinder for heavy-duty cutting and grinding work.	Powerful HF angle grinder for heavy-duty grinding work.	Powerful HF angle grinder for medium- to heavy-duty grinding and brushing work.		The most powerful FEIN HF angle grinder for extreme cutting and grinding work.	
Page	110	110	110	111	111	
Application	roughing-down	▲▲	▲▲	▲▲	▲▲	▲▲
	Deburring	▲	▲	▲	▲	▲
	dividing	▲▲	▲	▲	▲	▲▲
Technical features	Frequency (Hz)	300	300	300	300	300
	Voltage/type of current (V(3~))	200	200	200	200	200
	Input (W)	3 100	3 100	1 900	1 900	3 700
	Output (W)	2 450	2 450	1 400	1 400	2 800
	Speed, no load (rpm)	6 500	8 600	6 400	8 500	6 600
	Cable (m)	5	5	5	5	5
	Weight according to EPTA (kg)	7,7	7,4	6,3	5,9	8,5
	Flange	M 14	M 14	M 14	M 14	M 14
	Grinding disc Ø (mm)	230	180	230	180	230
Elast. Backing pad Ø (mm)	180	180	180	180	180	

▲ suitability

▲▲ optimal suitability



	MSfo 870-1d 300 Hz 200 V	MSfov 852-1 300 Hz 200 V	MSf 843-1c 300 Hz 200 V	HFw 9-125 300 Hz 200 V
	The most powerful FEIN HF angle grinder for extreme grinding work.	Long-neck HF angle grinder for hard-to-reach places.	Powerful HF compact angle grinder for medium-duty grinding and deburring work.	Handy HF compact angle grinder for light-duty grinding and deburring work.
	111	112	112	112
	▲▲	▲▲	▲▲	▲
	▲	▲	▲	▲▲
	▲		▲	
	300	300		300
	200	200	200	200
	3 700	1 900	1 100	900
	2 800	1 400	700	690
	8 600	8 800	6 500	7 100
	5	5	5	5
	8,2	5,2	3,6	2,5
	M 14	M 14	M 14	M 14
	180	125	125	125
	180	-	125	125



MSfo 869-1c 300 Hz 200 V



For accessories, see page 120

Powerful HF angle grinder for heavy-duty cutting and grinding work.

Frequency	Hz	300
Voltage/type of current	V(3~)	200
Input	W	3 100
Output	W	2 450
Speed, no load	rpm	6 500
Cable	m	5
Weight according to EPTA	kg	7,7
Flange		M 14
Grinding disc Ø	mm	230
Elast. Backing pad Ø	mm	180
Part number		7 820 62 00 26 0
EAN		4014586856759

You will find other frequencies and voltages in the numerical section.

FEIN benefits:

- ▶ Metal motor and gearbox housing for maximum load capacity in industrial continuous use.
- ▶ Fully encapsulated motor, 100% dust protection with surface cooling for maximum stability and service life even under extreme conditions of use.
- ▶ Low-wear and low-maintenance.
- ▶ Maximum reliability and outstanding service life.
- ▶ High effective output.
- ▶ Great speed consistency.

Price includes:

1 wheel guard, 1 pair of flanges, 1 set of keys, 1 anti-vibration handle

MSfo 869-1d 300 Hz 200 V



For accessories, see page 120

Powerful HF angle grinder for heavy-duty grinding work.

Frequency	Hz	300
Voltage/type of current	V(3~)	200
Input	W	3 100
Output	W	2 450
Speed, no load	rpm	8 600
Cable	m	5
Weight according to EPTA	kg	7,4
Flange		M 14
Grinding disc Ø	mm	180
Elast. Backing pad Ø	mm	180
Part number		7 820 65 00 26 0
EAN		4014586856834

You will find other frequencies and voltages in the numerical section.

FEIN benefits:

- ▶ Metal motor and gearbox housing for maximum load capacity in industrial continuous use.
- ▶ Fully encapsulated motor, 100% dust protection with surface cooling for maximum stability and service life even under extreme conditions of use.
- ▶ Low-wear and low-maintenance.
- ▶ Maximum reliability and outstanding service life.
- ▶ High effective output.
- ▶ Great speed consistency.

Price includes:

1 wheel guard, 1 pair of flanges, 1 set of keys, 1 anti-vibration handle

MSfo 852-1c 300 Hz 200 V



For accessories, see page 120

Powerful HF angle grinder for medium- to heavy-duty grinding and brushing work.

Frequency	Hz	300
Voltage/type of current	V(3~)	200
Input	W	1 900
Output	W	1 400
Speed, no load	rpm	6 400
Cable	m	5
Weight according to EPTA	kg	6,3
Flange		M 14
Grinding disc Ø	mm	230
Elast. Backing pad Ø	mm	180
Part number		7 820 71 00 26 0
EAN		4014586856933

You will find other frequencies and voltages in the numerical section.

FEIN benefits:

- ▶ Metal motor and gearbox housing for maximum load capacity in industrial continuous use.
- ▶ Fully encapsulated motor, 100% dust protection with surface cooling for maximum stability and service life even under extreme conditions of use.
- ▶ Low-wear and low-maintenance.
- ▶ Maximum reliability and outstanding service life.
- ▶ High effective output.
- ▶ Great speed consistency.

Price includes:

1 wheel guard, 1 pair of flanges, 1 set of keys, 1 anti-vibration handle



MSfo 852-1d 300 Hz 200 V

Powerful HF angle grinder for medium- to heavy-duty grinding and brushing work.



For accessories, see page 120

Frequency	Hz	300
Voltage/type of current	V(3~)	200
Input	W	1 900
Output	W	1 400
Speed, no load	rpm	8 500
Cable	m	5
Weight according to EPTA	kg	5,9
Flange		M 14
Grinding disc Ø	mm	180
Elast. Backing pad Ø	mm	180
Part number		7 820 73 00 26 0
EAN		4014586856971

FEIN benefits:

- ▶ Metal motor and gearbox housing for maximum load capacity in industrial continuous use.
- ▶ Fully encapsulated motor, 100% dust protection with surface cooling for maximum stability and service life even under extreme conditions of use.
- ▶ Low-wear and low-maintenance.
- ▶ Maximum reliability and outstanding service life.
- ▶ High effective output.
- ▶ Great speed consistency.

Price includes:

1 wheel guard, 1 pair of flanges, 1 set of keys, 1 anti-vibration handle

You will find other frequencies and voltages in the numerical section.

MSfo 870-1c 300 Hz 200 V

The most powerful FEIN HF angle grinder for extreme cutting and grinding work.



For accessories, see page 120

Frequency	Hz	300
Voltage/type of current	V(3~)	200
Input	W	3 700
Output	W	2 800
Speed, no load	rpm	6 600
Cable	m	5
Weight according to EPTA	kg	8,5
Flange		M 14
Grinding disc Ø	mm	230
Elast. Backing pad Ø	mm	180
Part number		7 820 75 00 26 0
EAN		4014586857053

FEIN benefits:

- ▶ Metal motor and gearbox housing for maximum load capacity in industrial continuous use.
- ▶ Fully encapsulated motor, 100% dust protection with surface cooling for maximum stability and service life even under extreme conditions of use.
- ▶ Low-wear and low-maintenance.
- ▶ Maximum reliability and outstanding service life.
- ▶ High effective output.
- ▶ Great speed consistency.

Price includes:

1 wheel guard, 1 pair of flanges, 1 set of keys, 1 anti-vibration handle

You will find other frequencies and voltages in the numerical section.

MSfo 870-1d 300 Hz 200 V

The most powerful FEIN HF angle grinder for extreme grinding work.



For accessories, see page 120

Frequency	Hz	300
Voltage/type of current	V(3~)	200
Input	W	3 700
Output	W	2 800
Speed, no load	rpm	8 600
Cable	m	5
Weight according to EPTA	kg	8,2
Flange		M 14
Grinding disc Ø	mm	180
Elast. Backing pad Ø	mm	180
Part number		7 820 77 00 26 0
EAN		4014586857107

FEIN benefits:

- ▶ Metal motor and gearbox housing for maximum load capacity in industrial continuous use.
- ▶ Fully encapsulated motor, 100% dust protection with surface cooling for maximum stability and service life even under extreme conditions of use.
- ▶ Low-wear and low-maintenance.
- ▶ Maximum reliability and outstanding service life.
- ▶ High effective output.
- ▶ Great speed consistency.

Price includes:

1 wheel guard, 1 pair of flanges, 1 set of keys, 1 anti-vibration handle

You will find other frequencies and voltages in the numerical section.

MSfov 852-1 300 Hz 200 V



For accessories, see page 120

Long-neck HF angle grinder for hard-to-reach places.

Frequency	Hz	300
Voltage/type of current	V(3~)	200
Input	W	1 900
Output	W	1 400
Speed, no load	rpm	8 800
Cable	m	5
Weight according to EPTA	kg	5,2
Flange		M 14
Grinding disc Ø	mm	125
Elast. Backing pad Ø	mm	-
Part number		7 820 83 00 26 0
EAN		4014586857336

FEIN benefits:

- ▶ Low profile gearbox head 65 mm in height, including grinding disc.
- ▶ Metal motor and gearbox housing for maximum load capacity in industrial continuous use.
- ▶ Fully encapsulated motor, 100% dust protection with surface cooling for maximum stability and service life even under extreme conditions of use.
- ▶ Low-wear and low-maintenance.
- ▶ Maximum reliability and outstanding service life.
- ▶ High effective output.
- ▶ Great speed consistency.

Price includes:

1 wheel guard, 1 pair of flanges, 1 set of keys

You will find other frequencies and voltages in the numerical section.

MSf 843-1c 300 Hz 200 V



For accessories, see page 120

Powerful HF compact angle grinder for medium-duty grinding and deburring work.

Voltage/type of current	V(3~)	200
Input	W	1 100
Output	W	700
Speed, no load	rpm	6 500
Cable	m	5
Weight according to EPTA	kg	3,6
Flange		M 14
Grinding disc Ø	mm	125
Elast. Backing pad Ø	mm	125
Part number		7 820 85 00 26 0
EAN		4014586864402

FEIN benefits:

- ▶ Metal motor and gearbox housing for maximum load capacity in industrial continuous use.
- ▶ Powerful ventilation for effective motor cooling.
- ▶ Low-wear and low-maintenance.
- ▶ Maximum reliability and outstanding service life.
- ▶ High effective output.
- ▶ Great speed consistency.

Price includes:

1 wheel guard, 1 pair of flanges, 1 anti-vibration handle, 1 set of keys

You will find other frequencies and voltages in the numerical section.

HFw 9-125 300 Hz 200 V



For accessories, see page 120

Handy HF compact angle grinder for light-duty grinding and deburring work.

Frequency	Hz	300
Voltage/type of current	V(3~)	200
Input	W	900
Output	W	690
Speed, no load	rpm	7 100
Cable	m	5
Weight according to EPTA	kg	2,5
Flange		M 14
Grinding disc Ø	mm	125
Elast. Backing pad Ø	mm	125
Part number		7 820 86 60 00 0
EAN		4014586869513

FEIN benefits:

- ▶ Highly efficient compact angle grinder with the highest grinding capacity on the market.
- ▶ Dust-proof, fully encapsulated switch for maximum service life.
- ▶ Very thick-walled metal gearbox head made from cast aluminium for maximum stability and service life.
- ▶ Perfect ergonomics with 2 handle zones and the smallest handle size for optimum handling even in continuous use.
- ▶ Powerful ventilation.
- ▶ Air escapes to the bottom.
- ▶ High effective output.
- ▶ Great speed consistency.
- ▶ Low weight.

Price includes:

1 wheel guard, 1 pair of flanges, 1 anti-vibration handle, 1 set of keys

You will find other frequencies and voltages in the numerical section.

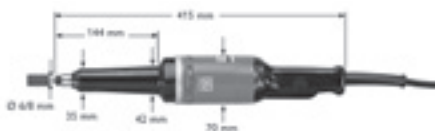


Grinding

	MSho 840-2 300 Hz 200 V	MSh 843-1 300 Hz 200 V	MSho 849-1Z 300 Hz 200 V	MShyo 869-1a 300 Hz 200 V	MShyo 869-1d 300 Hz 200 V	MShyo 852-3a 300 Hz 200 V	MShyo 852-4a 300 Hz 200 V	MSho 852-1 300 Hz 200 V	
	Handy HF straight grinder for light-duty grinding work.	Lightweight and handy HF straight grinder for milling work.	Powerful HF straight grinder for medium-duty grinding work with pin tools.	The most powerful FEIN HF straight grinder for satin-finishing work with large tools.	The most powerful FEIN HF straight grinder for heavy-duty grinding work.	Powerful HF straight grinder for medium- to heavy-duty grinding work.	Powerful HF straight grinder for satin-finishing work.	Powerful HF straight grinder for medium-duty to heavy-duty high-speed grinding work.	
Page	114	114	114	114	115	115	115	115	
Application	roughing-down	▲		▲▲		▲▲	▲▲	▲▲	
	Deburring	▲▲						▲	
	satin-finishing				▲▲		▲▲	▲	
	cutting		▲▲						
Technical features	Frequency (Hz)	300	300	300	300	300	300	300	
	Voltage/type of current (V(3~))	200	200	200	200	200	200	200	
	Input (W)	410	1 100	1 500	3 100	3 100	1 900	1 900	1 900
	Output (W)	290	700	1 075	2 450	2 410	1 400	1 400	1 400
	Speed, no load (rpm)	18 000	18 000	18 000	5 000	10 200	10 200	5 800	18 000
	Cable (m)	5	5	5	5	5	5	5	5
	Weight according to EPTA (kg)	2,1	3,0	3,9	8,9	8,9	5,2	5,7	5,2
	Flange				M 16	M 16	M 12	M 12	M 12
	Collet for max. Ø (mm)	6	6	8					
	Grinding wheel for max. Ø (mm)	50	40	50					

▲ suitability

▲▲ optimal suitability



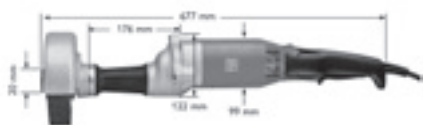
MSho 840-2



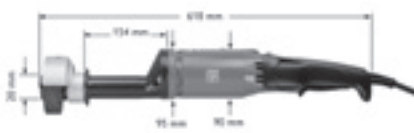
MSh 843-1



MSho 849-1



MShyo 869-1



MShyo 852

MSho 840-2 300 Hz 200 V



For accessories, see page 120

Handy HF straight grinder for light-duty grinding work.

Frequency	Hz	300
Voltage/type of current	V(3~)	200
Input	W	410
Output	W	290
Speed, no load	rpm	18 000
Cable	m	5
Weight according to EPTA	kg	2,1
Collet for max. Ø	mm	6
Grinding wheel for max. Ø	mm	50
Part number	7 823 03 00 26 0	
EAN	4014586827636	

You will find other frequencies and voltages in the numerical section.

FEIN benefits:

- ▶ Extremely handy for universal use.
- ▶ Split grinding spindle with multiple mountings for absolutely precise and vibration-free concentricity.
- ▶ Metal motor and gearbox housing for maximum load capacity in industrial continuous use.
- ▶ Fully encapsulated motor, 100% dust protection with surface cooling for maximum stability and service life even under extreme conditions of use.
- ▶ Low-wear and low-maintenance.
- ▶ Maximum reliability and outstanding service life.
- ▶ High effective output.
- ▶ Great speed consistency.

Price includes:

1 collet Ø 6 mm, 1 set of keys

MSh 843-1 300 Hz 200 V



For accessories, see page 120

Lightweight and handy HF straight grinder for milling work.

Frequency	Hz	300
Voltage/type of current	V(3~)	200
Input	W	1 100
Output	W	700
Speed, no load	rpm	18 000
Cable	m	5
Weight according to EPTA	kg	3,0
Collet for max. Ø	mm	6
Grinding wheel for max. Ø	mm	40
Part number	7 823 19 00 26 0	
EAN	4014586857947	

You will find other frequencies and voltages in the numerical section.

FEIN benefits:

- ▶ Split grinding spindle with multiple mountings for absolutely precise and vibration-free concentricity.
- ▶ Metal motor and gearbox housing for maximum load capacity in industrial continuous use.
- ▶ Powerful ventilation for effective motor cooling.
- ▶ Low-wear and low-maintenance.
- ▶ Maximum reliability and outstanding service life.
- ▶ High effective output.
- ▶ Great speed consistency.

Price includes:

1 collet Ø 6 mm, 1 set of keys

MSho 849-1Z 300 Hz 200 V



For accessories, see page 120

Powerful HF straight grinder for medium-duty grinding work with pin tools.

Frequency	Hz	300
Voltage/type of current	V(3~)	200
Input	W	1 500
Output	W	1 075
Speed, no load	rpm	18 000
Cable	m	5
Weight according to EPTA	kg	3,9
Collet for max. Ø	mm	8
Grinding wheel for max. Ø	mm	50
Part number	7 823 20 00 26 0	
EAN	4014586858012	

You will find other frequencies and voltages in the numerical section.

FEIN benefits:

- ▶ Powerful for high grinding capacity.
- ▶ Split grinding spindle with multiple mountings for absolutely precise and vibration-free concentricity.
- ▶ Metal motor and gearbox housing for maximum load capacity in industrial continuous use.
- ▶ Powerful ventilation for effective motor cooling.
- ▶ Low-wear and low-maintenance.
- ▶ Maximum reliability and outstanding service life.
- ▶ High effective output.
- ▶ Great speed consistency.

Price includes:

1 collet Ø 8 mm, 1 set of keys

MShyo 869-1a 300 Hz 200 V



For accessories, see page 120

The most powerful FEIN HF straight grinder for satin-finishing work with large tools.

Frequency	Hz	300
Voltage/type of current	V(3~)	200
Input	W	3 100
Output	W	2 450
Speed, no load	rpm	5 000
Cable	m	5
Weight according to EPTA	kg	8,9
Flange		M 16
Grinding wheel for max. Ø x width	mm	175 x 40
Part number	7 824 37 00 26 0	
EAN	4014586857633	

You will find other frequencies and voltages in the numerical section.

FEIN benefits:

- ▶ Ideal power/weight ratio and excellent efficiency.
- ▶ Powerful for high grinding capacity.
- ▶ Extremely quiet running.
- ▶ Metal motor and gearbox housing for maximum load capacity in industrial continuous use.
- ▶ Fully encapsulated motor, 100% dust protection with surface cooling for maximum stability and service life even under extreme conditions of use.
- ▶ Low-wear and low-maintenance.
- ▶ Maximum reliability and outstanding service life.
- ▶ High effective output.
- ▶ Great speed consistency.

Price includes:

1 wheel guard, 1 set of keys, 1 pair of flanges



MShyo 869-1d 300 Hz 200 V

The most powerful FEIN HF straight grinder for heavy-duty grinding work.



For accessories, see page 120

Frequency	Hz	300
Voltage/type of current	V(3~)	200
Input	W	3 100
Output	W	2 410
Speed, no load	rpm	10 200
Cable	m	5
Weight according to EPTA	kg	8,9
Flange		M 16
Grinding wheel for max. Ø x width	mm	150 x 32
Part number		7 824 38 00 26 0
EAN		4014586858111

FEIN benefits:

- ▶ Ideal power/weight ratio and excellent efficiency.
- ▶ Powerful for high grinding capacity.
- ▶ Extremely quiet running.
- ▶ Metal motor and gearbox housing for maximum load capacity in industrial continuous use.
- ▶ Fully encapsulated motor, 100% dust protection with surface cooling for maximum stability and service life even under extreme conditions of use.
- ▶ Low-wear and low-maintenance.
- ▶ Maximum reliability and outstanding service life.
- ▶ High effective output.
- ▶ Great speed consistency.

Price includes:

1 wheel guard, 1 set of keys, 1 pair of flanges

You will find other frequencies and voltages in the numerical section.

MShyo 852-3a 300 Hz 200 V

Powerful HF straight grinder for medium- to heavy-duty grinding work.



For accessories, see page 120

Frequency	Hz	300
Voltage/type of current	V(3~)	200
Input	W	1 900
Output	W	1 400
Speed, no load	rpm	10 200
Cable	m	5
Weight according to EPTA	kg	5,2
Flange		M 12
Grinding wheel for max. Ø x width	mm	125 x 32/28
Part number		7 824 39 00 26 0
EAN		4014586857657

FEIN benefits:

- ▶ Powerful for high grinding capacity.
- ▶ Extremely quiet running.
- ▶ Metal motor and gearbox housing for maximum load capacity in industrial continuous use.
- ▶ Fully encapsulated motor, 100% dust protection with surface cooling for maximum stability and service life even under extreme conditions of use.
- ▶ Low-wear and low-maintenance.
- ▶ Maximum reliability and outstanding service life.
- ▶ High effective output.
- ▶ Great speed consistency.

Price includes:

1 wheel guard, 1 set of keys, 1 pair of flanges

You will find other frequencies and voltages in the numerical section.

MShyo 852-4a 300 Hz 200 V

Powerful HF straight grinder for satin-finishing work.



For accessories, see page 120

Frequency	Hz	300
Voltage/type of current	V(3~)	200
Input	W	1 900
Output	W	1 400
Speed, no load	rpm	5 800
Cable	m	5
Weight according to EPTA	kg	5,7
Flange		M 12
Grinding wheel for max. Ø x width	mm	125 x 32/28
Part number		7 824 40 00 26 0
EAN		4014586858180

FEIN benefits:

- ▶ Powerful for high grinding capacity.
- ▶ Extremely quiet running.
- ▶ Metal motor and gearbox housing for maximum load capacity in industrial continuous use.
- ▶ Fully encapsulated motor, 100% dust protection with surface cooling for maximum stability and service life even under extreme conditions of use.
- ▶ Low-wear and low-maintenance.
- ▶ Maximum reliability and outstanding service life.
- ▶ High effective output.
- ▶ Great speed consistency.

Price includes:

1 wheel guard, 1 set of keys, 1 pair of flanges

You will find other frequencies and voltages in the numerical section.

MSho 852-1 300 Hz 200 V

Powerful HF straight grinder for medium-duty to heavy-duty high-speed grinding work.



For accessories, see page 120

Frequency	Hz	300
Voltage/type of current	V(3~)	200
Input	W	1 900
Output	W	1 400
Speed, no load	rpm	18 000
Cable	m	5
Weight according to EPTA	kg	5,2
Flange		M 12
Grinding wheel for max. Ø x width	mm	85 x 32/26
Part number		7 824 42 00 26 0
EAN		4014586858241

FEIN benefits:

- ▶ Ideal power/weight ratio and excellent efficiency.
- ▶ Extremely quiet running.
- ▶ Metal motor and gearbox housing for maximum load capacity in industrial continuous use.
- ▶ Fully encapsulated motor, 100% dust protection with surface cooling for maximum stability and service life even under extreme conditions of use.
- ▶ Low-wear and low-maintenance.
- ▶ Maximum reliability and outstanding service life.
- ▶ High effective output.
- ▶ Great speed consistency.

Price includes:

1 wheel guard, 1 set of keys, 1 pair of flanges

You will find other frequencies and voltages in the numerical section.

MSfo 849-1c 300 Hz 200 V



For accessories, see page 120

Powerful HF angle grinder for medium-duty grinding work.

Frequency	Hz	300
Voltage/type of current	V(3~)	200
Input	W	1 500
Output	W	1 075
Speed, no load	rpm	6 150
Cable	m	5
Weight according to EPTA	kg	5,1
Flange		M 14
Grinding disc Ø	mm	180
Elast. Backing pad Ø	mm	180
Part number		7 820 80 00 26 0
EAN		4014586857145

FEIN benefits:

- ▶ Metal motor and gearbox housing for maximum load capacity in industrial continuous use.
- ▶ Fully encapsulated motor, 100% dust protection with surface cooling for maximum stability and service life even under extreme conditions of use.
- ▶ Low-wear and low-maintenance.
- ▶ Maximum reliability and outstanding service life.
- ▶ High effective output.
- ▶ Great speed consistency.

Price includes:

1 wheel guard, 1 pair of flanges, 1 set of keys, 1 anti-vibration handle

You will find other frequencies and voltages in the numerical section.



	MO83-7.5 KSR 50400 300 Hz 200 V	MO83-11 KSR 50400 300 Hz 200 V	MO83-15 KSR 50400 300 Hz 200 V	MO83-30 KSR 50400 300 Hz 200 V	MO83-45 KSR 50400 300 Hz 200 V	MO83-20 KSR 50400 300 Hz 200 V	MO83-25 KSR 50400 300 Hz 200 V
Page	118	118	118	118	119	119	119
Technical features	Primary voltage (V)	200	200	200	200	200	200
	Output power (W)	7,5	11	15	30	45	25
	Motor power (W)	8	11,6	15	28	41	24
	Motor current (400 V) (A)	16	21,4	26,6	49,4	75,1	34,2
	Power consumption (W)	11,1	14,9	18,5	34,4	52,1	23,8
	Idling power (W)	1,1	1,4	2,4	3,7	5,4	2,8
	Weight (kg)	75	110	164	240	360	176

Grinding

MO83-7.5 KSR 50400 300 Hz 200 V



For accessories, see page 120

Primary voltage	V	200
Output power	W	7,5
Motor power	W	8
Motor current (400 V)	A	16
Power consumption	W	11,1
Idling power	W	1,1
Weight	kg	75
Length x height	mm	794 x 360
Part number	9 28 19 340 26 4	
EAN	4014586845494	

You will find other frequencies and voltages in the numerical section.

MO83-11 KSR 50400 300 Hz 200 V



For accessories, see page 120

Primary voltage	V	200
Output power	W	11
Motor power	W	11,6
Motor current (400 V)	A	21,4
Power consumption	W	14,9
Idling power	W	1,4
Weight	kg	110
Length x height	mm	844 x 360
Part number	9 28 21 340 26 0	
EAN	4014586845593	

You will find other frequencies and voltages in the numerical section.

MO83-15 KSR 50400 300 Hz 200 V



For accessories, see page 120

Primary voltage	V	200
Output power	W	15
Motor power	W	15
Motor current (400 V)	A	26,6
Power consumption	W	18,5
Idling power	W	2,4
Weight	kg	164
Length x height	mm	1 058 x 416
Part number	9 28 22 340 26 4	
EAN	4014586845661	

You will find other frequencies and voltages in the numerical section.

MO83-30 KSR 50400 300 Hz 200 V



For accessories, see page 120

Primary voltage	V	200
Output power	W	30
Motor power	W	28
Motor current (400 V)	A	49,4
Power consumption	W	34,4
Idling power	W	3,7
Weight	kg	240
Length x height	mm	1 058 x 416
Part number	9 28 24 340 26 2	
EAN	4014586845715	

You will find other frequencies and voltages in the numerical section.



MO83-45 KSR 50400 300 Hz 200 V



For accessories, see page 120

Primary voltage	V	200
Output power	W	45
Motor power	W	41
Motor current (400 V)	A	75,1
Power consumption	W	52,1
Idling power	W	5,4
Weight	kg	360
Length x height	mm	1 252 x 463
Part number	9 28 26 340 26 8	
EAN	4014586845746	

You will find other frequencies and voltages in the numerical section.

MO83-20 KSR 50400 300 Hz 200 V



For accessories, see page 120

Primary voltage	V	200
Output power	W	20
Motor power	W	20
Motor current (400 V)	A	34,2
Power consumption	W	23,8
Idling power	W	2,8
Weight	kg	176
Length x height	mm	1 058 x 416
Part number	9 28 28 340 26 6	
EAN	4014586845791	

You will find other frequencies and voltages in the numerical section.

MO83-25 KSR 50400 300 Hz 200 V



For accessories, see page 120

Primary voltage	V	200
Output power	W	25
Motor power	W	24
Motor current (400 V)	A	44,2
Power consumption	W	30,7
Idling power	W	3,3
Weight	kg	200
Length x height	mm	1 058 x 416
Part number	9 28 29 340 26 7	
EAN	4014586845852	

You will find other frequencies and voltages in the numerical section.

General accessories for HF tools



anti-vibration handle
M 8, vibration absorbing, to reduce the vibrations during longer jobs.

Part number
3 21 19 124 01 0



anti-vibration handle
M 10, vibration absorbing, to reduce the vibrations during longer jobs.

Part number
3 21 19 118 01 3



anti-vibration handle
M 14, vibration absorbing, to reduce the vibrations during longer jobs.

Part number
3 21 19 117 01 5



Male connector
over 50 V, 16 A, 100 - 300 Hz, 10 h, 3 P+E

Part number
3 07 28 123 00 7



Male connector
over 50 V, 32 A, 100 - 300 Hz, 10 h, 3 P+E

Part number
3 07 28 124 00 5



Sleeve plug
over 50 V, 16 A, 100 - 300 Hz, 10 h, 3 P+E

Part number
3 07 28 130 00 0



Sleeve plug
over 50 V, 32 A, 100 - 300 Hz, 10 h, 3 P+E

Part number
3 07 28 131 00 9



Motor protection plug
FEIN's motor safety plugs provide reliable overload protection for high-frequency power tools. A bimetallic actuator, which is individually set to the corresponding rated current of the connected high-frequency tool, prevents premature or late activation in the event of brief overloading. The motor safety plug is fitted on the high-frequency power tool's connector cable instead of the normal male connector. The motor safety plug consists of a CEE plug, thermal actuators with temperature compensation and a rotary activation toggle. suited to the 840 series, setting range 1.6 - 2.5 A

Model	Part number
16 A	3 07 56 085 00 2
32 A	3 07 56 093 00 9



Motor protection plug
FEIN's motor safety plugs provide reliable overload protection for high-frequency power tools. A bimetallic actuator, which is individually set to the corresponding rated current of the connected high-frequency tool, prevents premature or late activation in the event of brief overloading. The motor safety plug is fitted on the high-frequency power tool's connector cable instead of the normal male connector. The motor safety plug consists of a CEE plug, thermal actuators with temperature compensation and a rotary activation toggle. suited to the HF 9, 843, 849 series, setting range 4 - 6.3 A

Model	Part number
16 A	3 07 56 087 00 9
32 A	3 07 56 095 00 1



Motor protection plug
FEIN's motor safety plugs provide reliable overload protection for high-frequency power tools. A bimetallic actuator, which is individually set to the corresponding rated current of the connected high-frequency tool, prevents premature or late activation in the event of brief overloading. The motor safety plug is fitted on the high-frequency power tool's connector cable instead of the normal male connector. The motor safety plug consists of a CEE plug, thermal actuators with temperature compensation and a rotary activation toggle. suited to the 852 series, setting range 6.3 - 9 A

Model	Part number
16 A	3 07 56 088 00 7
32 A	3 07 56 096 00 4



Motor protection plug
FEIN's motor safety plugs provide reliable overload protection for high-frequency power tools. A bimetallic actuator, which is individually set to the corresponding rated current of the connected high-frequency tool, prevents premature or late activation in the event of brief overloading. The motor safety plug is fitted on the high-frequency power tool's connector cable instead of the normal male connector. The motor safety plug consists of a CEE plug, thermal actuators with temperature compensation and a rotary activation toggle. suited to the 869 series, setting range 9 - 12.5 A

Model	Part number
16 A	3 07 56 089 00 1
32 A	3 07 56 097 00 8



Motor protection plug
FEIN's motor safety plugs provide reliable overload protection for high-frequency power tools. A bimetallic actuator, which is individually set to the corresponding rated current of the connected high-frequency tool, prevents premature or late activation in the event of brief overloading. The motor safety plug is fitted on the high-frequency power tool's connector cable instead of the normal male connector. The motor safety plug consists of a CEE plug, thermal actuators with temperature compensation and a rotary activation toggle. suited to the 870 series, setting range 12.5 - 16 A

Model	Part number
16 A	3 07 56 090 00 3
32 A	3 07 56 098 00 6



General accessories for frequency converters



Assembly socket
over 50 V, 16 A, 100 - 300 Hz, 10 h, 3 P+E

Part number
3 07 28 141 00 8



Wall socket
over 50 V, 16 A, 100 - 300 Hz, 10 h, 3 P+E

Part number
3 07 28 137 00 5

Wall socket
over 50 V, 32 A, 100 - 300 Hz, 10 h, 3 P+E

Part number
3 07 28 138 00 3

Device combination



Device combination
for MO 83 - 7.5 KSR

Part number
3 07 49 065 00 9



Device combination
for MO 83 - 11 KSR

Part number
3 07 49 073 00 6



Device combination
for MO 83 - 15 KSR

Part number
3 07 49 067 00 6



Device combination
for MO 83 - 20 KSR

Part number
3 07 49 068 00 4



Device combination
for MO 83 - 25 KSR / MO 83 - 30 KSR

Part number
3 07 49 069 00 8

Accessories for MO 83 - 25 KSR, MO 83 - 30 KSR, MO 83 - 45 KSR

Device combination
for MO 83 - 45 KSR

Part number
3 07 49 070 00 0

Anti vibration mounts
4 items required for each frequency converter.

Part number
3 14 15 020 00 8

Accessories for MO 83 - 20 KSR, MO 83 - 7.5 KSR, MO 83 - 11 KSR, MO 83 - 15 KSR

Anti vibration mounts
4 items required for each frequency converter.

Part number
3 14 15 081 00 1

Grinding



There are many different kinds of metal and our tools can tell the difference.

Corrugated and trapezoid sheet metals, steel plates and profiles all have special requirements. FEIN knows that it's all in the sheet metal working - and that's been the case since 1927. From this long-standing experience, a range of products has been born, which is unsurpassed in its diversity and professionalism. Compact nibblers, the most versatile of tools has unrivalled curve-cutting precision. Metal shears that combine speed, robustness and reliability. Lastly, throatless shears, which are ideal for cutting where swarf loss is to be avoided. No matter what their speciality, all the FEIN metalworking tools have one thing in common: They are perfectly designed for all tasks to be undertaken during the working day.



Slitting shears

Page 124

Clean, distortion-free cutting of sheet metals, profiles and pipes - with just one continuous cut.



Sheet metal shears

Page 127

The right choice for everyone who values the highest cutting performance in sheet metal and stainless steel.



Nibblers

Page 130

Extremely versatile and curve-compatible, particularly suited for trapezoid sheet metals, corrugated sheet metals, profiles and curved single rolled sheets.



		BSS 1.6 E	BSS 1.6 CE	BSS 2.0 E
		Easy-to-use and curve-compatible slitting shears for distortion-free cutting.	Easy-to-use and curve-compatible slitting shears with integrated chip clipper.	Powerful slitting shears for stainless steel processing, spiral seam pipes and profiles.
Page		125	125	125
Application	Cuts	▲▲	▲▲	▲▲
	Curve cuts	▲	▲	
	Cut-outs	▲▲	▲▲	
Equipment	FEIN high-power motor	●	●	
	Chip clipper		●	
	QuickIN	●		
Technical features	Input (W)	350	350	350
	Strokes (rpm)	2 100-4 500	2 100-4 500	1 300-2 600
	Cutting speed (m/min)	6 - 10	6 - 10	2 - 4
	Weight according to EPTA (kg)	1,5	1,5	1,7
	Steel up to 400 N/mm ² (mm)	1,6	1,6	2,0
	Steel up to 600 N/mm ² (mm)	1,2	1,2	1,5
	Steel up to 800 N/mm ² (mm)	1,0	1,0	1,3
	Non-ferrous metals up to 250 N/mm ² (mm)	2,0	2,0	3,0
	Cutting width (mm)	5,0	5,0	5,0
	Rad. of smallest curve (mm)	90 (30)	90 (30)	245
Material	Immersion Ø (mm)	15 (8)	15 (8)	12
	Profile	▲	▲	▲
	Folded spiral-seam pipes	▲	▲	▲▲
	Single rolled sheets	▲▲	▲▲	▲▲
	Single rolled sheets - slightly corrugated	▲▲	▲▲	▲▲

▲ suitability ▲▲ optimal suitability ● included

**BSS 1.6 E**

Easy-to-use and curve-compatible slitting shears for distortion-free cutting.



For accessories, see page 126
For cordless variant of tool,
see page 47

Input	W	350
Output	W	210
Strokes	rpm	2 100-4 500
Cutting speed	m/min	6 - 10
Cable with plug	m	5
Weight according to EPTA	kg	1,5
Max. cutting capacity		
Steel up to 400 N/mm ²	mm	1,6
Steel up to 600 N/mm ²	mm	1,2
Steel up to 800 N/mm ²	mm	1,0
Non-ferrous metals up to 250 N/mm ²	mm	2,0
Cutting width	mm	5,0
Rad. of smallest curve	mm	90 (30) ¹
Immersion Ø	mm	15 (8) ¹
Part number		7 230 31 61 00 0
EAN		4014586874661

FEIN benefits:

- ▶ Rapid work progress due to excellent view of the cutting line through the open-fronted cutting head.
- ▶ Left and right curve cuts and distortion-free cutting possible with just one continuous chip.
- ▶ QuickIN for rapid toolfree blade changing, with no further adjustment required.
- ▶ Excellent ergonomics and low weight.
- ▶ Motor with outstanding performance and stability.
- ▶ Cutting blade with excellent tool life.
- ▶ 5 metre cable.
- ▶ Clean swarf removal prevents injuries or scratches on workpieces.
- ▶ Stainless steel up to 1.2 mm.
- ▶ Wide range of accessories.
- ▶ ¹ with blade for curves

Price includes:

1 Knife, straight, up to 1.6 mm, 1 pair of cutting bars, 1 key

BSS 1.6 CE

Easy-to-use and curve-compatible slitting shears with integrated chip clipper.



For accessories, see page 126
For cordless variant of tool,
see page 47

Input	W	350
Output	W	210
Strokes	rpm	2 100-4 500
Cutting speed	m/min	6 - 10
Cable with plug	m	5
Weight according to EPTA	kg	1,5
Max. cutting capacity		
Steel up to 400 N/mm ²	mm	1,6
Steel up to 600 N/mm ²	mm	1,2
Steel up to 800 N/mm ²	mm	1,0
Non-ferrous metals up to 250 N/mm ²	mm	2,0
Cutting width	mm	5,0
Rad. of smallest curve	mm	90 (30) ¹
Immersion Ø	mm	15 (8) ¹
Part number		7 230 32 61 00 0
EAN		4014586874739

FEIN benefits:

- ▶ Chip clipper for clipping off the cut chip at any point.
- ▶ Left and right curve cuts and distortion-free cutting possible with just one continuous chip.
- ▶ Rapid work progress due to excellent view of the cutting line through the open-fronted cutting head.
- ▶ Excellent ergonomics and low weight.
- ▶ Motor with outstanding performance and stability.
- ▶ Cutting blade with excellent tool life.
- ▶ 5 metre cable.
- ▶ Clean swarf removal prevents injuries or scratches on workpieces.
- ▶ Stainless steel up to 1.2 mm.
- ▶ Wide range of accessories.
- ▶ ¹ with blade for curves

Price includes:

1 Knife, straight, up to 1.6 mm, 1 pair of cutting bars, 1 key

BSS 2.0 E

Powerful slitting shears for stainless steel processing, spiral seam pipes and profiles.



For accessories, see page 126
For cordless variant of tool,
see page 47

Input	W	350
Output	W	210
Strokes	rpm	1 300-2 600
Cutting speed	m/min	2 - 4
Cable with plug	m	5
Weight according to EPTA	kg	1,7
Max. cutting capacity		
Steel up to 400 N/mm ²	mm	2,0
Steel up to 600 N/mm ²	mm	1,5
Steel up to 800 N/mm ²	mm	1,3
Non-ferrous metals up to 250 N/mm ²	mm	3,0
Cutting width	mm	5,0
Rad. of smallest curve	mm	245
Immersion Ø	mm	12
Part number		7 230 33 61 00 0
EAN		4014586874807

FEIN benefits:

- ▶ High-strength blades make it ideal for reinforcement profiles in drywall construction and cutting stainless steel.
- ▶ Robust cutting head for stationary application. Machine can be very easily clamped in a vice.
- ▶ Left and right curve cuts and distortion-free cutting possible with just one continuous chip.
- ▶ High performance and powerful motor when it comes to the most difficult tasks. Suitable for folded spiral-seam pipes with 4 x 0.75 mm connecting folds
- ▶ Ideal for trimming profiled sections.
- ▶ Best suited for trimming and cutting.
- ▶ Motor with outstanding performance and stability.
- ▶ Cutting blade with excellent tool life.
- ▶ 5 metre cable.
- ▶ Clean swarf removal prevents injuries or scratches on workpieces.
- ▶ Stainless steel up to 1.5 mm.
- ▶ Wide range of accessories.

Price includes:

1 cutter blade, 1 pair of cutting bars

General accessories



Tool case
Plastic, inner dimensions: 470 x 275 x 116 mm

Part number
3 39 01 118 01 0



Plastic box
Box insert with lockable lid for small parts and accessories, suitable for tool box 3 39 01 118 01 0, max 5 items/box.

Part number
3 39 01 119 00 0



Cutting paste
Lubricating agents for working on sheet metals.

Part number
3 21 32 020 12 9

Accessories for BSS 1.6 E, BSS 1.6 CE

Cutting blade
for steel sheet up to 400 N/mm²

Plate thickness mm	Part number
1,6	3 13 08 150 00 9

Cutting blade
for stainless steel up to 800 N/mm²

Plate thickness mm	Part number
0,8	3 13 08 152 00 1

Blade for curves
for steel sheet up to 400 N/mm²

Plate thickness mm	Part number
1,0	3 13 08 151 00 8

Accessories for BSS 1.6 CE

Cutting bars
1 pair

Part number
3 13 08 153 02 0

Accessories for BSS 1.6 E

Cutting bars
1 pair

Part number
3 13 08 153 01 4

Accessories for BSS 2.0 E



Cutting blade
for steel sheet up to 400 N/mm²

Plate thickness mm	Part number
2,0	3 13 08 110 00 3

Cutting blade
for stainless steel up to 800 N/mm²

Plate thickness mm	Part number
1,3	3 13 08 123 00 8



Cutting bars
Pack of 2

Part number
3 13 08 113 00 9

Blade pin

Part number
3 13 08 111 00 2



	BLS 3.5	BLS 4.2	BLS 1.6 E	BLS 2.5 E
	Universal sheet metal shears with tool-free setting of material thickness.	Powerful sheet metal shears for cutting, separating and trimming sheet metal constructions.	Easy-to-use, curve-compatible sheet metal shears for cutting and trimming thin sheets.	Easy-to-use, curve-compatible sheet metal shears for working with stainless steel.
Page	128	128	128	129
Application	Cuts	▲▲	▲▲	▲▲
	Curve cuts	▲	▲	▲
Equipment	FEIN high-power motor	●	●	●
	Reversing blade	2 x	2 x	4 x
	Chip suppressor	●	●	
Technical features	Input (W)	1 200	1 200	350
	Strokes (rpm)	1 500	750	2 300-4 800
	Cutting speed (m/min)	4 - 5	4 - 5	8-12
	Weight according to EPTA (kg)	5,4	5,2	1,7
	Steel up to 400 N/mm ² (mm)	3,5	4,2	1,6
	Steel up to 600 N/mm ² (mm)	3,0	3,0	1,2
	Steel up to 800 N/mm ² (mm)	2,0	2,0	1,0
	Non-ferrous metals up to 250 N/mm ² (mm)	4,0	5,0	2,0
Rad. of smallest curve (mm)	30	25	15	
Material	Single rolled sheets	▲▲	▲▲	▲▲
	Single rolled sheets - slightly corrugated	▲▲	▲▲	▲▲

▲ suitability ▲▲ optimal suitability ● included

Sheet metal working

BLS 3.5

Universal sheet metal shears with tool-free setting of material thickness.



For accessories, see page 129
For cordless variant of tool, see page 48

Input	W	1 200
Output	W	750
Strokes	rpm	1 500
Cutting speed	m/min	4 - 5
Cable with plug	m	5
Weight according to EPTA	kg	5,4
Max. cutting capacity		
Steel up to 400 N/mm ²	mm	3,5
Steel up to 600 N/mm ²	mm	3,0
Steel up to 800 N/mm ²	mm	2,0
Non-ferrous metals up to 250 N/mm ²	mm	4,0
Rad. of smallest curve	mm	30

Part number	7 230 23 00 23 8
EAN	4014586848624

FEIN benefits:

- ▶ Tool-free height adjustment of the plunger blade for adapting to various material thicknesses.
- ▶ Excellent work progress for rapid completion of large and long surfaces.
- ▶ Patented swarf suppresser for optimum and safe swarf removal.
- ▶ Perfect for the trimming of sheet metal constructions.
- ▶ Excellent power-to-weight ratio.
- ▶ Unrestricted view of the cutting line.
- ▶ Motor with outstanding performance and stability.
- ▶ Two-fold reversing blade.
- ▶ 5 metre cable.
- ▶ Stainless steel up to 2.0 mm.
- ▶ Wide range of accessories.

Price includes:

1 pair of blades, 1 hand guard, 1 additional handle, 1 set of wrenches

BLS 4.2

Powerful sheet metal shears for cutting, separating and trimming sheet metal constructions.



For accessories, see page 129
For cordless variant of tool, see page 48

Input	W	1 200
Output	W	750
Strokes	rpm	750
Cutting speed	m/min	4 - 5
Cable with plug	m	5
Weight according to EPTA	kg	5,2
Max. cutting capacity		
Steel up to 400 N/mm ²	mm	4,2
Steel up to 600 N/mm ²	mm	3,0
Steel up to 800 N/mm ²	mm	2,0
Non-ferrous metals up to 250 N/mm ²	mm	5,0
Rad. of smallest curve	mm	25

Part number	7 230 24 00 23 4
EAN	4014586848631

FEIN benefits:

- ▶ High performance and powerful motor for the most difficult tasks.
- ▶ Excellent work progress for rapid completion of large and long surfaces.
- ▶ Patented swarf suppresser for optimum and safe swarf removal.
- ▶ Perfect for the trimming of sheet metal constructions.
- ▶ Excellent power-to-weight ratio.
- ▶ Unrestricted view of the cutting line.
- ▶ Two-fold reversing blade.
- ▶ 5 metre cable.
- ▶ Stainless steel up to 2.0 mm.
- ▶ Wide range of accessories.

Price includes:

1 pair of blades, 1 hand guard, 1 additional handle, 1 gauge, 3 wrenches

BLS 1.6 E

Easy-to-use, curve-compatible sheet metal shears for cutting and trimming thin sheets.



For accessories, see page 129
For cordless variant of tool, see page 48

Input	W	350
Output	W	210
Strokes	rpm	2 300-4 800
Cutting speed	m/min	8-12
Cable with plug	m	5
Weight according to EPTA	kg	1,7
Max. cutting capacity		
Steel up to 400 N/mm ²	mm	1,6
Steel up to 600 N/mm ²	mm	1,2
Steel up to 800 N/mm ²	mm	1,0
Non-ferrous metals up to 250 N/mm ²	mm	2,0
Rad. of smallest curve	mm	15

Part number	7 230 34 61 00 0
EAN	4014586874876

FEIN benefits:

- ▶ Outstanding ergonomics through compact and simple construction for optimal mobility of the shears.
- ▶ Good curve precision with low sheet-metal distortion.
- ▶ Four-fold reversing blade for clean and burr-free cutting with low operating costs.
- ▶ Perfect for trimming and cutting.
- ▶ Unrestricted view of the cutting line.
- ▶ Motor with outstanding performance and stability.
- ▶ 5 metre cable.
- ▶ Stainless steel up to 1.0 mm.

Price includes:

1 pair of blades, 1 set of wrenches, 1 hand guard

BLS 2.5 E

Easy-to-use, curve-compatible sheet metal shears for working with stainless steel.



For accessories, see page 129
For cordless variant of tool, see page 48

Input	W	350
Output	W	210
Strokes	rpm	800-1 700
Cutting speed	m/min	3 - 6
Cable with plug	m	5
Weight according to EPTA	kg	2,1
Max. cutting capacity		
Steel up to 400 N/mm ²	mm	2,5
Steel up to 600 N/mm ²	mm	2,0
Steel up to 800 N/mm ²	mm	1,6
Non-ferrous metals up to 250 N/mm ²	mm	3,0
Rad. of smallest curve	mm	20
Part number	7 230 35 61 00 0	
EAN	4014586874944	

FEIN benefits:

- ▶ High performance and powerful motor for the most difficult tasks.
- ▶ Unrestricted view of the cutting line makes faster work progress possible.
- ▶ Four-fold reversing blade for clean and burr-free cutting with low operating costs.
- ▶ Perfect for trimming and cutting.
- ▶ Unrestricted view of the cutting line.
- ▶ Good curve precision with low sheet-metal distortion.
- ▶ 5 metre cable.
- ▶ Stainless steel up to 1.6 mm.

Price includes:

1 pair of blades, 1 set of wrenches, 1 hand guard

Sheet metal shears

General accessories



Tool case
Plastic, inner dimensions: 470 x 275 x 116 mm

Part number
3 39 01 118 01 0



Plastic box
Box insert with lockable lid for small parts and accessories, suitable for tool box 3 39 01 118 01 0, max 5 items/box.

Part number
3 39 01 119 00 0



Cutting paste
Lubricating agents for working on sheet metals.

Part number
3 21 32 020 12 9

Accessories for BLS 1.6 E



Plunger blade and fixed blade
for steel sheet up to 800 N/mm²

Part number
3 13 08 072 00 0

Accessories for BLS 2.5 E

Plunger blade and fixed blade
for steel sheet up to 800 N/mm²

Plate thickness mm	Part number
1,6	6 36 01 101 00 9

Accessories for BLS 3.5

Fixed blade
for steel sheet up to 400 N/mm²

Plate thickness mm	Part number
3,5	3 13 08 136 00 2

Fixed blade
for stainless steel up to 800 N/mm²

Plate thickness mm	Part number
2,0	3 13 08 143 00 6

Plunger blade
for steel sheet up to 400 N/mm²

Plate thickness mm	Part number
3,5	3 13 08 146 00 1

Plunger blade
for stainless steel up to 800 N/mm²

Plate thickness mm	Part number
2,0	3 13 08 147 00 5

Accessories for BLS 4.2

Fixed blade

Part number
3 13 08 092 00 8

Plunger blade
for steel sheet up to 400 N/mm²

Plate thickness mm	Part number
4,2	3 13 08 096 00 7

Plunger blade
for stainless steel up to 800 N/mm²

Plate thickness mm	Part number
2,0	3 13 08 098 00 9



	BLK 3.5	BLK 5.0	BLK 1.6 E	BLK 1.6 LE	BLK 2.0 E	BLK 1.3 TE	BLK 1.3 CSE
	Powerful nibbler with unlimited curve-compatibility for grooves and cut-outs.	Powerful nibbler for heavy dismantling and cutting applications.	Universal nibbler for sheets, profiles, trapezoid and corrugated sheet metals.	Compact nibbler for deep-channel trapezoidal sheet metals in roof and façade construction.	Compact nibbler with unlimited curve precision for corners and edges.	Compact and rapid nibbler for trapezoid sheet metals.	Compact and rapid nibbler for corrugated sheet metals.
Page	131	131	131	132	132	133	133
Application	Curve cuts	▲▲	▲	▲▲	▲▲	▲▲	▲▲
	Cut-outs	▲		▲	▲	▲▲	▲
Equipment	QuickIN	●		●	●	●	●
	Cutting direction	3 x 90°	3 x 90°	8 x 45°	8 x 45°	8 x 45°	8 x 45°
	Rotating round punch			●	●		●
Technical features	Input (W)	1 200	1 200	350	350	350	350
	Strokes (rpm)	750	750	1 500	1 500	1 000	1 800
	Cutting speed (m/min)	1,3	1,3	1,9	2,7	1	2,3
	Weight according to EPTA (kg)	3,5	3,8	1,8	1,9	1,8	1,8
	Steel up to 400 N/mm ² (mm)	3,5	5,0	1,6	1,6	2,0	1,3
	Steel up to 600 N/mm ² (mm)	2,3	3,3	1,0	1,0	1,5	0,8
	Steel up to 800 N/mm ² (mm)	1,8	2,5	0,7	0,7	1,0	0,6
	Non-ferrous metals up to 250 N/mm ² (mm)	3,5	7	2,5	2,5	2,5	2,0
	Plastics (mm)		5			2,5	
	Cutting width (mm)	14	8	5	5	8	4
Material	Immersion Ø with die (mm)	30	43	22	24	18	19
	Rad. of smallest curve (inside/outside) (mm)	7/0	86/94	30/35	65/70	4/0	25/30
	Trapezoid sheet metal up to 85 mm deep channels			▲	▲▲		▲▲
	Corrugated sheet metal	▲	▲	▲	▲▲	▲	▲▲
	Profile		▲		▲		▲
	Single rolled sheets	▲▲	▲▲	▲	▲▲	▲▲	▲▲
	Single rolled sheets - slightly corrugated	▲▲	▲▲	▲	▲▲	▲▲	▲▲
Trapezoid sheet metal up to 160 mm deep channels			▲▲				

▲ suitability

▲▲ optimal suitability

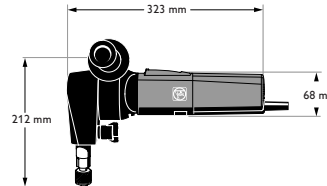
● included



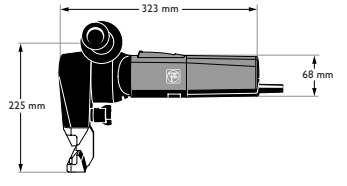
BLK 1.3



BLK 1.6



BLK 3.5



BLK 5.0

**BLK 3.5**

Powerful nibbler with unlimited curve-compatibility for grooves and cut-outs.



For accessories, see page 134
For cordless variant of tool,
see page 49

Input	W	1 200
Output	W	750
Strokes	rpm	750
Cutting speed	m/min	1,3
Cable with plug	m	5
Weight according to EPTA	kg	3,5
Max. cutting capacity		
Steel up to 400 N/mm ²	mm	3,5
Steel up to 600 N/mm ²	mm	2,3
Steel up to 800 N/mm ²	mm	1,8
Non-ferrous metals up to 250 N/mm ²	mm	3,5
Immersion Ø with die	mm	30
Cutting width	mm	14
Rad. of smallest curve (inside/outside)	mm	7/0
Part number		7 232 30 00 23 0
EAN		4014586848655

FEIN benefits:

- ▶ Ideally suited for grooves and cut-outs in sheet metals, tool can turn on the spot.
- ▶ Cutting direction can be adjusted in 90° steps without the need for tools.
- ▶ QuickIN clamping system for quick, tool-free punch and die changes.
- ▶ Optimum power-to-weight ratio.
- ▶ Long tool life, punches can be reground.
- ▶ Motor with outstanding performance and stability.
- ▶ Warp-free cutting of flat and bent sheet metal.
- ▶ Optimally suited for template cuts.
- ▶ Chip protection mesh on vent slots.
- ▶ Handle can be rotated 180°.
- ▶ 5 metre cable.
- ▶ Stainless steel up to 1.8 mm.
- ▶ Wide range of accessories.

Price includes:

- 1 cutting head, 1 die (3 13 09 093 00 3),
- 1 punch (3 13 09 097 00 2), 1 additional handle

BLK 5.0

Powerful nibbler for heavy dismantling and cutting applications.



For accessories, see page 134
For cordless variant of tool,
see page 49

Input	W	1 200
Output	W	750
Cutting speed	m/min	1,3
Strokes	rpm	750
Cable with plug	m	5
Weight according to EPTA	kg	3,8
Max. cutting capacity		
Steel up to 400 N/mm ²	mm	5,0
Steel up to 600 N/mm ²	mm	3,3
Steel up to 800 N/mm ²	mm	2,5
Non-ferrous metals up to 250 N/mm ²	mm	7
Plastics	mm	5
Immersion Ø with die	mm	43
Cutting width	mm	8
Rad. of smallest curve (inside/outside)	mm	86/94
Part number		7 232 31 00 23 9
EAN		4014586848662

FEIN benefits:

- ▶ Powerful 1,200 watt motor for outstanding performance while maintaining excellent ergonomics.
- ▶ Cuts over 90° edges, for example on guard rails or tanks.
- ▶ Cutting direction can be adjusted in 90° steps without the need for tools.
- ▶ Optimum power-to-weight ratio.
- ▶ Long tool life of punch and die.
- ▶ Chip protection mesh on vent slots.
- ▶ Handle can be rotated 180°.
- ▶ 5 metre cable.
- ▶ Stainless steel up to 2.5 mm.
- ▶ Wide range of accessories.

Price includes:

- 1 cutting head, 1 die (3 13 09 107 00 0),
- 1 punch (3 13 09 110 00 4), 1 additional handle

BLK 1.6 E

Universal nibbler for sheets, profiles, trapezoid and corrugated sheet metals.



For accessories, see page 134
For cordless variant of tool,
see page 49

Input	W	350
Output	W	210
Strokes	rpm	1 500
Cutting speed	m/min	1,9
Cable with plug	m	5
Weight according to EPTA	kg	1,8
Max. cutting capacity		
Steel up to 400 N/mm ²	mm	1,6
Steel up to 600 N/mm ²	mm	1,0
Steel up to 800 N/mm ²	mm	0,7
Non-ferrous metals up to 250 N/mm ²	mm	2,5
Immersion Ø with die	mm	22
Cutting width	mm	5
Rad. of smallest curve (inside/outside)	mm	30/35
Part number		7 232 38 60 00 0
EAN		4014586869858

FEIN benefits:

- ▶ Almost indestructible. Ideal for flexible and universal use with sheet thickness up to 1.6 mm..
- ▶ Optimum ergonomics with a handle up to 20% slimmer because of its extremely thin drive head.
- ▶ Cutting direction setting can be changed in 45° steps up to 360° using tool-free pivoting cutting head.
- ▶ QuickIN clamping system.
- ▶ High cutting speed.
- ▶ Rotating punch for a service life which is now up to 30% longer.
- ▶ Low operating costs due to long tool life of punch and die.
- ▶ Motor with outstanding performance and stability.
- ▶ Chip protection mesh on vent slots.
- ▶ 5 metre cable.
- ▶ Stainless steel up to 0.7 mm.
- ▶ Retrofittable trapezoid profile set up to 160 mm deep channels.

Price includes:

- 1 die holder for sheet metal and corrugated sheet metal,
- 1 die (3 01 09 141 00 3), 1 punch (6 36 02 048 00 4)

BLK 1.6 LE

Compact nibbler for deep-channel trapezoidal sheet metals in roof and façade construction.



For accessories, see page 134
For cordless variant of tool, see page 49

Input	W	350
Output	W	210
Strokes	rpm	1 500
Cutting speed	m/min	2,7
Cable with plug	m	5
Weight according to EPTA	kg	1,9
Max. cutting capacity		
Steel up to 400 N/mm ²	mm	1,6
Steel up to 600 N/mm ²	mm	1,0
Steel up to 800 N/mm ²	mm	0,7
Non-ferrous metals up to 250 N/mm ²	mm	2,5
Immersion Ø with die	mm	24
Cutting width	mm	5
Rad. of smallest curve (inside/outside)	mm	65/70
Part number	7 232 39 60 00 0	
EAN	4014586869926	

FEIN benefits:

- ▶ The specialist when it comes to zero compromise work on trapezoidal sheet metals with deep channels of up to 160 mm.
- ▶ Optimum ergonomics with a handle up to 20% slimmer because of its extremely thin drive head.
- ▶ Cutting direction setting can be changed in 45° steps up to 360° using tool-free pivoting cutting head.
- ▶ QuickIN clamping system.
- ▶ High cutting speed.
- ▶ Motor with outstanding performance and stability.
- ▶ Chip protection mesh on vent slots.
- ▶ 5 metre cable.
- ▶ Stainless steel up to 0.7 mm.

Price includes:

1 cutting head, 1 die for trapezoidal sheet metal (3 13 09 122 00 5), 1 punch (6 36 02 049 00 8), 1 wearing plate

BLK 2.0 E

Compact nibbler with unlimited curve precision for corners and edges.



For accessories, see page 134
For cordless variant of tool, see page 49

Input	W	350
Output	W	210
Strokes	rpm	1 000
Cutting speed	m/min	1
Cable with plug	m	5
Weight according to EPTA	kg	1,8
Max. cutting capacity		
Steel up to 400 N/mm ²	mm	2,0
Steel up to 600 N/mm ²	mm	1,5
Steel up to 800 N/mm ²	mm	1,0
Non-ferrous metals up to 250 N/mm ²	mm	2,5
Plastics	mm	2,5
Immersion Ø with die	mm	18
Cutting width	mm	8
Rad. of smallest curve (inside/outside)	mm	4/0
Part number	7 232 40 60 00 0	
EAN	4014586869995	

FEIN benefits:

- ▶ High curve precision due to special cutting head geometry. Nibbler can turn on the spot.
- ▶ Especially well-suited for cutting edged sheet metals with a minimum bend radius of 3 mm.
- ▶ Cutting direction setting can be changed in 45° steps up to 360° using tool-free pivoting cutting head.
- ▶ QuickIN clamping system.
- ▶ Optimal ergonomics.
- ▶ Motor with outstanding performance and stability.
- ▶ Ideal for cut-outs.
- ▶ Optimally suited for template cuts.
- ▶ Chip protection mesh on vent slots.
- ▶ 5 metre cable.
- ▶ Stainless steel up to 1.0 mm.

Price includes:

1 cutting head, 1 die (3 13 09 040 00 2), 1 punch (6 36 02 051 00 9)

**BLK 1.3 TE**

Compact and rapid nibbler for trapezoid sheet metals.



For accessories, see page 134
For cordless variant of tool,
see page 49

Input	W	350
Output	W	210
Strokes	rpm	1 800
Cutting speed	m/min	2,3
Cable with plug	m	5
Weight according to EPTA	kg	1,8
Max. cutting capacity		
Steel up to 400 N/mm ²	mm	1,3
Steel up to 600 N/mm ²	mm	0,8
Steel up to 800 N/mm ²	mm	0,6
Non-ferrous metals up to 250 N/mm ²	mm	2,0
Cutting width	mm	4
Immersion Ø with die	mm	19
Rad. of smallest curve (inside/outside)	mm	25/30
Part number	7 232 41 60 00 0	
EAN	4014586870069	

FEIN benefits:

- ▶ 2.3 m/min cutting speed for excellent work progress.
- ▶ Optimum ergonomics with a handle up to 20% slimmer because of its extremely thin drive head.
- ▶ Cutting direction setting can be changed in 45° steps up to 360° using tool-free pivoting cutting head.
- ▶ QuickIN clamping system.
- ▶ Rotating punch for a service life which is now up to 30% longer.
- ▶ Low operating costs due to long tool life of punch and die.
- ▶ Motor with outstanding performance and stability.
- ▶ Chip protection mesh on vent slots.
- ▶ 5 metre cable.
- ▶ Brief overlapping area up to 2.6 mm.
- ▶ Stainless steel up to 0.6 mm.

Price includes:

1 punch (6 36 02 050 00 0), 1 die for trapezoidal sheet metal (3 01 09 170 00 1)

BLK 1.3 CSE

Compact and rapid nibbler for corrugated sheet metals.



For accessories, see page 134
For cordless variant of tool,
see page 49

Input	W	350
Output	W	210
Strokes	rpm	1 800
Cutting speed	m/min	2,3
Cable with plug	m	5
Weight according to EPTA	kg	1,8
Max. cutting capacity		
Steel up to 400 N/mm ²	mm	1,3
Steel up to 600 N/mm ²	mm	0,8
Steel up to 800 N/mm ²	mm	0,6
Non-ferrous metals up to 250 N/mm ²	mm	2,0
Cutting width	mm	4
Immersion Ø with die	mm	19
Rad. of smallest curve (inside/outside)	mm	15/20
Part number	7 232 42 60 00 0	
EAN	4014586870137	

FEIN benefits:

- ▶ 2.3 m/min cutting speed for excellent work progress.
- ▶ Optimum ergonomics with a handle up to 20% slimmer because of its extremely thin drive head.
- ▶ Cutting direction setting can be changed in 45° steps up to 360° using tool-free pivoting cutting head.
- ▶ QuickIN clamping system.
- ▶ Motor with outstanding performance and stability.

Price includes:

1 punch (6 36 02 050 00 0), 1 die for corrugated sheet metal (3 01 09 169 00 9)

General accessories



Tool case
Plastic, inner dimensions: 470 x 275 x 116 mm

Part number
3 39 01 118 01 0



Plastic box
Box insert with lockable lid for small parts and accessories, suitable for tool box 3 39 01 118 01 0, max 5 items/box.

Part number
3 39 01 119 00 0



Cutting paste
Lubricating agents for working on sheet metals.

Part number
3 21 32 020 12 9

Accessories for BLK 1.3 CSE

Die
for corrugated sheet metal

No. in pack pcs	Part number
1	3 01 09 169 00 9
2	3 01 09 169 04 0

Accessories for BLK 1.3 TE

Punches and dies in a set
consisting of 5 x punches 6 36 02 050 00 0
and 1 x die 3 01 09 170 00 1.

Part number
3 01 09 170 03 0

Accessories for BLK 2.0 E

Die
RSS 636

Part number
3 13 09 040 00 2



Punch

Part number
6 36 02 051 00 9



Punches and dies in a set
Consisting of: 1 die 6 36 02 051 00 9
and 1 punch 3 13 09 040 00 2

Part number
6 36 02 051 01 8

Accessories for BLK 1.6 LE

Punches and dies
in the set, for profile set 160, including wear plate, screws and key
Profile set 160

Part number
6 36 02 049 01 7



Punch

No. in pack pcs	Part number
1	6 36 02 049 00 8
2	6 36 02 049 04 0
5	6 36 02 049 05 0

Die

No. in pack pcs	Part number
1	3 13 09 122 00 5
2	3 13 09 122 02 0
5	3 13 09 122 03 0

Wearing plate
Profile set 160

Part number
3 13 09 121 00 2

Accessories for BLK 1.6 E



Punch

No. in pack pcs	Part number
1	6 36 02 048 00 4
5	6 36 02 048 04 0
10	6 36 02 048 05 0



Die

No. in pack pcs	Part number
1	3 01 09 141 00 3
2	3 01 09 141 02 0
5	3 01 09 141 03 0



Punches and dies
in set, each consisting of 1x punch 6 36 02 048 00 4
and 1x die 3 01 09 141 00 3.

Part number
6 36 02 048 01 3



Die holder
for trapezoidal sheet metal and corrugated sheet metal

Part number
3 01 09 154 00 7



Profile set 160
For deep-channel trapezoidal sheet metals (85-160 mm),
incl. 1 punch, die and wearing plate.

Part number
9 26 02 071 01 9



Accessories for BLK 5.0

Punches and dies in a set
up to 5.0 mm steel plate (400 N/mm²), consisting of:
1 punch 3 13 09 110 00 4 and 1 die 3 13 09 107 00 0

Part number
3 13 09 110 01 3

Punches and dies in a set
up to 3.0 mm stainless steel plate (600 N/mm²), consisting of:
1 punch 3 13 09 134 00 6 and 1 die 3 13 09 108 00 8

Part number
3 13 09 134 01 5



Chips bag

Part number
3 13 09 114 00 8

Punch
up to 7.0 mm aluminium steel plate (250 N/mm²)
up to 5.0 mm steel sheet (400 N/mm²)

Part number
3 13 09 110 00 4

Punch
up to 3.0 mm stainless steel plate (600 N/mm²)

Part number
3 13 09 134 00 6

Die
for steel sheet up to 5 mm thickness

Part number
3 13 09 107 00 0

Die
up to 3.0 mm stainless steel plate (600 N/mm²)

Part number
3 13 09 108 00 8

Die
up to 7.0 mm aluminium steel plate (250 N/mm²)
up to 5.0 mm steel sheet (400 N/mm²)

Part number
3 13 09 109 00 2

Accessories for BLK 3.5



Punch
for steel sheet up to 400 N/mm²

Part number
3 13 09 097 00 2



Punch
for stainless steel up to 800 N/mm²

Part number
3 13 09 098 00 0



Die
for steel sheet up to 400 N/mm²

Part number
3 13 09 093 00 3



Die
for stainless steel up to 800 N/mm²

Part number
3 13 09 094 00 1

Accessories for BLK 1.3 TE, BLK 1.3 CSE



Punch
for steel sheet up to 400 N/mm²

Plate thickness mm	No. in pack pcs	Part number
1,3	1	6 36 02 050 00 0
1,3	5	6 36 02 050 03 0
1,3	10	6 36 02 050 01 0

Die
for trapezoidal sheet metal

No. in pack pcs	Part number
1	3 01 09 170 00 1
2	3 01 09 170 04 0

Punches and dies in a set
consisting of 5 x punches 6 36 02 050 00 0
and 1 x die 3 01 09 169 00 9.

Part number
3 01 09 169 03 0



Tried and tested technology for perfect results: sawing and milling from FEIN.

High grade steel processing, building kitchens, metal processing and industry – FEIN jigsaws are designed perfectly for the high loads experienced when working with steel and stainless steel. As genuine specialist metal tools, FEIN jigsaws maintain a constant stroke and therefore constant cutting speed even under extreme load levels. The sturdy metal housing and resilient gears make these legendary endurance tools, often last decades. The FEIN range is supplemented by tools for pipe processing: jigsaws for pipes with a diameter of up to max. 440 mm, mainly for plant construction and community supply connections. FEIN also manufactures special pipe milling machines for pipes with a diameter of up to approx. 3,000 mm for plant and pipeline construction.



Jigsaws Page 138

Optimum cutting speed with minimal wear.

Pipe Saws Page 141

Optimum cutting speed with minimal wear.

Construction cutter Page 145

Remove old windows with no dust or damage to the wall.



	ASte 638	ASt 638	
	Metal jigsaws with continuously variable speed control and stainless steel base plate for unsurpassed precision, robustness and service life.	Metal jigsaws with unsurpassed precision, robustness and service life.	
Page	139	139	
Technical features	Input (W)	450	350
	Strokes (rpm)	1 050 - 2 600	3 350
	Stroke of blade (mm)	20	20
	Weight according to EPTA (kg)	2,3	2,2
	Max. cutting capacity		
	Stainless steel (V2A) (mm)	6	3
	Steel (St 37) (mm)	10	8
	Hard/soft wood and plywood (mm)	60/50	50/40
	Hard particle / fibre-glass materials (mm)	30/30	25/20
	Radius of smallest curve		
steel/woods and plastics (mm)	8/6	8/6	



ASte 638

Metal jigsaws with continuously variable speed control and stainless steel base plate for unsurpassed precision, robustness and service life.



For accessories, see page 140

Input	W	450
Output	W	245
Strokes	rpm	1 050 - 2 600
Stroke of blade	mm	20
Cable with plug	m	5
Weight according to EPTA	kg	2,3
Max. cutting capacity		
Stainless steel (V2A)	mm	6
Steel (St 37)	mm	10
alu, copper, brass	mm	15/10
Hard/soft wood and plywood	mm	60/50
Hard particle / fibre-glass materials	mm	30/30
Radius of smallest curve		
steel/woods and plastics	mm	8/6
Part number		7 234 15 00 23 0
EAN		4014586839332

FEIN benefits:

- ▶ Tool concept for optimum results in metals, stainless steel, insulation material (sandwich) and hardwood. With extremely robust 4 mm thick stainless steel base plate.
- ▶ Continuously variable, electronic speed setting for optimum cutting speed and saw blade service life
- ▶ Excellent ergonomics.
- ▶ Outstanding smooth running thanks to precisely balanced weight distribution.
- ▶ Swarf removal can be switched between extraction or blowing.

Price includes:

2 packs of saw blades, 1 anti-chipping protector, 1 Chip protection additional

ASt 638

Metal jigsaws with unsurpassed precision, robustness and service life.



For accessories, see page 140

Input	W	350
Output	W	200
Strokes	rpm	3 350
Stroke of blade	mm	20
Cable with plug	m	5
Weight according to EPTA	kg	2,2
Max. cutting capacity		
Stainless steel (V2A)	mm	3
Steel (St 37)	mm	8
alu, copper, brass	mm	10/10
Hard/soft wood and plywood	mm	50/40
Hard particle / fibre-glass materials	mm	25/20
Radius of smallest curve		
steel/woods and plastics	mm	8/6
Part number		7 234 17 00 23 9
EAN		4014586841670

FEIN benefits:

- ▶ Extremely low levels of wear and maintenance even when used in very demanding industrial applications.
- ▶ Machine concept for optimum results in metals, insulation materials (sandwich) and hard wood.
- ▶ Excellent ergonomics.
- ▶ Outstanding smooth running thanks to precisely balanced weight distribution.
- ▶ Swarf removal can be switched between extraction or blowing.

Price includes:

2 packs of saw blades, 1 anti-chipping protector

Saw blades for metal and sandwich material

	METAL	ALU	Cu Ni Mn Zn	STAINLESS INOX NIROSTA	PVC	SANDWICH			Qualität/ Quality	No. in pack pcs	Part number
	< 1,2		< 1,2				77	0,7	HSS	5	6 35 03 060 01 0
	< 1,2						100	0,7	HSS	5	6 35 03 076 01 0
	< 2,0	< 2,0	< 2,0	< 2,0	< 4,0		88	1,2	HSS	5	6 35 03 035 01 1
	< 2,0	< 2,0	< 2,0		< 4,0	< 70,0	120	1,2	HSS	5	6 35 03 077 01 4
	< 10,0	< 8,0	< 10,0	< 6,0	< 8,0		88	2,0	HSS	5	6 35 03 036 01 4
	< 10,0	< 8,0	< 10,0		< 30,0	< 120	180	2	BIM	5	6 35 03 114 01 0
	< 2,0	< 2,0	< 2,0	< 2,0	< 4,0		88	1,2	BIM	5	6 35 03 112 01 0
	< 10,0	< 8,0	< 10,0	< 6,0	< 8,0		88	2,0	BIM	5	6 35 03 113 01 0
	< 6,0	< 15,0					100	3,0	BIM	5	6 35 03 088 01 1

Saw blades for wood and other materials

	FIBREGLASS		PVC				Qualität/ Quality	No. in pack pcs	Part number
			< 25,0	< 25,0	77	2	HCS	5	6 35 03 087 01 3
		< 40,0	< 15,0	< 25,0	88	3,0	HCS	5	6 35 03 037 01 8
		< 50,0	< 30,0	< 50,0	88	4,0	HCS	5	6 35 03 038 01 6
		< 60,0	< 30,0	< 60,0	100	4,0	HCS	5	6 35 03 082 01 0
					77		HM	5	6 35 03 089 01 5
	< 25,0		< 30,0		88	4,0	HSS	5	6 35 03 039 01 0
	< 10,0				77			1	6 35 03 061 01 9

General accessories

Tool case
Plastic, inner dimensions: 470 x 275 x 116 mm

Part number
3 39 01 118 01 0

Plastic box
Box insert with lockable lid for small parts and accessories, suitable for tool box 3 39 01 118 01 0, max 5 items/box.

Part number
3 39 01 119 00 0

Cutting paste
Lubricating agents for working on sheet metals.

Part number
3 21 32 020 12 9

Shoe plate
Extended, for sawing profiles and profiled insulation material. Length approx. 340 mm.

Part number
3 27 14 084 00 8

Anti-chipping protector
Pack of 5

Part number
3 14 28 102 01 6

Chipping protector
for AS(e) 638

Part number
3 27 14 088 00 7

Hose sleeve
for the connection of FEIN Electric Power Tools with dust extraction

Ø mm	Part number
32	3 05 17 028 00 7
27	3 05 17 029 00 1

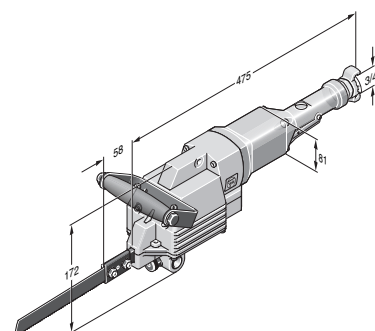
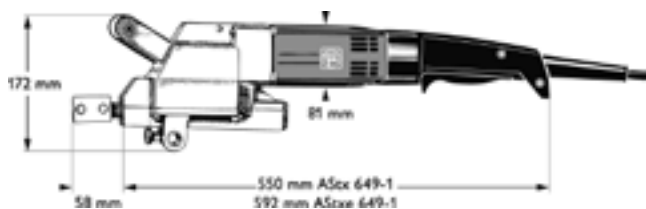
Connecting piece
Universal device to connect power tools and accessories with dust extraction to vacuum cleaner. Flexible rubber sleeve, length 70 mm, inner diameter 31.5 mm.

Part number
3 13 22 771 00 9



	ASStx 649-1	ASStxe 649-1	STS 325 R	
	Powerful hacksaw for pipes and profiled sections.	Powerful hacksaw for pipes and profiled sections with continuously variable speed adjustment.	Compressed air hacksaw for pipes and profiled sections.	
Page	142	142	142	
Technical features	Input (W)	750	750	
	Strokes (rpm)	350	100-350	330
	Stroke of blade (mm)	60	60	60
	Operating pressure (bar)			6,0
	Air consumption (m ³ /min)			1,45
	Weight according to EPTA (kg)	6,1	6,4	7,2
	Pipes up to Ø (mm)	440 *	440 *	440 *
profiles up to W x H (mm)	290 x 550	290 x 550	290 x 500	

* With chain extension.



STS 325 R

AStx 649-1

Powerful hacksaw for pipes and profiled sections.



For accessories, see page 143

Input	W	750
Output	W	480
Strokes	rpm	350
Stroke of blade	mm	60
Cable with plug	m	2,5
Weight according to EPTA	kg	6,1
Max. cutting capacity		
Pipes up to Ø	mm	440 *
profiles up to W x H	mm	290 x 550
Part number		7 234 22 00 23 0
EAN		4014586858470

FEIN benefits:

- ▶ Ideally suited for trimming pipes and shaped section made of steel, cast-iron, autoclaved aerated concrete and plastics.
- ▶ Clamp and feed device available for profiles and pipes from Ø 80 mm to Ø 400 mm.
- ▶ Especially suitable for sandwich material and layers of different materials.
- ▶ Adjustable clamping devices permit mitre cuts up to 45° as well.
- ▶ * With chain extension.

Price includes:

2 saw blades, 1 additional handle, 1 set of keys

AStxe 649-1

Powerful hacksaw for pipes and profiled sections with continuously variable speed adjustment.



For accessories, see page 143

Input	W	750
Output	W	480
Strokes	rpm	100-350
Stroke of blade	mm	60
Cable with plug	m	2,5
Weight according to EPTA	kg	6,4
Max. cutting capacity		
Pipes up to Ø	mm	440 *
profiles up to W x H	mm	290 x 550
Part number		7 234 23 00 23 0
EAN		4014586858500

FEIN benefits:

- ▶ Ideally suited for trimming pipes and shaped section made of steel, cast-iron, autoclaved aerated concrete and plastics.
- ▶ Clamp and feed device available for profiles and pipes from Ø 80 mm to Ø 400 mm.
- ▶ Especially suitable for sandwich material and layers of different materials.
- ▶ Variable electronic speed control for optimum cutting speed.
- ▶ Adjustable clamping devices permit mitre cuts up to 45° as well.
- ▶ * With chain extension.

Price includes:

2 saw blades, 1 additional handle, 1 set of keys

STS 325 R

Compressed air hacksaw for pipes and profiled sections.



For accessories, see page 143

Operating pressure	bar	6,0
Air consumption	m ³ /min	1,45
Output	W	1 100
Strokes	rpm	330
Stroke of blade	mm	60
Weight according to EPTA	kg	7,2
Max. cutting capacity		
Pipes up to Ø	mm	440 *
profiles up to W x H	mm	290 x 500
Part number		7 534 08 00 00 0
EAN		4014586855639

FEIN benefits:

- ▶ Ideally suited for trimming pipes and shaped section made of steel, cast-iron, autoclaved aerated concrete and plastics.
- ▶ Clamp and feed device available for profiles and pipes from Ø 80 mm to Ø 400 mm.
- ▶ Adjustable clamping devices permit mitre cuts up to 45° as well.
- ▶ Clamp and feed device.
- ▶ Adjustable clamping fixtures.
- ▶ * With chain extension.

Price includes:

2 saw blades, 1 set of keys, 1 additional handle, 1 hose coupling



Saw blades

	Non-ferrous metals and steel 400 N/mm ²	Steel more than 400 N/mm ² and cast iron	Miscellaneous	Length	Tooth spacing	Thick- ness	Weight (net)	Material	Part number
				mm	mm	mm	kg		
	x	x	≤ Ø 80	200	1,0	1,5	0,06	HSS	6 35 03 067 00 6
	x	x	≤ Ø 80	200	1,6	1,5	0,06	HSS	6 35 03 066 00 2
	x	x	≤ Ø 170 ¹	300	1,6	1,5	0,06	HSS	6 35 03 063 00 7
	x	x	≤ Ø 260 ¹	400	1,6	1,5	0,125	HSS	6 35 03 064 00 5
	x	x	≤ Ø 350 ²	500	1,8	2,0	0,18	HSS	6 35 03 072 00 2
	x	x	≤ Ø 440 ²	600	1,8	2,0	0,21	HSS	6 35 03 073 00 6
	x	x		300	2,1	1,5	0,08	HSS	6 35 03 070 00 0
	x		*	530	2,1	1,5	0,170	HSS	6 35 03 069 00 8
	x (AL)		Plastic	200	3,2	1,5	0,06	HSS	6 35 03 065 00 9
	x (AL)		Plastic	400	3,2	1,5	0,125	HSS	6 35 03 068 00 4
			PE pipes, porous concrete	300	6,3	1,5	0,08		6 35 03 071 00 9
			PE pipes, porous concrete *	530	6,3	1,5	0,170		6 35 03 040 00 3

HD saw blades

Special saw blades for cutting steel and stainless steel. HD saw blades are noted for their long service life and rapid sawing speed. Give them a try: it will pay off.

	Non-ferrous metals and steel 400 N/mm ²	Steel more than 400 N/mm ² and cast iron	Miscellaneous	Length	Tooth spacing	Thick- ness	Weight (net)	Material	Part number
				mm	mm	mm	kg		
	x	x	≤ Ø 170 ¹	300	1,6	2,0	0,08	HSS	6 35 03 093 00 4
	x	x	≤ Ø 350 ²	500	1,8	2,0	0,18	HSS	6 35 03 099 00 5
	x	x	≤ Ø 325 *	530	2,1	1,6	0,17	HSS	6 35 03 100 00 6
	x	x	≤ Ø 260 ¹	400	2,1	2,0	0,175	HSS	6 35 03 094 00 2
	x	x	≤ Ø 260 ¹	400	3,2	2,0	0,175	HSS	6 35 03 095 00 6
	x	x	≤ Ø 440 ²	600	1,8	2,0	0,21	HSS	6 35 03 098 00 1

TD saw blades

TD saw blades are suitable for cutting wet and dry pipes. They are noted for rapid sawing speed and for clean cuts.

	for ductile cast-iron pipes, also with cement mortar cladding and cast iron pipes	Pipes Ø (DN)	Length	Coating length	Thick- ness	Weight	Material	Part number
		mm	mm	mm	mm	kg		
	x	80 - 150 ³	320	260	2,2	0,110		6 35 03 096 01 8
	x	80 - 300 ³	490	430	2,9	0,220		6 35 03 097 01 2

* only with saw blade guide 9 06 06 002 00 9

¹ for use with the FEIN clamp and feed device 9 07 02 005 00 0 or clamping device 9 07 02 004 00 6

² only with chain extension up to Ø 440 mm, chain 3 02 31 003 00 3 and bolt 3 02 16 130 00 4 also required

³ to be used with the FEIN clamp and feed device 9 07 02 005 00 0

General accessories



Tool case
Metal

Length mm	Width mm	Height mm	Part number
690	240	160	3 39 01 022 01 4



Cutting paste
Lubricating agents for working on sheet metals.

Part number
3 21 32 020 12 9



FEIN clamp and feed device
(W x D x H) 280 x 285 x 395 mm, for pipes and circular material with an outside dia. of 80 mm to 400 mm

Part number
9 07 02 005 00 0

Protective steel jaws
for avoiding damage to the surface of the pipe, 4 pieces required

Part number
3 13 27 064 00 8



Cleaning block
Rhombus for cleaning the carbide tools and diamond-coated tools.

Part number
6 37 19 007 01 0



Clamping fixture
for pipes up to Ø 159 mm and for mitre cuts

Part number
9 07 02 001 00 1



Clamping fixture
for pipes from Ø 100 mm up to 325 mm, only with extension of the chain up to Ø 440 mm, chain 3 02 31 003 00 3 and bolt 3 02 16 130 00 4 necessary

Part number
9 07 02 004 00 6



Clamping fixture
for profiles up to 290 mm width at max height 550 mm

Part number
9 07 02 003 00 8



Saw blade guide
for pipes up to Ø 325 mm only with saw blade 530 mm length, guide to the centre of the pipe

Part number
9 06 06 002 00 9



Support
for free hand working

Part number
3 27 14 062 02 3

Splitter wedge
Prevents the jamming of the saw blade

Part number
6 33 05 006 00 8

Accessory STS 325 R

Hose coupling

Part number
4 11 40 004 00 7

**MF 14-180**

Extremely powerful and robust construction cutter for removing old windows.



For accessories, see page 145

Input	W	1 200
Output	W	750
Speed, no load	rpm	7 000
Cable with plug	m	4
Weight according to EPTA	kg	4,1
Diamond wheel Ø	mm	180
Cutting depth	mm	0 - 50
Part number	7 238 14 00 23 0	
EAN	4014586865744	

FEIN benefits:

- ▶ Precise cuts without any damage to the walls.
- ▶ Cut passes just 2 mm along the old window frame.
- ▶ Dust-free operation with closed suction container.
- ▶ FEIN high-power motor.
- ▶ Top-quality diamond wheel.
- ▶ Ideal addition: FEIN SUPERCUT for cutting window frames.
- ▶ Cutting depth can be precisely set with the depth stop.
- ▶ Firm handle.

Price includes:

1 FEIN construction cutter MF 14-180, 1 diamond wheel, Ø 180 mm, 1 plastic carrying case

Construction cutter**General accessories****Diamond wheel**

Ø 180 mm, special retainer for MF 14-180.

Ø	Part number
mm	
180	6 35 02 146 01 1

**Connecting piece**

Universal device to connect power tools and accessories with dust extraction to vacuum cleaner. Flexible rubber sleeve, length 70 mm, inner diameter 31.5 mm.

Part number
3 13 22 771 00 9



Metal core drills – the most cost effective drilling experience.

Core drilling is an extremely efficient process: faster, quieter and more accurate than twist drilling. Since core drilling requires no predrilling or retooling, the time needed for the job can be cut by up to around 40% – on site or in the workshop. The high-quality FEIN magnet core drill units (KBM) can be used with carbide core drills and are suited to many applications such as core drilling, spiral drilling, thread cutting, countersinking and reaming. The FEIN KBB range of magnet core drill units, on the other hand, are designed solely for efficient core drilling. The same applies to the FEIN core bits. High-quality carbides, HSS steels and sophisticated cutting geometries ensure the best cutting performances and very long service life.

The world's first hand-guided metal drilling system, the FEIN KBH 25, combines the benefits of powerful hand drills and carbide-tipped core drills in one. The new drilling technology and specially developed carbide core drill bit make possible flexible, comfortable and rapid work.

Whether for steel, stainless steel or aluminium: we've got the right solution for every application, thanks to our extensive range of core bits.

The FEIN core drilling system will revolutionise your work!



KBH **Page 148**
Hand-guided metal core drilling system
for fast and flexible use.



KBB **Page 152**
Sturdy core drilling system, speed-optimised
for HSS core drill bits.



KBM **Page 158**
High-quality core drilling system for universal use,
speed-optimised for carbide core drill bits.

KBH 25

Hand-guided metal core drilling system for fast and flexible use.



For accessories, see page 149

Input	W	1 200
Output	W	680
Speed, full load	rpm	0-520
Torque at max. output power	Nm	50
Stall torque	Nm	50*
Collar Ø	mm	43
Drilling diameter in steel, core drill bit	mm	14-25
capacity in Ø stainless steel	mm	14-25
Drilling diameter in aluminium, core drill bit	mm	14-30
Core drill, drilling depth max.	mm	20
Drilling diameter in steel, hole saws	mm	14-54
Hole saws, max. drilling depth	mm	4
Tapping		M 12
Width across corners	mm	27
Core drill holder		QuickIN Plus
Cable with plug	m	4
Weight according to EPTA	kg	3,3
Part number		7 271 01 61 00 0
EAN		401458686769

FEIN benefits:

- ▶ A way of working that is comfortable and up to 5 times faster due to new drilling technology and specially developed core drill bit cutting geometry.
- ▶ Hand-guided drilling with carbide core drill bits with drilling diameter of up to 25 mm in steel up to 20 mm thick.
- ▶ Hand-guided drilling with carbide hole saws with drilling diameter of up to 54 mm in metal sheets up to 4 mm thick.
- ▶ Distortion-free barrel-type motor housing.
- ▶ Carbide core drill bits with optimised service life.
- ▶ Powerful motor.
- ▶ Torque slipping clutch.
- ▶ * Speed-controlled tachometer electronics.
- ▶ Speed preselection.
- ▶ Electronic overload protection.
- ▶ Reversible rotation.
- ▶ Restart protection.
- ▶ Wide range of accessories.

Price includes:

1 metal core drill KBH 25, 1 centring drill bit, 1 additional handle, 1 cutting spray, 1 plastic carrying case



Carbide core drill



Carbide core drill bit with QuickIN PLUS holder
Outstanding cutting performance in all common metals.
Metric dimensions, cutting depth 20 mm, drilling diameter in
steel up to 25 mm, drilling diameter in aluminium up to 30 mm.

Bore Ø mm	Part number
15	6 31 30 015 01 0
16	6 31 30 016 01 0
17	6 31 30 017 01 0
18	6 31 30 018 01 0
19	6 31 30 019 01 0
20	6 31 30 020 01 0
21	6 31 30 021 01 0
22	6 31 30 022 01 0
23	6 31 30 023 01 0
24	6 31 30 024 01 0
25	6 31 30 025 01 0
26	6 31 30 026 01 0
27	6 31 30 027 01 0
28	6 31 30 028 01 0
29	6 31 30 029 01 0
30	6 31 30 030 01 0



Carbide core drill bit with QuickIN PLUS holder
Outstanding cutting performance in all common metals.
Imperial dimensions, cutting depth 20 mm/3/4".

Bore Ø in	Bore Ø mm	Part number
9/16	14,29	6 31 30 200 01 0
5/8	15,88	6 31 30 201 01 0
11/16	17,46	6 31 30 202 01 0
3/4	19,05	6 31 30 203 01 0
13/16	20,64	6 31 30 204 01 0
7/8	22,23	6 31 30 205 01 0
15/16	23,81	6 31 30 206 01 0
1	25,40	6 31 30 207 01 0
1-1/16	26,99	6 31 30 208 01 0
1-1/8	28,58	6 31 30 209 01 0
1-3/16	30,16	6 31 30 210 01 0

TiAlN-coated carbide core drill



Carbide core drill bit with TiAlN coating and QuickIN PLUS holder
Maximum service life thanks to TiAlN coating. Outstanding cutting performance in all common metals, 20% better work progress, reduced cutting and feed forces thanks to TiAlN coating.
Metric dimensions, cutting depth 20 mm, drilling diameter in steel up to 25 mm, drilling diameter in aluminium up to 30 mm.

Bore Ø mm	Part number
14	6 31 30 114 01 0
15	6 31 30 115 01 0
16	6 31 30 116 01 0
17	6 31 30 117 01 0
18	6 31 30 118 01 0
19	6 31 30 119 01 0
20	6 31 30 120 01 0
21	6 31 30 121 01 0
22	6 31 30 122 01 0
23	6 31 30 123 01 0
24	6 31 30 124 01 0
25	6 31 30 125 01 0
26	6 31 30 126 01 0
27	6 31 30 127 01 0
28	6 31 30 128 01 0
29	6 31 30 129 01 0
30	6 31 30 130 01 0



Carbide core drill bit with TiAlN coating and QuickIN PLUS holder
Maximum service life thanks to TiAlN coating. Outstanding cutting performance in all common metals, 20% better work progress, reduced cutting and feed forces thanks to TiAlN coating.
Imperial dimensions, cutting depth 20 mm/3/4".

Bore Ø in	Bore Ø mm	Part number
9/16	14,29	6 31 30 300 01 0
5/8	15,88	6 31 30 301 01 0
11/16	17,46	6 31 30 302 01 0
3/4	19,05	6 31 30 303 01 0
13/16	20,64	6 31 30 304 01 0
7/8	22,23	6 31 30 305 01 0
15/16	23,81	6 31 30 306 01 0
1	25,40	6 31 30 307 01 0
1-1/16	26,99	6 31 30 308 01 0
1-1/8	28,58	6 31 30 309 01 0
1-3/16	30,16	6 31 30 310 01 0

Carbide hole saws



Carbide hole saw with QuickIN PLUS holder
Carbide cutting tips for optimum service life for efficient drilling in sheet metal plate up to 4.0 mm thick.
Metric dimensions, cutting depth 4 mm.

Bore Ø mm	Part number
14	6 31 31 014 01 0
15	6 31 31 015 01 0
16	6 31 31 016 01 0
17	6 31 31 017 01 0
18	6 31 31 018 01 0
19	6 31 31 019 01 0
20	6 31 31 020 01 0
21	6 31 31 021 01 0
22	6 31 31 022 01 0
23	6 31 31 023 01 0
24	6 31 31 024 01 0
25	6 31 31 025 01 0

26	6 31 31 026 01 0
27	6 31 31 027 01 0
28	6 31 31 028 01 0
29	6 31 31 029 01 0
30	6 31 31 030 01 0
31	6 31 31 031 01 0
32	6 31 31 032 01 0
33	6 31 31 033 01 0
34	6 31 31 034 01 0
35	6 31 31 035 01 0
36	6 31 31 036 01 0
37	6 31 31 037 01 0
38	6 31 31 038 01 0
39	6 31 31 039 01 0
40	6 31 31 040 01 0
41	6 31 31 041 01 0
42	6 31 31 042 01 0
43	6 31 31 043 01 0
44	6 31 31 044 01 0
45	6 31 31 045 01 0
46	6 31 31 046 01 0
47	6 31 31 047 01 0
48	6 31 31 048 01 0
49	6 31 31 049 01 0
50	6 31 31 050 01 0
51	6 31 31 051 01 0
52	6 31 31 052 01 0
53	6 31 31 053 01 0
54	6 31 31 054 01 0



Carbide hole saw with QuickIN PLUS holder
Carbide cutting tips for optimum service life for efficient drilling in sheet metal plate up to 4.0 mm thick.
Imperial dimensions, cutting depth 4 mm/ 5/32".

Bore Ø in	Bore Ø mm	Part number
9/16	14,29	6 31 31 200 01 0
5/8	15,88	6 31 31 201 01 0
11/16	17,46	6 31 31 202 01 0
3/4	19,05	6 31 31 203 01 0
13/16	20,64	6 31 31 204 01 0
7/8	22,23	6 31 31 205 01 0
15/16	23,81	6 31 31 206 01 0
1	25,40	6 31 31 207 01 0
1-1/16	26,99	6 31 31 208 01 0
1-1/8	28,58	6 31 31 209 01 0
1-3/16	30,16	6 31 31 210 01 0
1-1/4	31,75	6 31 31 211 01 0
1-5/16	33,34	6 31 31 212 01 0
1-3/8	34,93	6 31 31 213 01 0
1-7/16	36,51	6 31 31 214 01 0
1-1/2	38,10	6 31 31 215 01 0
1-9/16	39,19	6 31 31 216 01 0
1-5/8	41,28	6 31 31 217 01 0
1-11/16	42,86	6 31 31 218 01 0
1-3/4	44,45	6 31 31 219 01 0
1-13/16	46,04	6 31 31 220 01 0
1-7/8	47,63	6 31 31 221 01 0
1-15/16	49,21	6 31 31 222 01 0
2	50,80	6 31 31 223 01 0
2-1/16	52,39	6 31 31 224 01 0
2-1/8	53,98	6 31 31 225 01 0

Carbide hole saws for pipes



Carbide hole saw for pipes with QuickIN PLUS holder
Carbide cutting tips for optimum service life for use with pipe material and curved surfaces with wall thicknesses of up to 4 mm.
Metric dimensions, cutting depth 4 mm.

Bore Ø mm	Part number
21	6 31 31 421 01 0
22	6 31 31 422 01 0
23	6 31 31 423 01 0
24	6 31 31 424 01 0
25	6 31 31 425 01 0
26	6 31 31 426 01 0
27	6 31 31 427 01 0
28	6 31 31 428 01 0
29	6 31 31 429 01 0
30	6 31 31 430 01 0
31	6 31 31 431 01 0
32	6 31 31 432 01 0
33	6 31 31 433 01 0
34	6 31 31 434 01 0
35	6 31 31 435 01 0
36	6 31 31 436 01 0
37	6 31 31 437 01 0
38	6 31 31 438 01 0
39	6 31 31 439 01 0
40	6 31 31 440 01 0
41	6 31 31 441 01 0
42	6 31 31 442 01 0
43	6 31 31 443 01 0
44	6 31 31 444 01 0
45	6 31 31 445 01 0
46	6 31 31 446 01 0
47	6 31 31 447 01 0
48	6 31 31 448 01 0
49	6 31 31 449 01 0
50	6 31 31 450 01 0
51	6 31 31 451 01 0
52	6 31 31 452 01 0
53	6 31 31 453 01 0
54	6 31 31 454 01 0



Carbide hole saw for pipes with QuickIN PLUS holder
Carbide cutting tips for optimum service life for use with pipe material and curved surfaces with wall thicknesses of up to 4 mm.
Imperial dimensions, cutting depth 4 mm/ 5/32".

Bore Ø in	Bore Ø mm	Part number
7/8	22,23	6 31 31 605 01 0
15/16	23,81	6 31 31 606 01 0
1	25,40	6 31 31 607 01 0
1-1/16	26,99	6 31 31 608 01 0
1-1/8	28,58	6 31 31 609 01 0
1-3/16	30,16	6 31 31 610 01 0
1-1/4	31,75	6 31 31 611 01 0
1-5/16	33,34	6 31 31 612 01 0
1-3/8	34,93	6 31 31 613 01 0
1-7/16	36,51	6 31 31 614 01 0
1-1/2	38,10	6 31 31 615 01 0
1-9/16	39,19	6 31 31 616 01 0
1-5/8	41,28	6 31 31 617 01 0
1-11/16	42,86	6 31 31 618 01 0
1-3/4	44,45	6 31 31 619 01 0
1-13/16	46,04	6 31 31 620 01 0
1-7/8	47,63	6 31 31 621 01 0
1-15/16	49,21	6 31 31 622 01 0
2	50,80	6 31 31 623 01 0
2-1/16	52,39	6 31 31 624 01 0
2-1/8	53,98	6 31 31 625 01 0

Centring drill bit



Centring drill bit

No. in pack pcs	Part number
1	6 31 14 038 01 0
5	6 31 14 038 02 0

Tapping



Collet chuck
with collets 6/7/9 mm

Part number	6 32 06 067 02 0
-------------	------------------



Collets
for collets and floating collet chucks

Thread Ø	Ø mm	Square mm	Part number
M 4 / M 6	4,5	3,4	6 32 06 065 00 5
M 5 / M 8	6	4,9	6 32 06 066 00 8
M 10	7	5,5	6 32 06 070 00 6
M 12	9	7	6 32 06 075 00 4
M 8	8	6,2	6 32 06 078 00 9
M 10	10	8	6 32 06 079 00 3



Jaw chuck
for tapping drill direct adaptor clamping range 2.8 - 9.0 mm, with key wrench

Part number	6 32 06 018 01 0
-------------	------------------

Other accessories



Swarf cup
Prevents contact with hot swarf with sharp edges.

Part number	3 21 74 013 01 0
-------------	------------------



Cutting spray
300 ml pump spray, for long tool life, optimum cutting performance and enhanced swarf flow.

Part number	3 21 32 031 00 0
-------------	------------------



Extension
For use on confined, deep or layered surfaces. QuickIN-PLUS holder, length 100 mm, including adapter for centring drill bit.

Part number	6 31 06 017 01 0
-------------	------------------



QuickIN PLUS adapter on B16

Part number	6 39 01 047 00 0
-------------	------------------



QuickIN Plus adapter for 1/2"-20 UNF

Part number	6 39 01 054 00 0
-------------	------------------



Key-type drill chucks
Drill chuck holder B 16

Chuck opening mm	Weight kg	Part number
1,5 - 13	0,41	6 32 02 030 01 5



Quick-action chucks
Drill chuck holder B 16
R shaped tip with locking force safety device

Chuck opening mm	Weight kg	Part number
1 - 13	0,56	6 32 04 032 00 6



Quick-action chucks
Single sheath metal SUPRA SKE quick clamping drill chuck with locking force safety device, drill chuck holder 1/2"-20 UNF

Chuck opening mm	Weight kg	Part number
3-16	0,56	6 32 05 038 01 0



Quick-action chucks
SUPRA SKE single-sheath metal quick-clamping drill chuck with chucking force safety device, QuickIN Plus holder

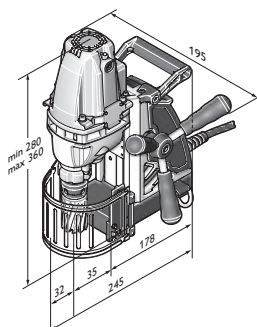
Chuck opening mm	Part number
3-16	6 39 01 054 01 0



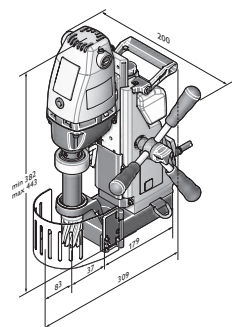
	KBB 30	KBB 38	KBB 40	KBB 60	
	Extremely compact for drilling jobs on the construction site.	For precise drilling on the construction site.	Compact with fixed drill motor for work in tight spaces.	With 2-speed gearbox for drilling jobs in the workshop, cutting depth up to 75 mm.	
Page	153	153	153	154	
Application	Core drilling in metal with a Ø up to 30 mm	▲▲	▲▲	▲▲	▲▲
	Core drilling in metal with a Ø up to 40 mm			▲▲	▲▲
	Core drilling in metal with a Ø up to 60 mm				▲▲
	Use of HSS core drill bits	▲▲	▲▲	▲▲	▲▲
	Use of carbide core drill bits	▲	▲	▲	▲
	Working in tight spaces	▲▲		▲▲	
	Working one-handed	▲▲	▲▲	▲▲	▲▲
	Working overhead	▲▲	▲▲	▲▲	▲
	Installation work	▲▲	▲▲	▲▲	▲
	Workshop jobs	▲▲	▲▲	▲▲	▲▲
Technical features	Carbide core drill bit max. diameter (mm)	30	38	40	60
	HSS core drill max. Ø (mm)	30	38	40	60
	Core drill, drilling depth max. (mm)	50	50	50	75
	Input (W)	750	1 050	1 100	1 400
	Output (W)	430	530	610	770
	Speed, no load (rpm)	740	480	450	
	1st gear (rpm)				330
	2nd gear (rpm)				660
	Speed, full load (rpm)	430	330	280	
	1st gear (rpm)				180
	2nd gear (rpm)				340
	Core drill holder	3/4" Weldon	3/4" Weldon	3/4" Weldon	3/4" Weldon
	Stroke (mm)	65	65	65	92
	Magnetic holding power (N)	9 000	9 000	9 000	11 000
	Magnetic foot dimensions (mm)	178 x 95	178 x 95	165 x 102	191 x 102
Cable with plug (m)	3,8	3,8	3,8	3,8	
Weight according to EPTA (kg)	10,5	12,9	12,8	23,9	

▲ suitability

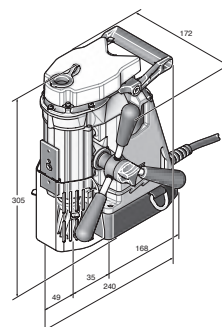
▲▲ optimal suitability



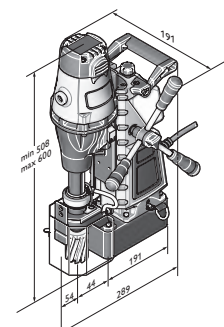
KBB 30



KBB 38



KBB 40



KBB 60



KBB 30

Extremely compact for drilling jobs on the construction site.



For accessories, see page 154

Carbide core drill bit max. diameter	mm	30
HSS core drill max. Ø	mm	30
Core drill, drilling depth max.	mm	50
Input	W	750
Output	W	430
Speed, no load	rpm	740
Speed, full load	rpm	430
Core drill holder		3/4" Weldon
Stroke	mm	65
Magnetic holding power	N	9 000
Magnetic foot dimensions	mm	178 x 95
Cable with plug	m	3,8
Weight according to EPTA	kg	10,5
Part number		7 272 01 61 00 0
EAN		4014586700212

FEIN benefits:

- ▶ Extremely compact with perfect power-to-weight ratio for work at height and in tight spaces.
- ▶ Feed handwheel can be moved from one side to the other for use in special work situations.
- ▶ Concealed motor wiring prevents wires from snagging or getting caught on the workpiece.
- ▶ Internal cooling.
- ▶ Easy guide adjustment.

Price includes:

1 case, 1 coolant tank, 1 lashing strap, 1 swarf hook, 2 centering pins, 1 socket head wrench 5 mm, 1 contact guard

KBB 38

For precise drilling on the construction site.



For accessories, see page 154

Carbide core drill bit max. diameter	mm	38
HSS core drill max. Ø	mm	38
Core drill, drilling depth max.	mm	50
Input	W	1 050
Output	W	530
Speed, no load	rpm	480
Speed, full load	rpm	330
Core drill holder		3/4" Weldon
Stroke	mm	65
Magnetic holding power	N	9 000
Magnetic foot dimensions	mm	178 x 95
Cable with plug	m	3,8
Weight according to EPTA	kg	12,9
Part number		7 272 02 61 00 0
EAN		4014586700328

FEIN benefits:

- ▶ Stable torque drill motor for challenging core drilling.
- ▶ Special drill spindle guide maintains concentricity and ensures reliable core ejection.
- ▶ Solid die-cast aluminium construction for work under adverse conditions.
- ▶ Integrated coolant tank.
- ▶ Concealed motor wiring
- ▶ Extra handle for easy transport.
- ▶ Feed handwheel can be moved from one side to the other.

Price includes:

1 case, 1 coolant tank, 1 lashing strap, 1 swarf hook, 2 centering pins, 1 contact guard, 1 socket head wrench 5 mm, 1 carry handle

KBB 40

Compact with fixed drill motor for work in tight spaces.



For accessories, see page 154

Carbide core drill bit max. diameter	mm	40
HSS core drill max. Ø	mm	40
Core drill, drilling depth max.	mm	50
Input	W	1 100
Output	W	610
Speed, no load	rpm	450
Speed, full load	rpm	280
Core drill holder		3/4" Weldon
Stroke	mm	65
Magnetic holding power	N	9 000
Magnetic foot dimensions	mm	165 x 102
Cable with plug	m	3,8
Weight according to EPTA	kg	12,8
Part number		7 272 03 61 00 0
EAN		4014586700502

FEIN benefits:

- ▶ Extremely compact with perfect power-to-weight ratio for work at height and in tight spaces.
- ▶ Feed handwheel can be moved from one side to the other for use in special work situations.
- ▶ Concealed motor wiring prevents wires from snagging or getting caught on the workpiece.
- ▶ Internal cooling.
- ▶ Easy guide adjustment.
- ▶ Solid die-cast aluminium construction.
- ▶ Fixed drill motor.

Price includes:

1 case, 1 coolant tank, 1 lashing strap, 1 swarf hook, 2 centering pins, 1 contact guard, 1 socket head wrench 5 mm

KBB 60

With 2-speed gearbox for drilling jobs in the workshop, cutting depth up to 75 mm.



For accessories, see page 154

Carbide core drill bit max. diameter	mm	60
HSS core drill max. Ø	mm	60
Core drill, drilling depth max.	mm	75
Input	W	1 400
Output	W	770
Speed, no load		
1st gear	rpm	330
2nd gear	rpm	660
Speed, full load		
1st gear	rpm	180
2nd gear	rpm	340
Core drill holder		3/4" Weldon
Stroke	mm	92
Magnetic holding power	N	11 000
Magnetic foot dimensions	mm	191 x 102
Cable with plug	m	3,8
Weight according to EPTA	kg	23,9
Part number		7 272 04 61 00 0
EAN		4014586700410

FEIN benefits:

- ▶ Stable torque drill motor for challenging core drilling.
- ▶ Special drill spindle guide maintains concentricity and ensures reliable core ejection.
- ▶ Solid die-cast aluminium construction for work under adverse conditions.
- ▶ Integrated coolant tank.
- ▶ Concealed motor wiring
- ▶ Extra handle for easy transport.
- ▶ Feed handwheel can be moved from one side to the other.
- ▶ Mechanical 2-speed gearbox.
- ▶ Extra-long drill shaft for 75 mm cutting depth.

Price includes:

- 1 case, 1 coolant tank, 1 lashing strap, 1 swarf hook,
- 2 centering pins, 1 contact guard, 1 socket head wrench 5 mm,
- 1 carry handle

KBB

Best of core drilling HSS accessory set



Best of core bits 3/4" Weldon

Industrial standard. Metric dimensions, cutting depth 25 mm. Set version, consisting of 4 core bits, 2x 14 mm diameter, 2x 18 mm diameter, (cutting depth 25 mm) and 1 centring pin (80 mm) in plastic case.

Part number
6 31 34 999 06 2



Best of core bits 3/4" Weldon

Industrial standard. Metric dimensions, cutting depth 50 mm. Set version, consisting of 4 core bits, 2x 14 mm diameter, 2x 18 mm diameter, (cutting depth 50 mm) and 1 centring pin (105 mm) in plastic case.

Part number
6 31 34 999 06 4



Best of core bits 3/4" Weldon

Industrial standard. Metric dimensions, cutting depth 25 mm. Set version, consisting of 6 core bits with diameters of 12, 14, 16, 18, 20 and 22 mm (cutting depth 25 mm) and 2 centring pins (80 mm) in plastic case.

Part number
6 31 34 999 06 1



Best of core bits 3/4" Weldon

Industrial standard. Metric dimensions, cutting depth 50 mm. Set version, consisting of 6 core bits with diameters of 12, 14, 16, 18, 20 and 22 mm (cutting depth 50 mm) and 2 centring pins (105 mm) in plastic case.

Part number
6 31 34 999 06 3

Best of core drilling carbide accessory set



Best of core bits 3/4" Weldon

Very long service life and outstanding cutting performance. Metric dimensions, cutting depth 35 mm. Set version, consisting of 6 core bits with diameters of 12, 14, 16, 18, 20 and 22 mm (cutting depth 35 mm) and 2 centring pins (105 mm) in plastic case.

Part number
6 31 27 714 02 0

HSS core drill



HSS Nova 25 core bit with 3/4" Weldon holder

Industrial standard. Metric dimensions, cutting depth 25 mm.

Bore Ø mm	Part number
12	6 31 34 120 05 1
13	6 31 34 130 05 1
14	6 31 34 140 05 1
15	6 31 34 150 05 1
16	6 31 34 160 05 1
17	6 31 34 170 05 1
18	6 31 34 180 05 1
19	6 31 34 190 05 1
20	6 31 34 200 05 1
21	6 31 34 210 05 1
22	6 31 34 220 05 1
23	6 31 34 230 05 1
24	6 31 34 240 05 1
25	6 31 34 250 05 1
26	6 31 34 260 05 1
27	6 31 34 270 05 1
28	6 31 34 280 05 1
29	6 31 34 290 05 1
30	6 31 34 300 05 1



31	6 31 34 310 05 1
32	6 31 34 320 05 1
33	6 31 34 330 05 1
34	6 31 34 340 05 1
35	6 31 34 350 05 1
36	6 31 34 360 05 1
37	6 31 34 370 05 1
38	6 31 34 380 05 1
39	6 31 34 390 05 1
40	6 31 34 400 05 1
41	6 31 34 410 05 1
42	6 31 34 420 05 1
43	6 31 34 430 05 1
44	6 31 34 440 05 1
45	6 31 34 450 05 1
46	6 31 34 460 05 1
47	6 31 34 470 05 1
48	6 31 34 480 05 1
49	6 31 34 490 05 1
50	6 31 34 500 05 1
51	6 31 34 510 05 1
52	6 31 34 520 05 1
53	6 31 34 530 05 1
54	6 31 34 540 05 1
56	6 31 34 560 05 1
57	6 31 34 570 05 1
58	6 31 34 580 05 1
59	6 31 34 590 05 1
60	6 31 34 600 05 1



HSS Nova 50 core bit with 3/4" Weldon holder
Industrial standard. Metric dimensions, cutting depth 50 mm.

Bore Ø mm	Part number
12	6 31 34 120 05 2
13	6 31 34 130 05 2
14	6 31 34 140 05 2
15	6 31 34 150 05 2
16	6 31 34 160 05 2
17	6 31 34 170 05 2
18	6 31 34 180 05 2
19	6 31 34 190 05 2
20	6 31 34 200 05 2
21	6 31 34 210 05 2
22	6 31 34 220 05 2
23	6 31 34 230 05 2
24	6 31 34 240 05 2
25	6 31 34 250 05 2
26	6 31 34 260 05 2
27	6 31 34 270 05 2
28	6 31 34 280 05 2
29	6 31 34 290 05 2
30	6 31 34 300 05 2
31	6 31 34 310 05 2
32	6 31 34 320 05 2
33	6 31 34 330 05 2
34	6 31 34 340 05 2
35	6 31 34 350 05 2
36	6 31 34 360 05 2
37	6 31 34 370 05 2
38	6 31 34 380 05 2
39	6 31 34 390 05 2

40	6 31 34 400 05 2
41	6 31 34 410 05 2
42	6 31 34 420 05 2
43	6 31 34 430 05 2
44	6 31 34 440 05 2
45	6 31 34 450 05 2
46	6 31 34 460 05 2
47	6 31 34 470 05 2
48	6 31 34 480 05 2
49	6 31 34 490 05 2
50	6 31 34 500 05 2
51	6 31 34 510 05 2
52	6 31 34 520 05 2
53	6 31 34 530 05 2
54	6 31 34 540 05 2
56	6 31 34 560 05 2
57	6 31 34 570 05 2
58	6 31 34 580 05 2
59	6 31 34 590 05 2
60	6 31 34 600 05 2



HSS Nova 75 core bit with 3/4" Weldon holder
Industrial standard. Metric dimensions, cutting depth 75 mm.

Bore Ø mm	Part number
19	6 31 34 190 05 3
20	6 31 34 200 05 3
21	6 31 34 210 05 3
22	6 31 34 220 05 3
23	6 31 34 230 05 3
24	6 31 34 240 05 3
25	6 31 34 250 05 3
26	6 31 34 260 05 3
27	6 31 34 270 05 3
28	6 31 34 280 05 3
29	6 31 34 290 05 3
30	6 31 34 300 05 3
32	6 31 34 320 05 3
35	6 31 34 350 05 3
36	6 31 34 360 05 3
40	6 31 34 400 05 3
45	6 31 34 450 05 3
50	6 31 34 500 05 3
60	6 31 34 600 05 3



HSS DURA 25 core bit with 3/4" Weldon holder

TiN surface coating for outstanding service lives and the best glide properties.
Metric dimensions, cutting depth 25 mm.

Bore Ø mm	Part number
12	6 31 34 120 07 5
13	6 31 34 130 07 5
14	6 31 34 140 07 5
15	6 31 34 150 07 5
16	6 31 34 160 07 5
17	6 31 34 170 07 5
18	6 31 34 180 07 5
19	6 31 34 190 07 5
20	6 31 34 200 07 5
21	6 31 34 210 07 5
22	6 31 34 220 07 5
23	6 31 34 230 07 5
24	6 31 34 240 07 5
25	6 31 34 250 07 5
26	6 31 34 260 07 5
27	6 31 34 270 07 5
28	6 31 34 280 07 5
29	6 31 34 290 07 5
30	6 31 34 300 07 5
31	6 31 34 310 07 5
32	6 31 34 320 07 5
33	6 31 34 330 07 5
34	6 31 34 340 07 5
35	6 31 34 350 07 5
36	6 31 34 360 07 5
37	6 31 34 370 07 5
38	6 31 34 380 07 5
39	6 31 34 390 07 5
40	6 31 34 400 07 5
41	6 31 34 410 07 5
42	6 31 34 420 07 5
43	6 31 34 430 07 5
44	6 31 34 440 07 5
45	6 31 34 450 07 5
46	6 31 34 460 07 5
47	6 31 34 470 07 5
48	6 31 34 480 07 5
49	6 31 34 490 07 5
50	6 31 34 500 07 5
51	6 31 34 510 07 5
52	6 31 34 520 07 5
53	6 31 34 530 07 5
54	6 31 34 540 07 5
55	6 31 34 550 07 5
56	6 31 34 560 07 5
57	6 31 34 570 07 5
58	6 31 34 580 07 5
59	6 31 34 590 07 5
60	6 31 34 600 07 5



HSS DURA 50 core bit with 3/4" Weldon holder

TiN surface coating for outstanding service lives and the best glide properties.
Metric dimensions, cutting depth 50 mm.

Bore Ø mm	Part number
12	6 31 34 120 07 6
13	6 31 34 130 07 6
14	6 31 34 140 07 6
15	6 31 34 150 07 6
16	6 31 34 160 07 6
17	6 31 34 170 07 6
18	6 31 34 180 07 6
19	6 31 34 190 07 6
20	6 31 34 200 07 6
21	6 31 34 210 07 6
22	6 31 34 220 07 6
23	6 31 34 230 07 6
24	6 31 34 240 07 6
25	6 31 34 250 07 6
26	6 31 34 260 07 6
27	6 31 34 270 07 6
28	6 31 34 280 07 6
29	6 31 34 290 07 6
30	6 31 34 300 07 6
31	6 31 34 310 07 6
32	6 31 34 320 07 6
33	6 31 34 330 07 6
34	6 31 34 340 07 6
35	6 31 34 350 07 6
36	6 31 34 360 07 6
37	6 31 34 370 07 6
38	6 31 34 380 07 6
39	6 31 34 390 07 6
40	6 31 34 400 07 6
41	6 31 34 410 07 6
42	6 31 34 420 07 6
43	6 31 34 430 07 6
44	6 31 34 440 07 6
45	6 31 34 450 07 6
46	6 31 34 460 07 6
47	6 31 34 470 07 6
48	6 31 34 480 07 6
49	6 31 34 490 07 6
50	6 31 34 500 07 6
51	6 31 34 510 07 6
52	6 31 34 520 07 6
53	6 31 34 530 07 6
54	6 31 34 540 07 6
55	6 31 34 550 07 6
56	6 31 34 560 07 6
57	6 31 34 570 07 6
58	6 31 34 580 07 6
59	6 31 34 590 07 6
60	6 31 34 600 07 6



TCT Ultra 35 core bit with 3/4" Weldon holder
Very long service life and outstanding cutting performance.
Metric dimensions, cutting depth 35 mm.

Bore Ø

mm	Part number
12	6 31 27 714 01 0
13	6 31 27 715 01 0
14	6 31 27 716 01 0
15	6 31 27 717 01 0
16	6 31 27 718 01 0
17	6 31 27 719 01 0
18	6 31 27 720 01 0
19	6 31 27 721 01 0
20	6 31 27 722 01 0
21	6 31 27 723 01 0
22	6 31 27 724 01 0
23	6 31 27 725 01 0
24	6 31 27 726 01 0
25	6 31 27 727 01 0
26	6 31 27 728 01 0
27	6 31 27 729 01 0
28	6 31 27 730 01 0
29	6 31 27 731 01 0
30	6 31 27 732 01 0
31	6 31 27 733 01 0
32	6 31 27 734 01 0
33	6 31 27 735 01 0
34	6 31 27 736 01 0
35	6 31 27 737 01 0
36	6 31 27 738 01 0
37	6 31 27 739 01 0
38	6 31 27 740 01 0
39	6 31 27 741 01 0
40	6 31 27 742 01 0
41	6 31 27 743 01 0
42	6 31 27 744 01 0
43	6 31 27 745 01 0
44	6 31 27 746 01 0
45	6 31 27 747 01 0
46	6 31 27 748 01 0
47	6 31 27 749 01 0
48	6 31 27 750 01 0
49	6 31 27 751 01 0
50	6 31 27 752 01 0
51	6 31 27 753 01 0
52	6 31 27 754 01 0
53	6 31 27 755 01 0
54	6 31 27 756 01 0
55	6 31 27 757 01 0
56	6 31 27 758 01 0
57	6 31 27 759 01 0
58	6 31 27 760 01 0
59	6 31 27 761 01 0
60	6 31 27 762 01 0

Centering pins


Centering pins

L mm	Part number
80	3 02 17 359 00 0
100	3 02 17 358 00 0
125	3 02 17 333 00 3

Clamping fixtures



Vacuum plate

for anti-magnetic materials and structured bases
(corrugated sheet, stud plate etc.)
Vacuum plate 396 x 200 x 95 mm

Part number
9 26 02 057 01 7



Vacuum pump

Suction rate 0,015 m³/min, -0,8 bar, 92 W, weight 2,5 kg
including suction hose

Part number
9 26 01 022 01 3



Suction plate

for anti-magnetic materials, 250 x 330 x 110 mm

Part number
9 26 02 054 01 6



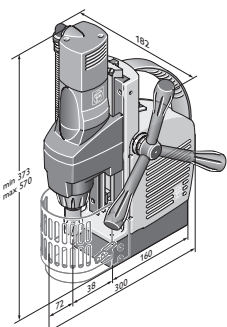
Pipe drilling device

incl. clamping strap, for positioning bores on pipes
with pipe Ø of 60 to 300 mm, 220 x 130 mm.

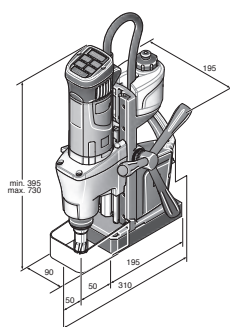
Part number
9 26 02 055 01 0



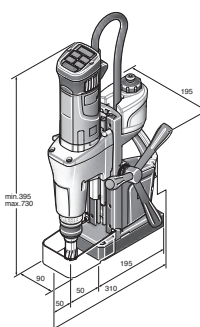
	KBM 32 Q	KBM 50 Q	KBM 50 U	
	Compact with high mobility for installation jobs.	Lightweight and incredibly easy to use, with 2-speed gearbox for efficient drilling in the workshop and on the construction site.	Universal with 2-speed gearbox and maximum functionality for flexible working in the workshop and on the construction site.	
Page	160	160	161	
Application	Core drilling in metal with a Ø up to 32 mm	▲▲	▲▲	▲▲
	Core drilling in metal with a Ø up to 50 mm		▲▲	▲▲
	Core drilling in metal with a Ø up to 65 mm			
	Core drilling in metal with a Ø up to 80 mm			
	Twist drills with drill chuck (DIN 338)	▲▲	▲▲	▲▲
	Twist drills with MK fitting (DIN 345)			▲▲
	Tapping	▲ ¹	▲▲	▲▲
	Countersinking		▲	▲▲
	Reaming		▲	▲▲
	Fully-automatic drilling			
	Working one-handed		▲▲	▲▲
Working overhead	▲▲	▲▲	▲▲	
Installation work	▲▲	▲▲	▲▲	
Workshop jobs	▲▲	▲▲	▲▲	
Equipment	Electronic magnetic holding force	●	●	●
	Magnetic holding force display		●	●
	Automatic drill feed			
	Reversible rotation		●	●
	Variable speed control		●	●
	Memory function		●	●
	Speed-controlled electronics (tacho)		●	●
Technical features	Torque slipping clutch			
	Carbide core drill bit max. diameter (mm)	32	50	50
	HSS core drill max. Ø (mm)	32	40	40
	Core drill, drilling depth max. (mm)	50	50	50(75*)
	Twist drill max. Ø (mm)	13	16	23
	Tapping	M 12*	M 16	M 16
	Countersinking max. Ø (mm)		31	50
	Reaming max. Ø (mm)		16	23
	Input (W)	700	1 200	1 200
	Output (W)	450	640	610
	Speed, no load (rpm)	550		
	Speed, full load (rpm)	440		
	1st gear (rpm)		130-260	130-260
	2nd gear (rpm)		260-520	260-520
	3rd gear (rpm)			
	Core drill holder	QuickIN	QuickIN (3/4" Weldon: AU, CA, US, UK)	QuickIN (3/4" Weldon: AU, CA, US, UK)
	Tool Holder			MK 3
	Stroke (mm)	135	145	145
	Total stroke range (mm)	260	315	315
	Adjustment range for drill jigs (mm)			
Swivel range for drill jigs				
Magnetic holding power (N)	9 000	12 500	12 500	
Magnetic foot dimensions (mm)	160 x 80	195 x 90	195 x 90	
Cable with plug (m)	4	4	4	
Weight according to EPTA (kg)	10,5	13,2	13,9	



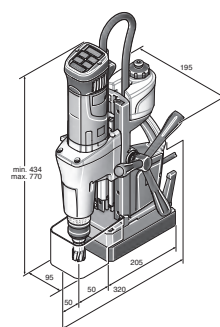
KBM 32 Q



KBM 50 Q



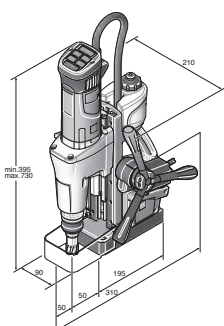
KBM 50 U



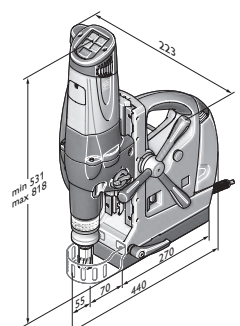
KBM 65 U

KBM 50 auto	KBM 65 U	KBM 80 U	KBM 80 auto
Lightweight and clever, fully automatic 2-speed tool. Saves time and money in the workshop and on the construction site.	Powerful with 2-speed gearbox and maximum functionality for universal and efficient working in the workshop.	Powerful with 3-speed gearbox and maximum functionality for universal and efficient working in the workshop.	High-power and clever, fully automatic 3-speed tool for maximum efficiency in the workshop.
161	162	171	171
▲▲	▲▲	▲▲	▲▲
▲▲	▲▲	▲▲	▲▲
	▲▲	▲▲	▲▲
▲▲	▲▲	▲▲	▲▲
▲▲	▲▲	▲▲	▲▲
▲▲	▲▲	▲▲	▲▲
▲▲	▲▲	▲▲	▲▲
▲▲	▲▲	▲▲	▲▲
▲▲	▲▲	▲▲	▲▲
▲▲	▲▲	▲▲	▲▲
▲▲	▲▲	▲▲	▲▲
●	●	●	●
●	●	●	●
●	●	●	●
●	●	●	●
●	●	●	●
●	●	●	●
●	●	●	●
●	●	●	●
50	65	80	80
40	45	65	65
50(75*)	50(75*)	50	50
18/23**	25	32	18/32**
M 16**	M 20	M 27	M 27**
50**	50	50	50**
23**	25	31	31**
1 200	1 300	2 000	2 000
610	730	900	900
130-260	120-240	110-180	110-180
260-520	260-520	160-260	160-260
		350-580	350-580
QuickIN (3/4" Weldon: AU, CA, US, UK)	QuickIN (3/4" Weldon: AU, CA, US, UK)	QuickIN/QuickIN MAX	QuickIN/QuickIN MAX
MK 3	MK 3	MK 3	MK 3
145	145	145	145
315	315	285	285
	± 6	± 4,25	± 4,25
	± 7°	± 11°	± 11°
12 500	14 000	18 000	18 000
195 x 90	205 x 95	270 x 90	270 x 90
4	4	4	4
16,2	16,1	25,4	26,4

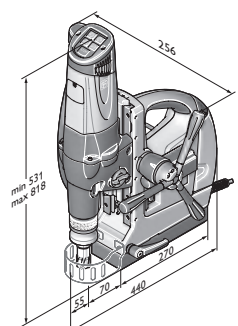
Metal core drilling



KBM 50 auto



KBM 80 U



KBM 80 auto

- ▲ suitability
 - ▲▲ optimal suitability
 - included
- 1 with tapping unit only
* also available with accessories
** in manual tool mode only

KBM 32 Q

Compact with high mobility for installation jobs.



For accessories, see page 162

Carbide core drill bit max. diameter	mm	32
HSS core drill max. Ø	mm	32
Core drill, drilling depth max.	mm	50
Twist drill max. Ø	mm	13
Tapping		M 12*
Input	W	700
Output	W	450
Speed, no load	rpm	550
Speed, full load	rpm	440
Core drill holder		QuickIN
Stroke	mm	135
Total stroke range	mm	260
Magnetic holding power	N	9 000
Magnetic foot dimensions	mm	160 x 80
Cable with plug	m	4
Weight according to EPTA	kg	10,5
Part number		7 270 27 00 23 5
EAN		4014586850771

FEIN benefits:

- ▶ Small and extremely light, with excellent handling for vertical and overhead use.
- ▶ QuickIN rapid change system for fast, keyless tool changes.
- ▶ Double drill motor guide for use with very large drilling tools.
- ▶ FEIN high-power motor with stable speed.
- ▶ High magnetic holding force.
- ▶ Internal cooling.
- ▶ *Also available with accessories.

Price includes:

1 case, 1 cooling lubricant pump, 1 lashing strap, 1 centering pin, 1 contact guard

KBM 50 Q

Lightweight and incredibly easy to use, with 2-speed gearbox for efficient drilling in the workshop and on the construction site.



For accessories, see page 162

Carbide core drill bit max. diameter	mm	50
HSS core drill max. Ø	mm	40
Core drill, drilling depth max.	mm	50
Twist drill max. Ø	mm	16
Tapping		M 16
Countersinking max. Ø	mm	31
Reaming max. Ø	mm	16
Input	W	1 200
Output	W	640
Speed, full load		
1st gear	rpm	130-260
2nd gear	rpm	260-520
Core drill holder		QuickIN (3/4" Weldon: AU, CA, US, UK)
Stroke	mm	145
Total stroke range	mm	315
Magnetic holding power	N	12 500
Magnetic foot dimensions	mm	195 x 90
Cable with plug	m	4
Weight according to EPTA	kg	13,2
Part number		7 270 41 61 00 0
EAN		4014586872834

FEIN benefits:

- ▶ Compact with high functionality for universal use on construction site and in the workshop.
- ▶ Simple operating concept avoids mix-ups and can be clearly seen by the user.
- ▶ Double drill motor guide for use with very large drilling tools.
- ▶ Reversible rotation.
- ▶ Electronic speed setting.
- ▶ FEIN high-power motor with stable speed.
- ▶ High magnetic holding force.
- ▶ Convenient magnetic holding force display.
- ▶ Integrated coolant tank.
- ▶ Feed handwheel can be moved from one side to the other.

Price includes:

1 case, 1 coolant tank, 1 lashing strap, 1 swarf hook, 1 centering pin, 1 contact guard

**KBM 50 U**

Universal with 2-speed gearbox and maximum functionality for flexible working in the workshop and on the construction site.



For accessories, see page 162

Carbide core drill bit max. diameter	mm	50
HSS core drill max. Ø	mm	40
Core drill, drilling depth max.	mm	50(75*)
Twist drill max. Ø	mm	23
Tapping		M 16
Countersinking max. Ø	mm	50
Reaming max. Ø	mm	23
Input	W	1 200
Output	W	610
Speed, full load		
1st gear	rpm	130-260
2nd gear	rpm	260-520
Core drill holder		QuickIN (3/4" Weldon: AU, CA, US, UK)
Tool Holder		MK 3
Stroke	mm	145
Total stroke range	mm	315
Magnetic holding power	N	12 500
Magnetic foot dimensions	mm	195 x 90
Cable with plug	m	4
Weight according to EPTA	kg	13,9
Part number		7 270 40 61 00 0
EAN		4014586872995

FEIN benefits:

- ▶ Compact with high functionality for universal use on construction site and in the workshop.
- ▶ Simple operating concept avoids mix-ups and can be clearly seen by the user.
- ▶ Double drill motor guide for use with very large drilling tools.
- ▶ Reversible rotation.
- ▶ Electronic speed setting.
- ▶ FEIN high-power motor with stable speed.
- ▶ High magnetic holding force.
- ▶ Convenient magnetic holding force display.
- ▶ Integrated coolant tank.
- ▶ Feed handwheel can be moved from one side to the other.
- ▶ MT3 interface.
- ▶ * Also available with accessories.

Price includes:

- 1 case, 1 coolant tank, 1 lashing strap, 1 swarf hook, 1 centering pin, 1 contact guard, 1 drift key

KBM 50 auto

Lightweight and clever, fully automatic 2-speed tool. Saves time and money in the workshop and on the construction site.



For accessories, see page 162

Carbide core drill bit max. diameter	mm	50
HSS core drill max. Ø	mm	40
Core drill, drilling depth max.	mm	50(75*)
Twist drill max. Ø	mm	18/23**
Tapping		M 16**
Countersinking max. Ø	mm	50**
Reaming max. Ø	mm	23**
Input	W	1 200
Output	W	610
Speed, full load		
1st gear	rpm	130-260
2nd gear	rpm	260-520
Core drill holder		QuickIN (3/4" Weldon: AU, CA, US, UK)
Tool Holder		MK 3
Stroke	mm	145
Total stroke range	mm	315
Magnetic holding power	N	12 500
Magnetic foot dimensions	mm	195 x 90
Cable with plug	m	4
Weight according to EPTA	kg	16,2
Part number		7 270 42 61 00 0
EAN		4014586874272

FEIN benefits:

- ▶ Saves time and money when producing a large number of holes thanks to the digitally controlled drill feed.
- ▶ Thanks to reproducible and timed drilling times, working hours for commissioned and serial work can be planned.
- ▶ Universal work, such as tapping in manual tool mode thanks to clockwise/anti-clockwise rotation and MT3 interface.
- ▶ FEIN high-power motor with stable speed.
- ▶ Electronic speed setting.
- ▶ High magnetic holding force.
- ▶ Convenient magnetic holding force display.
- ▶ Integrated coolant tank.
- ▶ Tilt sensor.
- ▶ Controls which can be clearly seen.
- ▶ * Also available with accessories.
- ▶ ** In manual tool mode only

Price includes:

- 1 case, 1 coolant tank, 1 lashing strap, 1 swarf hook, 1 centering pin, 1 drift key, 1 contact guard

KBM 65 U

Powerful with 2-speed gearbox and maximum functionality for universal and efficient working in the workshop.



For accessories, see page 162

Carbide core drill bit max. diameter	mm	65
HSS core drill max. Ø	mm	45
Core drill, drilling depth max.	mm	50(75*)
Twist drill max. Ø	mm	25
Tapping		M 20
Countersinking max. Ø	mm	50
Reaming max. Ø	mm	25
Input	W	1 300
Output	W	730
Speed, full load		
1st gear	rpm	120-240
2nd gear	rpm	260-520
Core drill holder		QuickIN (3/4" Weldon: AU, CA, US, UK)
Tool Holder		MK 3
Stroke	mm	145
Total stroke range	mm	315
Adjustment range for drill jigs	mm	± 6
Swivel range for drill jigs		± 7°
Magnetic holding power	N	14 000
Magnetic foot dimensions	mm	205 x 95
Cable with plug	m	4
Weight according to EPTA	kg	16,1
Part number		7 270 43 61 00 0
EAN		4014586872902

FEIN benefits:

- ▶ Speed stability even in tough applications.
- ▶ Fine adjustment of the drill spindle for convenient tool alignment.
- ▶ Double drill motor guide for use with very large drilling tools.
- ▶ Reversible rotation.
- ▶ Electronic speed setting.
- ▶ MT3 interface.
- ▶ High magnetic holding force.
- ▶ Convenient magnetic holding force display.
- ▶ Integrated coolant tank.
- ▶ * Also available with accessories.

Price includes:

- 1 case, 1 coolant tank, 1 lashing strap, 1 swarf hook, 1 centering pin, 1 contact guard, 1 drift key

KBM

Best of core drilling carbide accessory set



Best of core bits QuickIN

Very long service life and outstanding cutting performance. Metric dimensions, cutting depth 35 mm. Set version, consisting of 6 core bits with diameters of 12, 14, 16, 18, 20 and 22 mm (cutting depth 35 mm) and 2 centring pins (105 mm) in plastic case.

Part number
6 31 27 086 04 0



Best of core bits 3/4" Weldon

Very long service life and outstanding cutting performance. Metric dimensions, cutting depth 35 mm. Set version, consisting of 6 core bits with diameters of 12, 14, 16, 18, 20 and 22 mm (cutting depth 35 mm) and 2 centring pins (105 mm) in plastic case.

Part number
6 31 27 714 02 0



Best of core bits 3/4" Weldon

Very long service life and outstanding cutting performance. Metric dimensions, cutting depth 50 mm. Set version, consisting of 6 core bits with diameters of 12, 14, 16, 18, 20 and 22 mm (cutting depth 50 mm) and 2 centring pins (105 mm) in plastic case.

Part number
6 31 27 276 02 0

Carbide core drill



TCT Ultra core bit with QuickIN holder

Very long service life and outstanding cutting performance. Metric dimensions, cutting depth 35 mm.

Bore Ø mm	Part number
12	6 31 27 086 01 9
13	6 31 27 087 01 3
14	6 31 27 088 01 1
15	6 31 27 089 01 5
15,5	6 31 27 238 01 1
16	6 31 27 090 01 7
17	6 31 27 091 01 6
17,5	6 31 27 239 01 5
18	6 31 27 092 01 9
19	6 31 27 093 01 3
19,5	6 31 27 240 01 7
20	6 31 27 094 01 1
21	6 31 27 095 01 5
22	6 31 27 096 01 8
23	6 31 27 097 01 2
24	6 31 27 098 01 0
25	6 31 27 099 01 4
26	6 31 27 100 01 5
26,5	6 31 27 241 01 6
27	6 31 27 101 01 4
28	6 31 27 102 01 7
29	6 31 27 103 01 1
30	6 31 27 104 01 9
31	6 31 27 105 01 3



32	6 31 27 106 01 6
33	6 31 27 107 01 0
34	6 31 27 108 01 8
35	6 31 27 109 01 2
36	6 31 27 110 01 4
37	6 31 27 111 01 3
38	6 31 27 112 01 6
39	6 31 27 113 01 0
40	6 31 27 114 01 8
41	6 31 27 115 01 2
42	6 31 27 116 01 5
43	6 31 27 117 01 9
44	6 31 27 118 01 7
45	6 31 27 119 01 1
46	6 31 27 120 01 3
47	6 31 27 121 01 2
48	6 31 27 122 01 5
49	6 31 27 123 01 9
50	6 31 27 124 01 7
51	6 31 27 125 01 1
52	6 31 27 126 01 4
53	6 31 27 127 01 8
54	6 31 27 128 01 6
55	6 31 27 129 01 0
56	6 31 27 130 01 2
57	6 31 27 131 01 1
58	6 31 27 132 01 4
59	6 31 27 133 01 8
60	6 31 27 134 01 6
61	6 31 27 135 01 0
62	6 31 27 136 01 3
63	6 31 27 137 01 7
64	6 31 27 138 01 5
65	6 31 27 139 01 9



TCT Ultra core bit with QuickIN holder
Very long service life and outstanding cutting performance.
Metric dimensions, cutting depth 75 mm.

Bore Ø mm	Part number
18	6 31 27 763 01 0
19	6 31 27 764 01 0
20	6 31 27 765 01 0
21	6 31 27 766 01 0
22	6 31 27 767 01 0
23	6 31 27 768 01 0
24	6 31 27 769 01 0
25	6 31 27 770 01 0
26	6 31 27 771 01 0
27	6 31 27 772 01 0
28	6 31 27 773 01 0
29	6 31 27 774 01 0
30	6 31 27 775 01 0
32	6 31 27 776 01 0
35	6 31 27 777 01 0
36	6 31 27 778 01 0
40	6 31 27 779 01 0
45	6 31 27 780 01 0
50	6 31 27 781 01 0
55	6 31 27 782 01 0
60	6 31 27 783 01 0
65	6 31 27 784 01 0



TCT Ultra 50 core bit with FEIN thread M 18 x 6 P 1.5
Very long service life and outstanding cutting performance.
Metric dimensions, cutting depth 50 mm.

Bore Ø mm	Part number
12	6 31 27 042 01 4
13	6 31 27 043 01 8
14	6 31 27 044 01 6
15	6 31 27 045 01 0
16	6 31 27 046 01 3
17	6 31 27 047 01 7
18	6 31 27 001 01 5
19	6 31 27 019 01 2
20	6 31 27 002 01 8
21	6 31 27 020 01 4
22	6 31 27 003 01 2
23	6 31 27 021 01 3
24	6 31 27 022 01 6
25	6 31 27 004 01 0
26	6 31 27 005 01 4
27	6 31 27 023 01 0
28	6 31 27 006 01 7
29	6 31 27 024 01 8
30	6 31 27 007 01 1
31	6 31 27 025 01 2
32	6 31 27 008 01 9
33	6 31 27 026 01 5
34	6 31 27 009 01 3
35	6 31 27 010 01 5
36	6 31 27 027 01 9
37	6 31 27 028 01 7
38	6 31 27 011 01 4
39	6 31 27 029 01 1
40	6 31 27 012 01 7
41	6 31 27 030 01 3
42	6 31 27 013 01 1
43	6 31 27 014 01 9
44	6 31 27 031 01 2
45	6 31 27 015 01 3
46	6 31 27 032 01 5
47	6 31 27 033 01 9
48	6 31 27 016 01 6
49	6 31 27 034 01 7
50	6 31 27 017 01 0
51	6 31 27 035 01 1
52	6 31 27 018 01 8
53	6 31 27 036 01 4
54	6 31 27 037 01 8
55	6 31 27 038 01 6
56	6 31 27 039 01 0
57	6 31 27 040 01 2
58	6 31 27 041 01 1
59	6 31 27 049 01 9
60	6 31 27 050 01 1
61	6 31 27 051 01 0
62	6 31 27 052 01 3
63	6 31 27 053 01 7
64	6 31 27 054 01 5
65	6 31 27 055 01 9



TCT Ultra 35 core bit with 3/4" Weldon holder
 Very long service life and outstanding cutting performance.
 Metric dimensions, cutting depth 35 mm.

Bore Ø mm	Part number
12	6 31 27 714 01 0
13	6 31 27 715 01 0
14	6 31 27 716 01 0
15	6 31 27 717 01 0
16	6 31 27 718 01 0
17	6 31 27 719 01 0
18	6 31 27 720 01 0
19	6 31 27 721 01 0
20	6 31 27 722 01 0
21	6 31 27 723 01 0
22	6 31 27 724 01 0
23	6 31 27 725 01 0
24	6 31 27 726 01 0
25	6 31 27 727 01 0
26	6 31 27 728 01 0
27	6 31 27 729 01 0
28	6 31 27 730 01 0
29	6 31 27 731 01 0
30	6 31 27 732 01 0
31	6 31 27 733 01 0
32	6 31 27 734 01 0
33	6 31 27 735 01 0
34	6 31 27 736 01 0
35	6 31 27 737 01 0
36	6 31 27 738 01 0
37	6 31 27 739 01 0
38	6 31 27 740 01 0
39	6 31 27 741 01 0
40	6 31 27 742 01 0
41	6 31 27 743 01 0
42	6 31 27 744 01 0
43	6 31 27 745 01 0
44	6 31 27 746 01 0
45	6 31 27 747 01 0
46	6 31 27 748 01 0
47	6 31 27 749 01 0
48	6 31 27 750 01 0
49	6 31 27 751 01 0
50	6 31 27 752 01 0
51	6 31 27 753 01 0
52	6 31 27 754 01 0
53	6 31 27 755 01 0
54	6 31 27 756 01 0
55	6 31 27 757 01 0
56	6 31 27 758 01 0
57	6 31 27 759 01 0
58	6 31 27 760 01 0
59	6 31 27 761 01 0
60	6 31 27 762 01 0



TCT Ultra 50 core bit with 3/4" Weldon holder
 Very long service life and outstanding cutting performance.
 Metric dimensions, cutting depth 50 mm.

Bore Ø mm	Part number
12	6 31 27 276 01 0
13	6 31 27 277 01 0
14	6 31 27 278 01 0
15	6 31 27 279 01 0
16	6 31 27 280 01 0
17	6 31 27 281 01 0
18	6 31 27 282 01 0
19	6 31 27 283 01 0
20	6 31 27 284 01 0
21	6 31 27 285 01 0
22	6 31 27 286 01 0
23	6 31 27 287 01 0
24	6 31 27 288 01 0
25	6 31 27 289 01 0
26	6 31 27 290 01 0
27	6 31 27 291 01 0
28	6 31 27 292 01 0
29	6 31 27 293 01 0
30	6 31 27 294 01 0
31	6 31 27 295 01 0
32	6 31 27 296 01 0
33	6 31 27 297 01 0
34	6 31 27 298 01 0
35	6 31 27 299 01 0
36	6 31 27 300 01 0
37	6 31 27 301 01 0
38	6 31 27 302 01 0
39	6 31 27 303 01 0
40	6 31 27 304 01 0
41	6 31 27 305 01 0
42	6 31 27 306 01 0
43	6 31 27 307 01 0
44	6 31 27 308 01 0
45	6 31 27 309 01 0
46	6 31 27 310 01 0
47	6 31 27 311 01 0
48	6 31 27 312 01 0
49	6 31 27 313 01 0
50	6 31 27 314 01 0
51	6 31 27 315 01 0
52	6 31 27 316 01 0
53	6 31 27 317 01 0
54	6 31 27 318 01 0
55	6 31 27 319 01 0
56	6 31 27 320 01 0
57	6 31 27 321 01 0
58	6 31 27 322 01 0
59	6 31 27 323 01 0
60	6 31 27 324 01 0
61	6 31 27 325 01 0
62	6 31 27 326 01 0
63	6 31 27 327 01 0
64	6 31 27 328 01 0
65	6 31 27 329 01 0



TCT Ultra 75 core bit with 3/4" Weldon holder
Very long service life and outstanding cutting performance.
Metric dimensions, cutting depth 75 mm.

Bore Ø mm	Part number
18	6 31 27 785 01 0
19	6 31 27 786 01 0
20	6 31 27 787 01 0
21	6 31 27 788 01 0
22	6 31 27 789 01 0
23	6 31 27 790 01 0
24	6 31 27 791 01 0
25	6 31 27 792 01 0
26	6 31 27 793 01 0
27	6 31 27 794 01 0
28	6 31 27 795 01 0
29	6 31 27 796 01 0
30	6 31 27 797 01 0
32	6 31 27 798 01 0
35	6 31 27 799 01 0
36	6 31 27 800 01 0
40	6 31 27 801 01 0
45	6 31 27 802 01 0
50	6 31 27 803 01 0
55	6 31 27 804 01 0
60	6 31 27 805 01 0
65	6 31 27 806 01 0

Best of core drilling HSS accessory set



Best of core bits QuickIN
Industrial standard. Metric dimensions, cutting depth 50 mm.
Set version, consisting of 6 core bits with diameters of 12, 14, 16, 18, 20 and 22 mm (cutting depth 50 mm) and 2 centring pins (105 mm) in plastic case.

Part number
6 31 33 999 01 0



Best of core bits 3/4" Weldon
Industrial standard. Metric dimensions, cutting depth 25 mm.
Set version, consisting of 6 core bits with diameters of 12, 14, 16, 18, 20 and 22 mm (cutting depth 25 mm) and 2 centring pins (80 mm) in plastic case.

Part number
6 31 34 999 06 1



Best of core bits 3/4" Weldon
Industrial standard. Metric dimensions, cutting depth 25 mm.
Set version, consisting of 4 core bits, 2x 14 mm diameter, 2x 18 mm diameter, (cutting depth 25 mm) and 1 centring pin (80 mm) in plastic case.

Part number
6 31 34 999 06 2



Best of core bits 3/4" Weldon
Industrial standard. Metric dimensions, cutting depth 50 mm.
Set version, consisting of 6 core bits with diameters of 12, 14, 16, 18, 20 and 22 mm (cutting depth 50 mm) and 2 centring pins (105 mm) in plastic case.

Part number
6 31 34 999 06 3



Best of core bits 3/4" Weldon
Industrial standard. Metric dimensions, cutting depth 50 mm.
Set version, consisting of 4 core bits, 2x 14 mm diameter, 2x 18 mm diameter, (cutting depth 50 mm) and 1 centring pin (105 mm) in plastic case.

Part number
6 31 34 999 06 4

HSS core drill



HSS Nova 25 core bit with QuickIN holder
Industrial standard. Metric dimensions, cutting depth 25 mm.

Bore Ø mm	Part number
12	6 31 33 119 05 1
13	6 31 33 129 05 1
14	6 31 33 140 05 1
15	6 31 33 150 05 1
16	6 31 33 159 05 1
17	6 31 33 170 05 1
18	6 31 33 180 05 1
19	6 31 33 189 05 1
20	6 31 33 199 06 3
21	6 31 33 210 05 1
22	6 31 33 219 05 1
23	6 31 33 229 05 1
24	6 31 33 240 05 1
25	6 31 33 250 05 1
26	6 31 33 259 05 1
27	6 31 33 270 05 1
28	6 31 33 279 05 1
29	6 31 33 289 05 1
30	6 31 33 299 05 1
31	6 31 33 309 05 1
32	6 31 33 319 05 1
33	6 31 33 329 05 1
34	6 31 33 339 05 1
35	6 31 33 350 05 1
36	6 31 33 359 05 1
37	6 31 33 369 05 1
38	6 31 33 379 05 1
39	6 31 33 389 05 1
40	6 31 33 399 05 1
41	6 31 33 409 05 1
42	6 31 33 420 05 1
43	6 31 33 429 05 1
44	6 31 33 439 05 1
45	6 31 33 449 05 1
46	6 31 33 459 05 1
47	6 31 33 469 05 1
48	6 31 33 479 05 1
49	6 31 33 489 05 1
50	6 31 33 499 05 1



HSS Nova 50 core bit with QuickIN holder
Industrial standard. Metric dimensions, cutting depth 50 mm.

Bore Ø mm	Part number
12	6 31 33 119 05 2
13	6 31 33 129 05 2
14	6 31 33 140 05 2
15	6 31 33 150 05 2
16	6 31 33 159 05 2
17	6 31 33 170 05 2
18	6 31 33 180 05 2
19	6 31 33 189 05 2
20	6 31 33 199 05 2
21	6 31 33 210 05 2
22	6 31 33 219 05 2
23	6 31 33 229 05 2
24	6 31 33 240 05 2
25	6 31 33 250 05 2
26	6 31 33 259 05 2
27	6 31 33 270 05 2
28	6 31 33 279 05 2
29	6 31 33 289 05 2
30	6 31 33 299 05 2
31	6 31 33 309 05 2
32	6 31 33 319 05 2
33	6 31 33 329 05 2
34	6 31 33 339 05 2
35	6 31 33 350 05 2
36	6 31 33 359 05 2
37	6 31 33 369 05 2
38	6 31 33 379 05 2
39	6 31 33 389 05 2
40	6 31 33 399 05 2
41	6 31 33 409 05 2
42	6 31 33 420 05 2
43	6 31 33 429 05 2
44	6 31 33 439 05 2
45	6 31 33 449 05 2
46	6 31 33 459 05 2
47	6 31 33 469 05 2
48	6 31 33 479 05 2
49	6 31 33 489 05 2
50	6 31 33 499 05 2



HSS Nova 25 core bit with 3/4\"/>

Bore Ø mm	Part number
12	6 31 34 120 05 1
13	6 31 34 130 05 1
14	6 31 34 140 05 1
15	6 31 34 150 05 1
16	6 31 34 160 05 1
17	6 31 34 170 05 1
18	6 31 34 180 05 1
19	6 31 34 190 05 1
20	6 31 34 200 05 1
21	6 31 34 210 05 1
22	6 31 34 220 05 1
23	6 31 34 230 05 1
24	6 31 34 240 05 1
25	6 31 34 250 05 1
26	6 31 34 260 05 1
27	6 31 34 270 05 1
28	6 31 34 280 05 1
29	6 31 34 290 05 1

30	6 31 34 300 05 1
31	6 31 34 310 05 1
32	6 31 34 320 05 1
33	6 31 34 330 05 1
34	6 31 34 340 05 1
35	6 31 34 350 05 1
36	6 31 34 360 05 1
37	6 31 34 370 05 1
38	6 31 34 380 05 1
39	6 31 34 390 05 1
40	6 31 34 400 05 1
41	6 31 34 410 05 1
42	6 31 34 420 05 1
43	6 31 34 430 05 1
44	6 31 34 440 05 1
45	6 31 34 450 05 1
46	6 31 34 460 05 1
47	6 31 34 470 05 1
48	6 31 34 480 05 1
49	6 31 34 490 05 1
50	6 31 34 500 05 1
51	6 31 34 510 05 1
52	6 31 34 520 05 1
53	6 31 34 530 05 1
54	6 31 34 540 05 1
56	6 31 34 560 05 1
57	6 31 34 570 05 1
58	6 31 34 580 05 1
59	6 31 34 590 05 1
60	6 31 34 600 05 1



HSS Nova 50 core bit with 3/4\"/>

Bore Ø mm	Part number
12	6 31 34 120 05 2
13	6 31 34 130 05 2
14	6 31 34 140 05 2
15	6 31 34 150 05 2
16	6 31 34 160 05 2
17	6 31 34 170 05 2
18	6 31 34 180 05 2
19	6 31 34 190 05 2
20	6 31 34 200 05 2
21	6 31 34 210 05 2
22	6 31 34 220 05 2
23	6 31 34 230 05 2
24	6 31 34 240 05 2
25	6 31 34 250 05 2
26	6 31 34 260 05 2
27	6 31 34 270 05 2
28	6 31 34 280 05 2
29	6 31 34 290 05 2
30	6 31 34 300 05 2
31	6 31 34 310 05 2
32	6 31 34 320 05 2
33	6 31 34 330 05 2
34	6 31 34 340 05 2
35	6 31 34 350 05 2
36	6 31 34 360 05 2
37	6 31 34 370 05 2
38	6 31 34 380 05 2
39	6 31 34 390 05 2
40	6 31 34 400 05 2
41	6 31 34 410 05 2
42	6 31 34 420 05 2
43	6 31 34 430 05 2



44	6 31 34 440 05 2
45	6 31 34 450 05 2
46	6 31 34 460 05 2
47	6 31 34 470 05 2
48	6 31 34 480 05 2
49	6 31 34 490 05 2
50	6 31 34 500 05 2
51	6 31 34 510 05 2
52	6 31 34 520 05 2
53	6 31 34 530 05 2
54	6 31 34 540 05 2
56	6 31 34 560 05 2
57	6 31 34 570 05 2
58	6 31 34 580 05 2
59	6 31 34 590 05 2
60	6 31 34 600 05 2



HSS Nova 75 core bit with 3/4" Weldon holder
Industrial standard. Metric dimensions, cutting depth 75 mm.

Bore Ø mm	Part number
19	6 31 34 190 05 3
20	6 31 34 200 05 3
21	6 31 34 210 05 3
22	6 31 34 220 05 3
23	6 31 34 230 05 3
24	6 31 34 240 05 3
25	6 31 34 250 05 3
26	6 31 34 260 05 3
27	6 31 34 270 05 3
28	6 31 34 280 05 3
29	6 31 34 290 05 3
30	6 31 34 300 05 3
32	6 31 34 320 05 3
35	6 31 34 350 05 3
36	6 31 34 360 05 3
40	6 31 34 400 05 3
45	6 31 34 450 05 3
50	6 31 34 500 05 3
60	6 31 34 600 05 3



HSS DURA 25 core bit with QuickIN holder
TiN surface coating for outstanding service lives and the best glide properties.
Metric dimensions, cutting depth 25 mm.

Bore Ø mm	Part number
12	6 31 33 120 06 7
13	6 31 33 130 06 7
14	6 31 33 140 06 7
15	6 31 33 150 06 7
16	6 31 33 160 06 7
17	6 31 33 170 06 7
18	6 31 33 180 06 7
19	6 31 33 190 06 7
20	6 31 33 200 06 7
21	6 31 33 210 06 7
22	6 31 33 220 06 7
23	6 31 33 230 06 7
24	6 31 33 240 06 7
25	6 31 33 250 06 7
26	6 31 33 260 06 7
27	6 31 33 270 06 7
28	6 31 33 280 06 7
29	6 31 33 290 06 7
30	6 31 33 300 06 7
31	6 31 33 310 06 7
32	6 31 33 320 06 7

33	6 31 33 330 06 7
34	6 31 33 340 06 7
35	6 31 33 350 06 7
36	6 31 33 360 06 7
37	6 31 33 370 06 7
38	6 31 33 380 06 7
39	6 31 33 390 06 7
40	6 31 33 400 06 7
41	6 31 33 410 06 7
42	6 31 33 420 06 7
43	6 31 33 430 06 7
44	6 31 33 440 06 7
45	6 31 33 450 06 7
46	6 31 33 460 06 7
47	6 31 33 470 06 7
48	6 31 33 480 06 7
49	6 31 33 490 06 7
50	6 31 33 500 06 7



HSS DURA 50 core bit with QuickIN holder
TiN surface coating for outstanding service lives and the best glide properties.
Metric dimensions, cutting depth 50 mm.

Bore Ø mm	Part number
12	6 31 33 120 06 8
13	6 31 33 130 06 8
14	6 31 33 140 06 8
15	6 31 33 150 06 8
16	6 31 33 160 06 8
17	6 31 33 170 06 8
18	6 31 33 180 06 8
19	6 31 33 190 06 8
20	6 31 33 200 06 8
21	6 31 33 210 06 8
22	6 31 33 220 06 8
23	6 31 33 230 06 8
24	6 31 33 240 06 8
25	6 31 33 250 06 8
26	6 31 33 260 06 8
27	6 31 33 270 06 8
28	6 31 33 280 06 8
29	6 31 33 290 06 8
30	6 31 33 300 06 8
31	6 31 33 310 06 8
32	6 31 33 320 06 8
33	6 31 33 330 06 8
34	6 31 33 340 06 8
35	6 31 33 350 06 8
36	6 31 33 360 06 8
37	6 31 33 370 06 8
38	6 31 33 380 06 8
39	6 31 33 390 06 8
40	6 31 33 400 06 8
41	6 31 33 410 06 8
42	6 31 33 420 06 8
43	6 31 33 430 06 8
44	6 31 33 440 06 8
45	6 31 33 450 06 8
46	6 31 33 460 06 8
47	6 31 33 470 06 8
48	6 31 33 480 06 8
49	6 31 33 490 06 8
50	6 31 33 500 06 8



HSS DURA 25 core bit with 3/4" Weldon holder

TiN surface coating for outstanding service lives and the best glide properties.

Metric dimensions, cutting depth 25 mm.

Bore Ø mm	Part number
12	6 31 34 120 07 5
13	6 31 34 130 07 5
14	6 31 34 140 07 5
15	6 31 34 150 07 5
16	6 31 34 160 07 5
17	6 31 34 170 07 5
18	6 31 34 180 07 5
19	6 31 34 190 07 5
20	6 31 34 200 07 5
21	6 31 34 210 07 5
22	6 31 34 220 07 5
23	6 31 34 230 07 5
24	6 31 34 240 07 5
25	6 31 34 250 07 5
26	6 31 34 260 07 5
27	6 31 34 270 07 5
28	6 31 34 280 07 5
29	6 31 34 290 07 5
30	6 31 34 300 07 5
31	6 31 34 310 07 5
32	6 31 34 320 07 5
33	6 31 34 330 07 5
34	6 31 34 340 07 5
35	6 31 34 350 07 5
36	6 31 34 360 07 5
37	6 31 34 370 07 5
38	6 31 34 380 07 5
39	6 31 34 390 07 5
40	6 31 34 400 07 5
41	6 31 34 410 07 5
42	6 31 34 420 07 5
43	6 31 34 430 07 5
44	6 31 34 440 07 5
45	6 31 34 450 07 5
46	6 31 34 460 07 5
47	6 31 34 470 07 5
48	6 31 34 480 07 5
49	6 31 34 490 07 5
50	6 31 34 500 07 5
51	6 31 34 510 07 5
52	6 31 34 520 07 5
53	6 31 34 530 07 5
54	6 31 34 540 07 5
55	6 31 34 550 07 5
56	6 31 34 560 07 5
57	6 31 34 570 07 5
58	6 31 34 580 07 5
59	6 31 34 590 07 5
60	6 31 34 600 07 5



HSS DURA 50 core bit with 3/4" Weldon holder

TiN surface coating for outstanding service lives and the best glide properties.

Metric dimensions, cutting depth 50 mm.

Bore Ø mm	Part number
12	6 31 34 120 07 6
13	6 31 34 130 07 6
14	6 31 34 140 07 6
15	6 31 34 150 07 6
16	6 31 34 160 07 6
17	6 31 34 170 07 6
18	6 31 34 180 07 6
19	6 31 34 190 07 6
20	6 31 34 200 07 6
21	6 31 34 210 07 6
22	6 31 34 220 07 6
23	6 31 34 230 07 6
24	6 31 34 240 07 6
25	6 31 34 250 07 6
26	6 31 34 260 07 6
27	6 31 34 270 07 6
28	6 31 34 280 07 6
29	6 31 34 290 07 6
30	6 31 34 300 07 6
31	6 31 34 310 07 6
32	6 31 34 320 07 6
33	6 31 34 330 07 6
34	6 31 34 340 07 6
35	6 31 34 350 07 6
36	6 31 34 360 07 6
37	6 31 34 370 07 6
38	6 31 34 380 07 6
39	6 31 34 390 07 6
40	6 31 34 400 07 6
41	6 31 34 410 07 6
42	6 31 34 420 07 6
43	6 31 34 430 07 6
44	6 31 34 440 07 6
45	6 31 34 450 07 6
46	6 31 34 460 07 6
47	6 31 34 470 07 6
48	6 31 34 480 07 6
49	6 31 34 490 07 6
50	6 31 34 500 07 6
51	6 31 34 510 07 6
52	6 31 34 520 07 6
53	6 31 34 530 07 6
54	6 31 34 540 07 6
55	6 31 34 550 07 6
56	6 31 34 560 07 6
57	6 31 34 570 07 6
58	6 31 34 580 07 6
59	6 31 34 590 07 6
60	6 31 34 600 07 6

Centering pins



L mm	Part number
80	3 02 17 359 00 0
105	3 02 17 332 00 9
125	3 02 17 333 00 3
135	3 02 17 355 00 0



Centering pins
only for 7/16" in HSS NOVA 1" in core drills.

L mm	Part number
85	3 02 17 338 00 0



Centering pins
only for 7/16" in competitor core drill in combination with adapter

L mm	Part number
125	3 02 17 337 00 2

Adapter/drill chuck



QuickIN-adaptor
Output M18 x 6 P 1.5

Part number
6 39 01 020 00 6



QuickIN-adaptor
Output 3/4" Weldon

Part number
6 39 01 021 01 4



QuickIN-adaptor
Special Weldon output. Specially designed for core bits from other manufacturers that have an internal hole of > 6.4 mm.

Part number
6 39 01 024 01 9



Adapter with 3/4" Weldon fitting
for converting competitor products to the QuickIN system.

Part number
6 39 01 027 01 0



Extension
for use on confined, deep, or layered surfaces, through holes possible as of Ø 36 mm. QuickIN fitting, length 100 mm, including centring pin.

Part number
6 31 06 016 01 0



QuickIN-adaptor
Output 1/2"-20 UNF

Part number
6 39 01 022 00 8



QuickIN-adaptor
Output B 16

Part number
6 39 01 023 00 2



Adapter with 3/4" Weldon fitting
Output B 16

Part number
6 39 01 061 00 0



Key-type drill chuck with QuickIN holder

Chuck opening mm	Part number
1,5 - 13	6 39 01 023 00 0
1 - 16	6 39 01 023 01 1



HSS spiral drill with QuickIN fitting
Cutting depth 35 mm

Bore Ø mm	Part number
10,0	6 31 11 009 01 0
10,2	6 31 11 010 01 0
11,0	6 31 11 011 01 0
12,0	6 31 11 012 01 0
13,0	6 31 11 013 01 0
14,0	6 31 11 014 01 0
15,0	6 31 11 015 01 0
15,5	6 31 11 016 01 0

Drive arbors



QuickIN-adaptors
With internal cooling lubricant supply.

Taper	Bore Ø mm	Cutting depth mm	Part number
MK 3	12 - 65	50	6 39 01 048 02 0
MK 3	12 - 65	75	6 39 01 049 02 0



3/4" Weldon mounting shaft
With internal cooling lubricant supply.

Taper	Bore Ø mm	Cutting depth mm	Part number
MK 3	12 - 65	50	6 39 01 050 02 0
MK 3	12 - 65	75	6 39 01 051 02 0



QuickIN-adaptors
for using FEIN core drills on bench and column drilling machines and all other core drilling units with MT fitting.

Taper	Bore Ø mm	Cutting depth mm	Part number
MK 3	12 - 65	50	6 39 01 019 01 3
MT 2	12 - 35	50	6 39 01 018 01 9
MK 3	12 - 65	75	6 39 01 055 02 0
MT 2	12 - 35	75	6 39 01 057 02 0



3/4" Weldon mounting shaft
for using FEIN core drills on bench and column drilling machines and all other core drilling units with MT fitting.

Taper	Bore Ø mm	Cutting depth mm	Part number
MK 3	12 - 65	50	6 39 01 052 02 0
MK 3	12 - 65	75	6 39 01 053 02 0



Retro-fitting kit
for former model KBM 542 to QuickIN rapid change system.

Part number
6 39 01 028 01 8

Tapping



Tapping rapid change chuck for KBM 50 Q, KBM 50 U, KBM 52 U, KBM 65 U
Can only be used for magnetic core drills with reverse running function. Size 2, with 3/4" Weldon fitting, for thread drills, in conjunction with tapping inserts with or without M6 - M20 safety clutch.

Part number
9 26 02 089 01 0



Tapping rapid change chuck for KBM 50 Q, KBM 50 U, KBM 52 U, KBM 65 U
can only be used for core drilling units with left-hand running function. Size 2, with QuickIN fitting, for tapping drills in connection with tapping inserts with or without slipping clutch M 6 - M 20.

Part number
9 26 02 079 01 0



Thread cutting tool for KBM 32 Q and KBM 50 QX
Size 2, with QuickIN fitting, for tapping drills in connection with tapping inserts with or without slipping clutch M6 - M16. Including torque support.

Part number
9 26 02 072 01 2



Thread cutting tool for KBM 65 Q and KBM 65 QF
Size 2, with MT 3 fitting, for tapping drills in connection with tapping inserts with or without slipping clutch M6 - M20. Including torque support.

Part number
9 26 02 066 01 2



Tapping Inserts
for thread drills in accordance with DIN 371

Thread	Ø mm	Square mm	Part number
M 6	6	4,9	6 32 06 095 01 1
M 8	8	6,2	6 32 06 138 01 0
M 10	10	8	6 32 06 139 01 0



Tapping Inserts
for thread drills in accordance with DIN 374/376

Thread	Ø mm	Square mm	Part number
M 6	4,5	3,4	6 32 06 117 01 5
M 10	7	5,5	6 32 06 096 01 4
M 12	9	7	6 32 06 097 01 8
M 14	11	9	6 32 06 098 01 6
M 16	12	9	6 32 06 099 01 0
M 18	14	11	6 32 06 100 01 1
M 20	16	12	6 32 06 101 01 0



Tapping Inserts
with safety coupling for blind holes.
for thread drills in accordance with DIN 371

Thread	Ø mm	Square mm	Part number
M 6	6	4,9	6 32 06 118 01 3
M 8	8	6,2	6 32 06 140 01 0
M 10	10	8	6 32 06 141 01 0



Tapping Inserts
with safety coupling for blind holes.
for thread drills in accordance with DIN 374/376

Thread	Ø mm	Square mm	Part number
M 8	6	4,9	6 32 06 102 01 3
M 10	7	5,5	6 32 06 103 01 7
M 12	9	7	6 32 06 104 01 5
M 14	11	9	6 32 06 105 01 9
M 16	12	9	6 32 06 106 01 2
M 18	14	11	6 32 06 107 01 6
M 20	16	12	6 32 06 108 01 4

Clamping fixtures



Vacuum plate
for anti-magnetic materials and structured bases (corrugated sheet, stud plate etc.)
Vacuum plate 396 x 200 x 95 mm

Part number
9 26 02 057 01 7



Vacuum pump
Suction rate 0,015 m³/min, -0,8 bar, 92 W, weight 2,5 kg including suction hose

Part number
9 26 01 022 01 3



Suction plate
for anti-magnetic materials, 250 x 330 x 110 mm

Part number
9 26 02 054 01 6



Pipe drilling device
incl. clamping strap, for positioning bores on pipes with pipe Ø of 60 to 300 mm, 220 x 130 mm.

Part number
9 26 02 055 01 0

Cooling



Pump
Capacity approx. 450 ml. Suited to FEIN core drilling units KBM 32 Q, KBM 50 QX, KBM 52 U, KBM 65 Q, KBM 65 QF.

Part number
3 21 32 022 00 7

Replacement hose
for hand pump 3 21 32 022 00 7.

Part number
3 14 14 054 00 8



Flex-jointed hose
Suitable for KBM 50 Q, 50 U, 50 auto, 65 U when using twist drills.

Part number
3 14 14 070 01 0



Cutting spray
300 ml pump spray, for long tool life, optimum cutting performance and enhanced swarf flow.

Part number
3 21 32 031 00 0

Other accessories



Magbrush
Practical tool with high magnetic force for quick and easy collection of magnetic metal swarf.

Part number
6 42 01 005 01 0

KBM 80 U

Powerful with 3-speed gearbox and maximum functionality for universal and efficient working in the workshop.



For accessories, see page 172

Carbide core drill bit max. diameter	mm	80
HSS core drill max. Ø	mm	65
Core drill, drilling depth max.	mm	50
Twist drill max. Ø	mm	32
Tapping		M 27
Countersinking max. Ø	mm	50
Reaming max. Ø	mm	31
Input	W	2 000
Output	W	900
Speed, full load		
1st gear	rpm	110-180
2nd gear	rpm	160-260
3rd gear	rpm	350-580
Core drill holder		QuickIN/ QuickIN MAX
Tool Holder		MK 3
Stroke	mm	145
Total stroke range	mm	285
Adjustment range for drill jigs	mm	± 4,25
Swivel range for drill jigs		± 11°
Magnetic holding power	N	18 000
Magnetic foot dimensions	mm	270 x 90
Cable with plug	m	4
Weight according to EPTA	kg	25,4
Part number		7 270 34 00 23 0
EAN		4014586862545

FEIN benefits:

- ▶ Speed stability even in tough applications.
- ▶ Fine adjustment of the drill spindle for convenient tool alignment.
- ▶ Double drill motor guide for use with very large drilling tools.
- ▶ Reversible rotation.
- ▶ Electronic speed setting.
- ▶ MT3 interface.
- ▶ High magnetic holding force.
- ▶ Convenient magnetic holding force display.
- ▶ Integrated coolant tank.
- ▶ Mechanical 3-speed gearbox.
- ▶ Automatic coolant supply.
- ▶ Slipping clutch torque.

Price includes:

1 case, 1 coolant tank, 1 lashing strap, 1 swarf hook, 2 centering pins, 1 contact guard, 1 drift key, 1 QuickIN MAX/ MT3 tool mounting

KBM 80 auto

High-power and clever, fully automatic 3-speed tool for maximum efficiency in the workshop.



For accessories, see page 172

Carbide core drill bit max. diameter	mm	80
HSS core drill max. Ø	mm	65
Core drill, drilling depth max.	mm	50
Twist drill max. Ø	mm	18/32*
Tapping		M 27*
Countersinking max. Ø	mm	50*
Reaming max. Ø	mm	31*
Input	W	2 000
Output	W	900
Speed, full load		
1st gear	rpm	110-180
2nd gear	rpm	160-260
3rd gear	rpm	350-580
Core drill holder		QuickIN/ QuickIN MAX
Tool Holder		MK 3
Stroke	mm	145
Total stroke range	mm	285
Adjustment range for drill jigs	mm	± 4,25
Swivel range for drill jigs		± 11°
Magnetic holding power	N	18 000
Magnetic foot dimensions	mm	270 x 90
Cable with plug	m	4
Weight according to EPTA	kg	26,4
Part number		7 270 32 00 23 0
EAN		4014586862538

FEIN benefits:

- ▶ Saves time and money when producing a large number of holes thanks to the digitally controlled drill feed.
- ▶ Thanks to reproducible and timed drilling times, working hours for commissioned and serial work can be planned.
- ▶ Universal work, such as tapping in manual tool mode thanks to clockwise/anti-clockwise rotation and MT3 interface.
- ▶ FEIN high-power motor with stable speed.
- ▶ Electronic speed setting.
- ▶ High magnetic holding force.
- ▶ Convenient magnetic holding force display.
- ▶ Integrated coolant tank.
- ▶ Tilt sensor.
- ▶ Controls which can be clearly seen.
- ▶ Mechanical 3-speed gearbox.
- ▶ Automatic coolant supply.
- ▶ Slipping clutch torque.
- ▶ * In manual tool mode only

Price includes:

1 case, 1 coolant tank, 1 lashing strap, 1 swarf hook, 2 centering pins, 1 contact guard, 1 drift key, 1 QuickIN MAX/ MT3 tool mounting

Carbide core drill



TCT Ultra 50 core bit with QuickIN MAX holder
 Very long service life and outstanding cutting performance.
 Metric dimensions, cutting depth 50 mm.

Bore Ø mm	Part number
50	6 31 27 330 01 0
51	6 31 27 331 01 0
52	6 31 27 332 01 0
53	6 31 27 333 01 0
54	6 31 27 334 01 0
55	6 31 27 335 01 0
56	6 31 27 336 01 0
57	6 31 27 337 01 0
58	6 31 27 338 01 0
59	6 31 27 339 01 0
60	6 31 27 340 01 0
61	6 31 27 341 01 0
62	6 31 27 342 01 0
63	6 31 27 343 01 0
64	6 31 27 344 01 0
65	6 31 27 345 01 0
66	6 31 27 346 01 0
67	6 31 27 347 01 0
68	6 31 27 348 01 0
69	6 31 27 349 01 0
70	6 31 27 350 01 0
71	6 31 27 351 01 0
72	6 31 27 352 01 0
73	6 31 27 353 01 0
74	6 31 27 354 01 0
75	6 31 27 355 01 0
76	6 31 27 456 01 0
77	6 31 27 457 01 0
78	6 31 27 458 01 0
79	6 31 27 459 01 0
80	6 31 27 460 01 0

Adapter/drill chuck



Adapter with QuickIN MAX holder
 QuickIN output

Part number	6 39 01 045 01 0
-------------	------------------



Key-type drill chuck with QuickIN holder

Chuck opening mm	Part number
1,5 - 13	6 39 01 023 02 0
1 - 16	6 39 01 023 01 1

MT 3 drive arbors



QuickIN output
 For retrofitting KBM 80 U / KBM 80 auto. With integrated cooling lubricant supply. For all QuickIN core bits with a Ø of 12 - 65 mm.

Part number	6 39 01 039 02 0
-------------	------------------



QuickIN MAX output
 For retrofitting KBM 80 U / KBM 80 auto. With integrated cooling lubricant supply. For all FEIN QuickIN MAX core bits with a Ø of 50-80 mm.

Part number	6 39 01 038 02 0
-------------	------------------



Weldon 32 Standard output
 Specially designed for core bits with cutting surfaces offset by 90°. Maximum cutting depth 50 mm.

Part number	6 39 01 041 01 0
-------------	------------------



Weldon 32 output
 Clamping surfaces in line. Maximum cutting depth 75 mm. Specially designed for core bits from:

Mount	Part number
Hougen	6 39 01 042 01 0
Jancy	6 39 01 040 01 0



Enlargement tapers
 for M.T. sockets

Mount	Part number
MT 3/MT 3	6 33 04 005 00 0



Thread cutting KBM 80



Tapping rapid change chuck for KBM 80
can only be used for core drilling units with anti-clockwise rotation. Size 3, with QuickIN MAX holder, for thread drills (DIN 374/376), in conjunction with thread cutting inserts with or without M 22-M 27 safety clutch.

Part number
9 26 02 082 01 0



Tapping Inserts
for thread drills in accordance with DIN 374/376

Thread	Ø mm	Square mm	Part number
M22/M24	18	14,5	6 32 06 119 01 0
M27	20	16	6 32 06 120 01 0



Tapping Inserts
with safety coupling for blind holes.
for thread drills in accordance with DIN 374/376

Thread	Ø mm	Square mm	Part number
M22/M24	18	14,5	6 32 06 122 01 0
M27	20	16	6 32 06 123 01 0



Interchangeable reducing insert (WRE 3/2)
Reducing insert for holding size 2 thread cutting inserts (M 6-M 20) in size 3 thread cutting quick change chuck. (9 26 02 082 01 0)

Part number
6 32 06 125 01 0

Clamping fixtures



Vacuum plate
for anti-magnetic materials and structured bases (corrugated sheet, stud plate etc.)
396 x 350 x 95 mm for KBM 80 U, 80 auto.

Part number
9 26 02 085 01 0



Vacuum pump
Suction rate 0,015 m³/min, -0,8 bar, 92 W, weight 2,5 kg including suction hose

Part number
9 26 01 022 01 3

Other accessories



Magbrush
Practical tool with high magnetic force for quick and easy collection of magnetic metal swarf.

Part number
6 42 01 005 01 0



A clean finish: FEIN Dustex.

Dust extractors from the FEIN Dustex range are the ideal solution for minimising dust when working with power tools in industrial settings, in the workshop, or for assembly jobs. The convenient automatic on/off function switches these professional and exceptionally quiet wet/dry dust extractors on and off via the switch on the connected power tool. FEIN Dustex dust extractors also feature a soft start function which reduces the start-up current to avoid unnecessarily tripping lower rated fuses. The dust extractors are supplied with an extra-long power cable and a suction hose, giving the user maximum range and flexibility. FEIN Dustex safety extractors can reliably remove class M hazardous dusts.



Wet / dry dust extractor

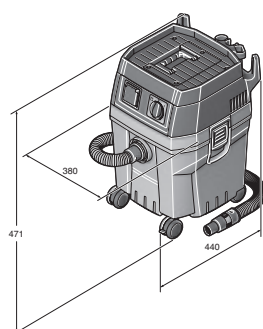
Page 176

For clean results and safe,
healthy working conditions.

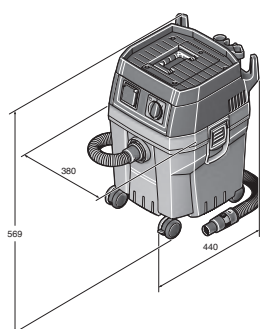


		Dustex 25 L set	Dustex 25 L	Dustex 35 L set	Dustex 35 L	Dustex 35 LX	Dustex 35 LX AC	Dustex 35 MX	Dustex 35 MX AC
		Compact, powerful wet and dry dust extractor for connecting to power tools when working in the workshop and for assembly work, with large accessory set.	Compact, powerful wet and dry dust extractor for connecting to power tools when working in the workshop and for assembly work.	Powerful wet and dry dust extractor for connecting to power tools when working in the workshop and for assembly work, with large accessory set.	Powerful wet and dry dust extractor for connecting to power tools when working in the workshop and for assembly work.	Powerful, professional wet/dry dust extractor of dust class L for attachment of various case systems including extensive accessories.	Powerful, professional wet/dry dust extractor of dust class L with fully automatic filter cleaning for attachment of various case systems including extensive accessories.	Powerful, professional wet/dry dust extractor of dust class M for attachment of various case systems including extensive accessories.	Powerful, professional wet/dry dust extractor of dust class M with fully automatic filter cleaning for attachment of various case systems including extensive accessories.
Page		177	177	177	178	178	178	179	179
Equipment	Automatic start/stop	•	•	•	•	•	•	•	•
	Soft start	•	•	•	•	•	•	•	•
	Automatic filter cleaning						•		•
	Case storage					•	•	•	•
Technische Attribute									
Dust class		L	L	L	L	L	L	M	M
Maximum power input (W)		1 380	1 380	1 380	1 380	1 380	1 380	1 380	1 380
Air flow (l/min)		4 320	4 320	4 320	4 320	4 320	4 320	4 320	4 320
Max. vacuum (mbar)		253	253	253	253	254	254	254	254
Max. vacuum (l)		22	22	32	32	35	35	35	35
Weight according to EPTA (kg)		8,0	8,0	9,0	9,0	13,5	14,1	13,5	14,1

• included



Dustex 25 L



Dustex 35 L

**Dustex 25 L set**

Compact, powerful wet and dry dust extractor for connecting to power tools when working in the workshop and for assembly work, with large accessory set.



For accessories, see page 180

Maximum power input	W	1 380
Air flow	l/min	4 320
Max. vacuum	mbar	253
Tank volume	l	22
Weight according to EPTA	kg	8,0
Cable with plug	m	6
Part number	9 20 27 060 00 0	
EAN	4014586878362	

FEIN benefits:

- ▶ Powerful turbine for 72 l/s volumetric flow and 253 mbar vacuum (240 V).
- ▶ Low noise level of 67 dB (A).
- ▶ Large range thanks to 6 m power cable and 4 m suction hose.
- ▶ Large, 360° rotating castors for optimum manoeuvrability even in tight spaces.
- ▶ Tool collar with suction force regulation to set the suction power with ease.
- ▶ Auto start socket with switch-on delay to avoid power surges.
- ▶ Practical storage area with edge.
- ▶ Approval for dust class L.

Price includes:

1x 4 m suction hose, diameter 35 mm, 1 tool collar with suction force regulation, 1 Fleece filter bag, 1 Flat-fold filter, 2 suction pipes (metal), 1 combi nozzle with interchangeable inserts, 1 groove nozzle, 1 suction brush, 1 elbow

Dustex 25 L

Compact, powerful wet and dry dust extractor for connecting to power tools when working in the workshop and for assembly work.



For accessories, see page 180

Maximum power input	W	1 380
Air flow	l/min	4 320
Max. vacuum	mbar	253
Tank volume	l	22
Weight according to EPTA	kg	8,0
Cable with plug	m	6
Part number	9 20 27 223 00 0	
EAN	4014586877365	

FEIN benefits:

- ▶ Powerful turbine for 72 l/s volumetric flow and 253 mbar vacuum (240 V).
- ▶ Low noise level of 67 dB (A).
- ▶ Large range thanks to 6 m power cable and 4 m suction hose.
- ▶ Large, 360° rotating castors for optimum manoeuvrability even in tight spaces.
- ▶ Tool collar with suction force regulation to set the suction power with ease.
- ▶ Auto start socket with switch-on delay to avoid power surges.
- ▶ Practical storage area with edge.
- ▶ Approval for dust class L.

Price includes:

1x 4 m suction hose, diameter 35 mm, 1 tool collar with suction force regulation, 1 Fleece filter bag, 1 Flat-fold filter

Dustex 35 L set

Powerful wet and dry dust extractor for connecting to power tools when working in the workshop and for assembly work, with large accessory set.



For accessories, see page 180

Maximum power input	W	1 380
Air flow	l/min	4 320
Max. vacuum	mbar	253
Tank volume	l	32
Weight according to EPTA	kg	9,0
Cable with plug	m	6
Part number	9 20 28 060 00 0	
EAN	4014586878423	

FEIN benefits:

- ▶ Powerful turbine for 72 l/s volumetric flow and 253 mbar vacuum (240 V).
- ▶ Low noise level of 67 dB (A).
- ▶ Large range thanks to 6 m power cable and 4 m suction hose.
- ▶ Large, 360° rotating castors for optimum manoeuvrability even in tight spaces.
- ▶ Tool collar with suction force regulation to set the suction power with ease.
- ▶ Auto start socket with switch-on delay to avoid power surges.
- ▶ Practical storage area with edge.
- ▶ Approval for dust class L.

Price includes:

1x 4 m suction hose, diameter 35 mm, 1 tool collar with suction force regulation, 1 Fleece filter bag, 1 Flat-fold filter, 2 suction pipes (metal), 1 combi nozzle with interchangeable inserts, 1 groove nozzle, 1 suction brush, 1 elbow

Dustex 35 L

Powerful wet and dry dust extractor for connecting power tools when working in the workshop and for assembly work.



For accessories, see page 180

Maximum power input	W	1 380
Air flow	l/min	4 320
Max. vacuum	mbar	253
Tank volume	l	32
Weight according to EPTA	kg	9,0
Cable with plug	m	6
Part number	9 20 28 223 00 0	
EAN	4014586877389	

FEIN benefits:

- ▶ Powerful turbine for 72 l/s volumetric flow and 253 mbar vacuum (240 V).
- ▶ Low noise level of 67 dB (A).
- ▶ Large range thanks to 6 m power cable and 4 m suction hose.
- ▶ Large, 360° rotating castors for optimum manoeuvrability even in tight spaces.
- ▶ Tool collar with suction force regulation to set the suction power with ease.
- ▶ Auto start socket with switch-on delay to avoid power surges.
- ▶ Practical storage area with edge.
- ▶ Approval for dust class L.

Price includes:

1x 4 m suction hose, diameter 35 mm, 1 tool collar with suction force regulation, 1 Fleece filter bag, 1 Flat-fold filter

Dustex 35 LX

Powerful, professional wet/dry dust extractor of dust class L for attachment of various case systems including extensive accessories.



For accessories, see page 180

Maximum power input	W	1 380
Air flow	l/min	4 320
Max. vacuum	mbar	254
Tank volume	l	35
Weight according to EPTA	kg	13,5
Cable with plug	m	7,5
Sound pressure level	dB	69
Part number	9 20 29 060 00 0	
EAN	4014586882956	

FEIN benefits:

- ▶ Tool cases of various systems can be simply positioned on the extraction head and secured.
- ▶ Ergonomic transport of the complete unit, including power tool and extractor, thanks to push bar and case and accessory attachment.
- ▶ Reliable suction of different types of dirt from liquids to fine dusts.
- ▶ Approval for dust class L.
- ▶ With PES flat fold filter and electronic shut-off for outstanding wet extraction performance.
- ▶ Auto start socket with switch-on delay to avoid power surges.
- ▶ The 7.5 m mains cable and 4 m hose provide a large working radius.

Price includes:

1 push bar, 1 PES flat fold filter, 1 premium fleece filter bag, 1x 4 m suction hose, diameter 35 mm, 1 tool collar with suction force regulation, 1 stepped collar, 2 suction pipes (metal), 1 combi nozzle with interchangeable inserts, 1 crevice nozzle, 1 suction brush, 1 elbow

Dustex 35 LX AC

Powerful, professional wet/dry dust extractor of dust class L with fully automatic filter cleaning for attachment of various case systems including extensive accessories.



For accessories, see page 180

Maximum power input	W	1 380
Air flow	l/min	4 320
Max. vacuum	mbar	254
Tank volume	l	35
Weight according to EPTA	kg	14,1
Cable with plug	m	7,5
Sound pressure level	dB	69
Part number	9 20 30 060 00 0	
EAN	4014586882994	

FEIN benefits:

- ▶ Tool cases of various systems can be simply positioned on the extraction head and secured.
- ▶ Ergonomic transport of the complete unit, including power tool and extractor, thanks to push bar and case and accessory attachment.
- ▶ Fully automatic filter cleaning (AC) makes the flat fold filter last longer for uninterrupted working.
- ▶ Reliable suction of different types of dirt from liquids to fine dusts.
- ▶ Approval for dust class L.
- ▶ With PES flat fold filter and electronic shut-off for outstanding wet extraction performance.
- ▶ Auto start socket with switch-on delay to avoid power surges.
- ▶ The 7.5 m mains cable and 4 m hose provide a large working radius.

Price includes:

1 push bar, 1 PES flat fold filter, 1 disposal bag, 1x 4 m suction hose, diameter 35 mm, 1 tool collar with suction force regulation, 1 stepped collar, 2 suction pipes (metal), 1 combi nozzle with interchangeable inserts, 1 crevice nozzle, 1 suction brush, 1 elbow

**Dustex 35 MX**

Powerful, professional wet/dry dust extractor of dust class M for attachment of various case systems including extensive accessories.



For accessories, see page 180

Maximum power input	W	1 380
Air flow	l/min	4 320
Max. vacuum	mbar	254
Tank volume	l	35
Weight according to EPTA	kg	13,5
Cable with plug	m	7,5
Sound pressure level	dB	69
Part number	9 20 31 060 00 0	
EAN	4014586883052	

FEIN benefits:

- ▶ Approved for holding hazardous dusts of class M.
- ▶ Tool cases of various systems can be simply positioned on the extraction head and secured.
- ▶ Ergonomic transport of the complete unit, including power tool and extractor, thanks to push bar and case and accessory attachment.
- ▶ Reliable suction of different types of dirt from liquids to fine dusts.
- ▶ With PES flat fold filter and electronic shut-off for outstanding wet extraction performance.
- ▶ Auto start socket with switch-on delay to avoid power surges.
- ▶ The 7.5 m mains cable and 4 m hose provide a large working radius.

Price includes:

1 push bar, 1 PES flat fold filter, 1 premium fleece filter bag, 1x 4 m suction hose, diameter 35 mm, 1 tool collar with suction force regulation, 1 stepped collar, 2 suction pipes (metal), 1 combi nozzle with interchangeable inserts, 1 crevice nozzle, 1 suction brush, 1 elbow

Dustex 35 MX AC

Powerful, professional wet/dry dust extractor of dust class M with fully automatic filter cleaning for attachment of various case systems including extensive accessories.



For accessories, see page 180

Maximum power input	W	1 380
Air flow	l/min	4 320
Max. vacuum	mbar	254
Tank volume	l	35
Weight according to EPTA	kg	14,1
Cable with plug	m	7,5
Sound pressure level	dB	69
Part number	9 20 32 060 00 0	
EAN	4014586883069	

FEIN benefits:

- ▶ Approved for holding hazardous dusts of class M.
- ▶ Tool cases of various systems can be simply positioned on the extraction head and secured.
- ▶ Fully automatic filter cleaning (AC) makes the flat fold filter last longer for uninterrupted working.
- ▶ Ergonomic transport of the complete unit, including power tool and extractor, thanks to push bar and case and accessory attachment.
- ▶ Reliable suction of different types of dirt from liquids to fine dusts.
- ▶ With PES flat fold filter and electronic shut-off for outstanding wet extraction performance.
- ▶ Auto start socket with switch-on delay to avoid power surges.
- ▶ The 7.5 m mains cable and 4 m hose provide a large working radius.

Price includes:

1 push bar, 1 PES flat fold filter, 1 disposal bag, 1x 4 m suction hose, diameter 35 mm, 1 tool collar with suction force regulation, 1 stepped collar, 2 suction pipes (metal), 1 combi nozzle with interchangeable inserts, 1 crevice nozzle, 1 suction brush, 1 elbow

General accessories



Flat-fold filter
Cellulose, M dust class certification

Part number
3 13 45 012 01 0



Flat-fold filter
PES, M dust class certification, superior filter

Part number
3 13 45 059 01 0



Flat-fold filter
HEPA

Part number
3 13 45 060 01 0



Suction hose

Ø mm	L m	Part number
27	4	3 13 45 065 01 0
35	4	3 13 45 066 01 0



Suction hose
Electrostatically discharging, orange-black.

Ø mm	L m	Part number
27	4	3 13 45 121 01 0
35	4	3 13 45 120 01 0



Extension hose

Ø mm	L m	Part number
27	2,5	3 13 45 067 01 0
35	2,5	3 13 45 068 01 0



Repair set
Suitable for 35 mm diameter suction hose

Part number
3 13 45 069 01 0



Elbow

Part number
3 13 45 070 01 0



Elbow
with leak air aperture.

Ø mm	Part number
35	3 13 45 263 01 0



Suction tube
Metal version, pack of 2

Part number
3 13 45 071 01 0



Floor nozzle
Reversible, with stainless steel sliding surface and all-round bristles. Suitable for hard floors and textile floor coverings

Part number
3 13 45 072 01 0



Combination nozzle
For wet and dry work with interchangeable inserts, rubber lips and brush strips

Part number
3 13 45 073 01 0



Aluminium combi nozzle
For wet and dry work with interchangeable inserts, rubber lips and brush strips

Part number
3 13 45 137 01 0



Crevice nozzle

Part number
3 13 45 074 01 0



Upholstery nozzle
With brush strips

Part number
3 13 45 075 01 0



Suction brush,
can be rotated, with natural bristles, 70 x 45 mm bristle area

Part number
3 13 45 076 01 0



Intake brush
Natural bristles, 120 x 45 mm bristle area

Part number
3 13 45 077 01 0



Tool collar with suction force regulation
38 mm diameter, power tool side

Part number
3 13 45 123 01 0



Tool collar with suction force regulation
Electrically conducting, diameter 27 mm, power tool side.

Part number
3 13 45 250 01 0



Stepped collar
4 levels

Part number
3 13 45 079 01 0



Cable holder
to guide cable on suction hose, suitable for suction hose diameter of 27-35 mm

No. in pack pcs	Part number
5	3 13 45 119 01 0



Accessory set
2 suction pipes (metal), 1 combi nozzle with interchangeable inserts, 1 crevice nozzle, 1 suction brush, 1 elbow

Part number
3 13 45 071 02 0

Accessory set
1 suction hose, 2 suction pipes (metal), 1 combi nozzle with interchangeable inserts, 1 crevice nozzle, 1 suction brush, 1 elbow

Ø mm	Part number
40	3 13 45 133 02 0

Accessories for Dustex 35 LX / MX



Disposal bag
Open, recommended for AC models only

No. in pack pcs	Part number
5	3 13 45 063 01 0



Premium fleece filter bag
Reinforced material and seams for fine and abrasive dusts.

No. in pack pcs	Part number
5	3 13 45 251 01 0

Accessories for FEIN Dustex 35 L



Fleece filter bag

No. in pack pcs	Part number
5	3 13 45 062 01 0



Premium fleece filter bag
Reinforced material and seams for fine and abrasive dusts.

No. in pack pcs	Part number
5	3 13 45 251 01 0



Permanent filter
Replaces the fleece filter bag

Part number
3 13 45 064 01 0



HEPA filter bag

No. in pack pcs	Part number
3	3 13 45 130 01 0

Accessories for FEIN Dustex 25 L



Fleece filter bag

No. in pack pcs	Part number
5	3 13 45 061 01 0



Permanent filter
Replaces the fleece filter bag

Part number
3 13 45 064 01 0

Accessories for Dustex II, Dustex 25, Dustex 40



Filter bag
Extra fine version for higher levels of material separation, pack of 5

Model	Part number
Dustex II, 25	3 13 22 757 01 6
Dustex 40	3 13 22 811 01 0



Filter bag
Standard version, pack of 5

Model	Part number
Dustex II, 25	3 13 22 781 01 7
Dustex 40	3 13 22 810 01 0



Filter cartridge

Part number
3 13 22 765 00 9



Suction hose
Ø 36 mm, length 5 m

Part number
3 13 22 767 01 5



Handle

Part number
3 13 22 770 00 0



Connecting piece
Universal device to connect power tools and accessories with dust extraction to vacuum cleaner. Flexible rubber sleeve, length 70 mm, inner diameter 31.5 mm.

Part number
3 13 22 771 00 9



Stepped collar
for various connection diameters, e.g. for connecting up equipment from other manufacturers.

Part number
3 13 22 772 00 2



Outstanding surface finishes for stainless steel, wood and paint.

When it comes to surface processing, only one factor counts: flawless results. Whether you're sanding or polishing, with the extensive range of FEIN power tools and specially designed professional sets you are in the best possible position to satisfy the exact specified requirements in surface finish. This is equally true for stainless steel machining, woodworking, interior fitting, renovation, vehicle or boat repairs and special vehicle construction. FEIN is the name you can count on: with powerful, virtually indestructible power tools, excellent ergonomics for minimum fatigue and maximum efficiency, and practical accessories – for perfect results. You will find more surface processing products in the chapters on Oscillation and Stationary Belt Grinders.



Sanders

Page 184

The perfect tools for rough sanding and fine sanding of surfaces, pipes and profiles.

Polishers

Page 198

Protecting and caring for sensitive and high-quality surfaces.

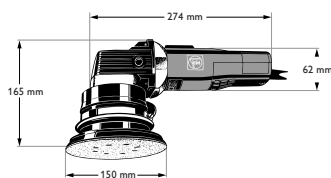


		MSf 636-1	RS 12-70 E	Professional set pipe sander	WPO 14-25 E	WPO 14-25 E start set for stainless steel
		Extremely powerful eccentric sander with optimum dust extraction for all surfaces.	Pipe sander with extremely high sanding capacity for stainless steel pipes and pipe bends up to 80 mm in diameter.	Stainless steel starter set for standard applications in pipe machining.	Extremely powerful sander/polisher for cool machining of stainless steel surfaces.	Stainless steel starter set for standard applications in surface machining.
Page		186	186	186	187	187
Application	Rough sanding	▲▲	▲▲	▲▲	▲▲	▲▲
	Fine sanding	▲▲	▲▲	▲▲	▲▲	▲▲
	Dry sanding	▲▲	▲▲	▲▲	▲▲	▲▲
	Micro-sanding	▲▲	▲▲	▲▲	▲▲	▲▲
Equipment	FEIN high-power motor		●	●	●	●
	Suction	●				
	Spindle lock				●	●
	Restart protection		●	●	●	●
Technical features	Soft start		●	●	●	●
	Input (W)	380	1 200	1 200	1 200	1 200
	Speed, no load (rpm)	8 800	2 700-7 000	2 700-7 000	900-2 500	900-2 500
	Weight according to EPTA (kg)	2,4	3,8	3,8	2,5	2,5
	Polishing disc Ø (mm)	150			230	230
	Sanding pad Ø (mm)	150			230	230
	Mounting thread	5/16 in			M 14	M 14
Material	Belt speed (m/sec)		22	22		
	Pipes up to Ø (mm)		8-80	8-80		
	Metal (stainless steel, copper and copper alloys, aluminium)	▲▲	▲▲	▲▲	▲▲	▲▲
	Paint (boat, vehicle)	▲▲			▲	
Plastics (fibreglass, polyurethane)	▲▲			▲		
Mineral substance	▲▲			▲		

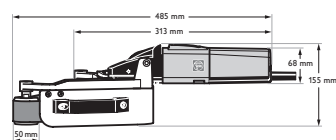
▲ suitability

▲▲ optimal suitability

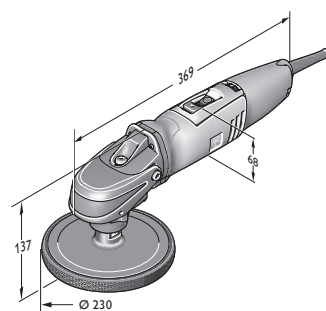
● included



MSf 636-1



RS 12-70 E



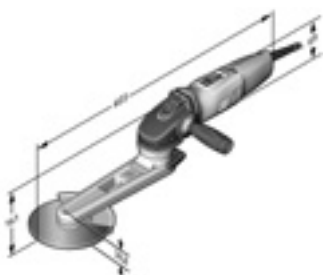
WPO 14-25 E



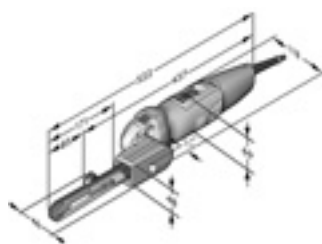
RS 10-70 E

	ROT 14-200 E	RS 10-70 E Start set	KS 10-38 E - Set	BF 10-280 E	BF 10-280 E Start-Set	WSG 17-70 Inox starter set
	Extremely powerful rotary sander for high material removal on metal, wood, coatings and fibreglass-reinforced plastics (FRP).	Handy, compact pipe sander for stainless steel pipes with a diameter of up to Ø 45 mm.	Fillet weld grinder for difficult-to-reach spots in metal constructions.	Extremely powerful belt file for corners and edges in stainless steel machining.	Start set belt file for corners and edges in stainless steel machining.	Stainless steel starter set for preparing to finish surfaces, pipes and profiles.
	187	188	188	188	189	189
	▲▲					
	▲▲					
	▲					
	●					
	●					
	●					
	●					
	1 200	800	800	800	800	1 700
	900-2 500	2 500-7 000	1 350-3 750	10 000-28 000	10 000-28 000	2 700 - 8 500
	2,6	2,9	3,2	2,1	2,1	2,4
	150/200					
	150/200					
	M 14					
		3,5-11		12-32	12-32	
		8-45				
	▲▲					
	▲▲					
	▲▲					

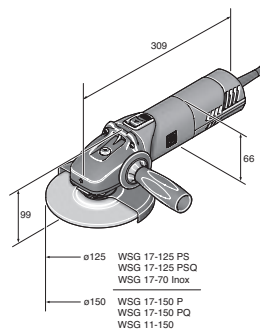
Surface processing



KS 10-38 E



BF 10-280 E



MSf 636-1

Extremely powerful eccentric sander with optimum dust extraction for all surfaces.



For accessories, see page 190

Input	W	380
Speed, no load	rpm	8 800
Stroke	mm	8,4
Hose connection Ø	mm	32
Connector thread backing pad		5/16" -24 UNF
Cable with plug	m	5
Weight according to EPTA	kg	2,4
Sanding pad Ø	mm	150
Polishing disc Ø	mm	150
Mounting thread		5/16"
Part number		7 220 78 00 22 5
EAN		4014586811260

FEIN benefits:

- ▶ Extra strong eccentric stroke means excellent sanding capacity for surfaces large or small.
- ▶ Hole pattern on sanding sheets, backing pad and pad edge makes for perfect dust extraction.
- ▶ Optimum finishing results for high-quality paints, fibreglass, wood, mineral substances (e.g. corian), plastic and metal.
- ▶ Slimline motor for good handling.
- ▶ Durable metal gear head.
- ▶ Sanding sheets with hook and loop fastening.
- ▶ Carbon brushes with self cut-off function.
- ▶ Wide range of accessories.

Price includes:

- 1 eccentric head Ø 150 mm, 1 backing pad, medium, Ø 150 mm, 1 suction wheel guard, 1 set of keys

RS 12-70 E

Pipe sander with extremely high sanding capacity for stainless steel pipes and pipe bends up to 80 mm in diameter.



For accessories, see page 190

Input	W	1 200
Output	W	750
Speed, no load	rpm	2 700-7 000
Belt speed	m/sec	22
Minimum wall clearance	mm	50
Weight according to EPTA	kg	3,8
Cable with plug	m	4
Pipes up to Ø	mm	8-80
Part number		7 221 13 50 01 4
EAN		4014586853819

FEIN benefits:

- ▶ Effective sanding of welded seams thanks to optimum cutting speeds of the sanding belts.
- ▶ Infinitely variable speed for sanding, satin-finishing and high-gloss polishing of ready-fitted hand rails.
- ▶ Flexible sanding belts optimally adapt to even narrow pipe bends, creating surfaces without awkward transitions.
- ▶ 360° peripheral sanding in just 2 steps.
- ▶ Optional guide pulleys for narrow distances from the wall.
- ▶ Restart protection.
- ▶ Wide range of accessories.
- ▶ Dustproof ball bearing.
- ▶ Carbon brushes with self cut-off function.

Professional set pipe sander

Stainless steel starter set for standard applications in pipe machining.



For accessories, see page 190

Input	W	1 200
Output	W	750
Speed, no load	rpm	2 700-7 000
Belt speed	m/sec	22
Minimum wall clearance	mm	50
Weight according to EPTA	kg	3,8
Cable with plug	m	4
Pipes up to Ø	mm	8-80
Part number		7 221 13 51 01 3
EAN		4014586853826

FEIN benefits:

- ▶ Effective sanding of welded seams thanks to optimum cutting speeds of the sanding belts.
- ▶ Infinitely variable speed for sanding, satin-finishing and high-gloss polishing of ready-fitted hand rails.
- ▶ Flexible sanding belts optimally adapt to even narrow pipe bends, creating surfaces without awkward transitions.
- ▶ 360° peripheral sanding in just 2 steps.
- ▶ Optional guide pulleys for narrow distances from the wall.
- ▶ Restart protection.
- ▶ Wide range of accessories.
- ▶ Dustproof ball bearing.
- ▶ Carbon brushes with self cut-off function.

Price includes:

- 2 x 10 pcs. polishing belts, 20 x 815 mm P120/P180,
- 2 x 10 pcs. polishing belts, 40 x 815 mm P120/P180,
- 5 fleece belts 20 x 820 mm very fine, 1 plastic carrying case

**WPO 14-25 E**

Extremely powerful sander/polisher for cool machining of stainless steel surfaces.



For accessories, see page 190

Input	W	1 200
Output	W	750
Speed, no load	rpm	900-2 500
Cable with plug	m	4
Weight according to EPTA	kg	2,5
Polishing disc Ø	mm	230
Mounting thread		M 14
Sanding pad Ø	mm	230
Part number		7 221 49 00 23 0
EAN		4014586862729

FEIN benefits:

- ▶ Extremely powerful even at low speeds thanks to mechanical gear reduction and FEIN high power motor.
- ▶ Infinitely variable speed, ideal for sanding, satin finishing, brushing and high-gloss polishing of stainless steel.
- ▶ Universal suitability as fully-functional sander, polisher and satin-finisher.
- ▶ Excellent handling.
- ▶ Spindle lock.
- ▶ Right or left-handed operation.
- ▶ Restart protection.
- ▶ Soft start.
- ▶ H 07 industrial cable.
- ▶ Dustproof ball bearing.
- ▶ Carbon brushes with self cut-off function.
- ▶ Comprehensive range of accessories available.

Price includes:

1 anti-vibration handle

WPO 14-25 E start set for stainless steel

Stainless steel starter set for standard applications in surface machining.



For accessories, see page 190

Input	W	1 200
Output	W	750
Speed, no load	rpm	900-2 500
Cable with plug	m	4
Weight according to EPTA	kg	2,5
Polishing disc Ø	mm	230
Mounting thread		M 14
Sanding pad Ø	mm	230
Part number		7 221 49 50 01 0
EAN		4014586862743

FEIN benefits:

- ▶ Extremely powerful even at low speeds thanks to mechanical gear reduction and FEIN high power motor.
- ▶ Infinitely variable speed, ideal for sanding, satin finishing, brushing and high-gloss polishing of stainless steel.
- ▶ Universal suitability as fully-functional sander, polisher and satin-finisher.
- ▶ Excellent handling.
- ▶ Spindle lock.
- ▶ Right or left-handed operation.
- ▶ Restart protection.
- ▶ Soft start.
- ▶ H 07 industrial cable.
- ▶ Dustproof ball bearing.
- ▶ Carbon brushes with self cut-off function.
- ▶ Comprehensive range of accessories available.

Price includes:

1 FEIN angle polisher WPO 14-25 E in plastic tool case, 1 holder, rotating, safety guard, 1 work arbour, 1 corrugated sanding fleece, 1 supporting plate with velcro adhesion section (Ø 115 mm, M14), 10 sanding fleeces with velcro (Ø 115 mm, fine), 1 elastic sanding roller (100 x 100 mm, grain 60), 1 lamella fleece cylinder (100 x 100 mm, grain 180), 2 keys, 1 anti-vibration handle

ROT 14-200 E

Extremely powerful rotary sander for high material removal on metal, wood, coatings and fibreglass-reinforced plastics (FRP).



For accessories, see page 190

Input	W	1 200
Output	W	750
Speed, no load	rpm	900-2 500
Cable with plug	m	4
Weight according to EPTA	kg	2,6
Polishing disc Ø	mm	150/200
Mounting thread		M 14
Hose connection Ø	mm	38
Sanding pad Ø	mm	150/200
Part number		7 221 65 50 01 0
EAN		4014586867236

FEIN benefits:

- ▶ 200 mm backing pad - extremely powerful across the entire speed range.
- ▶ Dust-free working with extractor hood, suitable for 150 and 200 mm backing pad.
- ▶ Double gear reduction ensures constant speeds even under the highest loads.
- ▶ Can be combined with the vacuum cleaners from the FEIN Dustex range.
- ▶ Can be used universally as a grinder and polisher.
- ▶ Infinitely variable speed, ideal for protecting sensitive surfaces.
- ▶ Excellent handling.
- ▶ Spindle lock.
- ▶ With mounted handle cover for optimum grip when polishing.
- ▶ Right or left-handed operation.
- ▶ Restart protection.
- ▶ H 07 industrial cable.
- ▶ Dustproof ball bearing.
- ▶ Extremely light weight.
- ▶ Large tool case for consumable material and accessories.

Price includes:

1 FEIN angle polisher WPO 14-25 E in plastic tool case, 1 Extractor hood, 1 backing pad, hard, Ø 200 mm, 1 anti-vibration handle

RS 10-70 E Start set

Handy, compact pipe sander for stainless steel pipes with a diameter of up to Ø 45 mm.



For accessories, see page 190

Input	W	800
Output	W	550
Speed, no load	rpm	2 500-7 000
Belt speed	m/sec	3,5-11
Minimum wall clearance	mm	50
Weight according to EPTA	kg	2,9
Cable with plug	m	4
Pipes up to Ø	mm	8-45
Part number		7 221 66 60 00 0
EAN		4014586867519

FEIN benefits:

- ▶ FEIN high-power motor for constant speed even when loaded.
- ▶ Optimum belt speeds for effective use of various grinding, fleece and polishing belts.
- ▶ Extremely easy to use - grinding arm can be swivelled, tool-free belt installation and adjustment.
- ▶ Automatic belt adjustment.
- ▶ Perfect belt guidance.
- ▶ Clasping angle of up to 180°.
- ▶ Infinitely variable speed, ideal for protecting sensitive surfaces.
- ▶ Soft start.
- ▶ Restart protection.
- ▶ H 07 industrial cable.
- ▶ Comprehensive range of accessories available.

Price includes:

1 pipe sander RS 10-70 E in plastic tool case, 10 each of grinding belts (grit 120, 180), 5 fleece belts (fine)

KS 10-38 E - Set

Fillet weld grinder for difficult-to-reach spots in metal constructions.



For accessories, see page 190

Input	W	800
Speed, no load	rpm	1 350-3 750
Peripheral speed	m/sec	29,5
Weight according to EPTA	kg	3,2
Tool diameter	mm	150
Part number		7 221 67 60 00 0
EAN		4014586868936

FEIN benefits:

- ▶ Flexible use thanks to drive head that can be swivelled without the need for tools.
- ▶ Flat design for corners, angles and difficult-to-reach spots.
- ▶ Long belt drive service life thanks to zero-maintenance tensioning system.
- ▶ Spindle brake for quick tool changes.
- ▶ Spark hood can be adjusted and removed without the need for tools.
- ▶ Electronic speed setting.
- ▶ Made in Germany quality.
- ▶ H 07 industrial cable.
- ▶ Soft start.
- ▶ Restart protection.

Price includes:

1 fillet weld sander KS 10-38 E in plastic case, 1 anti-vibration handle, Medium fleece discs, diameter 150 mm, one 3 mm thick and one 6 mm thick, Fine fleece discs, diameter 150 mm, one 3 mm thick and one 6 mm thick, Profiling stone for profiling the fleece discs

BF 10-280 E

Extremely powerful belt file for corners and edges in stainless steel machining.



For accessories, see page 190

Input	W	800
Output	W	550
Speed, no load	rpm	10 000-28 000
Belt speed	m/sec	12-32
Cable with plug	m	4
Weight according to EPTA	kg	2,1
Belt size	mm	520 x 3/6/20
Part number		7 228 05 50 00 0
EAN		4014586867250

FEIN benefits:

- ▶ FEIN high-power motor for highly effective material removal and constant speed even at high loads.
- ▶ Optimum belt speeds for effective use of various grinding, fleece and polishing belts.
- ▶ Extremely easy to handle - tool-free, grinding arm can be swivelled 180°, tool-free belt installation and adjustment.
- ▶ Perfect belt guidance.
- ▶ Belt widths of between 3 and 20 mm.
- ▶ Infinitely variable speed, ideal for protecting sensitive surfaces.
- ▶ Stepped and straight grinding arms for a variety of applications.
- ▶ Soft start.
- ▶ Restart protection.
- ▶ H 07 industrial cable.
- ▶ Comprehensive range of accessories available.

Price includes:

1 stepped grinding arm



BF 10-280 E Start-Set

Start set belt file for corners and edges in stainless steel machining.



For accessories, see page 190

Input	W	800
Output	W	550
Speed, no load	rpm	10 000-28 000
Belt speed	m/sec	12-32
Cable with plug	m	4
Weight according to EPTA	kg	2,1
Belt size	mm	520 x 3/6/20
Part number		7 228 05 51 00 0
EAN		4014586867267

FEIN benefits:

- ▶ FEIN high-power motor for highly effective material removal and constant speed even at high loads.
- ▶ Extremely easy to handle - tool-free, grinding arm can be swivelled 180°, tool-free belt installation and adjustment.
- ▶ Start set with stepped and straight grinding arms for a variety of applications, ceramic grinding belts for effective machining of welded seams and fleece belts for finishing work in various widths.
- ▶ Optimum belt speeds.
- ▶ Perfect belt guidance.
- ▶ Belt widths of between 3 and 20 mm.
- ▶ Infinitely variable speed, ideal for protecting sensitive surfaces.
- ▶ Soft start.
- ▶ Restart protection.
- ▶ H 07 industrial cable.
- ▶ Comprehensive range of accessories available.

Price includes:

1 belt file BF 10-280 E in plastic tool case, 3 grinding arms (1 each of 3/6 mm stepped, 6 mm straight, 20 mm straight), 10 grinding belts, 3 mm (grit 120), 10 grinding belts, 6 mm (grit 120), 10 grinding belts, 20 mm (grit 120), 5 fleece belts, 6 mm (medium)

WSG 17-70 Inox starter set

Stainless steel starter set for preparing to finish surfaces, pipes and profiles.



For accessories, see page 190

Input	W	1 700
Output	W	1 000
Speed, no load	rpm	2 700 - 8 500
Cable with plug	m	4
Weight according to EPTA	kg	2,4
Flange		M 14
Grinding disc Ø	mm	125
Elast. Backing pad Ø	mm	125
Part number		7 222 13 61 00 0
EAN		4014586883564

FEIN benefits:

- ▶ Carbon brushes last up to 30% longer and tool removes more material than comparable angle grinders.
- ▶ Variable speed allows various tools to be used for applications ranging from satin-finishing to sanding stainless steel.
- ▶ POWERtronic for enormous power, power reserve and exceptional speed stability under load.
- ▶ The lightest and shortest model of its kind.
- ▶ Blockage monitoring.
- ▶ Restart protection.
- ▶ Soft start.
- ▶ Electronic overload protection.
- ▶ Solid metal gearbox head for maximum robustness and service life.
- ▶ The best vibration performance in its class.
- ▶ Industrial cable H07, length 4m.

Price includes:

1 FEIN compact angle grinder WSG 17-70 Inox in plastic tool case, 1 serrated sanding disc, medium, 1 finishing disc (diameter 125 mm), 5 each of Pyramix sanding sheet, perforated, diameter 115 mm (grit 280, 400, 800), 25 sanding sheets (grit 80, diameter 115 mm), 1 cooling backing pad (diameter 75 mm, M14), 1 supporting plate with velcro adhesion section (Ø 115 mm, M14)

Accessories for WSG 17-70 Inox, ROT 14-200 E, MSf 636-1



Tool case
Plastic, inner dimensions: 470 x 275 x 116 mm

Part number
3 39 01 118 01 0



Plastic box
Box insert with lockable lid for small parts and accessories, suitable for tool box 3 39 01 118 01 0, max 5 items/box.

Part number
3 39 01 119 00 0

Accessories for RS 12-70 E



Basic pipe sander set
Cleaning off dirt, removing scratches and achieving a perfect satin finish. Consisting of: 2 x 10 grinding belts, 20 x 815 mm, P 120/P180; 2 x 10 grinding belts, 40 x 815 mm, P120/P180; 5 fleece belts, 20 x 820 mm, very fine 280

Part number
6 37 14 050 02 1



Pipe sander polishing set
From preparing to polish to achieving a perfect mirror polish. Consisting of: 2 x 10 grinding belts, 20 x 815 mm, P320/P400; 1 x 3 polishing belts, 20 x 815 mm; 1 tube pre-polishing cream, red (200ml); 1 tube colouring paste, white (200ml)

Part number
6 37 14 052 02 3



Ceramic sanding belts
Maximum material removal and very long service life. Also suitable for removing fine welded seams

Dimensions mm	No. in pack pcs	Part number
20 x 815	10	6 37 14 130 01 0
40 x 815	10	6 37 14 131 01 0



Grinding belts
Highly flexible sanding belts, ideal for sanding pipe bends 20 x 815 mm

Grain	No. in pack pcs	Part number
120	10	6 37 14 050 01 5
180	10	6 37 14 051 01 4
320	10	6 37 14 052 01 7
400	10	6 37 14 053 01 1



Grinding belts
Highly flexible sanding belts, ideal for sanding pipe bends 40 x 815 mm

Grain	No. in pack pcs	Part number
120	10	6 37 14 054 01 9
180	10	6 37 14 055 01 3



Fleece strips
Very soft version for smooth surfaces, even with tight pipe bends 20 x 815 mm

Grain	No. in pack pcs	Part number
80	5	6 37 14 056 01 6
120	5	6 37 14 057 01 0
280	5	6 37 14 058 01 8



Polishing belts
20 x 815 mm, very soft version, for smooth mirror polish even with tight pipe bends

Part number
6 37 26 010 01 8



Rotating roller
For narrow spaces (distance from wall 50 mm)

Part number
3 13 35 017 01 1

Accessories for BF 10-280 E



Stepped grinding arm

Belt width mm	Part number
3/6	6 38 10 026 01 0



Straight grinding arm

Belt width mm	Part number
6	6 38 10 027 01 0
20	6 38 10 030 01 0



Ceramic grinding belt
Maximum material removal and very long service life. Also suitable for removing fine welded seams Pack of 10, 520 mm long.

Width mm	Grain	Part number
3	80	6 37 14 061 01 0
3	120	6 37 14 062 01 0
3	180	6 37 14 063 01 0
6	80	6 37 14 068 01 0
6	120	6 37 14 069 01 0
6	180	6 37 14 070 01 0
20	80	6 37 14 089 01 0
20	120	6 37 14 090 01 0
20	180	6 37 14 091 01 0



Fleece belt
Soft version for smooth surfaces. Pack of 5, 520 mm long.

Width mm	Model	Part number
6	course	6 37 14 114 01 0
6	medium	6 37 14 115 01 0
6	fine	6 37 14 116 01 0
20	course	6 37 14 123 01 0
20	medium	6 37 14 124 01 0
20	fine	6 37 14 125 01 0



Polishing belt
Soft version, for a smooth mirror polish in conjunction with FEIN polishing pastes. Pack of 3, 520 mm long.

Width mm	Part number
6	6 37 26 016 01 0
20	6 37 26 019 01 0

Accessories for WSG 17-70 Inox



Fixtec quick-clamping nut
to change discs without need for tool, low height of just 8 mm

Part number
6 38 02 191 01 0



Work gloves
Vibration-attenuating, certified according to EN 388/420, EN ISO 10819, EEC No. 0200, No. in pack 1 pair

Size	Part number
9 L	3 21 73 003 00 3
10 XL	3 21 73 004 00 1
11 XXL	3 21 73 005 00 5



Wheel guard
for serrated and roughing discs

Ø mm	Part number
125	3 18 10 288 01 0



Safety hood for cutting work
for safe working with cutting wheels

Ø mm	Part number
125	6 38 11 012 01 0



Inner flange

Part number
6 38 01 120 00 6



Threaded flange
M 14, for flexible grinding/cutting discs, fan-pattern grinding wheels and round brush

Part number
6 38 02 052 00 0



Threaded flange
M 14, for elastic backing pad and for twisted steel wire brush

Part number
6 38 01 154 00 7



Elastic backing pad
with flange M 14, for fibre sanding sheets Ø 125 mm

Ø mm	Part number
125	6 38 06 087 01 3



Backing pad
M 14, Ø 125 mm, with Velcro attachment, for sanding sheets with Velcro rapid attachment

Part number
6 38 06 168 01 2



Backing pad
with Velcro attachment, for working with sanding fleece, M 14

Ø mm	Part number
115	6 38 06 172 01 0



Fleece sanding discs
Ø 115 mm, with Velcro attachment, for use with support plate
6 38 06 172 01 0

Grain	No. in pack pcs	Part number	
	course	10	6 37 32 001 01 8
	medium	10	6 37 32 002 01 1
	fine	10	6 37 32 003 01 5



Cool sanding pad
Rear-ventilated backing pad, ideal for Pyramix sanding discs

Ø mm	Part number
115	6 38 06 193 01 0



Cool sanding pad
Rear-ventilated backing pad, ideal for Pyramix sanding discs for use when the outer edge of the sanding discs has been removed.

Ø mm	Part number
75	6 38 06 196 01 0



Sanding sheets
Ø 115 mm, for removing very deep scratches and fine welded seams

Grain	No. in pack pcs	Part number
	80	25



Pyramix sanding sheet
The Pyramix hook and loop sanding disc features a new performance pattern which means it can now also be used after the first edge has been worn away. Ø 115 mm.
For removing deep scratches

Grain	No. in pack pcs	Part number	
	280	5	6 37 17 239 01 0
	280	25	6 37 17 239 02 0



Pyramix sanding sheet
The Pyramix hook and loop sanding disc features a new performance pattern which means it can now also be used after the first edge has been worn away. Ø 115 mm.
For removing minor scratches, creating sanding pattern, reducing roughness depth

Grain	No. in pack pcs	Part number	
	400	5	6 37 17 240 01 0
	400	25	6 37 17 240 02 0

Surface processing



Pyramix sanding sheet

The Pyramix hook and loop sanding disc features a new perforation pattern which means it can now also be used after the first edge has been worn away. Ø 115 mm. For removing very minor scratches, creating sanding pattern, reducing roughness depth

Grain	No. in pack pcs	Part number
800	5	6 37 17 241 01 0
800	25	6 37 17 241 02 0



Pyramix sanding sheet

The Pyramix hook and loop sanding disc features a new perforation pattern which means it can now also be used after the first edge has been worn away. Ø 115 mm. Reducing roughness depth, optimum preconditions for subsequent polishing

Grain	No. in pack pcs	Part number
1400	5	6 37 17 242 01 0
1400	25	6 37 17 242 02 0



Flap wheel

diameter 125 mm, M 14

Grain	Part number
120	6 37 21 052 01 0



Finishing disc

Ø 125 mm, for final finish

Part number
6 37 32 005 01 0



Abrasive flap disc med.

Ø 125 mm, for removing fine welded seams without damaging adjacent surfaces

No. in pack pcs	Part number
10	6 37 30 018 01 0



Stainless steel set for grinding pipes / profiles

Sand fine welded seams without damaging adjacent surfaces. With subsequent surface finish. Consisting of: 10 x medium serrated grinding discs (6 37 30 018 01 0), 1 flap wheel, grit 120 (6 37 21 052 01 0), 1 finishing disc (6 37 32 005 01 0).

Part number
6 37 21 052 02 0



Stainless steel set - Preparing to polish surfaces / pipes / profiles

Quickly and effectively removes scratches; optimum preparation for polishing with matched sanding pattern; when preparing for polishing: effective material removal in little time. Consisting of: 5 Pyramix sanding sheets, grit 280 (6 37 17 239 01 0), 5 Pyramix sanding sheets, grit 400 (6 37 17 240 01 0), 5 sanding sheets, grit 800 (6 37 17 241 01 0), 5 Pyramix sanding sheets, grit 1400 (6 37 17 242 01 0), 1 cooling backing pad, Ø 75 mm (6 38 06 196 01 0), 25 sanding sheets, grit 80 (6 37 28 135 01 0), 1 cooling backing pad, Ø 115 mm (6 38 06 193 01 0)

Part number
6 38 06 193 04 0

Accessories for KS 10-38 E



Fleece disc

With a high sanding capacity for sanding, descaling and satin-finishing fillet welds.

Model	Ø mm	Thickness mm	Part number
course	150	3	6 37 34 001 01 0
course	150	6	6 37 34 002 01 0



Fleece disc

For sanding, levelling, descaling and fine satin-finishing of fillet welds. Removes scratches on profiles and surfaces with ease.

Model	Ø mm	Thickness mm	Part number
medium	150	3	6 37 34 003 01 0
medium	150	6	6 37 34 004 01 0



Fleece disc

Removes tarnishing and minor scratches, ideal for preparing to polish fillet welds.

Model	Ø mm	Thickness mm	Part number
fine	150	3	6 37 34 005 01 0
fine	150	6	6 37 34 006 01 0



Fleece disc

For pre-polishing surfaces of fillet welds. Quickly removes tarnishing without wearing away the welded seam.

Model	Ø mm	Thickness mm	Part number
very fine	150	6	6 37 34 007 01 0



Felt disc

For polishing fillet welds to a mirror polish in conjunction with FEIN polishing paste.

Ø mm	Thickness mm	Part number
150	6	6 37 18 011 01 0



Profiling stone

For sanding the fleece discs for even fillet weld profiles.

Part number
6 37 19 011 01 0

Accessory RS 10-70 E



Grinding belts

Highly flexible sanding belts, ideal for sanding pipe bends
No. in pack 10, 30 x 533 mm.

Grain	Part number
80	6 37 14 136 01 0
120	6 37 14 137 01 0
180	6 37 14 138 01 0
320	6 37 14 139 01 0
400	6 37 14 140 01 0



Fleece strips

Very soft version for smooth surfaces, even with tight pipe bends
No. in pack 5, 30 x 533 mm.

Grain	Part number
course	6 37 14 141 01 0
medium	6 37 14 142 01 0
fine	6 37 14 143 01 0



Polishing belts

Very soft version for smooth mirror polish, even with tight pipe bends.
No. in pack 3, 30 x 533 mm.

Part number
6 37 14 144 01 0

Accessories for ROT 14-200 E



Protect. suction hood

Part number
3 18 10 264 01 0

Protect. suction hood

Part number
3 18 10 240 01 4



Connecting piece

Universal device to connect power tools and accessories with dust extraction to vacuum cleaner. Flexible rubber sleeve, length 70 mm, inner diameter 31.5 mm.

Part number
3 13 22 771 00 9



Sanding sheets

perforated, Ø 150 mm, with Velcro rapid attachment
Application: Wood, metal, car bodies, welds. Quality: fully synthetic-resin bonded, corundum. Features: high sanding capacity.

Grain	No. in pack		Part number
	pcs		
60	50		6 37 28 022 01 7



Sanding sheets

perforated, Ø 150 mm, with Velcro rapid attachment
Application: wood, paint, filler, automotive paints, fibreglass, plastics. Quality: fully synthetic-resin bonded, corundum. Feature: highly flexible.

Grain	No. in pack		Part number
	pcs		
600	50		6 37 28 132 01 0
800	50		6 37 28 133 01 0
1 200	50		6 37 28 134 01 0



Sanding pad

Ø 150 mm, with holes, with hook and loop fastener

Model	Part number
hard	6 38 06 116 02 1
extra soft	6 38 06 166 02 6

Sanding sheets

perforated, Ø 200 mm, with Velcro rapid attachment
Application: Metal, car bodies, soldered points, welds, fibreglass. Quality: fully synthetic-resin bonded, corundum. Features: stable, high abrasion performance.

Grain	No. in pack		Part number
	pcs		
60	50		6 37 28 077 01 5
80	50		6 37 28 078 01 3

Sanding sheets

perforated, Ø 200 mm, with Velcro rapid attachment
Application: Metal, automotive paints. Quality: fully synthetic-resin bonded, medium bond, corundum. Feature: greatly reduces glazing.

Grain	No. in pack		Part number
	pcs		
150	50		6 37 28 081 01 8



Sanding pad

Ø 200 mm, with holes, with hook and loop fastener

Model	Part number
hard	6 38 06 102 02 3
medium	6 38 06 095 02 1
extra soft	6 38 06 118 02 3



Lambskin

with Velcro rapid attachment.

Ø	Part number
mm	
200	6 37 23 010 00 6

Accessories for MSf 636-1

Hook and loop fastener

Ø 150 mm

Ø	Part number
mm	
150	3 14 26 030 00 5

Sanding pad

Ø 115 mm, without holes, with hook and loop fastener, hard

Part number
6 38 06 167 02 0



Eccentric head

Ø 115 mm

Part number
3 12 07 131 02 9



Sanding sheets

Ø 115 mm, for removing very deep scratches and fine welded seams

Grain	No. in pack		Part number
	pcs		
80	50		6 37 28 096 01 9



Sanding pad

Ø 125 mm, perforated, with hook and loop fastening

Model	Part number
hard	6 38 06 103 02 7
medium	6 38 06 088 02 7
soft	6 38 06 117 02 5

Sanding sheets

perforated, Ø 125 mm, with Velcro rapid attachment
Application: wood, paints, filler, automotive paints, fibreglass, plastics. Quality: fully synthetic-resin bonded, medium bond, corundum. Feature: greatly reduces glazing, high sanding capacity, flexible.

Grain	No. in pack pcs	Part number
80	50	6 37 28 001 01 6
100	50	6 37 28 002 01 9



Sanding pad

Ø 150 mm, with holes, with hook and loop fastener

Model	Part number
hard	6 38 06 101 02 0
medium	6 38 06 090 02 3
soft	6 38 06 114 02 4



Eccentric head

Ø 150 mm

Part number
3 12 07 103 01 3



Sanding sheets

perforated, Ø 150 mm, with Velcro rapid attachment
Application: Metal, car bodies, soldered points, welds, fibreglass.
Quality: high-performance emery canvas, fully synthetic-resin bonded, corundum. Features: highly stable, high sanding capacity.

Grain	No. in pack pcs	Part number
40	50	6 37 28 009 01 4
60	50	6 37 28 010 01 6
80	50	6 37 28 056 01 3
100	50	6 37 28 054 01 6



Sanding sheets

perforated, Ø 150 mm, with Velcro rapid attachment
Application: wood, paint, automotive paints, filler, fibreglass, plastics. Quality: fully synthetic-resin bonded, corundum.
Feature: greatly reduces glazing, flexible.

Grain	No. in pack pcs	Part number
80	50	6 37 28 074 01 4
120	50	6 37 28 084 01 3
150	50	6 37 28 012 01 8
180	50	6 37 28 013 01 2
220	50	6 37 28 014 01 0
240	50	6 37 28 015 01 4
320	50	6 37 28 017 01 1
400	50	6 37 28 061 01 0



Sanding sheets

perforated, Ø 150 mm, with Velcro rapid attachment
Application: Wood, metal, car bodies, welds.
Quality: fully synthetic-resin bonded, light bond, corundum.
Features: high sanding capacity.

Grain	No. in pack pcs	Part number
40	50	6 37 28 072 01 2
60	50	6 37 28 073 01 6



Lambskin

with Velcro rapid attachment.

Ø mm	Part number
125	6 37 23 008 00 0

Accessories for KS 10-38 E, BF 10-280 E, RS 10-70 E, RS 12-70 E, WPO 14-25 E



Microfibre cloth

Fine weave quality for cleaning polishing residue.
Hem-free version means no scratches and no lint

Part number
6 37 33 003 01 0

Accessories for WPO 14-25 E



Standard stainless steel set for surfaces

Set for standard applications in surface machining: cleaning off dirt with corrugated fleece, removing tarnishing and achieving a high-quality satin finish. Consisting of: 1 elastic sanding cylinder, grit 60 (6 37 21 006 01 2), 1 lamella fleece cylinder (6 37 21 009 01 8), 1 corrugated sanding fleece (6 37 23 021 01 3), 1 fine fleece sanding disc, pack of 10 (6 37 32 003 01 5), 1 support plate (6 38 06 172 01 0), 1 work arbour (6 38 03 066 02 4), 1 pin-type face spanner (6 29 10 022 00 2), 1 open-ended spanner 19 x 22 (6 29 04 003 00 0)

Part number
6 37 21 006 04 0



Stainless steel set for grinding surfaces

Effective material removal for surfaces. Consisting of: 1 expansion cylinder (6 38 06 192 01 0), 5 sanding sleeves, grit 60 (6 37 14 132 01 0), 5 sanding sleeves, grit 80 (6 37 14 133 01 0), 5 sanding sleeves, grit 120 (6 37 14 134 01 0)

Part number
6 38 06 192 02 0



Stainless steel set for satin-finishing surfaces

Perfect smooth satin finish. Very low build-up of heat during machining. Consisting of: 1 medium elastic sanding cylinder, grit 60 (6 37 21 006 01 2), 1 fine elastic sanding cylinder, grit 180 (6 37 21 007 01 6), 1 fine sine fleece sanding cylinder, grit 180 (6 37 21 051 01 0)

Part number
6 37 21 050 02 0



Standard stainless steel set for pipes

Set for standard applications in the machining of straight pipes. Cleaning off dirt, removing tarnishing and achieving a high-quality satin finish. Consisting of: 1 grinding belt roller (6 38 06 181 01 6), 1 grinding belt, grit 60, pack of 10 (6 37 14 044 01 0), 1 grinding belt, grit 120, pack of 10 (6 37 14 045 01 4), 1 medium fleece belt (6 37 14 048 01 9), 1 fine fleece belt (6 37 14 049 01 3), 1 adhesive strip (6 38 09 004 01 9)

Part number
6 38 06 181 03 0



Stainless steel set - Satin-finishing profiles

Satin-finishing of profiles for a perfect sanding pattern. Consisting of: 1 elastic cylinder, grit 60, medium (6 37 21 054 01 0), 1 elastic cylinder, grit 180, fine (6 37 21 055 01 0), 1 sine fleece sanding cylinder, fine (6 37 21 056 01 0), 1 work arbour (6 38 03 071 02 0)

Part number
6 37 21 054 02 0



Stainless steel set for polishing surfaces / pipes / profiles

Polishing surfaces to a mirror polish. No lint build-up on the polishing rings. Consisting of: 1 sisal polishing ring (6 37 23 011 01 4), 2 rigid polishing ring cloths (6 37 23 013 01 1), 2 soft polishing ring cloths (6 37 23 014 01 9), 1 brush paste (6 37 26 027 01 0), 1 pre-polishing paste (6 37 26 028 01 0), 1 colouring paste (6 37 26 029 01 0), 1 work arbour (6 38 03 027 03 8), 1 pin-type face spanner (6 29 10 022 00 2), 1 open-ended spanner 19 x 22 (6 29 04 003 00 0)

Part number
6 37 23 011 04 0



Elastic sanding cylinder

Bore 19 mm
100 x 100 mm

Grain	Model	Part number
60	medium	6 37 21 006 01 2
180	fine	6 37 21 007 01 6



Elastic sanding cylinder

Bore 19 mm
100 x 50 mm

Grain	Model	Part number
60	medium	6 37 21 054 01 0
180	fine	6 37 21 055 01 0



Sine fleece sanding cylinder

Bore 19 mm
Ø 100 x 50 mm, with sine wave, for smooth satin finish

Grain	Model	Part number
180	fine	6 37 21 056 01 0



Sine fleece sanding cylinder

Bore 19 mm
Ø 100 x 100 mm, with sine wave, for smooth satin finish

Grain	Model	Part number
180	fine	6 37 21 051 01 0



Flap wheel

diameter 150 mm, bore 14 mm
For remedying minor mistakes and scratches

Part number
6 37 21 003 01 7



Flap wheel

diameter 150 mm, bore 14 mm
for medium brush applications

Part number
6 37 21 004 01 5



Flap wheel

diameter 150 mm, bore 14 mm
For for fine brush strokes, satin finish.

Part number
6 37 21 005 01 9



Lamella fleece cylinder

diameter 100 x 100 mm, bore 19 mm
For medium satin finish

Grain	Model	Part number
100	medium	6 37 21 008 01 4



Lamella fleece cylinder

diameter 100 x 100 mm, bore 19 mm
For fine satin finish

Grain	Model	Part number
180	fine	6 37 21 009 01 8



Lamella fleece cylinder

diameter 100 x 100 mm, bore 19 mm
For very fine satin finish

Grain	Model	Part number
280	very fine	6 37 21 010 01 0



Sanding fleece

with corrugated folds, width approx. 30 mm, bore hole 14 mm,
for light finishing work, derusting, polishing, and decorative work

Ø mm	Part number
150	6 37 23 021 01 3
200	6 37 23 022 01 6



Fleece sanding discs

Ø 115 mm, with Velcro attachment, for use with support plate
6 38 06 172 01 0

Grain	No. in pack	
	pcs	Part number
course	10	6 37 32 001 01 8
medium	10	6 37 32 002 01 1
fine	10	6 37 32 003 01 5



Backing pad

with Velcro attachment, for working with sanding fleece, M 14

Ø mm	Part number
115	6 38 06 172 01 0



Sanding strip roll

Bore 19 mm
100 x 70 mm

Part number
6 38 06 181 01 6



Grinding belts

600 x 30 mm

Grain	No. in pack	
	pcs	Part number
60	10	6 37 14 044 01 0
120	10	6 37 14 045 01 4
240	10	6 37 14 046 01 7

Adhesive strip

For re-fastening grinding belts in closed pipe systems, 50 m

Part number
6 38 09 004 01 9



Fleece strips

With button closure for refastening, ideal for closed pipe systems, 600 x 30 mm

Model	Part number
course	6 37 14 047 01 1
medium	6 37 14 048 01 9
fine	6 37 14 049 01 3



Polishing rings, Sisal, cloth

- fine finishing/brushing and levelling of non-ferrous metals following preliminary sanding with grain 240-280 using polishing paste "yellow".
- fine finishing/brushing and levelling of iron/steel, and stainless steel following preliminary sanding with grain 280-320 using polishing paste "yellow"
- matt-shining/brushing non-ferrous metals, iron/steel, and stainless steel using polishing paste "yellow".
- Preliminary polishing of iron/steel and stainless steel with preliminary polishing paste "orange" width about 30 mm, 14 mm bore

Ø mm	Part number
150	6 37 23 011 01 4
200	6 37 23 012 01 7



Polishing rings, hard cloth

Width approx. 15 mm, bore hole 14 mm, for preliminary polishing and polishing of non-ferrous metals, iron/steel, stainless steel with preliminary polishing paste "orange"

Ø mm	Part number
150	6 37 23 013 01 1
200	6 37 23 015 01 3



Polishing rings, soft cloth

Width approx. 15 mm, bore hole 14 mm, for high-gloss polishing of non-ferrous metals, iron/steel, stainless steel and chrome with final polishing paste "white"

Ø mm	Part number
150	6 37 23 014 01 9
200	6 37 23 016 01 6

Polishing rings, fleece, extra soft

Width approx. 15 mm, bore hole 14 mm, for final polishing of non-ferrous metals, iron/steel, stainless steel and many plastics with final polishing paste "white"

Ø mm	Part number
150	6 37 23 019 01 2
200	6 37 23 020 01 4



Polishing wheel

diameter 150 mm, width 60 mm, elastic, bore 14 mm for brush polishing, grain 16 (coarse), soft, "green"

Part number	6 37 13 013 01 8
-------------	------------------



Polishing wheel

diameter 150 mm, width 60 mm, elastic, bore 14 mm for delicate surfaces, grit 24 (medium), soft, "blue"

Part number	6 37 13 015 01 0
-------------	------------------

Polishing wheel

diameter 150 mm, width 60 mm, elastic, bore 14 mm for fine polishing, grit 46, soft, "brown"

Part number	6 37 13 016 01 3
-------------	------------------



Flap wheel

Width 50 mm, for polishing rust-resistant steel, bore 14 mm

Ø mm	Part number
200	6 37 21 001 00 1



Brushing paste

yellow, for Sisal/cloth for matt-shining of non-ferrous metals, iron/steel, and stainless steel

Part number	6 37 26 027 01 0
-------------	------------------



Preliminary polishing paste

orange, for firm cloth, for matt-shining and polishing of non-ferrous metals, iron/steel, and stainless steel

Part number	6 37 26 028 01 0
-------------	------------------



Rumbling paste

white, for soft cloth, for high-gloss polishing of non-ferrous metals, iron/steel, stainless steel, and chrome

Part number	6 37 26 029 01 0
-------------	------------------



Holder

for side handle, 360° rotatable

Part number	6 37 33 006 01 0
-------------	------------------



Wheel arbor

For satin-finishing tools (cylinders and rollers), tool holder Ø 19 mm

Length mm	Part number
50	6 38 03 071 02 0
100	6 38 03 067 02 8



Wheel arbor

with clamping flange M 14, for polishing rings, clamping range 15-35 mm

Part number	6 38 03 027 03 8
-------------	------------------



Wheel arbor

With wheel flange M 14, for lamella sanding discs, buffing and polishing discs, holding range 15 – 50 mm, tool mounting diameter 14 mm

Part number	6 38 03 066 02 4
-------------	------------------



Safety guard
as hand guard

Part number
3 02 29 216 00 5



Expansion roller
Bore 19 mm
Ø 100 x 100 mm, for vibration-free, secure holding of sanding sleeves

Part number
6 38 06 192 01 0



Sanding sleeve
For removing small welded seams and very deep scratches and mill scale

Grain	No. in pack pcs	Part number
60	5	6 37 14 132 01 0



Sanding sleeve
For removing deep scratches

Grain	No. in pack pcs	Part number
80	5	6 37 14 133 01 0



Sanding sleeve
For removing scratches, stage prior to satin-finishing

Grain	No. in pack pcs	Part number
120	5	6 37 14 134 01 0

**Accessories for KS 10-38 E, WSG 17-70 Inox,
ROT 14-200 E, WPO 14-25 E**



anti-vibration handle
M 8, vibration absorbing, to reduce the vibrations during longer jobs.

Part number
3 21 19 124 01 0

Accessories for ROT 14-200 E, MSf 636-1



Lambskin
with Velcro rapid attachment.

Ø mm	Part number
150	6 37 23 009 00 4



Tool case
Plastic, inner dimensions: 470 x 275 x 232 mm

Part number
3 39 01 122 01 0

Accessories for KS 10-38 E, BF 10-280 E, RS 10-70 E, RS 12-70 E



Pre-polishing cream, red
for pre-polishing

Part number
6 37 26 008 01 2



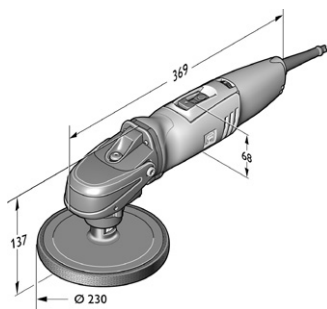
Colouring paste, white
for buffing and high-gloss polishing

Part number
6 37 26 009 01 6

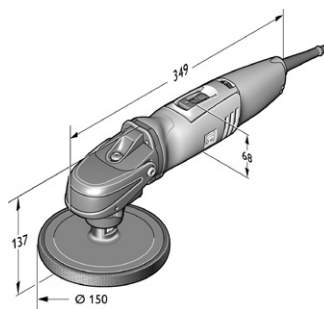


		WPO 14-15 E	WPO 14-15 E marine polishing set	WPO 14-15 E Set	WPO 14-15 E marine polishing set	WPO 14-25 E	WPO 10-25 E	WPO 10-25 E Set
		Extremely powerful angle polisher for vehicle and boat repairs.	Polishing set for boat repairs.	Extremely powerful angle polisher for vehicle and boat repairs.	Polishing set for boat repairs.	Extremely powerful angle polisher for refurbishing paintwork.	Powerful easy-to-use angle polisher for refurbishing paintwork.	
Page		199	199	200	200	200	201	201
Application	Rough sanding	▲	▲▲	▲	▲▲	▲▲		
	Fine sanding	▲	▲▲	▲	▲▲	▲▲		
	Micro-sanding	▲▲	▲▲	▲	▲▲	▲▲		
	Dry sanding	▲▲	▲▲	▲▲	▲▲	▲▲		
Equipment	polishing	▲▲	▲▲	▲▲	▲▲	▲▲	▲▲	▲▲
	FEIN high-power motor	●	●	●	●	●	●	●
	Suction		●					
	Spindle lock	●	●	●	●	●	●	●
	Restart protection	●	●	●	●	●	●	●
Soft start	●	●	●	●	●	●	●	
Technical features	Input (W)	1 200	1 200	1 200	1 200	1 200	800	800
	Speed, no load (rpm)	500-1 500	500-1 500	500-1 500	500-1 500	900-2 500	900-2 500	900-2 500
	Weight according to EPTA (kg)	2,5	2,5	2,5	2,5	2,5	2,2	2,2
	Polishing disc Ø (mm)	230	230	230	230	230	150	150
	Mounting thread	M 14	M 14	M 14	M 14	M 14	M 14	M 14
Material	Metal (stainless steel, copper and copper alloys, aluminium)	▲▲	▲▲	▲▲	▲▲	▲▲		
	Wood (natural and varnished)	▲	▲	▲	▲	▲▲		
	Paint (boat, vehicle)	▲▲	▲▲	▲▲	▲▲	▲		▲▲
	Plastics (fibreglass, polyurethane)	▲▲	▲▲	▲▲	▲▲	▲		▲▲
	Mineral substance	▲▲	▲▲	▲▲	▲▲	▲		

▲ suitability ▲▲ optimal suitability ● included



WPO 14-15 E



WPO 10-25 E

**WPO 14-15 E**

Extremely powerful angle polisher for vehicle and boat repairs.



For accessories, see page 201

Input	W	1 200
Output	W	750
Speed, no load	rpm	500-1 500
Cable with plug	m	4,0
Weight according to EPTA	kg	2,5
Polishing disc Ø	mm	230
Mounting thread		M 14
Part number	7 221 48 00 23 0	
EAN	4014586862699	

FEIN benefits:

- ▶ Ideal speed range with infinitely variable speed control for professional surface processing on vehicles and boats.
- ▶ Maximum speed stability at any load over the full setting range thanks to mechanical gear reduction in conjunction with the FEIN high-power motor.
- ▶ Special system accessories for the efficient refurbishment of used car paintwork, new car paintwork and highly scratch-resistant paints, and for cleaning, sanding and polishing boat surfaces and gelcoat layers.
- ▶ Convenient speed adjustment.
- ▶ Does not heat up in continuous use.
- ▶ Handle cover for excellent ergonomics.
- ▶ Spindle lock.
- ▶ Right or left-handed operation.
- ▶ Restart protection.
- ▶ Soft start.
- ▶ Carbon brushes with self cut-off function.
- ▶ Can be converted to rotary sander with extractor hood and backing pad.

Price includes:

1 additional handle, 1 Grip hood

WPO 14-15 E marine polishing set Polishing set for boat repairs.

For accessories, see page 201

Input	W	1 200
Output	W	750
Speed, no load	rpm	500-1 500
Cable with plug	m	4
Weight according to EPTA	kg	2,5
Polishing disc Ø	mm	230
Mounting thread		M 14
Part number	7 221 48 50 01 0	
EAN	4014586862712	

FEIN benefits:

- ▶ Ideal speed range with infinitely variable speed control for professional surface machining on boats.
- ▶ Maximum speed stability at any load over the full setting range thanks to mechanical gear reduction in conjunction with the FEIN high-power motor.
- ▶ Special system accessories for the efficient refurbishment of used car paintwork, new car paintwork and highly scratch-resistant paints, and for cleaning, sanding and polishing boat surfaces and gelcoat layers.
- ▶ Convenient speed adjustment.
- ▶ Does not heat up in continuous use.
- ▶ Handle cover for excellent ergonomics.
- ▶ Spindle lock.
- ▶ Right or left-handed operation.
- ▶ Restart protection.
- ▶ Soft start.
- ▶ Carbon brushes with self cut-off function.
- ▶ Can be converted to rotary sander with extractor hood and backing pad.
- ▶ Wide range of accessories.
- ▶ Tool also available without accessories (7 221 48).

Price includes:

1 FEIN PowerPolisher WPO 14-15 E with handle cover and also with side anti-vibration handle in sturdy plastic case, 1 support plate with hook and loop fastening, Ø 170 mm, 1 polishing pad, Ø 195 mm, 1 lamb's wool, dome shape, Ø 235 mm, 1 Extractor hood, 1 sanding pad Ø 150 mm, 2 sanding fleeces for antifoul, 1 bristle fleece, 2 of each sanding sheet, Ø 150 mm, perforated, (G 80, 150, 180)

WPO 14-15 E Set



For accessories, see page 201

Extremely powerful angle polisher for vehicle and boat repairs.

Input	W	1 200
Output	W	750
Speed, no load	rpm	500-1 500
Cable with plug	m	4,0
Weight according to EPTA	kg	2,5
Polishing disc Ø	mm	230
Mounting thread		M 14
Part number	7 221 48 51 01 0	
EAN	401458687069	

FEIN benefits:

- ▶ Ideal speed range with infinitely variable speed control for professional surface processing on vehicles and boats.
- ▶ Maximum speed stability at any load over the full setting range thanks to mechanical gear reduction in conjunction with the FEIN high-power motor.
- ▶ Special system accessories for the efficient refurbishment of used car paintwork, new car paintwork and highly scratch-resistant paints, and for cleaning, sanding and polishing boat surfaces and gelcoat layers.
- ▶ Convenient speed adjustment.
- ▶ Does not heat up in continuous use.
- ▶ Handle cover for excellent ergonomics.
- ▶ Spindle lock.
- ▶ Right or left-handed operation.
- ▶ Restart protection.
- ▶ Soft start.
- ▶ Carbon brushes with self cut-off function.
- ▶ Can be converted to rotary sander with extractor hood and backing pad.
- ▶ Tool also available without accessories (7 221 48).

Price includes:

1 anti-vibration handle, 1 Grip hood, 1 Support plate with Velcro attachment, Ø 150 mm, 1 Polishing sponge, Ø 150 mm, medium

WPO 14-15 E marine polishing set Polishing set for boat repairs.



For accessories, see page 201

Input	W	1 200
Output	W	750
Speed, no load	rpm	500-1 500
Cable with plug	m	4
Weight according to EPTA	kg	2,5
Polishing disc Ø	mm	230
Mounting thread		M 14
Part number	7 221 48 60 00 0	
EAN	4014586872216	

FEIN benefits:

- ▶ Ideal speed range with infinitely variable speed control for professional surface machining on boats.
- ▶ Maximum speed stability at any load over the full setting range thanks to mechanical gear reduction in conjunction with the FEIN high-power motor.
- ▶ Special system accessories for the efficient refurbishment of used car paintwork, new car paintwork and highly scratch-resistant paints, and for cleaning, sanding and polishing boat surfaces and gelcoat layers.
- ▶ Convenient speed adjustment.
- ▶ Does not heat up in continuous use.
- ▶ Handle cover for excellent ergonomics.
- ▶ Spindle lock.
- ▶ Right or left-handed operation.
- ▶ Restart protection.
- ▶ Soft start.
- ▶ Carbon brushes with self cut-off function.
- ▶ Can be converted to rotary sander with extractor hood and backing pad.
- ▶ Wide range of accessories.
- ▶ Tool also available without accessories (7 221 48).

Price includes:

1 FEIN PowerPolisher WPO 14-15 E with handle cover and also with side anti-vibration handle in sturdy plastic case, 1 support plate with hook and loop fastening, Ø 170 mm, 1 polishing pad, Ø 195 mm

WPO 14-25 E



For accessories, see page 201

Extremely powerful angle polisher for refurbishing paintwork.

Input	W	1 200
Output	W	750
Speed, no load	rpm	900-2 500
Cable with plug	m	4
Weight according to EPTA	kg	2,5
Polishing disc Ø	mm	230
Mounting thread		M 14
Part number	7 221 49 51 01 0	
EAN	401458687113	

FEIN benefits:

- ▶ Ideal speed range with infinitely variable speed control for professional surface processing on vehicles and boats.
- ▶ Maximum speed stability at any load over the full setting range thanks to mechanical gear reduction in conjunction with the FEIN high-power motor.
- ▶ Special system accessories for the efficient refurbishment of used car paintwork, new car paintwork and highly scratch-resistant paints, and for cleaning, sanding and polishing boat surfaces and gelcoat layers.
- ▶ Excellent handling.
- ▶ Spindle lock.
- ▶ Right or left-handed operation.
- ▶ Restart protection.
- ▶ Soft start.
- ▶ H 07 industrial cable.
- ▶ Dustproof ball bearing.
- ▶ Carbon brushes with self cut-off function.
- ▶ Comprehensive range of accessories available.
- ▶ Tool also available without accessories (7 221 49).

Price includes:

1 anti-vibration handle, 1 Grip hood, 1 Support plate with Velcro attachment, Ø 150 mm, 1 Polishing sponge, Ø 150 mm, medium



WPO 10-25 E

Powerful easy-to-use angle polisher for refurbishing paintwork.



For accessories, see page 201

Input	W	800
Output	W	550
Speed, no load	rpm	900-2 500
Cable with plug	m	4
Weight according to EPTA	kg	2,2
Polishing disc Ø	mm	150
Mounting thread		M 14
Part number	7 221 63 00 23 0	
EAN	4014586866055	

FEIN benefits:

- ▶ Ideal speed range with infinitely variable speed control for professional surface machining on vehicles.
- ▶ Maximum speed stability at any load over the full setting range thanks to mechanical gear reduction in conjunction with the FEIN high-power motor.
- ▶ Special system accessories for effective refurbishing of new and used cars and highly scratch-resistant paintwork.
- ▶ Convenient speed adjustment.
- ▶ Does not heat up in continuous use.
- ▶ Handle cover for excellent ergonomics.
- ▶ Spindle lock.
- ▶ Right or left-handed operation.
- ▶ Restart protection.
- ▶ Soft start.
- ▶ Carbon brushes with self cut-off function.

Price includes:

1 additional handle, 1 Grip hood

WPO 10-25 E Set

Powerful easy-to-use angle polisher for refurbishing paintwork.



For accessories, see page 201

Input	W	800
Output	W	550
Speed, no load	rpm	900-2 500
Cable with plug	m	4
Weight according to EPTA	kg	2,2
Polishing disc Ø	mm	150
Mounting thread		M 14
Part number	7 221 63 51 01 0	
EAN	4014586867199	

FEIN benefits:

- ▶ Ideal speed range with infinitely variable speed control for professional surface machining on vehicles.
- ▶ Maximum speed stability at any load over the full setting range thanks to mechanical gear reduction in conjunction with the FEIN high-power motor.
- ▶ Special system accessories for effective refurbishing of new and used cars and highly scratch-resistant paintwork.
- ▶ Convenient speed adjustment.
- ▶ Does not heat up in continuous use.
- ▶ Handle cover for excellent ergonomics.
- ▶ Spindle lock.
- ▶ Right or left-handed operation.
- ▶ Restart protection.
- ▶ Soft start.
- ▶ Carbon brushes with self cut-off function.
- ▶ Tool also available without accessories (7 221 63).

Price includes:

1 anti-vibration handle, 1 Grip hood, 1 Support plate with Velcro attachment, Ø 150 mm, 1 Polishing sponge, Ø 150 mm, medium

Polishers

General accessories



Tool case

Plastic, inner dimensions: 470 x 275 x 232 mm

Part number
3 39 01 122 01 0

Accessories for WPO 10-25 E, WPO 14-15 E, WPO 14-15 XE, WPO 14-25 E



Paint refurbishing and finishing set

Ideal range of accessories for refurbishing weathered and new paintwork. Also perfectly suited to finishing fresh paintwork (not suitable for matt paintwork). Plastic case contains: 1 FEIN single-stage polish, 1 kg; 1 FEIN top wax paint seal, 1 kg; 1 support plate, 150 mm; 1 lambskin, 150 mm; 2 medium-hard orange polishing sponges, 150 mm; 1 waffle pad; 53 mini sanding discs, grit 2800; 1 manual sanding block; 1 moistening cube; 1 cleaning putty, 200 g; 2 microfibre cloths.

Part number
6 37 23 028 04 0



Wax sealing

Sprayable lacquer varnish for cleaning and permanently sealing polished surfaces. Removes polishing agent residues from plastic parts.

Contents
ml
500

Part number
6 37 26 025 01 0



Cleaning putty

FEIN cleaning putty gently removes deposits from paintwork and glass such as paint overspray, surface rust, tar, tree gums, insects, environmental deposits and brake dust from rims.

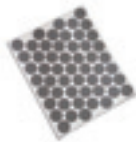
Part number
6 37 33 007 01 0



Microfibre cloth

Fine weave quality for cleaning polishing residue. Hem-free version means no scratches and no lint

Part number
6 37 33 003 01 0



Sanding disc

Micro-fine self-adhesive sandpaper, 2800 grain, for treating lacquer faults such as lacquer inclusions. 1 sheet of 53 sanding discs, Ø 30 mm. Fits on hand sanding block 6 37 33 002 01 0

Part number
6 37 17 221 01 0



Humidification sponge

Easy-to-use foam cube for hygienic moisturizing the sanding discs.

Part number
6 37 33 001 01 0



Sanding block

Easy-to-use sanding block for holding self-adhesive sanding discs on both sides.

Part number
6 37 33 002 01 0



FEIN single-stage polish

Ideal for slightly to severely damaged scratch-resistant paintwork. Excellent shine results in just one step. Silicone-free. Also ideal for gelcoat applications on yachts.

Contents kg	Part number
1	6 37 26 014 01 0



Backing pad

with Velcro attachment, M 14

Ø mm	Part number
80	6 38 06 179 01 5
125	6 38 06 169 01 6
130	6 38 06 178 01 1
150	6 38 06 170 01 8



Backing pad

for lamb's fleece with tensioning cord, rubber coated, M 14

Ø mm	Part number
120	6 38 06 012 00 8



Polishing sponge

For polishing painted surfaces. Various hardness grades: soft for new paintwork, medium for slightly weathered paintwork and applying wax, hard for severely weathered paintwork. Quick hook and loop fastening, height 40 mm.

Ø mm	Model	Part number
100	soft	6 37 23 024 01 8
100	hard	6 37 23 023 01 0
125	medium	6 37 23 017 01 0
150	medium	6 37 23 018 01 8



Polishing sponge orange 150 mm

Polishing sponge with fine pores, medium hard for new and old lacquers Ø 150 mm

Part number
6 37 23 028 01 0



Waffled sponge

Extremely fine and soft polishing sponge for removing holograms on dark lacquers. Ø 150 mm

Part number
6 37 23 029 01 0



Lambskin

with tensioning cord

Ø mm	Part number
120	6 37 23 007 00 2



Lambskin

with Velcro rapid attachment.

Ø mm	Part number
125	6 37 23 008 00 0
150	6 37 23 009 00 4



FEIN top wax paint seal

Long-lasting paint seals thanks to high-quality natural and synthetic waxes. For a sensational shine. Silicone-free.

Contents kg	Part number
1	6 37 26 015 01 0

Accessories for WPO 14-15 E



Backing pad

with Velcro attachment, M 14

Ø mm	Part number
170	6 38 06 187 01 0



Polishing sponge

Ø 195 mm for backing pads with a Ø of 170 mm, 6 38 06 187 01 0, M 14 with hook and loop fastening system. Recommended working speed 500-1,000 rpm.

Ø mm	Part number
195	6 37 23 034 01 0



Lamb's wool, dome shape

Diameter approx. 230 mm for backing pads with a Ø of 170 mm, 6 38 06 187 01 0, M 14 with hook and loop fastening system. Recommended working speed 500-1,200 rpm. Quality TOPWOOL, fleece polishing wheel. Lamb's wool/synthetic blend, washable.

Ø mm	Part number
230	6 37 23 035 01 0



Sanding pad

With hook and loop fastening, Ø 150 mm with M 14 suction hole. Hole circle suitable for FEIN and other sanding materials.

Ø mm	Part number
150	6 38 06 188 01 0



Sanding sheets

perforated, Ø 150 mm, with Velcro rapid attachment
Application: Metal, car bodies, soldered points, welds, fibreglass.
Quality: high-performance emery canvas, fully synthetic-resin bonded, corundum. Features: highly stable, high sanding capacity.

Grain	No. in pack pcs	Part number
60	50	6 37 28 010 01 6



Sanding sheets

perforated, Ø 150 mm, with Velcro rapid attachment
Application: wood, paint, automotive paints, filler, fibreglass, plastics. Quality: fully synthetic-resin bonded, corundum. Feature: greatly reduces glazing, flexible.

Grain	No. in pack pcs	Part number
80	50	6 37 28 074 01 4
120	50	6 37 28 084 01 3
150	50	6 37 28 012 01 8
180	50	6 37 28 013 01 2
240	50	6 37 28 015 01 4
320	50	6 37 28 017 01 1



Sanding sheets

perforated, Ø 150 mm, with Velcro rapid attachment
Application: wood, paint, filler, automotive paints, fibreglass, plastics. Quality: fully synthetic-resin bonded, corundum. Feature: highly flexible.

Grain	No. in pack pcs	Part number
600	50	6 37 28 132 01 0
800	50	6 37 28 133 01 0
1 200	50	6 37 28 134 01 0



Set of sanding sheets

Includes 10 each of grit 60, 80, 120, 180, 240.

No. in pack pcs	Part number
50	6 37 28 074 02 0



Sanding fleece for antifoul

Sanding fleece for light sanding and sanding down of coats of antifoul product. Produces a stunning sanding pattern without choking the sanding fleece. Very long service life.

Ø mm	No. in pack pcs	Part number
150	5	6 37 32 004 01 0



Protect.suction hood

Part number
3 18 10 264 01 0



Connecting piece

Universal device to connect power tools and accessories with dust extraction to vacuum cleaner. Flexible rubber sleeve, length 70 mm, inner diameter 31.5 mm.

Part number
3 13 22 771 00 9

Accessories for WPO 10-25 E, WPO 14-15 E

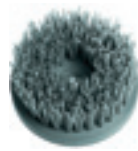


Tool case

Plastic, inner dimensions: 470 x 275 x 116 mm

Part number
3 39 01 118 01 0

Accessories for WPO 14-15 E, WPO 14-25 E



Nylon barrel brush

Ø 125 mm, grain 46, M 14, for brushing after removal by caustics, cleaning roof beams, restoration of antique furniture, roughing paint for new coats, deburring, and light derusting of metal parts

Part number
6 37 22 048 01 4

Accessories for WPO 14-15 E, WPO 14-15 XE



Backing pad

with Velcro attachment, M 14

Ø mm	Part number
200	6 38 06 171 01 7



Backing pad

for lamb's fleece with tensioning cord, rubber coated, M 14

Ø mm	Part number
170	6 38 06 030 00 4



Polishing sponge

For polishing painted surfaces. Various hardness grades: soft for new paintwork, medium for slightly weathered paintwork and applying wax, hard for severely weathered paintwork. Quick hook and loop fastening, height 40 mm.

Ø mm	Model	Part number
160	soft	6 37 23 026 01 5
160	hard	6 37 23 025 01 2



Lambskin

with tensioning cord

Ø mm	Part number
170	6 37 23 003 00 3



Lambskin

with Velcro rapid attachment.

Ø mm	Part number
200	6 37 23 010 00 6



Over 40 years of experience: oscillating power tools from FEIN.

Backed by the unique experience acquired over more than 40 years of oscillation technology, FEIN offers three systems FEIN MULTIMASTER, FEIN SUPERCUT CONSTRUCTION and FEIN SUPERCUT AUTOMOTIVE - which make up an unbeatably versatile and powerful range of oscillating power tools. Each system is synonymous with professional application solutions and unrivalled load handling with a solution for every requirement. The FEIN SUPERCUT is the specialist for interior work with wood, repairing/replacing windows, tile restoration/ bathroom renovation, heating/sanitary installation, grout renewal, marine applications and vehicle glazing. As a universal system,

the FEIN MULTIMASTER is the right choice for everyone who strives for a versatile, professional tool. A wide range of accessories opens up a multitude of possible applications.



FEIN MULTIMASTER / MULTITALENT

Page 206

The universal system for interior work and renovation.

STARLOCK PLUS



FEIN SUPERCUT CONSTRUCTION

Page 210

The most powerful system for interior work and renovation.

STARLOCK MAX



FEIN SUPERCUT CONSTRUCTION

Page 224

The most powerful system for interior work and renovation.



FEIN SUPERCUT AUTOMOTIVE

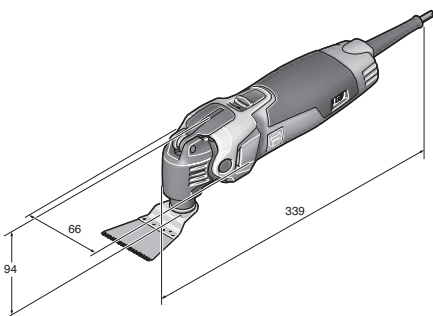
Page 230

The most powerful system for vehicle repairs.

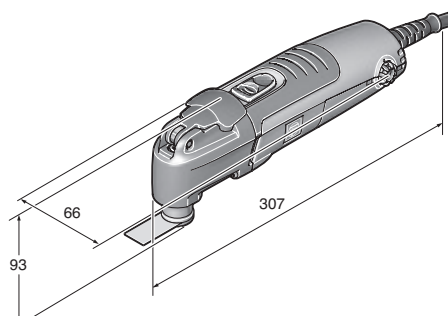


	FMM 350 QSL - FEIN MULTIMASTER Top	FMM 350 QSL - FEIN MULTIMASTER QuickStart	FMM 350 QSL - FEIN MULTIMASTER Top Extra	FMM 350 QSL - FEIN MULTIMASTER Marine	FMT 250 QSL - FEIN MULTITALENT QuickStart	FMT 250 SL - FEIN MULTITALENT Start	
	The powerful and universal system for interior work and renovation with the most extensive accessories for a fantastic range of applications.	The powerful and universal system for interior work and renovation with accessories for a wide range of applications.	The powerful and universal system for interior work and renovation with very wide range of accessories for outstanding versatility, including a versatile extractor.	The powerful and universal system with extensive accessories for interior, maintenance and repair work on yachts.	The universal system for interior work and renovation with QuickIN and the basic accessories needed for sanding and sawing.	The universal system for interior work and renovation with the basic accessories needed for sanding and sawing.	
Page	207	207	208	208	209	209	
Technical features	Input (W)	350	350	350	350	250	
	Oscillations (rpm)	10 000-19 500	10 000-19 500	10 000-19 500	10 000-19 500	11 000-20 000	
	Weight according to EPTA (kg)	1,4	1,4	1,4	1,4	1,4	
	Sanding pad width (mm)	80	80	80	80	80	
	Tool Holder	StarlockPlus	StarlockPlus	StarlockPlus	StarlockPlus	StarlockPlus	
	Tool change	QuickIN	QuickIN	QuickIN	QuickIN	QuickIN	Manual with screw, hexagon socket
	Amplitude (Degrees)	2 x 1,7	2 x 1,7	2 x 1,7	2 x 1,7	2 x 1,6	2 x 1,6
	Mechanical interface	●	●	●	●		

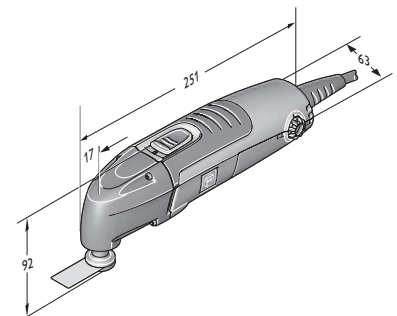
● included



FMM 350 QSL



FMT 250 QSL



FMT 250 SL



FMM 350 QSL - FEIN MULTIMASTER Top



For accessories, see page 213
For cordless variant of tool, see page 37

The powerful and universal system for interior work and renovation with the most extensive accessories for a fantastic range of applications.

Input	W	350
Oscillations	rpm	10 000-19 500
Weight according to EPTA	kg	1,4
Cable with plug	m	5
Sanding pad width	mm	80
Tool Holder		StarlockPlus
Tool change		QuickIN
Amplitude	Degrees	2 x 1,7
Part number		7 229 52 61 00 0
EAN		4014586884578

FEIN benefits:

- ▶ Self-supporting motor with vibration decoupling for outstanding vibration and noise reduction.
- ▶ Very powerful 350 W FEIN high-power motor for maximum cutting speeds and work progress.
- ▶ Maximum quality and stability thanks to metal gearbox head and consistent use of ball / needle bearings.
- ▶ Convenient QuickIN quick clamping system.
- ▶ Electronic speed setting with tachogenerator for constant speed even when loaded.
- ▶ Integrated interface for attaching additional system accessories.
- ▶ Optimum handling thanks to soft grip zone.
- ▶ StarlockPlus tool mounting with outstanding torque transfer, suitable for all Starlock and StarlockPlus accessories.
- ▶ Wide range of accessories available for all applications.

Price includes:

1 FEIN MULTIMASTER FMM 350 QSL, 1 sanding pad, Sanding sheets, 3 each of grit 60, 80, 120, 180, 1 Sanding plate with holes, Perforated sanding sheets, 3 each of grit 60, 80, 120, 180, 1 backing pad Ø 115 mm, perforated, Perforated sanding sheets, 2 each of grit 60, 80, 180, 1 dust extraction device, 1 fixed scraper, 1 E-CUT long-life saw blade (35 mm), 1 Universal E-CUT saw blade (44 mm), 1 E-CUT long-life saw blade (65 mm), 1 HSS segment saw blade, 1 carbide segment saw blade, 1 carbide rasp (triangular), perforated, 1 plastic carrying case

FMM 350 QSL - FEIN MULTIMASTER QuickStart



For accessories, see page 213
For cordless variant of tool, see page 37

The powerful and universal system for interior work and renovation with accessories for a wide range of applications.

Input	W	350
Oscillations	rpm	10 000-19 500
Weight according to EPTA	kg	1,4
Cable with plug	m	5
Sanding pad width	mm	80
Tool Holder		StarlockPlus
Tool change		QuickIN
Amplitude	Degrees	2 x 1,7
Part number		7 229 52 62 00 0
EAN		4014586884691

FEIN benefits:

- ▶ Self-supporting motor with vibration decoupling for outstanding vibration and noise reduction.
- ▶ Very powerful 350 W FEIN high-power motor for maximum cutting speeds and work progress.
- ▶ Maximum quality and stability thanks to metal gearbox head and consistent use of ball / needle bearings.
- ▶ Convenient QuickIN quick clamping system.
- ▶ Electronic speed setting with tachogenerator for constant speed even when loaded.
- ▶ Integrated interface for attaching additional system accessories.
- ▶ Optimum handling thanks to soft grip zone.
- ▶ StarlockPlus tool mounting with outstanding torque transfer, suitable for all Starlock and StarlockPlus accessories.
- ▶ Wide range of accessories available for all applications.

Price includes:

1 FEIN MULTIMASTER FMM 350 QSL, 1 sanding pad, Sanding sheets, 3 each of grit 60, 80, 120, 180, 1 fixed scraper, 1 Universal E-CUT saw blade (44 mm), 1 E-CUT long-life saw blade (65 mm), 1 HSS segment saw blade, 1 plastic carrying case

FMM 350 QSL - FEIN MULTIMASTER Top Extra



For accessories, see page 213
For cordless variant of tool, see page 37

The powerful and universal system for interior work and renovation with very wide range of accessories for outstanding versatility, including a versatile extractor.

Input	W	350
Oscillations	rpm	10 000-19 500
Weight according to EPTA	kg	1,4
Cable with plug	m	5
Sanding pad width	mm	80
Tool Holder		StarlockPlus
Tool change		QuickIN
Amplitude	Degrees	2 x 1,7
Part number		7 229 52 63 00 0
EAN		4014586884462

FEIN benefits:

- ▶ Self-supporting motor with vibration decoupling for outstanding vibration and noise reduction.
- ▶ Very powerful 350 W FEIN high-power motor for maximum cutting speeds and work progress.
- ▶ Maximum quality and stability thanks to metal gearbox head and consistent use of ball / needle bearings.
- ▶ Convenient QuickIN quick clamping system.
- ▶ Electronic speed setting with tachogenerator for constant speed even when loaded.
- ▶ Integrated interface for attaching additional system accessories.
- ▶ Optimum handling thanks to soft grip zone.
- ▶ StarlockPlus tool mounting with outstanding torque transfer, suitable for all Starlock and StarlockPlus accessories.
- ▶ Wide range of accessories available for all applications.

Price includes:

1 FEIN MULTIMASTER FMM 350 QSL, 1 sanding pad, Sanding sheets, 3 each of grit 60, 80, 120, 180, 1 Sanding plate with holes, Perforated sanding sheets, 3 each of grit 60, 80, 120, 180, 1 backing pad Ø 115 mm, perforated, Perforated sanding sheets, 2 each of grit 60, 80, 180, 1 dust extraction device, 1 fixed scraper, 1 E-Cut long-life saw blade (35 mm), 1 Universal E-Cut saw blade (44 mm), 1 E-Cut long-life saw blade (65 mm), 1 HSS segment saw blade, 1 carbide segment saw blade, 1 carbide rasp (triangular), perforated, 1 plastic carrying case, 1 FEIN Dustex 25 L dust extractor

FMM 350 QSL - FEIN MULTIMASTER Marine



For accessories, see page 213
For cordless variant of tool, see page 37

The powerful and universal system with extensive accessories for interior, maintenance and repair work on yachts.

Input	W	350
Oscillations	rpm	10 000-19 500
Weight according to EPTA	kg	1,4
Cable with plug	m	5
Sanding pad width	mm	80
Tool Holder		StarlockPlus
Tool change		QuickIN
Amplitude	Degrees	2 x 1,7
Part number		7 229 52 66 00 0
EAN		4014586884851

FEIN benefits:

- ▶ Self-supporting motor with vibration decoupling for outstanding vibration and noise reduction.
- ▶ Very powerful 350 W FEIN high-power motor for maximum cutting speeds and work progress.
- ▶ Maximum quality and stability thanks to metal gearbox head and consistent use of ball / needle bearings.
- ▶ Convenient QuickIN quick clamping system.
- ▶ Electronic speed setting with tachogenerator for constant speed even when loaded.
- ▶ Integrated interface for attaching additional system accessories.
- ▶ Optimum handling thanks to soft grip zone.
- ▶ StarlockPlus tool mounting with outstanding torque transfer, suitable for all Starlock and StarlockPlus accessories.
- ▶ Wide range of accessories available for all applications.

Price includes:

1 FEIN MULTIMASTER FMM 350 QSL, 1 sanding pad, Sanding sheets, 3 each of grit 60, 80, 120, 180, 1 Sanding plate with holes, Perforated sanding sheets, 3 each of grit 60, 80, 120, 180, 1 backing pad Ø 115 mm, perforated, Perforated sanding sheets, 2 each of grit 60, 80, 180, 1 fixed scraper, 2 felt polishing pads, triangular, 2 felt polishing pads 115 mm in diameter, 1 dust extraction device, 1 carbide segment saw blade, 1 carbide file, 1 E-Cut long-life saw blade (10 mm), 1 of each deck cutter blade (4+5 mm), 1 Universal E-Cut saw blade (44 mm), 1 E-Cut long-life saw blade (35 mm), 1 HSS saw blade (diameter 85 mm), 1 plastic carrying case



FMT 250 QSL - FEIN MULTITALENT QuickStart



For accessories, see page 213
For cordless variant of tool, see page 37

The universal system for interior work and renovation with QuickIN and the basic accessories needed for sanding and sawing.

Input	W	250
Oscillations	rpm	11 000-20 000
Weight according to EPTA	kg	1,4
Cable with plug	m	5
Sanding pad width	mm	80
Tool Holder		StarlockPlus
Tool change		QuickIN
Amplitude	Degrees	2 x 1,6
Part number		7 229 53 61 00 0
EAN		4014586884905

FEIN benefits:

- ▶ Maximum quality and stability thanks to metal gearbox head and consistent use of ball / needle bearings.
- ▶ Powerful 250 W FEIN high-power motor designed for continuous use.
- ▶ Convenient accessory changes without the need for extra tooling with the QuickIN clamping system.
- ▶ Electronic speed setting.
- ▶ Optimum handling thanks to soft grip zone.
- ▶ StarlockPlus tool mounting with outstanding torque transfer, suitable for all Starlock and StarlockPlus accessories.
- ▶ Wide range of accessories available for all applications.

Price includes:

1 FEIN MULTITALENT FMT 250 QSL, 1 sanding pad, Sanding sheets, 3 each of grit 80, 120, 180, 1 Universal E-CUT saw blade (44 mm)

FMT 250 SL - FEIN MULTITALENT Start



For accessories, see page 213
For cordless variant of tool, see page 37

The universal system for interior work and renovation with the basic accessories needed for sanding and sawing.

Input	W	250
Oscillations	rpm	11 000-20 000
Weight according to EPTA	kg	1,3
Cable with plug	m	5
Sanding pad width	mm	80
Amplitude	Degrees	2 x 1,6
Tool Holder		StarlockPlus
Tool change		Manual with screw, hexagon socket
Part number		7 229 54 61 00 0
EAN		4014586885025

FEIN benefits:

- ▶ Maximum quality and stability thanks to metal gearbox head and consistent use of ball / needle bearings.
- ▶ Powerful 250 W FEIN high-power motor designed for continuous use.
- ▶ Electronic speed setting.
- ▶ Optimum handling thanks to soft grip zone.
- ▶ StarlockPlus tool mounting with outstanding torque transfer, suitable for all Starlock and StarlockPlus accessories.
- ▶ Manual tool change with tightening key.
- ▶ Wide range of accessories available for all applications.

Price includes:

1 FEIN MULTITALENT FMT 250, 1 sanding pad, Sanding sheets, 3 each of grit 80, 120, 180, 1 Universal E-CUT saw blade (44 mm), 1 plastic carrying case



	FSC 500 QSL	FEIN professional set for interior work with wood	FEIN professional set for repairing/replacing windows	FEIN professional set for tile restoration/bathroom renovation	FEIN professional set for heating/sanitary installation	FEIN composite professional set
	The powerful oscillator with quick clamping system for interior fitting and renovation.	The most powerful system for interior work and renovation with special accessories for fast and precise sawing work when fitting wood.	The most powerful system for interior work and renovation with special accessories for dismantling old windows and replacing putty-mounted insulating glass.	The most powerful system for interior work and renovation with special accessories for perfect removal of tiles and joints in bathroom renovation.	The most powerful system for interior work and renovation with special accessories for the key applications in sanitary repairs.	The most powerful system for interior work and renovation, for all key applications in the machining of CFRP and GRP parts.
Page	211	211	211	212	212	212
Technical features	Input (W)	450	450	450	450	450
	Output (W)	250	250	250	250	250
	Oscillations (rpm)	10 000-19 500	10 000-19 500	10 000-19 500	10 000-19 500	10 000-19 500
	Amplitude (Degrees)	2 x 2,0	2 x 2,0	2 x 2,0	2 x 2,0	2 x 2,0
	Weight according to EPTA (kg)	1,6	1,6	1,6	1,6	1,6
	Cable with plug (m)	5	5	5	5	5
	Tool Holder	StarlockMax	StarlockMax	StarlockMax	StarlockMax	StarlockMax
	Tool change	QuickIN	QuickIN	QuickIN	QuickIN	QuickIN
Mechanical interface	●	●	●	●	●	●

- included

FSC 500 QSL



For accessories, see page 213
For cordless variant of tool, see page 40

The powerful oscillator with quick clamping system for interior fitting and renovation.

Input	W	450
Output	W	250
Oscillations	rpm	10 000-19 500
Amplitude	Degrees	2 x 2,0
Cable with plug	m	5
Weight according to EPTA	kg	1,6
Tool Holder		StarlockMax
Tool change		QuickIN
Part number		7 229 46 61 00 0
EAN		4014586885247

FEIN benefits:

- ▶ Maximum quality and stability thanks to the use of ball / needle roller bearings and a motor and gearbox designed for continuous use at high load.
- ▶ Convenient QuickIN quick clamping system.
- ▶ StarlockMax tool mounting with outstanding torque transfer, suitable for all Starlock, StarlockPlus and StarlockMax accessories.
- ▶ Powerful oscillating motion (amplitude 2 x 2.0 degrees) for maximum work progress.
- ▶ Electronic speed control
- ▶ FEIN high-power motor for extraordinary performance
- ▶ Wide range of accessories available for all applications.

Price includes:

1 FEIN SUPERCUT FSC 500 QSL, 1 plastic carrying case

FEIN professional set for interior work with wood



For accessories, see page 213
For cordless variant of tool, see page 40

The most powerful system for interior work and renovation with special accessories for fast and precise sawing work when fitting wood.

Input	W	450
Output	W	250
Oscillations	rpm	10 000-19 500
Amplitude	Degrees	2 x 2,0
Cable with plug	m	5
Weight according to EPTA	kg	1,6
Tool Holder		StarlockMax
Tool change		QuickIN
Part number		7 229 46 62 00 0
EAN		4014586885308

FEIN benefits:

- ▶ Maximum quality and stability thanks to the use of ball / needle roller bearings and a motor and gearbox designed for continuous use at high load.
- ▶ Convenient QuickIN quick clamping system.
- ▶ StarlockMax tool mounting with outstanding torque transfer, suitable for all Starlock, StarlockPlus and StarlockMax accessories.
- ▶ Clean cuts even by hand; no clamping of the workpiece necessary
- ▶ Powerful oscillating motion for maximum work progress
- ▶ Can also be converted to a delta sander

Price includes:

1 FEIN SUPERCUT FSC 500 QSL, 1 HSS saw blade wood Ø 100 mm, 1 depth stop, 2 E-CUT precision BIM saw blades (form 205, 208), 5 E-CUT long-life saw blades (form 183, 160, 161, 201, 203), 2 E-CUT universal saw blades (form 151, 152), 1 sanding pad, 5 Sanding sheets each grit size (K 80, 120, 180), 1 plastic carrying case

FEIN professional set for repairing/replacing windows



For accessories, see page 213
For cordless variant of tool, see page 40

The most powerful system for interior work and renovation with special accessories for dismantling old windows and replacing putty-mounted insulating glass.

Input	W	450
Output	W	250
Oscillations	rpm	10 000-19 500
Amplitude	Degrees	2 x 2,0
Cable with plug	m	5
Weight according to EPTA	kg	1,6
Tool Holder		StarlockMax
Tool change		QuickIN
Part number		7 229 46 63 00 0
EAN		4014586885353

FEIN benefits:

- ▶ Maximum quality and stability thanks to the use of ball / needle roller bearings and a motor and gearbox designed for continuous use at high load.
- ▶ Convenient QuickIN quick clamping system.
- ▶ StarlockMax tool mounting with outstanding torque transfer, suitable for all Starlock, StarlockPlus and StarlockMax accessories.
- ▶ Extracting of old window frames without damaging the walls or the plaster
- ▶ Repair of the insulation windows without breaking the old panes
- ▶ Cuts time required by up to 80%

Price includes:

1 FEIN SUPERCUT FSC 500 QSL, 1 HSS saw blade wood Ø 100 mm, 1 HSS saw blade for metal (diameter 100 mm), 1 E-CUT long-life saw blade (form 203), 1 E-CUT universal saw blade (form 152), 1 Cutter blade, mushroom shaped, 1 segment saw blade (form 244), 1 depth stop, 1 sanding pad, 5 Sanding sheets each grit size (K 80, 120, 180), 1 plastic carrying case

FEIN professional set for tile restoration/bathroom renovation



For accessories, see page 213
For cordless variant of tool, see page 40

The most powerful system for interior work and renovation with special accessories for perfect removal of tiles and joints in bathroom renovation.

Input	W	450
Output	W	250
Oscillations	rpm	10 000-19 500
Amplitude	Degrees	2 x 2,0
Cable with plug	m	5
Weight according to EPTA	kg	1,6
Tool Holder		StarlockMax
Tool change		QuickIN
Part number		7 229 46 64 00 0
EAN		4014586885360

FEIN benefits:

- ▶ Maximum quality and stability thanks to the use of ball / needle roller bearings and a motor and gearbox designed for continuous use at high load.
- ▶ Convenient QuickIN quick clamping system.
- ▶ StarlockMax tool mounting with outstanding torque transfer, suitable for all Starlock, StarlockPlus and StarlockMax accessories.
- ▶ Also ideal for all fitting work
- ▶ Minimal dirt and dust
- ▶ Powerful oscillating motion (amplitude 2 x 2.0 degrees) for maximum work progress

Price includes:

1 FEIN SUPERCUT FSC 500 QSL, 1 segment blade, diamond-coated (form 243), 1 carbide saw blade, diameter 105 mm (form 214), 2 E-CUT universal saw blades (form 151, 152), 1 Cutter blade, mushroom shaped, 1 Stopper knife, 2 Rasps, carbide-coated, triangular, perforated for dust extractor, 1 plastic carrying case

FEIN professional set for heating/sanitary installation



For accessories, see page 213
For cordless variant of tool, see page 40

The most powerful system for interior work and renovation with special accessories for the key applications in sanitary repairs.

Input	W	450
Output	W	250
Oscillations	rpm	10 000-19 500
Amplitude	Degrees	2 x 2,0
Cable with plug	m	5
Weight according to EPTA	kg	1,6
Tool Holder		StarlockMax
Tool change		QuickIN
Part number		7 229 46 65 00 0
EAN		4014586885407

FEIN benefits:

- ▶ Maximum quality and stability thanks to the use of ball / needle roller bearings and a motor and gearbox designed for continuous use at high load.
- ▶ Convenient QuickIN quick clamping system.
- ▶ StarlockMax tool mounting with outstanding torque transfer, suitable for all Starlock, StarlockPlus and StarlockMax accessories.
- ▶ Also ideal for all fitting work
- ▶ Minimal dirt and dust
- ▶ Powerful oscillating motion (amplitude 2 x 2.0 degrees) for maximum work progress

Price includes:

1 FEIN SUPERCUT FSC 500 QSL, 1 segment blade, diamond-coated (form 243), 1 of each cutting tool (12, 13 and 22 mm), 1 cutter blade, straight, long (form 239), 2 E-CUT universal saw blades (form 151, 152), 1 Stopper knife, 1 carbide-coated rasp, triangular, perforated for dust extraction, 1 plastic carrying case

FEIN composite professional set



For accessories, see page 213
For cordless variant of tool, see page 40

The most powerful system for interior work and renovation, for all key applications in the machining of CFRP and GRP parts.

Input	W	450
Output	W	250
Oscillations	rpm	10 000-19 500
Amplitude	Degrees	2 x 2,0
Cable with plug	m	5
Weight according to EPTA	kg	1,6
Tool Holder		StarlockMax
Tool change		QuickIN
Part number		7 229 46 67 00 0
EAN		4014586885414

FEIN benefits:

- ▶ Maximum quality and stability thanks to the use of ball / needle roller bearings and a motor and gearbox designed for continuous use at high load.
- ▶ Convenient QuickIN quick clamping system.
- ▶ StarlockMax tool mounting with outstanding torque transfer, suitable for all Starlock, StarlockPlus and StarlockMax accessories.
- ▶ Powerful oscillating motion (amplitude 2 x 2.0 degrees) for maximum work progress
- ▶ Design principle ensures extremely low dust emission when sawing.
- ▶ Complete equipment for sawing, filing and repair work on CFRP and GRP parts.

Price includes:












1 FEIN SUPERCUT FSC 500 QSL, 1 E-CUT universal saw blade (form 152), 1 diamond saw blade, diameter 105 mm, 1 E-CUT carbide saw blade (form 191), 1 carbide file, 1 sanding pad, 5 Sanding sheets each grit size (K 80, 120, 180), 1 carbide-coated rasp, triangular, perforated for dust extraction, 1 dust extraction device, 1 plastic carrying case

Starlock: The new system standard for oscillating power tools.

Combined with the new FEIN tools, Starlock enables extremely reliable and fast accessory changes in a record time of less than 3 seconds. It also guarantees a secure fit and therefore optimum power transfer. The result: up to around 35% faster work progress depending on the accessory, noticeably improved precision and reduced noise. The new accessories are of course 100% compatible with all older FEIN oscillators on the market. To protect the individual tools from overload and damage, the system is divided into 3 performance classes: Starlock, StarlockPlus and StarlockMax. What has not changed: New products are con-

tinually being added to the range of FEIN genuine accessories, which is the largest accessory range on the market. The performance potential of an oscillating tool can only be fully exploited with the right accessories. The exceptional quality and service life of FEIN genuine accessories combined with the perfect results delivers excellent value for money. FEIN genuine accessories are always the best choice.

The following table shows at a glance which accessory suits which product:

	 STARLOCK	 STARLOCK PLUS	 STARLOCK MAX	
Universal Starlock fitting, suitable for all popular multi-function tools.				
StarlockPlus fitting, suitable for all popular multi-function tools with StarlockPlus and StarlockMax fitting and for all FEIN MULTITALENT and MULTIMASTER tools up until 04/16.				
StarlockMax fitting, can be used on all multi-function tools with suitable fitting. With adapter, suitable for all FEIN SUPERCUT before 04/16 too.				
FEIN SUPERCUT 12-sided fitting, suitable for all FEIN SUPERCUT FSC 2.0 (Q), FSC 1.6 (Q), (A)FSC 1.7 (Q), AFSC 18.				
Starlock (SL)	SL	SLP	SLM	
BOSCH GOP 12 V-28 PMF 220 CE, PMF 250 CES	✓	✗	✗	✗
StarlockPlus (SLP)				
FEIN MULTITALENT: AFMT 12 SL, AFMT 12 QSL FMT 250 SL, FMT 250 QSL				
FEIN MULTIMASTER: AFMM 18 QSL FMM 350 QSL	✓	✓	✗	✗
BOSCH: GOP 30-28, GOP 40-30, GOP 18 V-28 PMF 350 CES				
StarlockMax (SLM)				
FEIN SUPERCUT: AFSC 18 QSL, AFSC 18 QCSL FSC 500 QSL	✓	✓	✓	✗
BOSCH GOP 55-36				
Compatibility with FEIN tools without Starlock mounting				
FEIN MULTITALENT/MULTIMASTER (- 03/2016)	✓	✓	✗	✗
FEIN SUPERCUT CONSTRUCTION (- 03/2016) FSC 2.0 Q, AFSC 18		✓		
FEIN SUPERCUT AUTOMOTIVE FSC 1.6 Q, FSC 1.7 Q, AFSC 1.7 Q, AFSC 1.7 QC		+ adapter 3 52 22 952 05 0		✓
FEIN SUPERCUT AUTOMOTIVE FSC 1.6, FSC 1.7		+ adapter 3 52 22 952 04 0		
Miscellaneous multi-tools				
Makita, Hitachi, Metabo, Milwaukee, AEG, Einhell, Ryobi, Skil, etc.	✓	✗	✗	✗

Starlock, the new standard tool mounting for multi-tools with patent pending, was jointly developed by FEIN and Bosch. Starlock, StarlockPlus and StarlockMax are registered trademarks of C. & E. Fein GmbH and Robert Bosch GmbH.

✓ compatible ✗ not compatible

Oscillating

Sawing



Saw blade

For all soft materials. Segmented, ideal for working in corners and on edges without overcutting.

Ø mm	Mount	Part number
85	SL	6 35 02 113 21 0



HSS saw blade

Solid HSS saw blade with metal teeth for sheet metal up to approx. 1 mm. Also for plastics, fibreglass-reinforced plastic, wood, putty and copper/copper alloys. Outstanding cutting speed. Clean, thin cutting line. Circular shape delivers good cost-effectiveness.

Ø mm	No. in pack pcs	Mount	Part number
85	1	SL	6 35 02 097 21 0
85	2	SL	6 35 02 097 22 0
85	5	SL	6 35 02 097 23 0



HSS saw blade

Solid HSS saw blade with metal teeth for sheet metal up to approx. 1 mm. Also for plastics, fibreglass-reinforced plastic, wood, putty and copper/copper alloys. Outstanding cutting speed. Clean, thin cutting line. Segmented, ideal for working in corners and on edges without overcutting.

Ø mm	No. in pack pcs	Mount	Part number
85	1	SL	6 35 02 106 21 0
85	2	SL	6 35 02 106 22 0
85	5	SL	6 35 02 106 23 0



HSS saw blade

Bimetal for long tool life. Metal teeth for sheet metal up to approx. 1 mm. Also for plastics, fibreglass-reinforced plastic, wood, putty and copper/copper alloys. Work flush with the surface. Circular shape delivers good cost-effectiveness.

Ø mm	No. in pack pcs	Mount	Part number
85	1	SL	6 35 02 174 21 0
85	5	SL	6 35 02 174 23 0



HSS saw blade

Bimetal for long tool life. Metal teeth for sheet metal up to approx. 1 mm. Also for plastics, fibreglass-reinforced plastic, wood, putty and copper/copper alloys. Work flush with the surface. Circular shape and extra large diameter deliver optimum cost-effectiveness.

Ø mm	No. in pack pcs	Mount	Part number
100	1	SLP	6 35 02 175 21 0
100	5	SLP	6 35 02 175 23 0



HSS saw blade

Bimetal for long tool life. Metal teeth for sheet metal up to approx. 1 mm. Also for plastics, fibreglass-reinforced plastic, wood, putty and copper/copper alloys. Work flush with the surface. Segmented, ideal for working in corners and on edges without overcutting.

Ø mm	No. in pack pcs	Mount	Part number
100	1	SLP	6 35 02 196 21 0
100	5	SLP	6 35 02 196 23 0



HSS saw blade

Bimetal for long tool life. Set wood teeth. Outstanding tool life, high cutting quality and speed. As "mini circular saw", ideal for long, straight cuts and for making cut-outs in laid parquet, laminate and wall panelling.

Ø mm	No. in pack pcs	Mount	Part number
100	1	SLP	6 35 02 176 21 0



HSS saw blade set

Bimetal for long tool life. Set wood teeth. Outstanding tool life, high cutting quality and speed. As "mini circular saw", ideal for long, straight cuts and for making cut-outs in laid parquet, laminate and wall panelling. The depth stop can also be used with many other FEIN accessories. For accurate working at depth. StarlockPlus fitting, suitable for all popular multi-function tools with StarlockPlus and StarlockMax fitting and for all FEIN MULTITALENT and MULTIMASTER tools up until 04/16. Scope of supply: 1 HSS saw blade, 1 depth stop (suitable for FMM 350 QSL, AFMM 18 QSL, AFSC 18 QSL, FSC 500 QSL)

Ø mm	Mount	Part number
100	SLP	3 52 22 952 01 0



Contact guard

Spare contact guard for HSS saw blade 6 35 02 176 21 0.

Part number
3 18 10 263 00 0



Depth stop

Depth stop for all saw blades. For accurate working at depth. Effective protection for blade and workpiece. Contents: 1 adapter for attachment to the machine, rotates freely through 360°. 1 depth stop, 1 depth-adjustable guide block. Can only be used with (A)FMM or (A)FSC.

Part number
3 21 27 069 01 0



Best of E-Cut accessory set

Includes 6 different E-Cut saw blades with bimetallic teeth at a special price in a practical plastic storage box. Contents: E-Cut universal saw blades (1 x 28 mm and 1 x 44 mm wide) and E-Cut long-life saw blades (2 x 35 mm and 2 x 65 mm wide).

Mount	Part number
SLP	3 52 22 942 05 0



E-Cut-Combo

Collection of the 3 most popular FEIN E-Cut saw blades for universal use. Better value than buying items separately. Perfectly equipped for all sawing applications. Supplied: 1 E-Cut long-life saw blade 35 mm wide, 1 E-Cut long-life saw blade 65 mm wide and 1 E-Cut universal saw blade 44 mm wide.

Mount	Part number
SLP	3 52 22 952 03 0



E-Cut long-life saw blade

Bimetal with set wood teeth for all wood, plasterboard and plastic materials. Outstanding tool life, high cutting quality and speed. Extremely robust, not affected by nails (up to diameter of approx. 4 mm) in wood, masonry etc. Short, very narrow shape for the smallest of recesses.

Length mm	Width mm	No. in pack pcs	Mount	Part number
30	10	1	SL	6 35 02 184 21 0
30	10	3	SL	6 35 02 184 22 0
30	10	5	SL	6 35 02 184 23 0
30	10	10	SL	6 35 02 184 24 0
30	10	50	SL	6 35 02 184 25 0
34	20	1	SL	6 35 02 183 21 0
34	20	3	SL	6 35 02 183 22 0
34	20	5	SL	6 35 02 183 23 0
34	20	10	SL	6 35 02 183 24 0
34	20	50	SL	6 35 02 183 25 0



E-Cut long-life saw blade

Bimetal with set wood teeth for all wood, plasterboard and plastic materials. Outstanding tool life, high cutting quality and speed. Extremely robust, not affected by nails (up to diameter of approx. 4 mm) in wood, masonry etc. Medium width, with waist for optimum cutting speed and good swarf removal.

Length mm	Width mm	No. in pack pcs	Mount	Part number
50	35	1	SL	6 35 02 160 21 0
50	35	3	SL	6 35 02 160 22 0
50	35	5	SL	6 35 02 160 23 0
50	35	10	SL	6 35 02 160 24 0
50	35	50	SL	6 35 02 160 25 0



E-Cut long-life saw blade

Bimetal with set wood teeth for all wood, plasterboard and plastic materials. Outstanding tool life, high cutting quality and speed. Extremely robust, not affected by nails (up to diameter of approx. 4 mm) in wood, masonry etc. Wide shape for maximum cutting performance and long, straight cuts.

Length mm	Width mm	No. in pack pcs	Mount	Part number
50	65	1	SLP	6 35 02 161 21 0
50	65	3	SLP	6 35 02 161 22 0
50	65	5	SLP	6 35 02 161 23 0
50	65	10	SLP	6 35 02 161 24 0
50	65	50	SLP	6 35 02 161 25 0



E-Cut standard saw blade

Set teeth for all wood, plasterboard and plastic materials, high cutting quality and speed. Medium width, with waist for optimum cutting speed and good swarf removal.

Length mm	Width mm	No. in pack pcs	Mount	Part number
50	35	1	SL	6 35 02 133 21 0
50	35	3	SL	6 35 02 133 22 0
50	35	5	SL	6 35 02 133 23 0
50	35	10	SL	6 35 02 133 24 0
50	35	50	SL	6 35 02 133 25 0



E-Cut standard saw blade

Set teeth for all wood, plasterboard and plastic materials, high cutting quality and speed. Wide shape for maximum cutting performance and long, straight cuts.

Length mm	Width mm	No. in pack pcs	Mount	Part number
50	65	1	SLP	6 35 02 134 21 0
50	65	3	SLP	6 35 02 134 22 0
50	65	5	SLP	6 35 02 134 23 0
50	65	10	SLP	6 35 02 134 24 0
50	65	50	SLP	6 35 02 134 25 0



E-Cut precision BIM saw blade

Bimetal with double-row Japan teeth for all wooden materials, plasterboard and soft plastics. Improved tool life and robustness. The fastest cutting speed and maximum precision. Narrow, with waist for optimum cutting speed and good swarf removal.

Length mm	Width mm	No. in pack pcs	Mount	Part number
50	35	1	SL	6 35 02 205 21 0
50	35	3	SL	6 35 02 205 22 0
50	35	5	SL	6 35 02 205 23 0
50	35	10	SL	6 35 02 205 24 0
50	35	50	SL	6 35 02 205 25 0



E-Cut precision BIM saw blade

Bimetal with double-row Japan teeth for all wooden materials, plasterboard and soft plastics. Improved tool life and robustness. The fastest cutting speed and maximum precision. Medium width for various uses.

Length mm	Width mm	No. in pack pcs	Mount	Part number
50	45	1	SLP	6 35 02 206 21 0
50	45	3	SLP	6 35 02 206 22 0
50	45	5	SLP	6 35 02 206 23 0
50	45	10	SLP	6 35 02 206 24 0
50	45	50	SLP	6 35 02 206 25 0



E-Cut precision BIM saw blade

Bimetal with double-row Japan teeth for all wooden materials, plasterboard and soft plastics. Improved tool life and robustness. The fastest cutting speed and maximum precision. Wide shape for effective sawing.

Length mm	Width mm	No. in pack pcs	Mount	Part number
50	55	1	SLP	6 35 02 207 21 0
50	55	3	SLP	6 35 02 207 22 0
50	55	5	SLP	6 35 02 207 23 0
50	55	10	SLP	6 35 02 207 24 0
50	55	50	SLP	6 35 02 207 25 0



E-Cut precision BIM saw blade

Bimetal with double-row Japan teeth for all wooden materials, plasterboard and soft plastics. Improved tool life and robustness. The fastest cutting speed and maximum precision. Extra wide shape for maximum cutting performance and long, straight cuts.

Length mm	Width mm	No. in pack pcs	Mount	Part number
50	65	1	SLP	6 35 02 208 21 0
50	65	3	SLP	6 35 02 208 22 0
50	65	5	SLP	6 35 02 208 23 0
50	65	10	SLP	6 35 02 208 24 0
50	65	50	SLP	6 35 02 208 25 0



E-Cut precision saw blade

Double-row Japan teeth for all wooden materials, plasterboard and soft plastics. The fastest cutting speed and maximum precision. Narrow, with waist for optimum cutting speed and good swarf removal.

Length mm	Width mm	No. in pack pcs	Mount	Part number
50	35	1	SL	6 35 02 126 21 0
50	35	3	SL	6 35 02 126 22 0
50	35	5	SL	6 35 02 126 23 0
50	35	10	SL	6 35 02 126 24 0
50	35	50	SL	6 35 02 126 25 0



E-Cut precision saw blade

Double-row Japan teeth for all wooden materials, plasterboard and soft plastics. The fastest cutting speed and maximum precision. Medium width for various uses.

Length mm	Width mm	No. in pack pcs	Mount	Part number
50	45	1	SLP	6 35 02 198 21 0
50	45	3	SLP	6 35 02 198 22 0
50	45	5	SLP	6 35 02 198 23 0
50	45	10	SLP	6 35 02 198 24 0
50	45	50	SLP	6 35 02 198 25 0



E-Cut precision saw blade

Double-row Japan teeth for all wooden materials, plasterboard and soft plastics. The fastest cutting speed and maximum precision. Wide shape for effective sawing.

Length mm	Width mm	No. in pack pcs	Mount	Part number
50	55	1	SLP	6 35 02 199 21 0
50	55	3	SLP	6 35 02 199 22 0
50	55	5	SLP	6 35 02 199 23 0
50	55	10	SLP	6 35 02 199 24 0
50	55	50	SLP	6 35 02 199 25 0



E-Cut precision saw blade

Double-row Japan teeth for all wooden materials, plasterboard and soft plastics. The fastest cutting speed and maximum precision. Extra wide shape for maximum cutting performance and long, straight cuts.

Length mm	Width mm	No. in pack pcs	Mount	Part number
50	65	1	SLP	6 35 02 127 21 0
50	65	3	SLP	6 35 02 127 22 0
50	65	5	SLP	6 35 02 127 23 0
50	65	10	SLP	6 35 02 127 24 0
50	65	50	SLP	6 35 02 127 25 0



E-Cut universal saw blade

Bimetal with corrugated universal teeth. Wide range of applications for sheet metal up to 2 mm, aluminium profiles, copper pipes, wood, plasterboard and plastics.

Narrow, with waist for optimum cutting speed and good swarf removal.

Length mm	Width mm	No. in pack pcs	Mount	Part number
60	28	1	SLP	6 35 02 151 21 0
60	28	3	SLP	6 35 02 151 22 0
60	28	5	SLP	6 35 02 151 23 0
60	28	10	SLP	6 35 02 151 24 0
60	28	50	SLP	6 35 02 151 25 0



E-Cut universal saw blade

Bimetal with corrugated universal teeth. Wide range of applications for sheet metal up to 2 mm, aluminium profiles, copper pipes, wood, plasterboard and plastics.

Wide, with waist for optimum cutting speed and good swarf removal.

Length mm	Width mm	No. in pack pcs	Mount	Part number
60	44	1	SLP	6 35 02 152 21 0
60	44	3	SLP	6 35 02 152 22 0
60	44	5	SLP	6 35 02 152 23 0
60	44	10	SLP	6 35 02 152 24 0
60	44	50	SLP	6 35 02 152 25 0



E-Cut fine saw blade

Bimetal with fine teeth for sheet metal up to 2 mm, aluminium profiles, copper pipes. Also for fibreglass-reinforced plastic and other hard plastics. Extremely precise cuts which are very easy to control with particularly thin cutting line.

Medium width, with waist for optimum cutting speed and good swarf removal.

Length mm	Width mm	No. in pack pcs	Mount	Part number
50	30	1	SL	6 35 02 157 21 0
50	30	3	SL	6 35 02 157 22 0
50	30	5	SL	6 35 02 157 23 0
50	30	10	SL	6 35 02 157 24 0
50	30	50	SL	6 35 02 157 25 0



Carbide saw blade

Open teeth for perfect, clean cut edges in carbon fibre-reinforced plastic/fibreglass-reinforced plastic materials without delamination. Distortion-free, long, straight cuts at high cutting speed and with precision.

Extra thin version. Cutting width approx. 1.2 mm. Segmented, ideal for working in corners and on edges without overcutting.

Ø mm	Mount	Part number
90	SLP	6 35 02 187 21 0



Diamond-coated saw blade

Open teeth for perfect, clean cut edges in carbon fibre-reinforced plastic/fibreglass-reinforced plastic materials without delamination. Distortion-free, long, straight cuts at high cutting speed and with precision.

Diamond coating for outstanding service life. Extra thin version. Cutting width approx. 1.2 mm. Segmented, ideal for working in corners and on edges without overcutting.

Ø mm	Mount	Part number
90	SLP	6 35 02 188 21 0



E-Cut carbide saw blade

Gentle sawing with perfect, clean cut edges in carbon fibre-reinforced plastic/fibreglass-reinforced plastic materials without delamination. Particularly well suited to precise cut-outs and short cuts. Precise working into the corners and on edges.

Length mm	Width mm	Mount	Part number
50	35	SLP	6 35 02 191 21 0



E-Cut diamond saw blade

Diamond coating for outstanding service life. Gentle sawing with perfect, clean cut edges in carbon fibre-reinforced plastic/fibreglass-reinforced plastic materials without delamination. Particularly well suited to precise cut-outs and short cuts. Precise working into the corners and on edges.

Length mm	Width mm	Mount	Part number
50	35	SLP	6 35 02 193 21 0



Best of Renovation accessory set

34-part accessory set for a wide range of renovation jobs at a special price in a practical plastic storage box. Universal use for sawing, sanding, cutting and much more. Attractive savings over purchasing the items individually. Contents: E-Cut long-life saw blades (1 x 10 mm and 1 x 20 mm), E-Cut long-life saw blades (3 x 35 and 3 x 65 mm), E-Cut universal saw blades (1 x 28 mm and 1 x 44 mm), 1 segmented HSS saw blade, diameter 85 mm, 1 segmented carbide saw blade, diameter 90 mm, 1 carbide file 10 mm, 1 rigid short stopper knife, 1 unperforated triangular sanding pad, with sanding sheets 3 each of 60, 80, 120, 180 grit, 1 backing pad, diameter 115 mm with sanding sheets, 2 each of 60, 80, 180 grit.

Mount	Part number
SLP	3 52 22 942 06 0

Grinding



Best of Sanding accessory set

61-part accessory set for all sanding work on corners and edges as well as medium to large surfaces in a practical plastic storage box. Attractive savings over purchasing the items individually. Contents: 1 x triangular unperforated sanding pad, with sanding sheets, 10 each of 60, 80, 120, 180 grit, 1 backing pad 115 mm in diameter with sanding sheets, 6 each of 60, 80, 180 grit, 1 triangular carbide rasp.

Mount	Part number
SLP	3 52 22 942 04 0



Sanding pad

Standard version. Plastic carrier plate for preventing damage and marks on the workpiece.

Triangular shape, hook and loop fastening.

No. in pack pcs	Mount	Part number
2	SL	6 38 06 129 22 0



Sanding pad

For very narrow, flat openings (e.g. slats on cupboards, window shutters). Plastic carrier plate for preventing damage and marks on the workpiece.

Triangular shape, flat version, hook and loop fastening.

No. in pack pcs	Mount	Part number
2	SL	6 38 06 142 22 0



Sanding pad

For special areas of application such as touching up aluminium rims and paint repairs. Plastic carrier plate for preventing damage and marks on the workpiece. Only use with "Sanding sheets, super-soft".

Triangular shape, super-soft version, hook and loop fastening.

No. in pack pcs	Mount	Part number
2	SL	6 38 06 141 22 0



Set of sanding sheets

50 sanding sheets of various grits for the universal use of coarse to fine sanding on virtually all materials. High sanding capacity, little clogging and long service life guaranteed thanks to corundum abrasive grit and full bonding with artificial resins. Content: sanding sheets, 10 each of grit 60, 80, 120, 180 and 240, non-perforated, with hook and loop fastening. Better value than buying items separately.

Part number
6 37 17 082 03 3



Sanding sheets

High sanding capacity, little clogging and long service life guaranteed thanks to corundum abrasive grit and full bonding with artificial resins. For universal use on virtually all materials. Non-perforated, hook and loop fastening.

Grain	No. in pack pcs	Part number
36	5	6 37 17 086 04 8
40	5	6 37 17 081 04 6
60	5	6 37 17 082 04 9
80	5	6 37 17 083 04 3
100	5	6 37 17 084 04 1
120	5	6 37 17 085 04 5
150	5	6 37 17 087 04 2
180	5	6 37 17 088 04 0
220	5	6 37 17 089 04 4
240	5	6 37 17 090 04 6
36	50	6 37 17 086 01 0
40	50	6 37 17 081 01 8
60	50	6 37 17 082 01 1
80	50	6 37 17 083 01 5
100	50	6 37 17 084 01 3
120	50	6 37 17 085 01 7
150	50	6 37 17 087 01 4
180	50	6 37 17 088 01 2
220	50	6 37 17 089 01 6
240	50	6 37 17 090 01 8



Sanding sheets, zirconium

Excellent sanding capacity on extremely hard surfaces such as varnish (e.g. parquet paint) or metal. The sanding sheet for all floor covering work. Extremely sturdy paper quality thanks to extremely tough full bonding with artificial resins and high-quality zirconium corundum coating. Non-perforated, hook and loop fastening.

Grain	No. in pack pcs	Part number
40	35	6 37 17 243 01 0
60	35	6 37 17 244 01 0
80	35	6 37 17 245 01 0



Supersoft sanding sheets

Special sanding sheets for machining aluminium rims, performing touch-up work on dust inclusions, dealing with paint runs, overspray on wood, plastic, metal, etc. Only to be used in conjunction with the sanding pad 6 38 06 141 02 6. Non-perforated, hook and loop fastening.

Grain	No. in pack pcs	Part number
240	50	6 37 17 126 01 5
320	50	6 37 17 127 01 9
400	50	6 37 17 128 01 7
500	50	6 37 17 179 01 6



Stone sanding sheets

Specially for working with natural and artificial stone. Available up to grit 800 for a perfect surface finish in fine sanding. Non-perforated, hook and loop fastening.

Grain	No. in pack pcs	Part number
40	50	6 37 17 120 01 4
80	50	6 37 17 121 01 3
120	50	6 37 17 122 01 6
220	50	6 37 17 123 01 0
320	50	6 37 17 124 01 8
400	50	6 37 17 125 01 2
600	50	6 37 17 175 01 7
800	50	6 37 17 176 01 0



Sanding pad

For use in very narrow and deep places, in channels, grooves, openings and folds. Also in mould-making, on concave forms and in convex forms. Plastic carrier plate for preventing damage and marks on the workpiece. Finger shape, hook and loop fastening.

No. in pack pcs	Mount	Part number
2	SL	6 38 06 159 22 0



Sanding sheets for sanding fingers

High sanding capacity, little clogging and long service life guaranteed thanks to corundum abrasive grit and full bonding with artificial resins. For universal use on virtually all materials. Non-perforated, hook and loop fastening.

Grain	No. in pack pcs	Part number
40	20	6 37 17 184 01 2



Sanding sheets for sanding fingers

With Velcro rapid attachment, fully bonded with artificial resin, high sanding capacity, corundum. For use on: wood, metal, soldered joints, fibreglass, plastic, paint, filler, leather. Pack of 20

Grain	No. in pack pcs	Part number
60	20	6 37 17 185 01 6
80	20	6 37 17 186 01 9
100	20	6 37 17 187 01 3
120	20	6 37 17 188 01 1
150	20	6 37 17 189 01 5
180	20	6 37 17 190 01 7
220	20	6 37 17 191 01 6
240	20	6 37 17 192 01 9



Profile grinding set

22-part set for sanding in grooves and on outside radii. Contents: 1 holder with 6 different profile inserts. 1 x V-form for 90° angle, 1 x trapezium form for tongue-and-groove connections, 1 x straight form for profiles, 1 x convex form (large), 1 x concave and 1 x convex form (small) and sanding sheets, 5 each of 80, 120 and 180 grit.

Part number
6 38 10 031 01 0



Sandpaper for profile sanding set

High sanding capacity, little clogging and long service life guaranteed thanks to corundum abrasive grit and full bonding with artificial resins. For universal use on virtually all materials, non-perforated.

Grain	No. in pack pcs	Part number
80	25	6 37 17 217 01 6
120	25	6 37 17 218 01 4
180	25	6 37 17 219 01 8



Sanding pad

Standard version for sanding with dust extraction. Plastic carrier plate for preventing damage and marks on the workpiece. Triangular shape, perforated version, hook and loop fastening.

No. in pack pcs	Mount	Part number
2	SL	6 38 06 136 22 0

Oscillating



Set of sanding sheets

50 sanding sheets of various grits for the universal use of coarse to fine sanding on virtually all materials. High sanding capacity, little clogging and long service life guaranteed thanks to corundum abrasive grit and full bonding with artificial resins. Content: sanding sheets, 10 each of grit 60, 80, 120, 180, 240, perforated, for use with perforated sanding pad and dust extraction, hook and loop fastening. Better value than buying items separately.

Part number
6 37 17 109 03 5



Sanding sheets, perforated

High sanding capacity, little clogging and long service life guaranteed thanks to corundum abrasive grit and full bonding with artificial resins. For universal use on virtually all materials. Perforated, for use with perforated sanding pad and dust extraction, hook and loop fastening.

Grain	No. in pack pcs	Part number
36	5	6 37 17 107 04 9
40	5	6 37 17 108 04 7
60	5	6 37 17 109 04 1
80	5	6 37 17 110 04 3
100	5	6 37 17 111 04 2
120	5	6 37 17 112 04 5
150	5	6 37 17 113 04 9
180	5	6 37 17 114 04 7
220	5	6 37 17 115 04 1
240	5	6 37 17 116 04 4
36	50	6 37 17 107 01 1
40	50	6 37 17 108 01 9
60	50	6 37 17 109 01 3
80	50	6 37 17 110 01 5
100	50	6 37 17 111 01 4
120	50	6 37 17 112 01 7
150	50	6 37 17 113 01 1
180	50	6 37 17 114 01 9
220	50	6 37 17 115 01 3
240	50	6 37 17 116 01 6



Sanding sheets, zirconium

Excellent sanding capacity on extremely hard surfaces such as varnish (e.g. parquet paint) or metal. The sanding sheet for all floor covering work. Extremely sturdy paper quality thanks to extremely tough full bonding with artificial resins and high-quality zirconium corundum coating. Perforated, for use with perforated sanding pad and dust extraction, hook and loop fastening.

Grain	No. in pack pcs	Part number
40	35	6 37 17 236 01 0
60	35	6 37 17 237 01 0
80	35	6 37 17 238 01 0



Sanding set

For quickly and cost-effectively sanding medium-sized surfaces. The alternative to eccentric or random sanders. No kick-back effect at edges. Easy to use, very good sanding capacity. Can be used with or without dust extraction. Plastic carrier plate for preventing damage and marks on the workpiece. Round shape, perforated version, hook and loop fastening. Scope of supply: 1 backing pad diameter 115 mm, with perforated sanding sheets, 2 each of grit 60, 80, 180.

Ø mm	Mount	Part number
115	SLP	6 38 06 195 21 0



Set of sanding sheets

16 sanding sheets of various grits for the universal use of coarse to fine sanding on virtually all materials. High sanding capacity, little clogging and long service life guaranteed thanks to corundum abrasive grit and full bonding with artificial resins. Content: sanding sheets, 4 each of grit 60, 80, 120, 180, 115 mm diameter, perforated, for use with and without dust extraction, hook and loop fastening. Better value than buying items separately.

Part number
6 37 17 227 01 0



Sanding sheets

High sanding capacity, little clogging and long service life guaranteed thanks to corundum abrasive grit and full bonding with artificial resins. For universal use on virtually all materials. 115 mm diameter, perforated, for use with and without dust extraction, hook and loop fastening.

Grain	No. in pack pcs	Part number
40	16	6 37 17 230 02 0
60	16	6 37 17 227 02 0
80	16	6 37 17 228 02 0
120	16	6 37 17 229 01 0
180	16	6 37 17 231 02 0
240	16	6 37 17 232 01 0



Sanding sheets, zirconium

Excellent sanding capacity on extremely hard surfaces such as varnish (e.g. parquet paint) or metal. The sanding sheet for all floor covering work. Extremely sturdy paper quality thanks to extremely tough full bonding with artificial resins and high-quality zirconium corundum coating. 115 mm diameter, perforated, for use with and without dust extraction, hook and loop fastening.

Grain	No. in pack pcs	Part number
40	12	6 37 17 233 01 0
60	12	6 37 17 234 01 0
80	12	6 37 17 235 01 0



Sanding sheet set, zirconium

12 sanding sheets with excellent sanding capacity on extremely hard surfaces such as varnish (e.g. parquet paint) or metal. The sanding sheet for all floor covering work. Extremely sturdy paper quality thanks to extremely tough full bonding with artificial resins and high-quality zirconium corundum coating. Content: sanding sheets, 4 each of grit 40, 60, 80, 115 mm diameter, perforated, for use with and without dust extraction, hook and loop fastening. Better value than buying items separately.

Part number
6 37 17 233 02 0

Cutting, filing



Carbide saw blade

For cutting out damaged tile joints. Also for cutting slots in plaster, porous concrete and similar building materials and for cleaning and reworking deck joints. Not suited to very hard epoxy resin or cement joints. The cost-effective alternative to diamond tools.

Segmented, ideal for working in corners and on edges without overcutting. Cutting width approx. 2.2 mm.

Ø mm	No. in pack pcs	Mount	Part number
90	1	SLP	6 35 02 169 21 0
90	5	SLP	6 35 02 169 23 0
75	1	SL	6 35 02 118 21 0
75	5	SL	6 35 02 118 23 0



Carbide saw blade

For cutting out damaged tile joints. Also for cutting slots in plaster, porous concrete and similar building materials and for cleaning and reworking deck joints. Not suited to very hard epoxy resin or cement joints. The cost-effective alternative to diamond tools.

Extra thin version. Cutting width approx. 1.2 mm. Segmented, ideal for working in corners and on edges without overcutting.

Ø mm	No. in pack pcs	Mount	Part number
90	1	SLP	6 35 02 170 21 0
90	5	SLP	6 35 02 170 23 0
75	1	SL	6 35 02 125 21 0
75	5	SL	6 35 02 125 23 0



Diamond-coated saw blade

For cutting out marble, epoxy resin and trass joints. Excellent service life. Also suited to very hard epoxy resin or cement joints. The right choice for frequent use and challenging jobs. Segmented, ideal for working in corners and on edges without overcutting. Cutting width approx. 2.2 mm.

Ø mm	No. in pack pcs	Mount	Part number
90	1	SLP	6 35 02 166 21 0
90	5	SLP	6 35 02 166 23 0
75	1	SL	6 35 02 114 21 0
75	5	SL	6 35 02 114 23 0



Diamond-coated saw blade

For cutting out marble, epoxy resin and trass joints. Excellent service life. Also suited to very hard epoxy resin or cement joints. The right choice for frequent use and challenging jobs. Extra thin version. Cutting width approx. 1.2 mm. Segmented, ideal for working in corners and on edges without overcutting.

Ø mm	No. in pack pcs	Mount	Part number
75	1	SL	6 35 02 216 21 0
75	5	SL	6 35 02 216 23 0
90	1	SLP	6 35 02 217 21 0
90	5	SLP	6 35 02 217 23 0



Carbide rasp

For rough sanding of fillers, tile adhesive, concrete, stone and wood. Triangular shape, edge length of 80 mm, perforated, can also be used with dust extraction.

Mount	Part number
SL	6 37 31 001 21 0



Carbide rasp

For rough sanding of fillers, tile adhesive, concrete, stone and wood. For use in very narrow and deep places, in channels, grooves, openings and folds. Also in mould-making, on concave forms and in convex forms and for artistic work. Finger shape, coating on both sides.

Mount	Part number
SLP	6 37 31 002 21 0



Tile joint cleaner

For quickly and cost-effectively cleaning very dirty tile joints. The alternative to a costly, complete renovation. Suitable for all widths of tile joint.

No. in pack pcs	Mount	Part number
2	SLP	6 37 19 011 22 0



Cleaning block

Rhombus for cleaning the carbide tools and diamond-coated tools.

Part number
6 37 19 007 01 0



Best of Tileworking accessory set

3-part accessory set for bathroom restoration and renovation in a practical plastic storage box. Attractive savings over purchasing the items individually. Contents: 1 triangular carbide rasp, 1 segmented diamond saw blade, diameter 90 mm, 1 segmented carbide saw blade, diameter 90 mm, extra thin.

Mount	Part number
SLP	3 52 22 942 07 0



Carbide file

For deburring and filing on CFRP, fibreglass-reinforced plastic, plastics and wood. Especially suitable for cutting out small recesses.

Length mm	Width mm	Mount	Part number
30	10	SLP	6 37 06 019 21 0



Saw and file set FMM

Ideal combination for cutting small recesses and working in tight spots, e.g. for numerous installation jobs, switch installation, model-building and more. Supplied: E-CUT long-life saw blade, 1 each of 10 mm and 20 mm, 1 carbide file 10 mm.

Mount	Part number
SLP	3 52 22 952 02 0

Cutting, scraping



Fixed Scraper Blade

Short version. For removing stubborn old paint, adhesive residues, carpets, tile adhesives and coats of underseal.

Mount	Part number
SL	6 39 03 226 21 0



Fixed Scraper Blade

Long version. For removing stubborn old paint, adhesive residues, carpets, tile adhesives and coats of underseal.

Mount	Part number
SLP	6 39 03 234 21 0



Flexible Scraper Blade

Short version. For removing silicone or acrylic joints in bathrooms and removing stickers.

Mount	Part number
SL	6 39 03 165 21 0



Cutting blade

For cutting away panelled deck sealant materials quickly and safely. Also ideal for difficult areas such as cabins, rails, gunwales, cleats, and curves.

Blade width mm	Mount	Part number
3	SLP	6 39 03 200 21 0
4	SLP	6 39 03 201 21 0
5	SLP	6 39 03 202 21 0
6	SLP	6 39 03 233 21 0



Cutting blade

Mushroom-shaped, for cutting silicone and soft putty material and for separating insulation glass units.

No. in pack pcs	Mount	Part number
5	SL	6 39 03 245 23 0



HSS circular knife

For universal cutting work in leather, plastic sheets, roofing fabric, cork etc.

Ø mm	Mount	Part number
100	SLP	6 39 03 235 21 0

Cleaning, polishing



Bristle fleece

Bristle fleece for cleaning boat decks or cleaning/polishing anti-slip structures.

VE St	Part number
2	6 37 23 031 01 0



Felt polishing pad

For polishing up metal parts, and for polishing and decorative polishing of stone and stone products. Can also be used to work with gelcoats on boats. Plastic carrier plate for preventing damage and marks on the workpiece. Burnishing compounds for the respective material are available from specialist retailers.

No. in pack pcs	Mount	Part number
2	SL	6 38 06 140 22 0



Felt polishing pad

Felt polishing pad for polishing boat decks (gelcoat), chrome, stainless steel, aluminium, copper and copper alloys.

VE	
St	Part number
5	6 37 23 032 01 0



Felt polishing pad

Diameter 115 mm, with hook and loop fastening. Versatile in use, for polishing chrome, stainless steel, polycarbonate materials and gelcoat boat decks, for polishing up scratched paint and removing tempering colours on exhaust systems.

VE	
St	Part number
5	6 37 23 036 01 0



Sanding sheets, foam backing

for removing scratches from paintwork, gelcoat, acrylic and polycarbonate glazing, lacquers, wood with a clear lacquer, furniture etc. For the best surface quality. 115 mm diameter with foam lamination, hook and loop fastening. Perfect as stage prior to polishing with felt polishing pad and FEIN EXTRA polish.

No. in pack	Grain	Part number
pcs		
5	500	6 37 17 246 01 0
5	1 000	6 37 17 247 01 0



Polishing liquid

FEIN polish EXTRA based on aluminium oxide for polishing gelcoat and removing scratches in vehicle paint.

Contents	
ml	Part number
250	6 37 26 030 01 0

General accessories



Table-top and drill jigs support

Perfect for precision cut-outs: the FEIN MULTIMASTER can be clamped to a table or work bench and the work piece safely fed to it. Clamping in drill stands with a standard 43 mm dia. collar clamp is possible.

Part number
9 26 02 083 01 0



Dust extraction set

2 perforated sanding pads; perforated sanding sheets, 5 each of grit 60, 80, 120; 1 extractor hood with suction pipe; 1 adapter; 2 felt seals. For MULTIMASTER FMM 350 Q / QSL.

Part number
9 26 02 091 00 0



Dust extraction set

2 sanding pads, perforated; sanding sheets, perforated, 5 each of grit 60, 80, 120; 1 extractor hood with suction pipe; 2 hose sockets for hose connection with a diameter of 27 and 32 mm and 2 adapters for connecting to the most common household vacuum cleaners. FMM 250 / 250 Q, FMT 250 / 250Q, FMT 250 SL / 250 QSL

Part number
9 26 02 092 00 0



Cutting paste

Lubricating agents for working on sheet metals.

Part number
3 21 32 020 12 9



Quick charger ALG 50

For all FEIN Li-ion batteries. Charge time from 35 min.

Part number
9 26 04 129 01 0



Quick charger ALG 30

For FEIN NiCd and Li-ion batteries. Charge time from 25 min.

Part number
9 26 04 096 01 0



Battery pack

Li-ion with charge indicator

Current/Voltages	Capacity	Part number
V	Ah	
18	5	9 26 04 173 02 0
18	2,5	9 26 04 171 02 0
12	2,5	9 26 04 168 02 0



Work gloves

Vibration-attenuating, certified according to EN 388/420, EN ISO 10819, EEC No. 0200, No. in pack 1 pair

Size	Part number
9 L	3 21 73 003 00 3
10 XL	3 21 73 004 00 1
11 XXL	3 21 73 005 00 5



Adapter for FEIN oscillator (up to 2004)

Spacer ring and clamping screw for older FEIN MULTIMASTER models MSx 636, MSx 636-1 and MSxe 636 II. Up to 40% improved torque transfer thanks to positive-fit connection to Starlock mounting on accessory side. Flat clamping screw for working flush with the surface.

Part number
3 52 22 927 05 0

Case



Carrying case unfilled

Plastic case with practical inner layout, tool and accessories not included. FMM 250 / 250 Q, FMT 250 / 250Q, FMT 250 SL / 250 QSL

Part number
3 39 01 144 01 0



Carrying case unfilled

Plastic case with practical inner layout, tool and accessories not included. FMM 350 Q / QSL

Part number
3 39 01 131 98 0



Systainer Sys 1

Plastic, inner dimensions: H 75 x W 383 x D 273 mm. The tool-specific Systainer insert must be ordered separately.

Part number
3 39 01 146 00 0

Systainer insert for FMM 350 Q / QSL

Part number
3 39 04 491 00 0

Sawing



E-Cut standard saw blade
Set teeth for all wood, plasterboard and plastic materials, high cutting quality and speed.
Long, narrow shape for large plunge depths. With waist for optimum cutting speed and good swarf removal.

Length mm	Width mm	No. in pack pcs	Mount	Part number
78	32	1	SLM	6 35 02 200 21 0
78	32	3	SLM	6 35 02 200 22 0
78	32	5	SLM	6 35 02 200 23 0
78	32	10	SLM	6 35 02 200 24 0
78	32	50	SLM	6 35 02 200 25 0



E-Cut long-life saw blade
Bimetal with set wood teeth for all wood, plasterboard and plastic materials. Outstanding tool life, high cutting quality and speed. Extremely robust, not affected by nails (up to diameter of approx. 4 mm) in wood, masonry etc.
Long, narrow shape for large plunge depths. With waist for optimum cutting speed and good swarf removal.

Length mm	Width mm	No. in pack pcs	Mount	Part number
78	32	1	SLM	6 35 02 201 21 0
78	32	3	SLM	6 35 02 201 22 0
78	32	5	SLM	6 35 02 201 23 0
78	32	10	SLM	6 35 02 201 24 0
78	32	50	SLM	6 35 02 201 25 0



E-Cut standard saw blade
Set teeth for all wood, plasterboard and plastic materials, high cutting quality and speed.
Long, wide shape for large plunge depths and effective working. With waist for optimum cutting speed and good swarf removal.

Length mm	Width mm	No. in pack pcs	Mount	Part number
78	42	1	SLM	6 35 02 202 21 0
78	42	3	SLM	6 35 02 202 22 0
78	42	5	SLM	6 35 02 202 23 0
78	42	10	SLM	6 35 02 202 24 0
78	42	50	SLM	6 35 02 202 25 0



E-Cut long-life saw blade
Bimetal with set wood teeth for all wood, plasterboard and plastic materials. Outstanding tool life, high cutting quality and speed. Extremely robust, not affected by nails (up to diameter of approx. 4 mm) in wood, masonry etc.
Long, wide shape for large plunge depths and effective working. With waist for optimum cutting speed and good swarf removal.

Length mm	Width mm	No. in pack pcs	Mount	Part number
78	42	1	SLM	6 35 02 203 21 0
78	42	3	SLM	6 35 02 203 22 0
78	42	5	SLM	6 35 02 203 23 0
78	42	10	SLM	6 35 02 203 24 0
78	42	50	SLM	6 35 02 203 25 0



Carbide saw blade
Open teeth for perfect, clean cut edges in carbon fibre-reinforced plastic/fibreglass-reinforced plastic materials without delamination. Distortion-free, long, straight cuts at high cutting speed and with precision.
Extra thin version. Cutting width approx. 1.2 mm.

Ø mm	Mount	Part number
105	SLM	6 35 02 215 21 0



Diamond-coated saw blade
Open teeth for perfect, clean cut edges in carbon fibre-reinforced plastic/fibreglass-reinforced plastic materials without delamination. Distortion-free, long, straight cuts at high cutting speed and with precision.
Diamond coating for outstanding service life. Extra thin version. Cutting width approx. 1.2 mm.

Ø mm	Mount	Part number
105	SLM	6 35 02 220 21 0



E-Cut diamond saw blade
Diamond coating for outstanding service life. Gentle sawing with perfect, clean cut edges in carbon fibre-reinforced plastic/fibreglass-reinforced plastic materials without delamination. Particularly well suited to precise cut-outs and short cuts. Precise working into the corners and on edges.

Length mm	Width mm	Mount	Part number
60	44	SLM	6 35 02 204 21 0



Segment saw blade
For cutting out putty-mounted isolation glass.

No. in pack pcs	Mount	Part number
2	SLM	6 39 03 244 22 0

Cutting, filing



Carbide saw blade
For cutting out marble, epoxy resin and trass joints. Not suited to very hard epoxy resin or cement joints. The cost-effective alternative to diamond tools.
Cutting width approx. 2,2 mm.

Ø mm	No. in pack pcs	Mount	Part number
105	1	SLM	6 35 02 213 21 0
105	5	SLM	6 35 02 213 23 0



Carbide saw blade
For cutting out very narrow marble, epoxy resin and trass joints. Not suited to very hard epoxy resin or cement joints. The cost-effective alternative to diamond tools.
Extra thin version. Cutting width approx. 1.2 mm.

Ø mm	No. in pack pcs	Mount	Part number
105	1	SLM	6 35 02 214 21 0
105	5	SLM	6 35 02 214 23 0



Carbide saw blade
For cutting out marble, epoxy resin and trass joints. Not suited to very hard epoxy resin or cement joints. The cost-effective alternative to diamond tools.
Segmented, ideal for working in corners and on edges without overcutting. Cutting width approx. 2.2 mm.

No. in pack pcs	Mount	Part number
1	SLM	6 39 03 241 21 0
5	SLM	6 39 03 241 23 0



Carbide saw blade
For cutting out very narrow marble, epoxy resin and trass joints. Not suited to very hard epoxy resin or cement joints. The cost-effective alternative to diamond tools.
Extra thin version. Cutting width approx. 1.2 mm. Segmented, ideal for working in corners and on edges without overcutting.

No. in pack pcs	Mount	Part number
1	SLM	6 39 03 240 21 0
5	SLM	6 39 03 240 23 0

Oscillating



Diamond-coated saw blade

For cutting out marble, epoxy resin and trass joints. Excellent service life. Also suited to very hard epoxy resin or cement joints. The right choice for frequent use and challenging jobs. Cutting width approx. 2,2 mm.

Ø mm	No. in pack pcs	Mount	Part number
105	1	SLM	6 35 02 218 21 0
105	5	SLM	6 35 02 218 23 0



Diamond-coated saw blade

For cutting out marble, epoxy resin and trass joints. Excellent service life. Also suited to very hard epoxy resin or cement joints. The right choice for frequent use and challenging jobs. Extra thin version. Cutting width approx. 1.2 mm.

Ø mm	No. in pack pcs	Mount	Part number
105	1	SLM	6 35 02 219 21 0
105	5	SLM	6 35 02 219 23 0



Cutting blade

Universal blade for virtually all expansion joints. Straight. Width 30 mm, cutting depth 60 mm.

No. in pack pcs	Mount	Part number
5	SLM	6 39 03 236 23 0



Diamond-coated saw blade

For cutting out marble, epoxy resin and trass joints. Excellent service life. Also suited to very hard epoxy resin or cement joints. The right choice for frequent use and challenging jobs. Segmented, ideal for working in corners and on edges without overcutting. Cutting width approx. 2.2 mm.

No. in pack pcs	Mount	Part number
1	SLM	6 39 03 243 21 0
5	SLM	6 39 03 243 23 0



Diamond-coated saw blade

For cutting out marble, epoxy resin and trass joints. Excellent service life. Also suited to very hard epoxy resin or cement joints. The right choice for frequent use and challenging jobs. Extra thin version. Cutting width approx. 1.2 mm. Segmented, ideal for working in corners and on edges without overcutting.

No. in pack pcs	Mount	Part number
1	SLM	6 39 03 242 21 0
5	SLM	6 39 03 242 23 0



Diamond cleaning knife

For cleaning mortar flanks before filling them in again. Straight. Width 31 mm, cutting depth 60 mm.

No. in pack pcs	Mount	Part number
1	SLM	6 39 03 237 21 0
5	SLM	6 39 03 237 23 0



Carbide rasp

For rough sanding of fillers, tile adhesive, concrete, stone and wood. For particularly good cutting speed and efficient machining of several square metres. Triangular shape, large version, edge length of 110 mm, perforated, can also be used with dust extraction.

Mount	Part number
SLM	6 37 31 006 21 0



Cutting blade

Straight, long shape, for deep joints.

No. in pack pcs	Mount	Part number
1	SLM	6 39 03 238 21 0



Cutting blade

Straight, very long shape, for very deep joints.

No. in pack pcs	Mount	Part number
5	SLM	6 39 03 239 23 0



Cutting tool

For making grooves in rigid foam panels for 1/2" and 3/4" hot water pipes and for empty pipes for electrical installation. Automatic fixing of laid pipes. Simple, quick and safe to use. StarlockMax fitting, can be used on all multi-function tools with suitable fitting. With adapter, suitable for all FEIN SUPERCUT before 04/16 too.

No. in pack pcs	Width mm	Immer- sion Ø mm	Part number
2	50	22	6 39 03 246 22 0



Cutting tool

For making grooves in rigid foam panels for electrical, wall and underfloor heating. StarlockMax fitting, can be used on all multi-function tools with suitable fitting. With adapter, suitable for all FEIN SUPERCUT before 04/16 too.

No. in pack pcs	Width mm	Cutting width mm	Cutting depth mm	Part number
2	50	13	6,5	6 39 03 247 22 0



Cutting tool

For making grooves in rigid foam panels for electric cables. StarlockMax fitting, can be used on all multi-function tools with suitable fitting. With adapter, suitable for all FEIN SUPERCUT before 04/16 too.

No. in pack pcs	Width mm	Immer- sion Ø mm	Part number
2	50	12	6 39 03 248 22 0

Accessories sets



Accessory set for interior construction work with wood

27-part accessory set with extensive range of saw blades, especially for fast, precise sawing in all kinds of installation work. Identical to the scope of the professional set for interior work with wood. Attractive savings over purchasing the items individually. Contents: 5 E-Cut long-life saw blades (1 each of form 183, 160, 161, 201, 203), 2 E-Cut precision BIM saw blades (1 each of form 205, 208), 2 E-Cut universal saw blades (1 each of form 151, 152), 1 HSS bimetal saw blade for wood, diameter 100 mm, 1 depth stop, suitable for all saw blades, 1 triangular unperforated sanding pad, sanding sheets, 5 each of 80, 120, 180 grit.

Mount	Part number
SLM	3 52 22 946 01 0



Accessory set for repairing/replacing windows

23-part accessory set with extensive range of accessories, especially for removing old windows and replacing putty-mounted insulating glass. Identical to the scope of the professional set for window repair and replacement. Attractive savings over purchasing the items individually. Contents: 1 E-CUT long-life saw blade (form 203), 1 E-CUT universal saw blade (form 152), 1 HSS bimetal saw blade for wood, diameter 100 mm, 1 HSS bimetal saw blade for metal, diameter 100 mm, 1 depth stop, suitable for all saw blades, 1 mushroom-shaped cutter blade (form 245), 1 segment saw blade (form 244), 1 triangular unperforated sanding pad, sanding sheets, 5 each of 80, 120, 180 grit.

Mount	Part number
SLM	3 52 22 946 02 0



Accessory set for tile restoration/bathroom renovation

8-part accessory set with extensive range of accessories, especially for the perfect cutting-out of tiles and the removal of tile joints in bathroom renovation. Identical to the scope of the professional set for tile restoration / bathroom renovation. Attractive savings over purchasing the items individually. Contents: E-CUT universal saw blades (1 each of form 151, 152), 1 carbide saw blade, diameter 105 mm (form 214), 1 segmented diamond saw blade (form 243), 1 mushroom-shaped cutter blade (form 245), 1 long rigid stopper knife, triangular carbide rasps (1 each of 80 mm, 110 mm).

Mount	Part number
SLM	3 52 22 946 03 0



Accessory set for heating/sanitary installation

9-part accessory set with extensive range of accessories, especially for key applications in sanitary repairs. Identical to the scope of the professional set for heating / sanitary installation. Attractive savings over purchasing the items individually. Contents: E-CUT universal saw blades (1 each of form 151, 152), 1 segmented diamond saw blade (form 243), 1 cutter blade, 1 long rigid stopper knife, 1 triangular carbide rasp (110 mm), cutting tool (1 each of form 246, 247, 248), 1 cutter blade (form 239).

Mount	Part number
SLM	3 52 22 946 04 0

FSC 2.0 Q

The powerful oscillator with quick clamping system for interior fitting and renovation.



For accessories, see page 225

Input	W	400
Output	W	220
Oscillations	rpm	11 000-18 500
Amplitude	Degrees	2 x 2,0
Cable with plug	m	5
Weight according to EPTA	kg	1,45
Tool Holder		QuickIN
Part number		7 236 36 50 01 0
EAN		4014586863122

FEIN benefits:

- ▶ Maximum quality and stability thanks to the use of ball / needle roller bearings and a motor and gearbox designed for continuous use at high load.
- ▶ Convenient accessory changes without the need for extra tooling with the QuickIN clamping system.
- ▶ Hexagonal tool mounting for excellent transfer of torque between machine and tool
- ▶ Powerful oscillating motion (amplitude 2 x 2.0 degrees) for maximum work progress.
- ▶ Electronic speed control
- ▶ FEIN high-power motor for extraordinary performance
- ▶ Wide range of accessories available for all applications.

Price includes:

- ▶ 1 FEIN SUPERCUT FSC 2.0 Q, 1 plastic carrying case

Sawing



Saw blades

HSS, with fine teeth for precise cutting. Universal use on sheet metal of up to approx. 1 mm, can be doubled in plastics.

Ø mm	No. in pack pcs	Part number
63	2	6 35 02 102 01 6
63	5	6 35 02 102 07 0
80	2	6 35 02 103 01 0
80	5	6 35 02 103 05 0



Saw blades

HSS, cranked, countersunk clamping screw for flush working.

Ø mm	No. in pack pcs	Part number
85	1	6 35 02 177 01 0
85	5	6 35 02 177 05 0
100	1	6 35 02 178 01 0
100	5	6 35 02 178 05 0



Segment saw blade

HSS, cranked, countersunk clamping screw for flush working.

Ø mm	No. in pack pcs	Part number
100	1	6 35 02 196 01 0
100	5	6 35 02 196 05 0



Best of E-Cut accessory set XXL

Includes 10 different E-Cut saw blades at a special price. Contents: 2 x E-Cut Long-Life 32 mm wide (shape 162), 3 x E-Cut Long-Life 42 mm wide (shape 163), 3 x E-Cut Long-Life 35 mm wide (shape 164), 2 x E-Cut Long-Life 65 mm wide (shape 165) in a practical plastic storage box.

Part number
6 35 02 162 15 0



Best of E-Cut accessory set

Includes 6 different E-Cut saw blades. Content: E-Cut Universal (1x 28 mm and 1x 44 mm wide), 2x E-Cut Long-Life 35 mm wide, 2x E-Cut Long-Life 65 mm wide, in practical plastic storage box.

Part number
6 35 02 147 12 0



E-Cut long-life saw blades

Bi-metallic teeth, stepped, high cutting speed. Extremely durable and robust. For hardwood, softwood and all other wooden materials - including those with nails. Also perfectly suited to plastics and plasterboard. Length 78 mm, form 162

Width mm	No. in pack pcs	Part number
32	1	6 35 02 162 01 0
32	5	6 35 02 162 02 0
32	25	6 35 02 162 03 0



E-Cut long-life saw blades

Bi-metallic teeth, stepped, high cutting speed. Extremely durable and robust. For hardwood, softwood and all other wooden materials - including those with nails. Also perfectly suited to plastics and plasterboard. Length 78 mm, form 163

Width mm	No. in pack pcs	Part number
42	1	6 35 02 163 01 0
42	5	6 35 02 163 02 0
42	25	6 35 02 163 03 0



E-Cut long-life saw blades

Bi-metallic teeth, stepped, high cutting speed. Extremely durable and robust. For hardwood, softwood and all other wooden materials - including those with nails. Also perfectly suited to plastics and plasterboard. Length 50 mm, form 164

Width mm	No. in pack pcs	Part number
35	1	6 35 02 164 01 0
35	5	6 35 02 164 02 0
35	25	6 35 02 164 03 0



E-Cut long-life saw blades

Bi-metallic teeth, stepped, high cutting speed. Extremely durable and robust. For hardwood, softwood and all other wooden materials - including those with nails. Also perfectly suited to plastics and plasterboard. Length 50 mm, form 165

Width mm	No. in pack pcs	Part number
65	1	6 35 02 165 01 0
65	5	6 35 02 165 02 0
65	25	6 35 02 165 03 0



E-Cut long-life saw blades

Bi-metallic teeth, stepped, high cutting speed. Extremely durable and robust. For hardwood, softwood and all other wooden materials - including those with nails. Also perfectly suited to plastics and plasterboard. Length 30 mm, form 186

Width mm	No. in pack pcs	Part number
10	1	6 35 02 186 01 0
10	5	6 35 02 186 02 0
10	25	6 35 02 186 03 0



E-Cut long-life saw blades

Bi-metallic teeth, stepped, high cutting speed. Extremely durable and robust. For hardwood, softwood and all other wooden materials - including those with nails. Also perfectly suited to plastics and plasterboard. Length 34 mm, form 185

Width mm	No. in pack pcs	Part number
20	1	6 35 02 185 01 0
20	5	6 35 02 185 02 0
20	25	6 35 02 185 03 0



E-Cut standard saw blades

Crossed toothing for all wood, plasterboard, and plastics jobs. Length 78 mm, form 123

Width mm	No. in pack pcs	Part number
32	1	6 35 02 123 01 8
32	5	6 35 02 123 04 6
32	25	6 35 02 123 03 0



E-Cut standard saw blades

Crossed toothing for all wood, plasterboard, and plastics jobs. Length 78 mm, form 124

Width mm	No. in pack pcs	Part number
42	1	6 35 02 124 01 6
42	5	6 35 02 124 04 4
42	25	6 35 02 124 03 8

Oscillating



E-Cut standard saw blades

Crossed toothing for all wood, plasterboard, and plastics jobs.
Length 50 mm, form 135

Width mm	No. in pack pcs	Part number
35	1	6 35 02 135 01 9
35	5	6 35 02 135 03 1
35	25	6 35 02 135 02 5



E-Cut standard saw blades

Crossed toothing for all wood, plasterboard, and plastics jobs.
Length 50 mm, form 136

Width mm	No. in pack pcs	Part number
65	1	6 35 02 136 01 2
65	5	6 35 02 136 03 4
65	25	6 35 02 136 02 8



E-Cut precision saw blades

Double-row original Japan toothing, for top-precision cuts, and clean cutting edges even freely by hand
Length 50 mm, form 119

Width mm	No. in pack pcs	Part number
35	1	6 35 02 119 01 0
35	5	6 35 02 119 04 8
35	25	6 35 02 119 03 2



E-Cut precision saw blades

Double-row original Japan toothing, for top-precision cuts, and clean cutting edges even freely by hand
Length 50 mm, form 120

Width mm	No. in pack pcs	Part number
45	1	6 35 02 120 01 2
45	5	6 35 02 120 04 0
45	25	6 35 02 120 03 4



E-Cut precision saw blades

Double-row original Japan toothing, for top-precision cuts, and clean cutting edges even freely by hand
Length 50 mm, form 121

Width mm	No. in pack pcs	Part number
55	1	6 35 02 121 01 1
55	5	6 35 02 121 04 9
55	25	6 35 02 121 03 3



E-Cut precision saw blades

Double-row original Japan toothing, for top-precision cuts, and clean cutting edges even freely by hand
Length 50 mm, form 122

Width mm	No. in pack pcs	Part number
65	1	6 35 02 122 01 4
65	5	6 35 02 122 04 2
65	25	6 35 02 122 03 6



E-Cut precision BIM saw blade

Bimetal with double-row Japan teeth for all wooden materials, plasterboard and soft plastics. Improved tool life and robustness. The fastest cutting speed and maximum precision.
Length 50 mm, form 209

Width mm	No. in pack pcs	Part number
35	1	6 35 02 209 01 0
35	5	6 35 02 209 02 0
35	25	6 35 02 209 03 0



E-Cut precision BIM saw blade

Bimetal with double-row Japan teeth for all wooden materials, plasterboard and soft plastics. Improved tool life and robustness. The fastest cutting speed and maximum precision.
Length 50 mm, form 210

Width mm	No. in pack pcs	Part number
45	1	6 35 02 210 01 0
45	5	6 35 02 210 02 0
45	25	6 35 02 210 03 0



E-Cut precision BIM saw blade

Bimetal with double-row Japan teeth for all wooden materials, plasterboard and soft plastics. Improved tool life and robustness. The fastest cutting speed and maximum precision.
Length 50 mm, form 211

Width mm	No. in pack pcs	Part number
55	1	6 35 02 211 01 0
55	5	6 35 02 211 02 0
55	25	6 35 02 211 03 0



E-Cut precision BIM saw blade

Bimetal with double-row Japan teeth for all wooden materials, plasterboard and soft plastics. Improved tool life and robustness. The fastest cutting speed and maximum precision.
Length 50 mm, form 212

Width mm	No. in pack pcs	Part number
65	1	6 35 02 212 01 0
65	5	6 35 02 212 02 0
65	25	6 35 02 212 03 0



E-Cut universal saw blades

Bi-metal teeth, cranked, also suitable for radii, high speed cut, sheet metal (400 N/mm²) up to about 2 mm and plastics, aluminium profiles, copper pipes, wood, plasterboard, and almost all plastics.
Length 60 mm, form 147

Width mm	No. in pack pcs	Part number
28	1	6 35 02 147 01 5
28	5	6 35 02 147 02 1
28	25	6 35 02 147 03 7



E-Cut universal saw blades

Bi-metal teeth, cranked, also suitable for radii, high speed cut, sheet metal (400 N/mm²) up to about 2 mm and plastics, aluminium profiles, copper pipes, wood, plasterboard, and almost all plastics.
Length 60 mm, form 148

Width mm	No. in pack pcs	Part number
44	1	6 35 02 148 01 3
44	5	6 35 02 148 02 9
44	25	6 35 02 148 03 5



HSS saw blade wood

Ideal for long, straight cuts and for cutting out laid parquet or laminate flooring.
Without depth stop

Ø mm	No. in pack pcs	Part number
100	1	6 35 02 179 01 0



HSS saw blade wood

Ideal for long, straight cuts and for cutting out laid parquet or laminate flooring.
With depth stop

Ø mm	No. in pack pcs	Part number
100	1	6 35 02 179 02 0



Circular knife
HSS, cranked
for general cutting applications in leather, plastics foils, roofing cardboard, fly screens, etc. Pack of 1.

Ø mm	Part number
100	6 39 03 220 01 0



Depth stop
Depth stop for all saw blades. For accurate working at depth. Effective protection for blade and workpiece. Contents: 1 adapter for attachment to the machine, rotates freely through 360°. 1 depth stop, 1 depth-adjustable guide block. Can only be used with (A)FMM or (A)FSC.

Part number
3 21 27 069 01 0



M-Cut Saw Blade
For cuts, cut-outs, and grooves in sheet metal, plastics, fibreglass, and carbon fibre-reinforced plastic; 2-pack. Wide

Width mm	Length mm	Part number
30	50	6 35 02 138 01 4



M-Cut Saw Blade
For cuts, cut-outs, and grooves in sheet metal, plastics, fibreglass, and carbon fibre-reinforced plastic; 2-pack. Narrow

Width mm	Length mm	Part number
10	50	6 35 02 158 01 0



Carbide saw blade with open teeth
For perfect, clean cut edges in carbon fibre-reinforced plastic/ fibreglass-reinforced plastic materials without delamination. Distortion-free, long, straight cuts at high cutting speed. Can also be used with depth stop.

Ø mm	Cutting width mm	Part number
105	1,2	6 35 02 189 01 0



E-Cut carbide saw blade
Gentle sawing with perfect, clean cut edges in carbon fibre-reinforced plastic/fibreglass-reinforced plastic materials without delamination. Particularly well suited to precise cut-outs and short cuts. Precise working into the corners and on edges. Can also be used with depth stop.

Length mm	Width mm	Part number
50	35	6 35 02 192 01 0



Diamond segment saw blade with open teeth
For perfect, clean cut edges in carbon fibre-reinforced plastic/ fibreglass-reinforced plastic materials without delamination. Distortion-free, long, straight cuts at very high cutting speed. Diamond coating for outstanding service life. Can also be used with depth stop.

Ø mm	Cutting width mm	Part number
105	1,2	6 35 02 190 01 0



E-Cut diamond saw blade
Gentle sawing with perfect, clean cut edges in carbon fibre-reinforced plastic/fibreglass-reinforced plastic materials without delamination. Particularly well suited to precise cut-outs and short cuts. Diamond coating for outstanding service life. Precise working into the corners and on edges. Can also be used with depth stop.

Length mm	Width mm	Part number
50	35	6 35 02 194 01 0



E-Cut diamond saw blade
Gentle sawing with perfect, clean cut edges in carbon fibre-reinforced plastic/fibreglass-reinforced plastic materials without delamination. Particularly well suited to precise cut-outs and short cuts. Diamond coating for outstanding service life. Precise working into the corners and on edges. Can also be used with depth stop.

Length mm	Width mm	Part number
60	42	6 35 02 195 01 0



Carbide file
For deburring and filing cut-outs in fibreglass, CFRP, plastics and wood, length 50 mm

No. in pack pcs	Part number
2	6 37 06 018 01 0



Segment saw blade
depressed, for removing panes of insulating glass installed on a putty bed, pack of 2

Part number
6 39 03 166 01 6

Rasping



Carbide rasp, triangular
For rough sanding of filler, tile adhesives, concrete, stone and wood. For use with or without dust extractor. Large version for particularly good work progress and efficient machining of several square metres, edge length 110 mm.

Part number
6 37 31 005 01 0

Remove grouts



Carbide saw blade
In comparison with the diamond version, the price is lower and the service life shorter. Stepped, cutting line approx. 2.2 mm, standard for all marble, epoxy resin and concrete trass joints.

Ø mm	No. in pack pcs	Part number
80	1	6 35 02 156 01 0
80	5	6 35 02 156 02 0
105	1	6 35 02 172 01 0
105	5	6 35 02 172 02 0



Carbide saw blade
In comparison with the diamond version, the price is lower and the service life shorter. Extra thin version, cutting line approx. 1.2 mm, not suited to very hard epoxy resin or cement joints. Also suited to reworking deck joints.

Ø mm	No. in pack pcs	Part number
80	1	6 35 02 155 01 0
80	5	6 35 02 155 02 0
105	1	6 35 02 173 01 0
105	5	6 35 02 173 02 0



Carbide segment blade
In comparison with the diamond version, the price is lower and the service life shorter. For corners and radii and for working without overcutting, cutting line approx. 2.2 mm for all marble and epoxy resin joints.

No. in pack pcs	Part number
1	6 39 03 225 01 0
5	6 39 03 225 02 0

Oscillating



Carbide segment blade

In comparison with the diamond version, the price is lower and the service life shorter. For corners and radii and for working without overcutting, extra thin version, cutting line approx. 1.2 mm, cutting depth max. 10 mm. Not suited to very hard epoxy resin or cement joints.

No. in pack pcs	Part number
1	6 39 03 224 01 0
5	6 39 03 224 02 0



Diamond-coated saw blade

Cutting line approx. 2.2 mm, standard design for all marble, epoxy resins and cement trass mortar.

Ø mm	No. in pack pcs	Part number
80	1	6 35 02 115 01 1
80	5	6 35 02 115 03 0
105	1	6 35 02 167 01 0
105	5	6 35 02 167 02 0



Diamond-coated saw blade

Cutting line approx. 1.2 mm for extremely thin marble mortar joints. Not suitable for epoxy resin and cement trass mortar.

Ø mm	No. in pack pcs	Part number
80	1	6 35 02 116 01 4
80	5	6 35 02 116 02 0
105	1	6 35 02 168 01 0
105	5	6 35 02 168 02 0



Segment blade

Diamond-coated, also for corners and radii and for working without overcutting. Cutting line approx. 2.2 mm, standard design for all marble, epoxy resins and cement trass mortar.

No. in pack pcs	Part number
1	6 39 03 162 01 7
5	6 39 03 162 03 0



Segment blade

Diamond-coated, also for corners and radii and for working without overcutting. Cutting line approx. 1,2 mm, for extremely narrow marble joints. Cutting depth max. 10 mm. Not suitable for epoxy resin or trass cement joints.

No. in pack pcs	Part number
1	6 39 03 196 01 3
5	6 39 03 196 02 0



Cleaning block

Rhombus for cleaning the carbide tools and diamond-coated tools.

Part number
6 37 19 007 01 0



Cutting blade

Straight shape. Universal blade for almost all expansion sealants. Pack of 5

Part number
6 39 03 117 01 5



Cutting blade

Straight, long, for very deep joints, pack of 5

Part number
6 39 03 116 01 1



Segment blade

Segment form for V-cut from outside and for cuts in corners, 2-pack

Cut length mm	Total length mm	Part number
30	73	6 39 03 132 01 0

Scraping



Scraper blade

for removing floor covering remains, underseal and residual bonding material, etc., pack of 2

Length mm	No. in pack pcs	Part number
64	2	6 39 03 206 01 8
72	2	6 39 03 227 01 0

Cutting



Cutting blade

Mushroom-shaped, pack of 5, For cutting elastic silicon or acrylic connecting joints.

Part number
6 39 03 128 01 2



Cutting tool

For making grooves in rigid foam panels for electrical, wall and underfloor heating.

Width mm	Cutting width mm	Cutting depth mm	Part number
50	13	6,5	6 39 03 223 01 0



Cutting tool

For making grooves in rigid foam panels for electric cables.

Width mm	Immersion Ø mm	Part number
50	12	6 39 03 222 01 0



Cutting tool

For making grooves in rigid foam panels for 1/2" and 3/4" hot water pipes and for empty pipes for electrical installation. Automatic fixing of laid pipes. Simple, quick and safe to use.

Width mm	Immersion Ø mm	Part number
50	22	6 39 03 221 01 0



Cutting tool
Blade for 90° cut-out for bending Schlüter Kerdi-Boards.

Cutting depth mm	Part number
12,5	6 39 03 231 01 0
19	6 39 03 230 01 0
28	6 39 03 229 01 0
38	6 39 03 228 01 0

General accessories



Device for dust extract
FSC 2.0 Q
For jobs with diamond-coated tools; tool-free mount.
Hose connection Ø 32 mm.

Model	Part number
FSC 2.0 Q/ AFSC	9 26 02 084 01 0



Device for dust extract
FSC 2.0 X
For jobs with diamond-coated tools; tool-free mount. Hose connection Ø 32 mm.

Model	Part number
FSC 2.0	9 26 02 075 01 8



Dust extraction set
For all sanding and rasping jobs with triangular sanding pad and carbide rasp. incl. 2 sanding pads, perforated; 5 of each type of sanding sheet, perforated, grit 60, 80, and 120; 1 extractor hood with suction tube; 2 hose nozzles for hose connection Ø 27 and 32 mm plus 2 adapters for connection to the most common domestic vacuum cleaners.
For FSC 2.0 Q.

Part number
9 26 02 074 01 4



Work gloves
Vibration-attenuating, certified according to EN 388/420, EN ISO 10819, EEC No. 0200, No. in pack 1 pair

Size	Part number
9 L	3 21 73 003 00 3
10 XL	3 21 73 004 00 1
11 XXL	3 21 73 005 00 5



Bail handle
To reduce the vibrations and for better handling of the FEIN SUPERCUT during longer jobs. Can be used in connection with the dust extraction device 9 26 02 084 01 0.

Part number
3 21 19 116 01 1



Adapter for FEIN SUPERCUT without QuickIN
Needed to hold accessories with an 8-star holder (e.g. rasps, sanding and polishing pads).

Part number
3 06 05 114 01 1

Adapter for FEIN SUPERCUT without QuickIN
Required to fit accessory parts with Starlock, StarlockPlus or StarlockMax mounting.

Part number
3 52 22 952 04 0



Adapter for FEIN SUPERCUT with QuickIN
Needed to hold accessories with an 8-star holder (e.g. rasps, sanding and polishing pads).

Part number
6 37 33 005 01 0

Adapter for FEIN SUPERCUT with QuickIN
Required to fit accessory parts with Starlock, StarlockPlus or StarlockMax mounting.

Part number
3 52 22 952 05 0



Cutting paste
Lubricating agents for working on sheet metals.

Part number
3 21 32 020 12 9

Accessories sets



Accessory set for interior construction work with wood
Additional purchase for professional set for interior construction work with wood, consisting of: 1 HSS saw blade for wood (form 153); 4 E-CUT long-life saw blades (form 162, 163 and 164, 165); 4 E-CUT precision saw blades (form 119, 120 and 121, 122); 2 E-CUT universal saw blades (form 147, 148); 1 depth stop; 1 sanding pad; 5 each of sanding sheets, grain 80, 120, 180; 1 adapter and 2 tensioning elements

Part number
6 39 03 167 66 0



Accessory set for repairing/replacing windows
Additional purchase for professional set for repairing/replacing windows, consisting of: 1 HSS saw blade, stepped (form 137); 1 HSS saw blade for wood (form 153); 1 E-CUT long-life saw blade (form 163); 2 E-CUT universal saw blades (form 147, 148); 1 segment saw blade (form 166); 1 cutter blade, mushroom-shaped (form 128); 1 depth stop; 1 sanding pad; 5 each of sanding sheets, grain 80, 120, 180; 1 adapter and 2 tensioning elements

Part number
6 39 03 167 67 0



Accessory set for tile restoration/bathroom renovation
Additional purchase for professional set for tile restoration/ bathroom renovation, consisting of: 1 segment blade, diamond-coated (form 162); 1 carbide segment blade (thin) (form 224); 1 blade, mushroom-shaped (form 128); 1 stopper knife; 2 carbide-coated rasps; 2 E-CUT universal saw blades (form 147, 148); 1 adapter and 1 tensioning element.

Part number
6 39 03 167 58 0

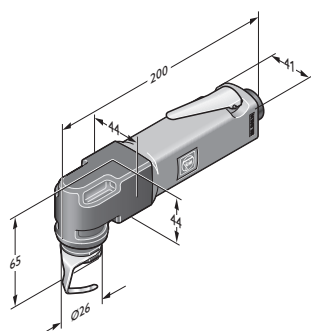


Accessory set for heating/sanitary installation
Additional purchase for professional set for heating/sanitary installation, consisting of: 1 diamond-coated segment blade (form 162); 3 cut-out blades (12 mm, 13 mm, 22 mm); 1 cutter blade, straight (form 116); 2 E-CUT universal saw blades (form 147, 148); 1 stopper knife; 1 carbide-coated rasp; 1 adapter and 2 tensioning elements

Part number
6 39 03 167 59 0



	FSC 1.7	FSC 1.7 Q	FEIN professional set for vehicle glazing	MOtlx 6-25	
	The powerful oscillator for the vehicle industry.	The powerful oscillator with quick clamping system for the vehicle industry.	The powerful system for vehicle repairs with special accessories for quick and safe removal of vehicle windows.	The powerful pneumatic oscillator for cargo.	
Page	231	231	231	231	
Technical features	Input (W)	450	450	450	
	Output (W)	250	250	250	
	Oscillations (rpm)	10 000-19 500	10 000-19 500	10 000-19 500	20 000
	Weight according to EPTA (kg)	1,45	1,65	1,65	0,9
	Cable with plug (m)	5	5	5	
	Tool Holder	Hexagon	Hexagon	Hexagon	
	Tool change	Manual with screw, hexagon socket	QuickIN	QuickIN	
	Amplitude (Degrees)	2 x 1,7	2 x 1,7	2 x 1,7	
	Operating pressure (bar)				6,3
	Air consumption (m ³ /min)				0,60



MOtlx 6-25



FSC 1.7

The powerful oscillator for the vehicle industry.

New 2016

For accessories, see page 232
For cordless variant of tool, see page 40

Input	W	450
Output	W	250
Oscillations	rpm	10 000-19 500
Cable with plug	m	5
Weight according to EPTA	kg	1,45
Amplitude	Degrees	2 x 1,7
Tool Holder		Hexagon
Tool change		Manual with screw, hexagon socket
Part number	7 229 49 61 00 0	
EAN		

FEIN benefits:

- ▶ Ideal for removing bonded panes and carrying out vehicle repairs.
- ▶ Maximum quality and stability thanks to the use of ball / needle roller bearings and a motor and gearbox designed for continuous use at high load.
- ▶ Large selection of accessories for cutting, sawing, grinding and scraping.
- ▶ Factory-recommended by respected vehicle manufacturers.
- ▶ Continuously variable speed.
- ▶ Hexagonal tool mounting with frictional connection between machine and tool.
- ▶ FEIN high-power motor.
- ▶ Carbon brushes with self cut-off function.

Price includes:

1 FEIN SUPERCUT FSC 1.7, 1 plastic carrying case, 1 sharpening stone (6 37 19 010 01 4), 1 Mounting bolt (3 30 01 039 01 7), 1 key

FSC 1.7 Q

The powerful oscillator with quick clamping system for the vehicle industry.

New 2016

For accessories, see page 232
For cordless variant of tool, see page 40

Input	W	450
Output	W	250
Oscillations	rpm	10 000-19 500
Cable with plug	m	5
Weight according to EPTA	kg	1,65
Tool Holder		Hexagon
Tool change		QuickIN
Amplitude	Degrees	2 x 1,7
Part number	7 229 48 61 00 0	
EAN		

FEIN benefits:

- ▶ Ideal for removing bonded panes and carrying out vehicle repairs.
- ▶ Maximum quality and stability thanks to the use of ball / needle roller bearings and a motor and gearbox designed for continuous use at high load.
- ▶ Convenient accessory changes without the need for extra tooling with the QuickIN clamping system.
- ▶ Factory-recommended by leading automobile manufacturers.
- ▶ Continuously variable speed.
- ▶ Hexagonal tool mounting with frictional connection between machine and tool.
- ▶ FEIN high-power motor.
- ▶ Carbon brushes with self cut-off function.

Price includes:

1 FEIN SUPERCUT FSC 1.7 Q, 1 plastic carrying case, 1 protective cover for tool changes, 1 sharpening stone (6 37 19 010 01 4)

FEIN professional set for vehicle glazing

The powerful system for vehicle repairs with special accessories for quick and safe removal of vehicle windows.

New 2016

For accessories, see page 232
For cordless variant of tool, see page 40

Input	W	450
Output	W	250
Oscillations	rpm	10 000-19 500
Cable with plug	m	5
Weight according to EPTA	kg	1,65
Tool Holder		Hexagon
Tool change		QuickIN
Amplitude	Degrees	2 x 1,7
Part number	7 229 48 62 00 0	
EAN		

FEIN benefits:

- ▶ Optimally compiled set for removing the most common types of vehicle windscreen.
- ▶ Maximum quality and stability thanks to the use of ball / needle roller bearings and a motor and gearbox designed for continuous use at high load.
- ▶ Convenient accessory changes without the need for extra tooling with the QuickIN clamping system.
- ▶ Long service lives of the cutter blades.
- ▶ High safety level with L-shaped blades.
- ▶ Other cutter blades available as accessories.

Price includes:

1 FEIN SUPERCUT FSC 1.7 Q, 1 plastic carrying case, 3 L-shaped cutter blades, toothed (form 207), 2 L-shaped cutter blades, toothed (form 208), 1 L-shaped cutter blade, toothed (form 209), 1 each U-shaped cutter blade, reinforced design (forms 157 and 111), 2 U-shaped cutter blades, reinforced design, toothed (form 212), 1 Straight cutter blade, Z-bend, with adjustable roller stop (form 143), 1 Straight cutter blade, Z-bend, toothed (form 081), 1 protective cover for tool changes, 1 sharpening stone (6 37 19 010 01 4)

MOtlx 6-25

The powerful pneumatic oscillator for cargo.



For accessories, see page 232
For cordless variant of tool, see page 40

Operating pressure	bar	6,3
Air consumption	m ³ /min	0,60
Oscillations	rpm	20 000
Hose size Ø	mm	8
Weight according to EPTA	kg	0,9
Part number	7 536 03 00 01 0	
EAN	4014586861906	

FEIN benefits:

- ▶ Ideal for removing bonded panes from lorries, buses and rail vehicles.
- ▶ Available with a comprehensive range of accessories for professional use in many industry sectors.
- ▶ Powerful oscillating motion with amplitude of 2 x 1.6 degrees for maximum work progress.
- ▶ No air leaks, no oil misting in working area.
- ▶ Small size.
- ▶ Hexagonal tool mounting.
- ▶ Supplied with inlet and outlet air hose.

Price includes:

1 pneumatic FEIN SUPERCUT MOtlx 6-25, 1 plastic carrying case, 2 keys

General accessories



Protective cover
For safe tool changes for SUPERCUT with QuickIN when opening and closing the clamping lever.

Part number
3 21 74 011 00 0



Sharpening stone
For sharpening blades before use to produce an optimum cut.

Part number
6 37 19 010 01 4



Cutting paste
Lubricating agents for working on sheet metals.

Part number
3 21 32 020 12 9



Work gloves
Vibration-attenuating, certified according to EN 388/420, EN ISO 10819, EEC No. 0200, No. in pack 1 pair

Size	Part number
9 L	3 21 73 003 00 3
10 XL	3 21 73 004 00 1
11 XXL	3 21 73 005 00 5



Adapter for FEIN SUPERCUT without QuickIN
Needed to hold accessories with an 8-star holder (e.g. rasps, sanding and polishing pads).

Part number
3 06 05 114 01 1



Adapter for FEIN SUPERCUT with QuickIN
Needed to hold accessories with an 8-star holder (e.g. rasps, sanding and polishing pads).

Part number
6 37 33 005 01 0

Adapter for FEIN SUPERCUT with QuickIN
Required to fit accessory parts with Starlock, StarlockPlus or StarlockMax mounting.

Part number
3 52 22 952 05 0

Adapter for FEIN SUPERCUT without QuickIN
Required to fit accessory parts with Starlock, StarlockPlus or StarlockMax mounting.

Part number
3 52 22 952 04 0

Automotive workshop accessories



Straight form
curved, Z-bend, as subsequent order for removal device
9 06 07 001 01 6, 2-pack.

Part number
6 39 03 197 01 7



Saw blades
HSS, with fine teeth for precise cutting. Universal use on sheet metal of up to approx. 1 mm, can be doubled in plastics.

Ø mm	No. in pack pcs	Part number
63	2	6 35 02 102 01 6
63	5	6 35 02 102 07 0
80	2	6 35 02 103 01 0
80	5	6 35 02 103 05 0



M-Cut Saw Blade
For cuts, cut-outs, and grooves in sheet metal, plastics, fibreglass, and carbon fibre-reinforced plastic; 2-pack.
Wide

Width mm	Length mm	Part number
30	50	6 35 02 138 01 4



M-Cut Saw Blade
For cuts, cut-outs, and grooves in sheet metal, plastics, fibreglass, and carbon fibre-reinforced plastic; 2-pack.
Narrow

Width mm	Length mm	Part number
10	50	6 35 02 158 01 0



Carbide file
For deburring and filing cut-outs in fibreglass, CFRP, plastics and wood, length 50 mm

No. in pack pcs	Part number
2	6 37 06 018 01 0



E-Cut universal saw blades
Bi-metal teeth, cranked, also suitable for radii, high speed cut, sheet metal (400 N/mm²) up to about 2 mm and plastics, aluminium profiles, copper pipes, wood, plasterboard, and almost all plastics.
Length 60 mm, form 147

Width mm	No. in pack pcs	Part number
28	1	6 35 02 147 01 5
28	5	6 35 02 147 02 1



E-Cut universal saw blades
Bi-metal teeth, cranked, also suitable for radii, high speed cut, sheet metal (400 N/mm²) up to about 2 mm and plastics, aluminium profiles, copper pipes, wood, plasterboard, and almost all plastics.
Length 60 mm, form 148

Width mm	No. in pack pcs	Part number
44	1	6 35 02 148 01 3
44	5	6 35 02 148 02 9



Straight form
suitable for round grooves in plastics.
toothed, 2-pack.

Cut length mm	Total length mm	Part number
35	56	6 39 03 073 01 1



Straight form
Suitable for removal of chassis attachment parts.
Z-bend, toothed, 2-pack.

Cut length mm	Total length mm	Part number
60	120	6 39 03 081 01 3



Scraper blade
for removing floor covering remains, underseal and residual bonding material, etc., pack of 2

Length mm	No. in pack pcs	Part number
64	2	6 39 03 206 01 8
72	2	6 39 03 227 01 0



Cutting blade
Mushroom-shaped, pack of 5, For cutting elastic silicon or acrylic connecting joints.

Part number
6 39 03 128 01 2

FEIN accessories for removing residual bonding beads



Scraper knife
Spade-shaped, with scratch-protective coating, 2-pack.

Cut length mm	Total length mm	Part number
12	64	6 39 03 129 05 0
18	65	6 39 03 146 01 8
25	64	6 39 03 105 01 9



Scraper knife
with cross cutter and scratch protective coating on front limit stop, 2-pack.

Cutting width mm	Part number
13	6 39 03 113 01 6
25	6 39 03 131 01 7



Scraper knife
with cross cutter, 2-pack.

Cutting width mm	Part number
13	6 39 03 144 01 1



Scraper knife set
consisting of: 1 each of spade-shaped scraper knife, with scratch-protective coating (forms 129/105).

Part number
6 39 03 129 01 6



Scraper knife set
consisting of: 1 each of scraper knife with cross cutter and scratch protective coating on front limit stop (form 113/131).

Part number
6 39 03 113 02 2

Vehicle glazing accessories



U-shaped
Ideal for removing glass from under the bonnet.
short side, 2-pack

Cut length mm	Part number
10	6 39 03 083 01 0
16	6 39 03 095 01 1
16	6 39 03 108 01 4
18	6 39 03 087 01 9
19,5	6 39 03 118 01 3
22	6 39 03 115 01 8
24	6 39 03 076 01 6
28	6 39 03 163 01 1
32	6 39 03 147 01 2
36	6 39 03 079 01 2
40	6 39 03 110 01 0
60	6 39 03 101 01 0
70	6 39 03 155 01 4



U-shaped
Ideal for removing glass from under the bonnet.
long side, 2-pack

Cut length mm	Part number
18	6 39 03 127 01 4
32	6 39 03 114 01 4
32	6 39 03 191 01 1
45	6 39 03 154 01 0
52	6 39 03 153 01 2
60	6 39 03 107 01 6



U-shaped
Ideal for removing glass from under the bonnet.
reinforced design, 2-pack

Cut length mm	Part number
60	6 39 03 157 01 1
95	6 39 03 111 01 9



U-shaped
Ideal for removing glass from under the bonnet.
reinforced design, toothed, 2-pack.

Cut length mm	Part number
19	6 39 03 210 01 6
25,5	6 39 03 211 01 5
38	6 39 03 212 01 8



L-shaped
toothed, 2-pack.

Cut length mm	Part number
19	6 39 03 208 01 0
25,4	6 39 03 207 01 2
38	6 39 03 209 01 4



Straight form
Pack of 2

Cut length mm	Total length mm	Part number
26	56	6 39 03 121 01 8
40	90	6 39 03 176 01 5
35	145	6 39 03 194 01 6



Straight form
Z-bend, 2-pack.

Cut length mm	Total length mm	Part number
19	68	6 39 03 122 01 1
18	84	6 39 03 181 01 2
23	65	6 39 03 173 01 0
25	65	6 39 03 124 01 3
27	85	6 39 03 174 01 8
32	110	6 39 03 123 01 5
70	120	6 39 03 171 01 3



Straight form
curved, 2-pack

Cut length mm	Total length mm	Part number
14	65	6 39 03 120 01 9
16	75	6 39 03 104 01 5
35	75	6 39 03 103 01 7
35	75	6 39 03 109 01 8
35	75	6 39 03 172 01 6



Straight form
curved, Z-bend, 2-pack

Cut length mm	Total length mm	Part number
45	120	6 39 03 168 01 8
70	120	6 39 03 125 01 7



Straight form
Z-bend, with rigid depth stop, 2-pack.

Cut length mm	Total length mm	Part number
16	120	6 39 03 099 01 0
58	125	6 39 03 097 01 8



Straight form
Z-bend, with adjustable depth stop, 2-pack

Cut length mm	Total length mm	Part number
16-43	100	6 39 03 143 01 3
18-39	100	6 39 03 170 01 4
20-35	100	6 39 03 198 01 5
60-76	120	6 39 03 169 01 2



Straight form
flat, with adjustable depth stop, 2-pack.

Cut length mm	Total length mm	Part number
42-60	145	6 39 03 182 01 5



Straight form
Z-bend, bent with rigid depth stop, 2-pack.

Cut length mm	Total length mm	Part number
54	120	6 39 03 160 01 5



Curved form
Z-bend, with rigid depth stop, 2-pack.

Cut length mm	Total length mm	Part number
14	80	6 39 03 082 01 6
16	80	6 39 03 133 01 4
39	85	6 39 03 152 01 8



Curved form
Z-bend, with adjustable depth stop, 2-pack

Cut length mm	Total length mm	Part number
32-46	110	6 39 03 195 01 0

Cargo accessories



L-shaped
toothed, 2-pack.

Cut length mm	Part number
25,4	6 39 03 207 01 2
38	6 39 03 209 01 4



Straight form
suitable for round grooves in plastics.
toothed, 2-pack.

Cut length mm	Total length mm	Part number
35	56	6 39 03 073 01 1



Straight form
Suitable for removal of chassis attachment parts.
Z-bend, toothed, 2-pack.

Cut length mm	Total length mm	Part number
60	120	6 39 03 081 01 3



Straight form
Z-bend, 2-pack.

Cut length mm	Total length mm	Part number
60	120	6 39 03 216 01 7



Straight form
Angle cutter, 2-pack.

Cut length mm	Total length mm	Part number
65/8	85	6 39 03 177 01 9
35/20	83	6 39 03 203 01 3



Curved form
Z-bend, 2-pack.

Cut length mm	Total length mm	Part number
45	80	6 39 03 072 01 7



U-shaped
with elongated traverse, 2-pack.

Cut length mm	Part number
40	6 39 03 156 01 7



Hook-shaped
toothed, 2-pack.

Cut length mm	Part number
38	6 39 03 217 01 1



Segment blade
Segment form for V-cut from outside and for cuts in corners, 2-pack

Cut length mm	Total length mm	Part number
30	73	6 39 03 132 01 0



Traction cable
with grip. Use is recommended when cutting out from outside with L-shaped or hook-shaped cutter blade. Easier work and less effort when cutting out glass panes from problem spots on buses, commercial vehicles, trams and locomotives.

Part number
9 26 02 030 01 4



Work gloves
Vibration-attenuating, certified according to EN 388/420, EN ISO 10819, EEC No. 0200, No. in pack 1 pair

Size	Part number
9 L	3 21 73 003 00 3
10 XL	3 21 73 004 00 1
11 XXL	3 21 73 005 00 5



Bail handle
To reduce the vibrations and for better handling of the FEIN SUPERCUT during longer jobs. Can be used in connection with the dust extraction device 9 26 02 084 01 0.

Part number
3 21 19 116 01 1

Accessories sets



Automobile glazier accessory set
Consisting of: 3 L-shaped cutter blades, toothed (form 207); 2 L-shaped cutter blades, toothed (form 208); 1 L-shaped cutter blade, toothed (form 209); 1 each of U-shaped cutter blade, reinforced version (form 157 and 111); 2 U-shaped cutter blades, reinforced version, toothed (form 212); 1 straight cutter blade, Z-bend with adjustable stop roller (form 143); 1 straight cutter blade, Z-bend, toothed (form 081).

Part number
6 39 03 167 38 3



Automobile workshop accessories set
Consisting of: 2 U-shaped cutter blades, short side (form 076); 2 U-shaped cutter blades, short side (1x form 079 and 1x form 101); 2 L-shaped cutter blades, toothed (form 207); 1 L-shaped cutter blade, toothed (form 208); 1 U-shaped cutter blade, reinforced (form 157); 1 straight cutter blade, Z-bend, with adjustable stop roller (form 143); 1 shovel-shaped scraper blade, with scrape protection coating (form 129); 1 stopper knife; 1 HSS saw blade (Ø 80 mm).

Part number
6 39 03 167 25 7



Accessory set for cargo
Subsequent order to Professional set Cargo consisting of: 2 straight cutter blades, toothed (form 073), 1 straight cutter blade, Z-bend, toothed (form 081), 1 hook-shaped cutter blade, toothed (form 217), 1 curved cutter blade, Z-bend, (form 072), 1 each of L-shaped cutter blade, toothed (forms 207 and 209), 1 spade-shaped scraper knife, with scratch-protective coating (form 105), 1 traction cable, 1 depth stop

Part number
6 39 03 167 32 0

Accessories for AFSC 18



Quick charger ALG 50
For all FEIN Li-ion batteries. Charge time from 35 min.

Part number
9 26 04 129 01 0



Quick charger ALG 30
For FEIN NiCd and Li-ion batteries. Charge time from 25 min.

Part number
9 26 04 096 01 0



Battery pack
Li-ion with charge indicator

Current/ Voltages V	Capacity Ah	Part number
18	5	9 26 04 173 02 0
18	2,5	9 26 04 171 02 0



GRIT – The brand for belt grinding from FEIN

GRIT by FEIN – the name that stands for modular belt grinders that are optimally adapted to metalworking and metal machining applications. A highly economical system for all standards and requirements – for belt grinding, deburring, radial grinding or centreless grinding. This system is suitable for all applications involving steel and stainless steel. Powerful basic belt grinders and specific add-on modules cover all the main belt grinding applications in industry and the manual trades.

The high quality standards of GRIT machines also apply to our accessories and grinding belts. We believe that grinding belts should be of premium quality – for maximum sanding capacity and outstanding service lives in metal machining. This makes genuine

GRIT grinding belts very cost-effective to use. You will find more detailed information about the GRIT range in the GRIT product brochure or at www.fein.com.



GRIT GHB hand-guided belt grinder Page 238



GRIT GX basic belt grinder for manual trades Page 240

Stationary belt grinders for use in trade and small-scale volume production.

GRIT GX add-on modules for manual trades Page 242



GRIT GI basic belt grinder for industry Page 243

Stationary belt grinders for use in industry and volume production.

GRIT GI add-on modules for industry Page 246

Other GRIT additional modules Page 249



		GRIT GHB 15-50	GRIT GHB 15-50 Inox
		Powerful handheld belt grinder for flexible on-site use.	Universal handheld belt grinder for on-site problem-solving, ideal for stainless steel processing.
Page		239	239
Technical features	Input (kW)	1,5	1,5
	Speed, no load (rpm)	8 500	2 500 - 7 900
	Belt size (mm)	50 x 1 000	50 x 1 000
	Weight according to EPTA (kg)	5,6	5,6



GRIT GHB 15-50

Powerful handheld belt grinder for flexible on-site use.



Input	kW	1,5
Speed, no load	rpm	8 500
Belt size	mm	50 x 1 000
Weight according to EPTA	kg	5,6
Part number	7 903 21 00 23 2	
EAN	4014586884516	

FEIN benefits:

- ▶ Hand-guided alternative for angle grinders.
- ▶ Stationary use possible with table holder.
- ▶ Patented tool-free belt clamping system.
- ▶ anti-vibration handle
- ▶ Very short tooling time for stationary belt grinding.
- ▶ Height-adjustable table for flat grinding.
- ▶ Continuously adjustable flange-mounted motor.

Price includes:

1 grinding belt 50 x 1,000 mm (K 36)

For accessories, see page 239

GRIT GHB 15-50 Inox

Universal handheld belt grinder for on-site problem-solving, ideal for stainless steel processing.



Input	kW	1,5
Speed, no load	rpm	2 500 - 7 900
Belt size	mm	50 x 1 000
Weight according to EPTA	kg	5,6
Part number	7 903 22 00 23 2	
EAN	4014586884547	

FEIN benefits:

- ▶ Hand-guided alternative for angle grinders for trades and industry.
- ▶ Stationary use possible with table holder.
- ▶ Patented tool-free belt clamping system.
- ▶ anti-vibration handle
- ▶ Very short tooling time for stationary belt grinding.
- ▶ Height-adjustable table for flat grinding.
- ▶ Continuously adjustable flange-mounted motor.

Price includes:

1 grinding belt 50 x 1,000 mm (K 36)

For accessories, see page 239

GRIT GHB Hand-guided belt grinder

Grinding belts



3M™ Cubitron™ II

Precision grinding belt with ceramic grain guarantees maximum performance and service life. The evenly shaped ceramic grains produce a uniquely accurate feel during machining. The result is cool grinding without tarnishing and better surface quality. 50 x 1,000 mm

Grain	No. in pack pcs	Part number
36	10	6 99 03 126 00 0
60	10	6 99 03 127 00 0
80	10	6 99 03 128 00 0



Grinding material Z

It's the all-rounder for grinding and deburring steel and non-ferrous metals which also satisfies the most stringent requirements. Developed in collaboration with professional users, this grinding material features an impressively long service life and high performance and is cost-effective to use. Heavy polyester fabric, fully bonded with artificial resins, with zirconium corundum. 50 x 1,000 mm

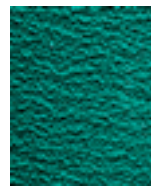
Grain	No. in pack pcs	Part number
36	10	6 99 03 130 00 0
60	10	6 99 03 131 00 0
80	10	6 99 03 132 00 0
120	10	6 99 03 133 00 0



Grinding material A

Grinding belts with fine grit for fine grinding of metals to final finish. For the best surface results. Heavy cotton fabric, fully bonded with artificial resins, with corundum. 50 x 1,000 mm

Grain	No. in pack pcs	Part number
220	10	6 99 03 134 00 0
320	10	6 99 03 135 00 0
420	10	6 99 03 136 00 0

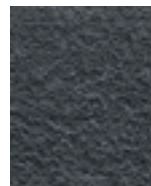


Grinding material R

It's the top grinding belt on the market, featuring superior service life and performance for considerably shorter working times. Especially recommended for machining stainless and high-alloy steel. Extra heavy polyester fabric, fully bonded with artificial resins, with zirconium corundum. Additional top layer for cooling during grinding. 50 x 1,000 mm

Grain	No. in pack pcs	Part number
36	10	6 99 03 137 00 0
60	10	6 99 03 138 00 0
80	10	6 99 03 139 00 0
120	10	6 99 03 140 00 0

Fleece strips



Fleece belt

Reliable for everything from covering up minor mistakes to a perfect finish. Long service lives make for cost-effective working. 50 x 1,000 mm

Grain	No. in pack pcs	Part number
very fine	3	6 99 03 144 00 0
medium	3	6 99 03 143 00 0
course	3	6 99 03 142 00 0

Other accessories for GRIT GHB



GRIT GHBD grinding station

GHB converts easily to a stationary belt grinder.

Part number	9 90 01 012 00 0
-------------	------------------

Stainless steel sanding support

GRIT GHB 15-50 Inox

Part number	3 90 00 008 10 6
-------------	------------------



		GRIT GX 75	GRIT GX 75 2H
		Powerful belt grinder, modular expandable, for manual trades and for small series	Powerful belt grinder, modular expandable, for manual trades and for small series, ideal for machining stainless steel
Page		241	241
Technical features	Input (kW)	3	1,5 / 2
	Speed, no load (rpm)	3 000	1 500/3 000
	Belt size (mm)	75 x 2 000	75 x 2 000
	Weight (kg)	75	75

**GRIT GX 75**

Powerful belt grinder, modular expandable, for manual trades and for small series



For accessories, see page 250

Input	kW	3
Speed, no load	rpm	3 000
Belt size	mm	75 x 2 000
Weight	kg	75
Part number	7 901 31 00 40 3	
EAN	4014586872018	

FEIN benefits:

- ▶ Expandable because of additional modules
- ▶ Speeds optimal for metal working at 3000 rpm
- ▶ Height-adjustable plane grinding table for linear plane grinding
- ▶ Detachable swarf collector
- ▶ Connection for extraction option available
- ▶ Work level is individually adjustable
- ▶ Patented belt-tensioning system
- ▶ Robust three-phase AC motor
- ▶ Low vibrations

Price includes:

1 CEE plug (16 A), 1 grinding belt 75 x 2,000 mm (K 36 R)

GRIT GX 75 2H

Powerful belt grinder, modular expandable, for manual trades and for small series, ideal for machining stainless steel



For accessories, see page 250

Input	kW	1,5 / 2
Speed, no load	rpm	1 500/3 000
Belt size	mm	75 x 2 000
Weight	kg	75
Part number	7 901 32 00 40 3	
EAN	4014586872063	

FEIN benefits:

- ▶ Expandable because of additional modules
- ▶ Speeds optimal for metal and stainless steel working at 1500/3000 rpm
- ▶ Height-adjustable plane grinding table for linear plane grinding
- ▶ Detachable swarf collector
- ▶ Connection for extraction option available
- ▶ Work level is individually adjustable
- ▶ Patented belt-tensioning system
- ▶ Robust three-phase AC motor
- ▶ Low vibrations

Price includes:

1 CEE plug (16 A), 1 grinding belt 75 x 2,000 mm (K 36 R)

GRIT GXE

Highly effective deburring machine for manual trades and for small series



For accessories, see page 250

Input	kW	2,2
Speed, no load	rpm	1 500
Tool dimensions max. Ø x width	mm	250 x 60
Weight	kg	32
Part number		7 901 05 00 40 3
EAN		4014586857879

FEIN benefits:

- ▶ Modular extendable with sturdy machine base also with integrated extraction
- ▶ Robust AC motor provides deburring with steady speed
- ▶ For deburring of metal pipes, profiles, and flat materials up to a workpiece width of 75 mm.
- ▶ Connection for extraction option available
- ▶ Broad range of wire brushes available
- ▶ Effective deburring
- ▶ Motor protection switch

Price includes:

1 CEE plug (16 A)

GRIT GXC

Cylindrical grinding module for perfect surfaces of metal and stainless steel pipes and shafts



For accessories, see page 250

Input	kW	0,18
Pipes up to Ø	mm	10 - 100
Belt size	mm	75 x 2 000
Weight	kg	48
Part number		7 901 23 00 44 3
EAN		4014586871936

FEIN benefits:

- ▶ Automatic feed is individually adjustable
- ▶ High process speed at highest surface quality
- ▶ For grinding of pipes and shafts of diameters ranging from Ø 10 - 100 mm
- ▶ Combination possibilities with belt grinders GX 75 (2H) and GI 75 (2H)
- ▶ Wet grinding in possible combination with GXW

Price includes:

1 guide rail, nylon, 1 guide rail, brass, 1 CEE plug (16 A)

GRIT GXW

Cooling lubricant module for a professional wet grinding



For accessories, see page 250

Input	kW	0,12
Weight	kg	8,6
Part number		7 901 24 00 44 3
EAN		4014586873145

FEIN benefits:

- ▶ Perfect surface results due to effective cooling lubricant supply
- ▶ Binds the swarf
- ▶ Closed circuit
- ▶ Combination possibilities with belt grinders GX 75 (2H) and GI 75 (2H)
- ▶ Increases service life of the grinding belts

Price includes:

1 litre cooling lubricant emulsion (1:30)

GRIT GXR

Radii-grinding module for precision fitting of pipes, profiles, and flat materials



For accessories, see page 250

Pipes up to Ø	mm	16 - 75
Dimension profiles / flat material max.	mm	75 x 75
Belt size	mm	75 x 2 250
Weight	kg	54
Part number		9 90 01 001 00 1
EAN		4014586871974

FEIN benefits:

- ▶ For precise grinding of profiles and pipes of diameters ranging from 16 to 75 mm
- ▶ Contact rollers are optionally available in standard dimensions
- ▶ Optional length stop for series application
- ▶ Integrated depth stop
- ▶ Combination possibilities with belt grinders GX 75 (2H) and GI 75 (2H)
- ▶ Angle setting, individually possible up to 90°

Price includes:

1 contact roller Ø 42.4 mm, 1 contact roller Ø 48,3 mm, 1 grinding belt 75 x 2250 (K 36 R).



	GRIT GI 75	GRIT GI 75 2H	GRIT GI 100 EF	GRIT GI 100	GRIT GI 150	GRIT GI 150 2H	GRIT GIS 75	GRIT GIS 150	
	High-performance belt grinder, modular expandable, for industrial and series applications	High-performance belt grinder, modular expandable, for industrial and series applications, ideal for machining stainless steel	Powerful belt grinder in small format: for universal application on small workpieces		High-performance belt grinder, modular expandable, for industrial and series applications	High-performance belt grinder, modular expandable, for industrial and series applications, ideal for machining stainless steel	High-performance grinder for standard grinding tasks	High-performance grinder for standard grinding applications for extra-wide workpieces.	
Page	244	244	244	244	245	245	245	245	
Technical features	Input (kW)	4	2,6–3,1	1,5	1,5	4	2,6–3,1	4	4
	Speed, no load (rpm)	3 000	1 500/3 000	3 000		3 000	1 500/3 000		
	Belt size (mm)	75 x 2 000	75 x 2 000	100 x 1 000	100 x 1 000	150 x 2 000	150 x 2 000	75 x 2 000	150 x 2 000
	Weight (kg)	65	65			82	82	74	93

GRIT GI 75

High-performance belt grinder, modular expandable, for industrial and series applications



For accessories, see page 250

Input	kW	4
Speed, no load	rpm	3 000
Belt size	mm	75 x 2 000
Weight	kg	65
Part number	7 902 01 00 40 3	
EAN	4014586858913	

FEIN benefits:

- ▶ Expandable because of additional modules
- ▶ Quite robust AC motor provides grinding with steady speed.
- ▶ Speeds optimal for metal working at 3000 rpm
- ▶ Detachable swarf collector
- ▶ Connection for extraction option available
- ▶ Drive disk with polyurethane coating
- ▶ Work level is individually adjustable
- ▶ Patented belt-tensioning system
- ▶ Robust three-phase AC motor
- ▶ Low vibrations

Price includes:

1 CEE plug (16 A), 1 grinding belt 75 x 2,000 mm (K 36 R)

GRIT GI 75 2H

High-performance belt grinder, modular expandable, for industrial and series applications, ideal for machining stainless steel



For accessories, see page 250

Input	kW	2,6–3,1
Speed, no load	rpm	1 500/3 000
Belt size	mm	75 x 2 000
Weight	kg	65
Part number	7 902 02 00 40 3	
EAN	4014586858944	

FEIN benefits:

- ▶ Expandable because of additional modules
- ▶ Quite robust AC motor provides grinding with steady speed.
- ▶ Speeds optimal for metal and stainless steel working at 1500/3000 rpm
- ▶ Detachable swarf collector
- ▶ Connection for extraction option available
- ▶ Drive disk with polyurethane coating
- ▶ Work level is individually adjustable
- ▶ Exceedingly robust three-phase AC motor
- ▶ Patented belt-tensioning system
- ▶ Low vibrations

Price includes:

1 CEE plug (16 A), 1 grinding belt 75 x 2,000 mm (K 36 R)

GRIT GI 100 EF

Powerful belt grinder in small format: for universal application on small workpieces



For accessories, see page 250

Input	kW	1,5
Current/Voltages	V	1x 230
Speed, no load	rpm	3 000
Belt size	mm	100 x 1 000
Part number	7 902 03 00 23 2	
EAN	4014586858951	

FEIN benefits:

- ▶ Modular extendable with sturdy machine base also with integrated extraction
- ▶ Universally applicable belt grinder for smaller workpieces
- ▶ Can be used as a table machine
- ▶ Single-phase, alternating current version 230 V / 50Hz
- ▶ Suited also for mobile employment in workshop or assembly vehicles
- ▶ Patented belt-tensioning system

Price includes:

1 grinding belt 100 x 1,000 (K 60 Z)

GRIT GI 100

Powerful belt grinder in small format: for universal application on small workpieces



For accessories, see page 250

Input	kW	1,5
Voltage/type of current at 50 Hz	V(3~)	3 x 400
Voltage/type of current at 60 Hz	V(3~)	3 x 440
Idle speed at 50 Hz	rpm	3 000
Idle speed at 60 Hz	rpm	3 450
Belt size	mm	100 x 1 000
Part number	7 902 03 00 40 3	
EAN	4014586858975	

FEIN benefits:

- ▶ Can be used as a table machine
- ▶ Modular extendable with sturdy machine base also with integrated extraction
- ▶ Universally applicable belt grinder for smaller workpieces
- ▶ Three-phase AC motor 1500 Watt
- ▶ Suited also for mobile employment in workshop or assembly vehicles
- ▶ Patented belt-tensioning system

Price includes:

1 grinding belt 100 x 1,000 (K 60 Z)

**GRIT GI 150**

High-performance belt grinder, modular expandable, for industrial and series applications



For accessories, see page 250

Input	kW	4
Speed, no load	rpm	3 000
Belt size	mm	150 x 2 000
Weight	kg	82
Part number		7 902 04 00 40 3
EAN		4014586858999

FEIN benefits:

- ▶ Expandable because of additional modules
- ▶ Quite robust AC motor provides grinding with steady speed.
- ▶ Speeds optimal for metal working at 3000 rpm
- ▶ Detachable swarf collector
- ▶ Connection for extraction option available
- ▶ Drive disk with polyurethane coating
- ▶ Work level is individually adjustable
- ▶ Patented belt-tensioning system
- ▶ Robust three-phase AC motor
- ▶ Low vibrations

Price includes:

1 CEE plug (16 A), 1 grinding belt 150 x 2,000 mm (K 36 R)

GRIT GI 150 2H

High-performance belt grinder, modular expandable, for industrial and series applications, ideal for machining stainless steel



For accessories, see page 250

Input	kW	2,6–3,1
Speed, no load	rpm	1 500/3 000
Belt size	mm	150 x 2 000
Weight	kg	82
Part number		7 902 05 00 40 3
EAN		4014586859019

FEIN benefits:

- ▶ Expandable because of additional modules
- ▶ Quite robust AC motor provides grinding with steady speed.
- ▶ Speeds optimal for metal and stainless steel working at 1500/3000 rpm
- ▶ Detachable swarf collector
- ▶ Connection for extraction option available
- ▶ Drive disk with polyurethane coating
- ▶ Work level is individually adjustable
- ▶ Exceedingly robust three-phase AC motor
- ▶ Patented belt-tensioning system
- ▶ Low vibrations

Price includes:

1 CEE plug (16 A), 1 grinding belt 150 x 2,000 mm (K 36 R)

GRIT GIS 75

High-performance grinder for standard grinding tasks



For accessories, see page 250

Input	kW	4
Voltage/type of current at 50 Hz	V(3~)	3 x 400
Voltage/type of current at 60 Hz	V(3~)	3 x 440
Idle speed at 50 Hz	rpm	3 000
Idle speed at 60 Hz	rpm	3 450
Belt size	mm	75 x 2 000
Weight	kg	74
Part number		7 902 29 50 44 3
EAN		4014586878126

FEIN benefits:

- ▶ High-performance belt grinder with sturdy machine base
- ▶ Constant speed at high grinding performance thanks to robust 4-kW motor
- ▶ Very good price-performance ratio
- ▶ Detachable swarf collector
- ▶ Patented belt-tensioning system
- ▶ Low-vibration thanks to robust design

Price includes:

1 CEE plug (16 A), 1 grinding belt 75 x 2,000 mm (K 36 R)

GRIT GIS 150

High-performance grinder for standard grinding applications for extra-wide workpieces.



For accessories, see page 250

Input	kW	4
Voltage/type of current at 50 Hz	V(3~)	3 x 400
Voltage/type of current at 60 Hz	V(3~)	3 x 440
Idle speed at 50 Hz	rpm	3 000
Idle speed at 60 Hz	rpm	3 450
Belt size	mm	150 x 2 000
Weight	kg	93
Part number		7 902 30 50 44 3
EAN		4014586878225

Price includes:

1 CEE plug (16 A), 1 grinding belt 150 x 2,000 mm (K 36 R)

GRIT GIE

Highly effective deburring machine for industrial deburring in series



For accessories, see page 250

Input	kW	1,5 / 2,0
Speed, no load	rpm	1 500/3 000
Tool dimensions max. Ø x width	mm	250 x 60/120
Weight	kg	34
Part number		7 902 07 00 40 3
EAN		4014586859057

FEIN benefits:

- ▶ Speeds optimal for metal and stainless steel working at 1500/3000 rpm
- ▶ Modular extendable with sturdy machine base also with integrated extraction
- ▶ Robust AC motor provides deburring with steady speed
- ▶ Connection for extraction option available
- ▶ Broad range of wire brushes available
- ▶ Effective deburring
- ▶ Motor protection switch

Price includes:

1 CEE plug (16 A)

GRIT GIC

Centreless grinding module for industrial centreless grinding in volume production



For accessories, see page 250

Input	kW	0,18
Pipes up to Ø	mm	10-130
Variable Feed	m/min	0-2
Belt size	mm	75/150 x 2 000
Weight	kg	65
Part number		7 902 12 00 44 3
EAN		4014586867656

FEIN benefits:

- ▶ For industrial centreless grinding of pipes up to 6 m long with optional pipe guide.
- ▶ Flexible when machining pipe diameters of between 10 and 130 mm.
- ▶ Cool surfaces and a long grinding belt service life thanks to wet grinding in conjunction with the cooling lubricant module GXW.
- ▶ Combination possibilities with belt grinder GI 75 (2H) and GI 150 (2H).
- ▶ Quick fastener for simple retooling without the need for tools.
- ▶ Infinitely variable feed speed from 0 to 2 m/min.

Price includes:

1 guide rail, nylon, 1 guide rail, brass, 1 CEE plug (16 A)

GIMS 75

Mobile carriage for effective grinding "on site" at the floor



Zubehör ab Seite 250

Belt size	mm	75 x 2 000
Weight	kg	35
Bestellnummer		7 902 13 00 23 3
EAN		4014586872582

FEIN benefits:

- ▶ Comfortable work handling thanks to standing work position
- ▶ Highly effective grinding and polishing of weld seams on the floor
- ▶ Grinding over and descaling of steel parts
- ▶ Towing bar position can be adjusted infinitely variable
- ▶ Minimum wall clearance
- ▶ Depth stop

GRIT GIMS 75

Mobile carriage for effective grinding "on site" at the floor



For accessories, see page 250

Input	kW	4
Belt size	mm	75 x 2 000
Weight	kg	100
Part number		7 902 13 00 40 3
EAN		4014586872599

FEIN benefits:

- ▶ Comfortable work handling thanks to standing work position
- ▶ Highly effective grinding and polishing of weld seams on the floor
- ▶ Grinding over and descaling of steel parts
- ▶ Towing bar position can be adjusted infinitely variable
- ▶ Minimum wall clearance
- ▶ Depth stop

GIMS 150

Mobile carriage for effective grinding "on site" at the floor



Zubehör ab Seite 250

Belt size	mm	150 x 2 000
Weight	kg	35
Bestellnummer		7 902 14 00 23 3
EAN		4014586872636

FEIN benefits:

- ▶ Comfortable work handling thanks to standing work position
- ▶ Highly effective grinding and polishing of weld seams on the floor
- ▶ Grinding over and descaling of steel parts
- ▶ Towing bar position can be adjusted infinitely variable
- ▶ Minimum wall clearance
- ▶ Depth stop

**GRIT GIMS 150**

Mobile carriage for effective grinding "on site" at the floor



Input	kW	4
Belt size	mm	150 x 2 000
Weight	kg	110
Part number		7 902 14 00 40 3
EAN		4014586872643

FEIN benefits:

- ▶ Comfortable work handling thanks to standing work position
- ▶ Highly effective grinding and polishing of weld seams on the floor
- ▶ Grinding over and descaling of steel parts
- ▶ Towing bar position can be adjusted infinitely variable
- ▶ Minimum wall clearance
- ▶ Depth stop

For accessories, see page 250

GIMS 75 2H

Mobile carriage for effective grinding "on site" at the floor



Input	kW	2,6 - 3,1
Belt size	mm	75 x 2 000
Weight	kg	103
Part number		7 902 16 00 40 3
EAN		4014586878614

FEIN benefits:

- ▶ Comfortable work handling thanks to standing work position
- ▶ Highly effective grinding and polishing of weld seams on the floor
- ▶ Grinding over and descaling of steel parts
- ▶ Towing bar position can be adjusted infinitely variable
- ▶ Minimum wall clearance
- ▶ Depth stop

For accessories, see page 250

GIMS 150 2H

Mobile carriage for effective grinding "on site" at the floor



Input	kW	2,6 - 3,1
Belt size	mm	150 x 2 000
Weight	kg	114
Part number		7 902 17 00 40 3
EAN		4014586878614

FEIN benefits:

- ▶ Comfortable work handling thanks to standing work position
- ▶ Highly effective grinding and polishing of weld seams on the floor
- ▶ Grinding over and descaling of steel parts
- ▶ Towing bar position can be adjusted infinitely variable
- ▶ Minimum wall clearance
- ▶ Depth stop

For accessories, see page 250

GIMS 75-6

Mobile carriage for effective grinding "on site" at the floor



Input	kW	6
Belt size	mm	75 x 2 000
Weight	kg	121
Part number		7 902 18 00 40 3
EAN		4014586878645

FEIN benefits:

- ▶ Comfortable work handling thanks to standing work position
- ▶ Highly effective grinding and polishing of weld seams on the floor
- ▶ Grinding over and descaling of steel parts
- ▶ Towing bar position can be adjusted infinitely variable
- ▶ Minimum wall clearance
- ▶ Depth stop

For accessories, see page 250

GIMS 150-6

Mobile carriage for effective grinding "on site" at the floor



Input	kW	6
Belt size	mm	150 x 2 000
Weight	kg	131
Part number		7 902 19 00 40 3
EAN		4014586878683

FEIN benefits:

- ▶ Comfortable work handling thanks to standing work position
- ▶ Highly effective grinding and polishing of weld seams on the floor
- ▶ Grinding over and descaling of steel parts
- ▶ Towing bar position can be adjusted infinitely variable
- ▶ Minimum wall clearance
- ▶ Depth stop

For accessories, see page 250

GRIT GILSGIB

Surface grinder for perfect longitudinal grinding of square pipes, profiles and flat materials in automatic processes



Input	kW	2,6 - 3,1
Dimension profiles / flat material max.	mm	100 x 100
Belt size	mm	150 x 2 000
Weight	kg	189
Part number		7 902 35 00 40 3
EAN		4014586880921

Price includes:

1 CEE plug (16 A), 1 grinding belt 150 x 2,000 mm (K 120 R)

without dust extraction

For accessories, see page 250

GRIT GIL

Plane grinding module for perfect longitudinal grinding of square pipes, profiles and flat materials



Input	kW	0,18
Dimension profiles / flat material max.	mm	100 x 100
Belt size	mm	150 x 2 000
Weight	kg	64
Part number		7 902 48 00 40 3
EAN		4014586880945

FEIN benefits:

- ▶ Perfect finishing results up to the finish
- ▶ Flat material can also be ground "upright".
- ▶ High operating speed because of automatic feed
- ▶ Belt grinder can be used for contact grinding even though module is mounted.
- ▶ For angled workpieces
- ▶ Consistent belt dimensions 150 x 2000 mm
- ▶ Combination possibility with belt grinder GI 150 (2H)
- ▶ Space-saving employment because of optional swivel plate possible.

For accessories, see page 250

GRIT GILS

Surface grinder for perfect longitudinal grinding of square pipes, profiles and flat materials in automatic processes



Input	kW	2,6 - 3,1
Dimension profiles / flat material max.	mm	100 x 100
Belt size	mm	150 x 2 000
Weight	kg	206
Part number		7 902 51 00 40 3
EAN		4014586880976

Price includes:

1 CEE plug (16 A), 1 grinding belt 150 x 2,000 mm (K 120 R)

with dust extraction

For accessories, see page 250

GRIT GIB

Exceedingly sturdy machine base



Weight	kg	17
Part number		9 90 01 003 00 0
EAN		4014586859064

FEIN benefits:

- ▶ Work height can be adjusted conveniently by gas compression spring without effort
- ▶ Low-vibration thanks to robust design
- ▶ Combination possibilities with belt grinder GI 75 (2H) and GI 150 (2H)
- ▶ Powder coating
- ▶ Robust welded construction

For accessories, see page 250

GRIT GIBE

Exceedingly sturdy machine base with integrated double extraction



Input	kW	0,35
Weight	kg	55
Part number		9 90 01 004 00 0
EAN		4014586859071

FEIN benefits:

- ▶ Integrated metal swarf collector, resistant against hot sparks
- ▶ Powder coating
- ▶ Robust welded construction
- ▶ Flexible, heat-resistant steel hoses
- ▶ Cassette filter for effective filtering
- ▶ Combination possibilities with belt grinder GI 75 (2H) and GI 150 (2H)

For accessories, see page 250

**GRIT GIR**

Radii-grinding module for precision fitting of pipes, profiles and flat materials in series application



For accessories, see page 250

Pipes up to Ø	mm	20-150
Dimension profiles / flat material max.	mm	120 x 150
Belt size	mm	150 x 2 250
Weight	kg	109
Part number		9 90 01 007 00 1
EAN		4014586878263

FEIN benefits:

- ▶ For precise grinding of profiles and pipes of diameters ranging from 20 to 150 mm
- ▶ Contact rollers are optionally available in standard dimensions
- ▶ Optional length stop for series application
- ▶ Integrated depth stop for the series application
- ▶ Combination possibility with belt grinder GI 150 (2H)
- ▶ Angle setting, individually possible up to 90°

Price includes:

1 contact roller Ø 42.4 mm, 1 dust container, 1 grinding belt 150 x 2,250 mm (K 36 R)

GRIT GIXBE

Integrated motor for effective suction



For accessories, see page 250

Output	W	370
Max. vacuum	mbar	2,65
Dimensions LxWxH	mm	305 x 575 x 700
Weight	kg	58
Part number		9 90 01 009 00 0
EAN		4014586859125

FEIN benefits:

- ▶ Great steadiness because of bolting to the floor
- ▶ Combination possibility with belt grinder GI 150 (EF) and deburring machines GXE, GIE
- ▶ Powder coating

GRIT GIXS

Sturdy machine base made of powder coated steel plate



For accessories, see page 250

Dimensions LxWxH	mm	304 x 356 x 769
Weight	kg	18
Part number		9 90 01 002 00 0
EAN		4014586858340

FEIN benefits:

- ▶ Great steadiness because of bolting to the floor
- ▶ Combination possibility with belt grinder GI 100 (EF) and deburring machines GXE, GIE
- ▶ Powder coating
- ▶ Steel plate model

Grinding belts



3M™ Cubitron™ II

Precision grinding belt with ceramic grain guarantees maximum performance and service life. The evenly shaped ceramic grains produce a uniquely accurate feel during machining. The result is cool grinding without tarnishing and better surface quality. 75 x 2,000 mm

Grain	No. in pack pcs	Part number
36	10	6 99 03 145 00 0
60	10	6 99 03 146 00 0
80	10	6 99 03 147 00 0



3M™ Cubitron™ II

Precision grinding belt with ceramic grain guarantees maximum performance and service life. The evenly shaped ceramic grains produce a uniquely accurate feel during machining. The result is cool grinding without tarnishing and better surface quality. 75 x 2,250 mm

Grain	No. in pack pcs	Part number
36	10	6 99 03 151 00 0
60	10	6 99 03 152 00 0
80	10	6 99 03 153 00 0



3M™ Cubitron™ II

Precision grinding belt with ceramic grain guarantees maximum performance and service life. The evenly shaped ceramic grains produce a uniquely accurate feel during machining. The result is cool grinding without tarnishing and better surface quality. 150 x 2,000 mm

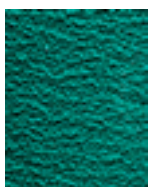
Grain	No. in pack pcs	Part number
36	10	6 99 03 148 00 0
60	10	6 99 03 149 00 0
80	10	6 99 03 150 00 0



3M™ Cubitron™ II

Precision grinding belt with ceramic grain guarantees maximum performance and service life. The evenly shaped ceramic grains produce a uniquely accurate feel during machining. The result is cool grinding without tarnishing and better surface quality. 150 x 2,250 mm

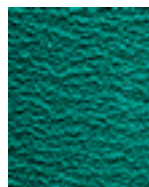
Grain	No. in pack pcs	Part number
36	10	6 99 03 154 00 0
60	10	6 99 03 155 00 0
80	10	6 99 03 156 00 0



Grinding material R

It's the top grinding belt on the market, featuring superior service life and performance for considerably shorter working times. Especially recommended for machining stainless and high-alloy steel. Extra heavy polyester fabric, fully bonded with artificial resins, with zirconium corundum. Additional top layer for cooling during grinding. 75 x 2,000 mm

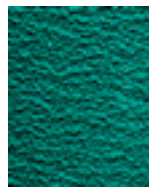
Grain	No. in pack pcs	Part number
24	10	6 99 03 000 00 0
36	10	6 99 03 002 00 0
40	10	6 99 03 004 00 0
60	10	6 99 03 007 00 0
80	10	6 99 03 009 00 0
120	10	6 99 03 013 00 0



Grinding material R

It's the top grinding belt on the market, featuring superior service life and performance for considerably shorter working times. Especially recommended for machining stainless and high-alloy steel. Extra heavy polyester fabric, fully bonded with artificial resins, with zirconium corundum. Additional top layer for cooling during grinding. 75 x 2,250 mm

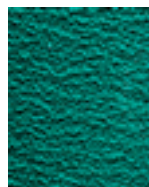
Grain	No. in pack pcs	Part number
36	10	6 99 03 020 00 0



Grinding material R

It's the top grinding belt on the market, featuring superior service life and performance for considerably shorter working times. Especially recommended for machining stainless and high-alloy steel. Extra heavy polyester fabric, fully bonded with artificial resins, with zirconium corundum. Additional top layer for cooling during grinding. 75 x 2,300 mm

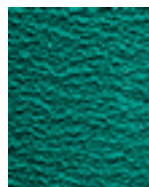
Grain	No. in pack pcs	Part number
36	10	6 99 03 122 00 0



Grinding material R

It's the top grinding belt on the market, featuring superior service life and performance for considerably shorter working times. Especially recommended for machining stainless and high-alloy steel. Extra heavy polyester fabric, fully bonded with artificial resins, with zirconium corundum. Additional top layer for cooling during grinding. 150 x 2,000 mm

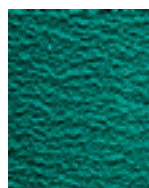
Grain	No. in pack pcs	Part number
24	10	6 99 03 039 00 0
36	10	6 99 03 040 00 0
40	10	6 99 03 042 00 0
60	10	6 99 03 044 00 0
80	10	6 99 03 046 00 0
120	10	6 99 03 048 00 0



Grinding material R

It's the top grinding belt on the market, featuring superior service life and performance for considerably shorter working times. Especially recommended for machining stainless and high-alloy steel. Extra heavy polyester fabric, fully bonded with artificial resins, with zirconium corundum. Additional top layer for cooling during grinding. 150 x 2,250 mm

Grain	No. in pack pcs	Part number
36	10	6 99 03 053 00 0



Grinding material R

It's the top grinding belt on the market, featuring superior service life and performance for considerably shorter working times. Especially recommended for machining stainless and high-alloy steel. Extra heavy polyester fabric, fully bonded with artificial resins, with zirconium corundum. Additional top layer for cooling during grinding. 150 x 2,400 mm

Grain	No. in pack pcs	Part number
36	10	6 99 03 111 00 0



Grinding material Z

It's the all-rounder for grinding and deburring steel and non-ferrous metals which also satisfies the most stringent requirements. Developed in collaboration with professional users, this grinding material features an impressively long service life and high performance and is cost-effective to use. Heavy polyester fabric, fully bonded with artificial resins, with zirconium corundum. 75 x 2,000 mm

Grain	No. in pack pcs	Part number
36	10	6 99 03 003 00 0
40	10	6 99 03 005 00 0
60	10	6 99 03 008 00 0
80	10	6 99 03 010 00 0
120	10	6 99 03 014 00 0



Grinding material Z

It's the all-rounder for grinding and deburring steel and non-ferrous metals which also satisfies the most stringent requirements. Developed in collaboration with professional users, this grinding material features an impressively long service life and high performance and is cost-effective to use. Heavy polyester fabric, fully bonded with artificial resins, with zirconium corundum. 75 x 2,250 mm

Grain	No. in pack pcs	Part number
36	10	6 99 03 021 00 0



Grinding material Z

It's the all-rounder for grinding and deburring steel and non-ferrous metals which also satisfies the most stringent requirements. Developed in collaboration with professional users, this grinding material features an impressively long service life and high performance and is cost-effective to use. Heavy polyester fabric, fully bonded with artificial resins, with zirconium corundum. 100 x 1,000 mm

Grain	No. in pack pcs	Part number
36	10	6 99 03 034 00 0
40	10	6 99 03 035 00 0
60	10	6 99 03 036 00 0
80	10	6 99 03 037 00 0
120	10	6 99 03 038 00 0



Grinding material Z

It's the all-rounder for grinding and deburring steel and non-ferrous metals which also satisfies the most stringent requirements. Developed in collaboration with professional users, this grinding material features an impressively long service life and high performance and is cost-effective to use. Heavy polyester fabric, fully bonded with artificial resins, with zirconium corundum. 150 x 2,000 mm

Grain	No. in pack pcs	Part number
36	10	6 99 03 041 00 0
40	10	6 99 03 043 00 0
60	10	6 99 03 045 00 0
80	10	6 99 03 047 00 0
120	10	6 99 03 049 00 0



Grinding material Z

It's the all-rounder for grinding and deburring steel and non-ferrous metals which also satisfies the most stringent requirements. Developed in collaboration with professional users, this grinding material features an impressively long service life and high performance and is cost-effective to use. Heavy polyester fabric, fully bonded with artificial resins, with zirconium corundum. 150 x 2,250 mm

Grain	No. in pack pcs	Part number
36	10	6 99 03 054 00 0



Grinding material Z

It's the all-rounder for grinding and deburring steel and non-ferrous metals which also satisfies the most stringent requirements. Developed in collaboration with professional users, this grinding material features an impressively long service life and high performance and is cost-effective to use. Heavy polyester fabric, fully bonded with artificial resins, with zirconium corundum. 150 x 2,400 mm

Grain	No. in pack pcs	Part number
36	10	6 99 03 112 00 0



Grinding material A

Grinding belts with fine grit for fine grinding of metals to final finish. For the best surface results. Heavy cotton fabric, fully bonded with artificial resins, with corundum. 75 x 2,000 mm

Grain	No. in pack pcs	Part number
220	10	6 99 03 017 00 0
320	10	6 99 03 018 00 0
400	10	6 99 03 019 00 0

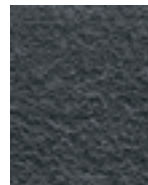


Grinding material A

Grinding belts with fine grit for fine grinding of metals to final finish. For the best surface results. Heavy cotton fabric, fully bonded with artificial resins, with corundum. 150 x 2,000 mm

Grain	No. in pack pcs	Part number
220	10	6 99 03 050 00 0
320	10	6 99 03 051 00 0
400	10	6 99 03 052 00 0

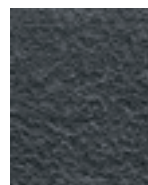
Fleece strips



Fleece belt

Reliable for everything from covering up minor mistakes to a perfect finish. Long service lives make for cost-effective working. 75 x 2,000 mm

Grain	No. in pack pcs	Part number
very fine	3	6 99 03 121 01 0
medium	3	6 99 03 119 01 0
course	3	6 99 03 117 01 0



Fleece belt

Reliable for everything from covering up minor mistakes to a perfect finish. Long service lives make for cost-effective working. 150 x 2,000 mm

Grain	No. in pack pcs	Part number
very fine	3	6 99 03 120 01 0
medium	3	6 99 03 118 01 0
course	3	6 99 03 116 01 0

Accessories for machines GX 75 / GX 75 2H

**Stainless steel sanding support
GX 75**

Part number
6 99 02 338 00 0

Graphite pad
As sliding base for surface grinding.

No. in pack pcs	Part number
5	3 90 00 000 00 1

Eye protection

Acrylic screen for protection against sparks

No. in pack pcs	Part number
3	3 90 00 000 00 4

Dust collector

For extinguishing sparks, metal lid for hose connection, plastic, handles on the sides, capacity approx. 20 l.

Part number
6 99 02 343 00 0

Accessories GRIT GXR

Stainless steel jaws

Interchangeable, for vice when machining stainless steel.

Part number
6 99 02 004 00 0



Length stop

1000 mm long, continuously variable, easy to fit

Part number
6 99 02 001 00 0



Contact roller

Long service lives, low roll resistance thanks to high-quality ball bearings, easy to interchange

Ø mm	Part number
16,0	6 99 02 020 00 0
17,0	6 99 02 021 00 0
17,2	6 99 02 022 00 0
18,0	6 99 02 023 00 0
19,0	6 99 02 024 00 0
20,0	6 99 02 025 00 0
21,0	6 99 02 026 00 0
21,3	6 99 02 027 00 0
22,0	6 99 02 028 00 0
22,2	6 99 02 029 00 0
22,5	6 99 02 030 00 0
23,0	6 99 02 031 00 0
23,1	6 99 02 032 00 0
24,0	6 99 02 033 00 0
24,5	6 99 02 034 00 0
25,0	6 99 02 035 00 0
25,4	6 99 02 036 00 0
25,9	6 99 02 037 00 0
26,0	6 99 02 038 00 0
26,4	6 99 02 039 00 0
26,9	6 99 02 040 00 0
27,0	6 99 02 041 00 0
28,0	6 99 02 042 00 0
28,6	6 99 02 043 00 0
28,8	6 99 02 044 00 0
29,0	6 99 02 045 00 0
30,0	6 99 02 046 00 0
31,7	6 99 02 047 00 0
32,0	6 99 02 048 00 0
33,0	6 99 02 049 00 0
33,7	6 99 02 050 00 0
34,0	6 99 02 051 00 0
35,0	6 99 02 052 00 0
36,0	6 99 02 053 00 0
37,5	6 99 02 054 00 0

38,0	6 99 02 055 00 0
38,1	6 99 02 056 00 0
38,3	6 99 02 057 00 0
40,0	6 99 02 058 00 0
41,0	6 99 02 059 00 0
41,2	6 99 02 060 00 0
42,0	6 99 02 061 00 0
42,4	6 99 02 062 00 0
42,6	6 99 02 063 00 0
43,0	6 99 02 064 00 0
43,3	6 99 02 065 00 0
44,0	6 99 02 066 00 0
44,5	6 99 02 067 00 0
45,0	6 99 02 068 00 0
46,0	6 99 02 069 00 0
48,0	6 99 02 070 00 0
48,3	6 99 02 071 00 0
49,0	6 99 02 072 00 0
50,0	6 99 02 073 00 0
50,8	6 99 02 074 00 0
51,0	6 99 02 075 00 0
53,0	6 99 02 076 00 0
53,7	6 99 02 077 00 0
54,0	6 99 02 078 00 0
55,0	6 99 02 079 00 0
57,0	6 99 02 080 00 0
58,0	6 99 02 081 00 0
59,0	6 99 02 082 00 0
60,0	6 99 02 083 00 0
60,3	6 99 02 084 00 0
63,0	6 99 02 085 00 0
63,5	6 99 02 086 00 0
65,0	6 99 02 087 00 0
67,0	6 99 02 088 00 0
69,0	6 99 02 089 00 0
70,0	6 99 02 090 00 0
73,0	6 99 02 091 00 0
75,0	6 99 02 092 00 0
76,0	6 99 02 093 00 0
76,1	6 99 02 094 00 0
76,2	6 99 02 095 00 0
80,0	6 99 02 096 00 0
82,5	6 99 02 097 00 0
88,9	6 99 02 098 00 0
90,0	6 99 02 099 00 0

Eye protection GU75/GR/GXR (3 pieces)

Part number
3 90 00 000 00 7

Dust container

Plastic, to douse sparks, with handles on the sides, capacity about 15 l

Part number
3 90 00 000 38 5

Connecting piece

Required for adapting the GXR module to a belt grinder of the GI program

Part number
6 99 02 186 00 0



Accessories GRIT GXC



Pipe support
Ø 10-130 mm

Part number
6 99 02 179 60 0



Pipe support
Ø 10-160 mm
Can be combined with one another depending on the pipe length desired.

max. pipe length mm	Part number
1 000	6 99 02 180 60 0



Pipe support
Ø 10-160 mm
Can be combined with one another depending on the pipe length desired.

max. pipe length mm	Part number
1 500	6 99 02 181 60 0



Guide rail, brass
For dry grinding and course material surfaces

Part number
3 90 00 000 49 6



Nylon glide support
For high surface quality

Part number
3 90 00 000 49 7

Connecting piece
Required for adapting the GXC module to a belt grinder of the GI program

Part number
6 99 02 187 00 0

Accessories GRIT GXE

Stainless steel sanding support
GXE

Part number
6 99 02 344 00 0



Steel wire brush
Ø 250 mm x 60 mm, with very high wire drawing strength for highly efficient use, mounting hole Ø 51 mm.
0.2 mm thick wire for thin-walled pipes and profiles. 0.35 mm-thick wire for universal use. 0.5 mm thick wire for thick-walled pipes and profiles and great deburring results.
Steel version

Wire thickness mm	Part number
0,20	6 99 02 006 00 0
0,35	6 99 02 007 00 0
0,50	6 99 02 008 00 0



Steel wire brush
Ø 250 mm x 60 mm, with very high wire drawing strength for highly efficient use, mounting hole Ø 51 mm.
0.2 mm thick wire for thin-walled pipes and profiles. 0.35 mm-thick wire for universal use. 0.5 mm thick wire for thick-walled pipes and profiles and great deburring results.
Stainless steel version

Wire thickness mm	Part number
0,20	6 99 02 009 00 0
0,35	6 99 02 010 00 0

Eye protection
Acrylic screen for protection against sparks

No. in pack pcs	Part number
3	3 90 00 000 00 4

Accessories GRIT GXW

Grinding/cooling emulsion
Concentrate, 10 l, mixing ratio 1:30, yields 300 l of ready-to-use cooling lubricant.

Part number
6 99 02 100 00 0

Other GRIT GX accessories

Hose
Flexible, for swarf extraction, 90 mm in diameter, 1 m long, steel, high level of heat resistance.

Part number
3 90 00 000 00 2

Tube clamps
For securing the flexible hose.

Part number
3 90 00 000 00 3

Dust container
For extinguishing sparks, metal lid for hose connection, plastic, handles on the sides, capacity approx. 20 l.

Part number
6 99 02 000 00 0

Device for dust extract
GXS

Part number
6 99 02 000 14 7

Accessories for GRIT GI 75 / GI 75 2H

Graphite pad
As sliding base for surface grinding.

No. in pack pcs	Part number
5	3 90 00 000 00 1

Eye protection GU75/GR/GXR (3 pieces)

Part number
3 90 00 000 00 7

Mitre joint unit for preparation of welded seams
GI/GIS 75

Part number
6 99 02 000 15 0

Stainless steel sanding support
GI/GIS 75

Part number
6 99 02 000 14 8

Accessories for GRIT GI 150 / GI 150 2H

Graphite coating

Part number
3 90 00 000 05 6

Mitre joint unit for preparation of welded seams
GI/GIS 150

Part number
6 99 02 000 15 1

Stainless steel sanding support
GI/GIS 150

Part number
6 99 02 000 14 9

Eye protection

Part number
3 90 00 000 18 4

Accessories for GRIT GIR



Contact roller

Long service lives, low roll resistance thanks to high-quality ball bearings, easy to interchange

Ø mm	Part number
20,0	6 99 02 101 00 0
22,0	6 99 02 102 00 0
25,0	6 99 02 103 00 0
25,4	6 99 02 104 00 0
26,9	6 99 02 105 00 0
28,0	6 99 02 106 00 0
30,0	6 99 02 107 00 0
32,0	6 99 02 108 00 0
33,7	6 99 02 109 00 0
35,0	6 99 02 110 00 0
38,0	6 99 02 111 00 0
38,1	6 99 02 112 00 0
38,3	6 99 02 113 00 0
40,0	6 99 02 114 00 0
42,4	6 99 02 115 00 0
44,5	6 99 02 116 00 0
48,3	6 99 02 117 00 0
50,0	6 99 02 118 00 0
50,8	6 99 02 119 00 0
60,0	6 99 02 120 00 0
60,3	6 99 02 121 00 0
63,5	6 99 02 122 00 0
69,0	6 99 02 123 00 0
76,1	6 99 02 124 00 0
76,2	6 99 02 125 00 0
84,0	6 99 02 126 00 0
88,9	6 99 02 127 00 0
101,6	6 99 02 128 00 0
104,0	6 99 02 129 00 0
108,0	6 99 02 130 00 0
114,3	6 99 02 131 00 0
133,0	6 99 02 132 00 0
139,7	6 99 02 133 00 0
168,3	6 99 02 134 00 0
193,7	6 99 02 000 18 7

Connecting piece

Required for adapting the GXC module to a belt grinder of the GI program

Part number
6 99 02 187 00 0

Eye protection

Part number
3 90 00 000 18 4

Mitre grinding plate GIG

For precision mitre joint grinding, easy assembly.

Part number
6 99 02 175 00 0

Adaptor

For optimum extraction, for connection to the machine base GRIT GIBE with double extraction.

Part number
6 99 02 182 00 0

Accessories for GRIT GIE



Steel wire brush

Ø 250 mm x 60 mm, with very high wire drawing strength for highly efficient use, mounting hole Ø 51 mm. 0.2 mm thick wire for thin-walled pipes and profiles. 0.35 mm-thick wire for universal use. 0.5 mm thick wire for thick-walled pipes and profiles and great deburring results. Steel version

Wire thickness mm	Part number
0,20	6 99 02 006 00 0
0,35	6 99 02 007 00 0
0,50	6 99 02 008 00 0



Steel wire brush

Ø 250 mm x 60 mm, with very high wire drawing strength for highly efficient use, mounting hole Ø 51 mm. 0.2 mm thick wire for thin-walled pipes and profiles. 0.35 mm-thick wire for universal use. 0.5 mm thick wire for thick-walled pipes and profiles and great deburring results. Stainless steel version

Wire thickness mm	Part number
0,20	6 99 02 009 00 0
0,35	6 99 02 010 00 0

Eye protection GU75/GR/GXR (3 pieces)

Part number
3 90 00 000 00 7

Cassette filter

Suitable for GRIT GIBE.

Part number
3 90 00 000 97 6

Cassette filter

Suitable for GRIT GIXBE.

Part number
3 90 00 001 10 1



GRIT GIC accessories



Pipe support
Ø 10-160 mm
Can be combined with one another depending on the pipe length desired.

max. pipe length mm	Part number
1 000	6 99 02 180 60 0



Pipe support
Ø 10-160 mm
Can be combined with one another depending on the pipe length desired.

max. pipe length mm	Part number
1 500	6 99 02 181 60 0



Pipe cleaning unit
For a clean and dry working environment. The coolant is wiped off the pipe surface without the pipe being scratched. For pipes with a diameter of between 10 and 130 mm. Easy to fit on GIC.

Part number
6 99 02 000 14 6

Drilling template
For fitting on belt grinders GI 75 / GI 75 2H from before the 1034026 series. For subsequent threaded bores on these belt grinders.

Part number
3 90 00 004 55 4



Guide rail, brass
For dry grinding and course material surfaces

Part number
3 90 00 000 49 6



Nylon glide support
For high surface quality

Part number
3 90 00 000 49 7

Grinding/cooling emulsion
Concentrate, 10 l, mixing ratio 1:30, yields 300 l of ready-to-use cooling lubricant.

Part number
6 99 02 100 00 0

GRIT GIL accessories

Graphite pad
As sliding base for surface grinding.

No. in pack pcs	Part number
4	3 90 00 004 76 0

Other accessories GRIT GI

Hose
Flexible, for swarf extraction, 90 mm in diameter, 1 m long, steel, high level of heat resistance.

Part number
3 90 00 000 00 2

Tube clamps
For securing the flexible hose.

Part number
3 90 00 000 00 3

Dust container
Plastic, to douse sparks, with handles on the sides, capacity about 15 l

Part number
3 90 00 000 38 5

Dust container
For extinguishing sparks, metal lid for hose connection, plastic, handles on the sides, capacity approx. 20 l.

Part number
6 99 02 000 00 0

Device for dust extract
GXS

Part number
6 99 02 000 14 7

Contact disc

Part number
6 99 02 346 00 0

Contact wheel D200 x 30, Shore 90

Part number
6 99 02 345 00 0

Drive wheel puller

Part number
6 99 02 410 00 0

Swivel joint GIT for GIL
For adapting working area to tight spaces, continuously variable swivel range of up to 90°.

Part number
6 99 02 176 00 0

Plugbox 2 x 7 poles

Part number
6 99 02 183 00 0

Connecting piece
Required for adapting the GXC module to a belt grinder of the GI program

Part number
6 99 02 187 00 0

Jawset vice

Part number
6 99 02 335 00 0



Practical, useful and sometimes essential: the FEIN tailored accessory.

With over 140 years of experience in building power tools, we know what really matters for the most diverse applications and in every industry. This also explains why so much is included in the the basic models of FEIN power tools and why some things are only available as optional accessories. Because what seems indispensable to one person might be superfluous to another. We know that from experience.



Balancers

Page 258

Balancers increase operating comfort and safety.
For loads of 0.5 kg - 60 kg.

Balancer up to 1.5 kg



For accessories, see page 261

Safe suspension of device and power line in “weightless” state.

Variable load	kg	0,5-1,5
Factory setting	kg	1
max. stroke	m	0,9
Weight	kg	0,35
Model		Stable nylon cable.
Part number		9 08 01 012 00 8
EAN		4014586835075

FEIN benefits:

- ▶ Small size.
- ▶ Constant traction.
- ▶ Easily adjustable.
- ▶ Stable nylon cable.
- ▶ Spiral cordset available as accessory

Balancer up to 1.5 kg



For accessories, see page 261

Safe suspension of device and power line in “weightless” state.

Variable load	kg	0,5-1,5
Factory setting	kg	1
max. stroke	m	0,9
Weight	kg	0,35
Model		Wire cable
Part number		9 08 01 052 00 4
EAN		4014586854052

FEIN benefits:

- ▶ Constant traction.
- ▶ Tear-resistant steel cable.
- ▶ Spiral cordset available as accessory

Balancer up to 2,5 kg



For accessories, see page 261

Safe suspension of device and power line in “weightless” state.

Variable load	kg	1,5-2,5
Factory setting	kg	2
max. stroke	m	0,9
Weight	kg	0,35
Model		Stable nylon cable.
Part number		9 08 01 023 00 1
EAN		4014586835099

FEIN benefits:

- ▶ Small size.
- ▶ Constant traction.
- ▶ Easily adjustable.
- ▶ Stable nylon cable.
- ▶ Spiral cordset available as accessory

Balancer up to 2,5 kg



For accessories, see page 261

Safe suspension of device and power line in “weightless” state.

Variable load	kg	1,5-2,5
Factory setting	kg	2
max. stroke	m	0,9
Weight	kg	0,35
Model		Wire cable
Part number		9 08 01 037 00 9
EAN		4014586835228

FEIN benefits:

- ▶ Constant traction.
- ▶ Tear-resistant steel cable.
- ▶ Spiral cordset available as accessory

Balancer up to 3 kg



For accessories, see page 261

Safe suspension of device and power line in “weightless” state.

Variable load	kg	1-3
Factory setting	kg	2
max. stroke	m	2
Weight	kg	3,2
Model		Wire cable
Part number		9 08 01 024 00 9
EAN		4014586835105

FEIN benefits:

- ▶ Constant traction.
- ▶ Tear-resistant steel cable.
- ▶ Spiral cordset available as accessory



Balancer up to 5 kg

Safe suspension of device and power line in “weightless” state.



Variable load	kg	2,5-5
Factory setting	kg	3,5
max. stroke	m	2
Weight	kg	3,2
Model		Wire cable
Part number	9 08 01 025 00 3	
EAN	4014586835136	

FEIN benefits:

- ▶ Constant traction.
- ▶ Tear-resistant steel cable.
- ▶ Spiral cordset available as accessory

For accessories, see page 261

Balancer up to 6,5 kg

Safe suspension of device and power line in “weightless” state.



Variable load	kg	3,5-6,5
Factory setting	kg	5
max. stroke	m	2
Weight	kg	3,2
Model		Wire cable
Part number	9 08 01 026 00 6	
EAN	4014586835143	

FEIN benefits:

- ▶ Constant traction.
- ▶ Tear-resistant steel cable.
- ▶ Spiral cordset available as accessory

For accessories, see page 261

Balancer up to 9 kg

Safe suspension of device and power line in “weightless” state.



Variable load	kg	4,5-9
Factory setting	kg	7
max. stroke	m	2
Weight	kg	3,2
Model		Wire cable
Part number	9 08 01 027 00 0	
EAN	4014586835150	

FEIN benefits:

- ▶ Constant traction.
- ▶ Tear-resistant steel cable.
- ▶ Spiral cordset available as accessory

For accessories, see page 261

Balancer up to 11 kg

Safe suspension of device and power line in “weightless” state.



Variable load	kg	7,5-11
Factory setting	kg	9
max. stroke	m	2
Weight	kg	3,2
Model		Wire cable
Part number	9 08 01 028 00 8	
EAN	4014586835167	

FEIN benefits:

- ▶ Constant traction.
- ▶ Tear-resistant steel cable.
- ▶ Spiral cordset available as accessory

For accessories, see page 261

Balancer up to 14 kg

Safe suspension of device and power line in “weightless” state.



Variable load	kg	10-14
Factory setting	kg	12
max. stroke	m	2
Weight	kg	3,2
Model		Wire cable
Part number	9 08 01 029 00 2	
EAN	4014586835174	

FEIN benefits:

- ▶ Constant traction.
- ▶ Tear-resistant steel cable.
- ▶ Spiral cordset available as accessory

For accessories, see page 261

Balancer up to 17 kg



For accessories, see page 261

Safe suspension of device and power line in “weightless” state.

Variable load	kg	13,5-17
Factory setting	kg	15
max. stroke	m	2
Weight	kg	3,2
Model		Wire cable
Part number	9 08 01 030 00 4	
EAN	4014586835181	

FEIN benefits:

- ▶ Constant traction.
- ▶ Tear-resistant steel cable.
- ▶ Spiral cordset available as accessory

Balancer up to 25 kg



For accessories, see page 261

Safe suspension of device and power line in “weightless” state.

Variable load	kg	13-25
Factory setting	kg	15
max. stroke	m	1,9
Weight	kg	11,2
Model		Wire cable
Part number	9 08 01 055 00 0	
EAN	4014586880693	

FEIN benefits:

- ▶ Constant traction.
- ▶ Tear-resistant steel cable.
- ▶ Spiral cordset available as accessory

Balancer up to 32 kg



For accessories, see page 261

Safe suspension of device and power line in “weightless” state.

Variable load	kg	22-32
Factory setting	kg	25
max. stroke	m	1,9
Weight	kg	11,5
Model		Wire cable
Part number	9 08 01 056 00 0	
EAN	4014586880709	

FEIN benefits:

- ▶ Constant traction.
- ▶ Tear-resistant steel cable.
- ▶ Spiral cordset available as accessory

Balancer up to 45 kg



For accessories, see page 261

Safe suspension of device and power line in “weightless” state.

Variable load	kg	30-45
Factory setting	kg	40
max. stroke	m	1,9
Weight	kg	12
Model		Wire cable
Part number	9 08 01 057 00 0	
EAN	4014586880716	

FEIN benefits:

- ▶ Constant traction.
- ▶ Tear-resistant steel cable.
- ▶ Spiral cordset available as accessory

Balancer up to 60 kg



For accessories, see page 261

Safe suspension of device and power line in “weightless” state.

Variable load	kg	45-60
Factory setting	kg	50
max. stroke	m	1,9
Weight	kg	12,4
Model		Wire cable
Part number	9 08 01 058 00 0	
EAN	4014586880723	

FEIN benefits:

- ▶ Constant traction.
- ▶ Tear-resistant steel cable.
- ▶ Spiral cordset available as accessory

**General accessories**

Spiral cordset
for electric tools with mains connection cables of quality
HO 5 RN-F 2 x 1.

Part number
3 07 07 157 03 5

Balancer up to 60 kg

Locking device
for locking the extended cable. eases the exchange of the
hooked on tool.

Part number
3 02 40 239 01 4



Swivel hook
to hook on the rope eye. Prevents the rope from twisting.

Part number
3 02 32 044 01 0

Part number	EAN	Description	PC	Page
7 104 05 61 00 0	4014586873190	ASB 14	18	15
7 104 05 62 00 0	4014586873244	ASB 14 C	18	15
7 104 06 61 00 0	4014586873299	ASB 18	18	14
7 104 06 62 00 0	4014586873343	ASB 18 C	18	14
7 104 06 63 00 0	4014586881454	ASB 18 Select	01	14
7 105 01 61 00 0	4014586870250	ABOP 6	01	53
7 105 01 62 00 0	4014586881744	ABOP 6 Select	01	53
7 105 02 61 00 0	4014586870267	ABOP 10	01	53
7 105 02 62 00 0	4014586881751	ABOP 10 Select	01	54
7 105 03 61 00 0	4014586870274	ABOP 13-2	01	54
7 105 03 62 00 0	4014586881768	ABOP 13-2 Select	01	54
7 105 04 61 00 0	4014586878829	AWBP 10	01	55
7 105 04 62 00 0	4014586881775	AWBP 10 Select	01	55
7 112 28 00 95 0	4014586876238	ASM 14-6 (without battery)	05	29
7 112 40 00 95 0	4014586876245	ASW 14-6 (without battery and angled head)	05	32
7 112 42 00 95 0	4014586876252	ASW 14-10 (without battery and angled head)	05	32
7 112 50 00 95 0	4014586874210	ASW 14-6 PC (without battery and angled head)	05	33
7 112 51 00 95 0	4014586874227	ASW 14-10 PC (without battery and angled head)	05	33
7 112 52 00 95 0	4014586874234	ASW 14-14 PC (without battery and angled head)	05	33
7 112 53 00 95 0	4014586877549	ASW 14-30 PC (without battery)	05	34
7 112 54 00 95 0	4014586874241	ASM 14-6 PC (without battery)	05	29
7 112 55 00 95 0	4014586874258	ASM 14-9 PC (without battery)	05	30
7 112 56 00 95 0	4014586874265	ASM 14-12 PC (without battery)	05	30
7 112 57 00 95 0	4014586877198	ASM 14-12 (without battery)	05	30
7 112 58 00 95 0	4014586877204	ASW 14-14 (without battery and angled head)	05	32
7 112 59 00 95 0	4014586877211	ASM 14-9 (without battery)	05	30
7 112 60 00 95 0	4014586881294	ASM 14-2 (without battery)	05	29
7 112 61 00 95 0	4014586881317	ASM 14-2 PC (without battery)	05	29
7 112 62 60 00 0	4014586883830	ASW 18-30 PC (without battery and angled head)	05	34
7 112 63 60 00 0	4014586883847	ASW 18-45 PC (without battery and angled head)	05	34
7 112 64 60 00 0	4014586883854	ASW 18-60 PC (without battery and angled head)	05	35
7 113 10 61 00 0	4014586869452	ASCS 4.8	01	22
7 113 11 62 00 0	4014586869476	ASCS 6.3	01	22
7 113 11 63 00 0	4014586881461	ASCS 6.3 Select	01	22
7 113 14 61 00 0	4014586870281	ASCT 14	01	18
7 113 14 62 00 0	4014586870748	ASCT 14 M	01	18
7 113 16 61 00 0	4014586870298	ASCT 18	01	19
7 113 16 62 00 0	4014586870793	ASCT 18 M	01	19
7 113 18 61 00 0	4014586873398	ABS 14	18	10
7 113 18 62 00 0	4014586873442	ABS 14 C	18	10
7 113 19 61 00 0	4014586873497	ABS 18	18	8
7 113 19 62 00 0	4014586873541	ABS 18 C	18	8
7 113 19 63 00 0	4014586881478	ABS 18 Select	01	8
7 113 20 61 00 0	4014586881485	ABSU 12 C	18	11
7 113 21 61 00 0	4014586881539	ABSU 12 W4C	18	11
7 115 01 61 00 0	4014586873596	ASCD 18 W2	18	25
7 115 01 62 00 0	4014586873640	ASCD 18 W2C	18	25
7 115 01 63 00 0	4014586881546	ASCD 18 W2 Select	01	25
7 115 02 61 00 0	4014586873695	ASCD 18 W4	18	25
7 115 02 62 00 0	4014586873749	ASCD 18 W4C	18	26
7 115 02 63 00 0	4014586881553	ASCD 18 W4 Select	01	26
7 115 03 61 00 0	4014586881560	ASCD 12-100 W4C	18	26
7 116 01 61 00 0	4014586873817	ASCM 14	18	9
7 116 02 61 00 0	4014586873862	ASCM 14 QX	18	9
7 116 03 61 00 0	4014586873916	ASCM 18	18	7
7 116 03 62 00 0	4014586881713	ASCM 18 Select	01	7
7 116 04 61 00 0	4014586873961	ASCM 18 QX	18	6
7 116 04 62 00 0	4014586881577	ASCM 18 QX Select	01	6
7 116 05 61 00 0	4014586874012	ASCM 14 C	18	10
7 116 06 61 00 0	4014586874067	ASCM 14 QXC	18	9
7 116 07 61 00 0	4014586874111	ASCM 18 C	18	7
7 116 08 61 00 0	4014586874166	ASCM 18 QXC	18	6
7 116 10 61 00 0	4014586881447	ASCM 12 C	18	11
7 121 77 60 00 0	4014586878904	WSG 11-125 DC	19	-
7 129 18 61 00 0	4014586884004	AFSC 1.7 Q - FEIN cordless professional set for vehicle glazing	03	45
7 129 18 62 00 0	4014586885186	AFSC 1.7 QC	03	45
7 129 18 63 00 0	4014586885209	AFSC 1.7 Q	03	45
7 129 22 61 00 0	4014586884066	AFMM 18 QSL	03	38
7 129 25 61 00 0	4014586884141	AFMT 12 QSL	03	38
7 129 26 61 00 0	4014586884226	AFMT 12 SL	03	38
7 129 27 60 00 0	4014586884295	AFSC 18 QSL Select	03	42
7 129 27 61 00 0	4014586884301	AFSC 18 QSL	03	42
7 129 27 62 00 0	4014586884349	AFSC 18 QCSL	03	42
7 129 27 64 00 0	4014586884387	AFSC 18 QSL - FEIN professional set for interior work with wood	03	43
7 129 27 66 00 0	4014586884424	AFSC 18 QSL - FEIN professional set for repairing / replacing windows	03	43
7 129 27 67 00 0	4014586884431	AFSC 18 QSL - FEIN professional set for tile restoration / bathroom renovation	03	44



Part number	EAN	Description	PC	Page
7 129 27 68 00 0	4014586884448	AFSC 18 QSL - FEIN professional set for heating / sanitary installation	03	44
7 130 01 61 00 0	4014586876078	ABSS 1.6 E	01	47
7 130 02 61 00 0	4014586876153	ABLS 1.6 E	01	48
7 132 01 61 00 0	4014586869643	ABLK 1.6 E	01	50
7 132 02 61 00 0	4014586869698	ABLK 1.3 CSE	01	50
7 132 03 61 00 0	4014586869742	ABLK 1.3 TE	01	50
7 144 01 61 00 0	4014586872544	SuperWire	01	57
7 144 01 62 00 0	4014586872568	SuperWire (without battery or charger)	01	57
7 190 01 61 00 0	4014586869575	Combo ABLK 1.6 - ASCS 4.8	01	59
7 190 04 61 00 0	4014586876658	Combo ABS 18 C - ASCD 18 W2C	01	59
7 190 06 61 00 0	4014586876757	Combo ABS 18 C - ASCD 18 W4C	01	59
7 190 07 61 00 0	4014586877266	Combo ASB 18 - ASCD 18 W4	01	59
7 190 07 62 00 0	4014586877280	Combo ASB 18 C - ASCD 18 W4C	01	59
7 190 09 61 00 0	4014586882833	Combo AFMT 12 Q + ABSU 12 C	01	60
7 190 10 61 00 0	4014586882871	Combo ASCD 12-100 W4C + ABSU 12 C	01	60
7 190 11 61 00 0	4014586882918	Combo AFMT 12 Q + ASCM 12 C	01	60
7 202 06 00 22 9	4014586802749	DDSk 672	01	71
7 202 09 00 22 7	4014586802855	DSke 672	01	71
7 205 01 00 22 8	4014586804453	DDSk 672-1	01	71
7 205 03 00 22 0	4014586804569	ASq 672-1	01	72
7 205 47 60 00 0	4014586874463	BOS 16	01	70
7 205 49 60 00 0	4014586876443	BOS 16-2	01	70
7 205 51 60 00 0	4014586878843	WBP 10	01	74
7 205 52 60 00 0	4014586882413	BOP 6	01	66
7 205 52 61 00 0	4014586881973	BOP 6 Set	01	66
7 205 53 60 00 0	4014586882468	BOP 10	01	67
7 205 53 61 00 0	4014586881980	BOP 10 Set	01	67
7 205 54 60 00 0	4014586882512	BOP 10-2	01	68
7 205 54 61 00 0	4014586881997	BOP 10-2 Set	01	68
7 205 55 60 00 0	4014586882567	BOP 13-2	01	69
7 205 55 61 00 0	4014586882017	BOP 13-2	01	69
7 209 38 60 00 0	4014586881256	GWP 10	01	79
7 213 04 00 23 9	4014586853734	SCS 4.8-25	01	82
7 213 06 50 01 8	4014586854205	SCT 5-40 M	01	84
7 213 13 00 23 0	4014586860923	SCT 5-40 X	01	84
7 220 78 00 22 5	4014586811260	MSf 636-1	01	186
7 221 05 00 23 7	4014586851242	WSB 20-180	01	99
7 221 05 29 23 2	4014586851792	WSB 20-180	01	-
7 221 06 00 23 0	4014586851259	WSB 20-230	01	99
7 221 06 29 23 5	4014586851815	WSB 20-230	01	-
7 221 07 00 23 6	4014586851266	WSG 20-180	01	99
7 221 07 29 23 1	4014586851839	WSG 20-180	01	-
7 221 08 00 23 2	4014586851273	WSG 20-230	01	99
7 221 08 29 23 7	4014586851853	WSG 20-230	01	-
7 221 10 00 23 3	4014586853116	WSB 25-180 X	01	100
7 221 10 29 23 8	4014586853246	WSB 25-180 X	01	-
7 221 10 99 23 1	4014586853253	WSB 25-180 X	01	-
7 221 11 00 23 2	4014586853123	WSB 25-230 X	01	100
7 221 11 29 23 7	4014586853314	WSB 25-230 X	01	-
7 221 11 99 23 0	4014586853321	WSB 25-230 X	01	-
7 221 13 50 01 4	4014586853819	RS 12-70 E	01	186
7 221 13 51 01 3	4014586853826	Professional set pipe sander	01	186
7 221 26 00 23 0	4014586856452	WSG 25-180	01	100
7 221 26 29 23 0	4014586856490	WSG 25-180	01	-
7 221 26 99 23 0	4014586857596	WSG 25-180	01	-
7 221 27 00 23 0	4014586856506	WSG 25-230	01	100
7 221 27 29 23 0	4014586856544	WSG 25-230	01	-
7 221 31 00 23 0	4014586858371	MSfv 649-1	01	90
7 221 48 00 23 0	4014586862699	WPO 14-15 E	01	199
7 221 48 50 01 0	4014586862712	WPO 14-15 E marine polishing set	01	199
7 221 48 51 01 0	4014586867069	WPO 14-15 E Set	01	200
7 221 48 60 00 0	4014586872216	WPO 14-15 E marine polishing set	01	200
7 221 49 00 23 0	4014586862729	WPO 14-25 E	01	187
7 221 49 50 01 0	4014586862743	WPO 14-25 E start set for stainless steel	01	187
7 221 49 51 01 0	4014586867113	WPO 14-25 E	01	200
7 221 63 00 23 0	4014586866055	WPO 10-25 E	01	201
7 221 63 51 01 0	4014586867199	WPO 10-25 E Set	01	201
7 221 65 50 01 0	4014586867236	ROT 14-200 E	01	187
7 221 66 60 00 0	4014586867519	RS 10-70 E Start set	01	188
7 221 67 60 00 0	4014586868936	KS 10-38 E - Set	01	188
7 221 73 60 00 0	4014586875033	WSG 8-115	19	90
7 221 74 60 00 0	4014586875125	WSG 8-125	19	90
7 221 75 60 00 0	4014586875217	WSG 12-125 P	19	90
7 221 76 60 00 0	4014586875309	WSG 12-125 PQ	19	91
7 221 77 60 00 0	4014586875316	WSG 11-125	19	91
7 221 78 60 00 0	4014586875323	WSG 15-125 P	19	91

Part number	EAN	Description	PC	Page
7 221 79 60 00 0	4014586875330	WSG 15-125 PQ	19	91
7 221 87 60 00 0	4014586879888	WSG 11-125 RT	19	92
7 221 90 60 00 0	4014586879970	WSG 15-125 PR	19	92
7 221 91 60 00 0	4014586880020	WSG 15-125 PRT	19	92
7 222 07 60 00 0	4014586883120	WSG 17-125 P	19	92
7 222 08 60 00 0	4014586883175	WSG 17-125 PQ	19	93
7 222 09 60 00 0	4014586883236	WSG 17-125 PS	19	93
7 222 10 60 00 0	4014586883304	WSG 17-125 PSQ	19	93
7 222 11 60 00 0	4014586883366	WSG 17-150 P	19	94
7 222 12 60 00 0	4014586883434	WSG 17-150 PQ	19	94
7 222 13 60 00 0	4014586883496	WSG 17-70 Inox	19	94
7 222 13 61 00 0	4014586883564	WSG 17-70 Inox starter set	19	95
7 222 18 60 00 0	4014586883571	WSG 17-125 PR	19	95
7 222 19 60 00 0	4014586883618	WSG 17-125 PRT	19	95
7 222 20 60 00 0	4014586883656	WSG 17-150 PR	19	96
7 222 21 60 00 0	4014586883694	WSG 17-150 PRT	19	96
7 222 22 60 00 0	4014586883731	WSG 17-70 Inox R	19	96
7 222 23 60 00 0	4014586883779	WSG 17-70 Inox RT	19	96
7 223 16 60 00 0	4014586879505	GSZ 8-280 P	01	104
7 223 17 60 00 0	4014586879437	GSZ 8-280 PE	01	104
7 223 18 60 00 0	4014586879598	GSZ 8-280 PL	01	104
7 223 19 60 00 0	4014586879444	GSZ 8-280 PEL	01	105
7 223 20 60 00 0	4014586879451	GSZ 8-90 PEL	01	105
7 223 21 60 00 0	4014586880495	GSZ 11-320 PRL	01	105
7 223 22 60 00 0	4014586880501	GSZ 11-320 PERL	01	106
7 223 23 60 00 0	4014586880525	GSZ 11-90 PERL	01	106
7 223 24 60 00 0	4014586880594	GSZ 4-280 EL	01	106
7 223 25 60 00 0	4014586880648	GSZ 4-90 EL	01	107
7 228 05 50 00 0	4014586867250	BF 10-280 E	01	188
7 228 05 51 00 0	4014586867267	BF 10-280 E Start-Set	01	189
7 229 46 61 00 0	4014586885247	FSC 500 QSL	03	211
7 229 46 62 00 0	4014586885308	FEIN professional set for interior work with wood	03	211
7 229 46 63 00 0	4014586885353	FEIN professional set for repairing/replacing windows	03	211
7 229 46 64 00 0	4014586885360	FEIN professional set for tile restoration/bathroom renovation	03	212
7 229 46 65 00 0	4014586885407	FEIN professional set for heating/sanitary installation	03	212
7 229 46 67 00 0	4014586885414	FEIN composite professional set	03	212
7 229 48 61 00 0		FSC 1.7 Q	03	231
7 229 48 62 00 0		FEIN professional set for vehicle glazing	03	231
7 229 49 61 00 0		FSC 1.7	03	231
7 229 52 61 00 0	4014586884578	FMM 350 QSL - FEIN MULTIMASTER Top	03	207
7 229 52 62 00 0	4014586884691	FMM 350 QSL - FEIN MULTIMASTER QuickStart	03	207
7 229 52 63 00 0	4014586884462	FMM 350 QSL - FEIN MULTIMASTER Top Extra	03	208
7 229 52 66 00 0	4014586884851	FMM 350 QSL - FEIN MULTIMASTER Marine	03	208
7 229 53 61 00 0	4014586884905	FMT 250 QSL - FEIN MULTITALENT QuickStart	03	209
7 229 54 61 00 0	4014586885025	FMT 250 SL - FEIN MULTITALENT Start	03	209
7 230 23 00 23 8	4014586848624	BLS 3.5	01	128
7 230 24 00 23 4	4014586848631	BLS 4.2	01	128
7 230 31 61 00 0	4014586874661	BSS 1.6 E	01	125
7 230 32 61 00 0	4014586874739	BSS 1.6 CE	01	125
7 230 33 61 00 0	4014586874807	BSS 2.0 E	01	125
7 230 34 61 00 0	4014586874876	BLS 1.6 E	01	128
7 230 35 61 00 0	4014586874944	BLS 2.5 E	01	129
7 232 30 00 23 0	4014586848655	BLK 3.5	01	131
7 232 31 00 23 9	4014586848662	BLK 5.0	01	131
7 232 38 60 00 0	4014586869858	BLK 1.6 E	01	131
7 232 39 60 00 0	4014586869926	BLK 1.6 LE	01	132
7 232 40 60 00 0	4014586869995	BLK 2.0 E	01	132
7 232 41 60 00 0	4014586870069	BLK 1.3 TE	01	133
7 232 42 60 00 0	4014586870137	BLK 1.3 CSE	01	133
7 234 15 00 23 0	4014586839332	AStE 638	01	139
7 234 17 00 23 9	4014586841670	ASt 638	01	139
7 234 22 00 23 0	4014586858470	AStx 649-1	01	142
7 234 23 00 23 0	4014586858500	AStxe 649-1	01	142
7 236 36 50 01 0	4014586863122	FSC 2.0 Q	03	224
7 238 14 00 23 0	4014586865744	MF 14-180	01	145
7 270 27 00 23 5	4014586850771	KBM 32 Q	01	160
7 270 32 00 23 0	4014586862538	KBM 80 auto	01	171
7 270 34 00 23 0	4014586862545	KBM 80 U	01	171
7 270 40 61 00 0	4014586872995	KBM 50 U	01	161
7 270 41 61 00 0	4014586872834	KBM 50 Q	01	160
7 270 42 61 00 0	4014586874272	KBM 50 auto	01	161
7 270 43 61 00 0	4014586872902	KBM 65 U	01	162
7 271 01 61 00 0	4014586868769	KBH 25	01	148
7 272 01 61 00 0	4014586700212	KBB 30	01	153
7 272 02 61 00 0	4014586700328	KBB 38	01	153
7 272 03 61 00 0	4014586700502	KBB 40	01	153



Part number	EAN	Description	PC	Page
7 272 04 61 00 0	4014586700410	KBB 60	01	154
7 534 08 00 00 0	4014586855639	STS 325 R	01	142
7 536 03 00 01 0	4014586861906	MOdx 6-25	03	231
7 820 02 00 26 8	4014586823874	MSfov 852 300 Hz 200 V	09	-
7 820 43 00 26 5	4014586826646	MSfo 869d 300 Hz 200 V	09	-
7 820 62 00 22 0	4014586856742	MSfo 869-1c 300 Hz 72 V	09	-
7 820 62 00 26 0	4014586856759	MSfo 869-1c 300 Hz 200 V	09	110
7 820 63 00 12 0	4014586856797	MSfo 869-1c 200 Hz 72 V	09	-
7 820 63 00 17 0	4014586860190	MSfo 869-1c 200 Hz 135 V	09	-
7 820 63 00 20 0	4014586856803	MSfo 869-1c 200 Hz 265 V	09	-
7 820 64 00 12 0	4014586856810	MSfo 869-1d 200 Hz 72 V	09	-
7 820 64 00 17 0	4014586860206	MSfo 869-1d 200 Hz 135 V	09	-
7 820 64 00 20 0	4014586856827	MSfo 869-1d 200 Hz 265 V	09	-
7 820 65 00 22 0	4014586860664	MSfo 869-1d 300 Hz 72 V	09	-
7 820 65 00 26 0	4014586856834	MSfo 869-1d 300 Hz 200 V	09	110
7 820 70 00 20 0	4014586856926	MSfo 852-1c 200 Hz 265 V	09	-
7 820 71 00 26 0	4014586856933	MSfo 852-1c 300 Hz 200 V	09	110
7 820 72 00 20 0	4014586856964	MSfo 852-1d 200 Hz 265 V	09	-
7 820 73 00 26 0	4014586856971	MSfo 852-1d 300 Hz 200 V	09	111
7 820 74 00 12 0	4014586857008	MSfo 870-1c 200 Hz 72 V	09	-
7 820 74 00 17 0	4014586857015	MSfo 870-1c 200 Hz 135 V	09	-
7 820 74 00 20 0	4014586857022	MSfo 870-1c 200 Hz 265 V	09	-
7 820 75 00 26 0	4014586857053	MSfo 870-1c 300 Hz 200 V	09	111
7 820 76 00 20 0	4014586857091	MSfo 870-1d 200 Hz 265 V	09	-
7 820 77 00 26 0	4014586857107	MSfo 870-1d 300 Hz 200 V	09	111
7 820 79 00 20 0	4014586857138	MSfo 849-1c 200 Hz 265 V	09	-
7 820 80 00 26 0	4014586857145	MSfo 849-1c 300 Hz 200 V	09	116
7 820 81 00 17 0	4014586857268	MSf 843-1a 200 Hz 135 V	09	-
7 820 81 00 20 0	4014586857275	MSf 843-1a 200 Hz 265 V	09	-
7 820 81 99 20 0	4014586857282	MSf 843-1a 200 Hz 265 V	09	-
7 820 82 00 12 0	4014586857299	MSfov 852-1 200 Hz 72 V	09	-
7 820 82 00 17 0	4014586857305	MSfov 852-1 200 Hz 135 V	09	-
7 820 82 00 20 0	4014586857312	MSfov 852-1 200 Hz 265 V	09	-
7 820 83 00 22 0	4014586857329	MSfov 852-1 300 Hz 72 V	09	-
7 820 83 00 26 0	4014586857336	MSfov 852-1 300 Hz 200 V	09	112
7 820 85 00 26 0	4014586864402	MSf 843-1c 300 Hz 200 V	09	112
7 820 86 60 00 0	4014586869513	HFV 9-125 300 Hz 200 V	09	112
7 823 03 00 17 2	4014586827575	MSho 840-2 200 Hz 135 V	09	-
7 823 03 00 20 4	4014586827599	MSho 840-2 200 Hz 265 V	09	-
7 823 03 00 22 9	4014586827612	MSho 840-2 300 Hz 72 V	09	-
7 823 03 00 26 0	4014586827636	MSho 840-2 300 Hz 200 V	09	114
7 823 14 00 17 7	4014586828527	MShyo 840-1 200 Hz 135 V	09	-
7 823 19 00 20 0	4014586857923	MSh 843-1 200 Hz 265 V	09	-
7 823 19 00 22 0	4014586857930	MSh 843-1 300 Hz 72 V	09	-
7 823 19 00 26 0	4014586857947	MSh 843-1 300 Hz 200 V	09	114
7 823 20 00 12 0	4014586857978	MSho 849-1 Z 200 Hz 72 V	09	-
7 823 20 00 17 0	4014586857985	MSho 849-1z 200 Hz 135 V	09	-
7 823 20 00 20 0	4014586857992	MSho 849-1Z 200 Hz 265 V	09	-
7 823 20 00 22 0	4014586858005	MSho 849-1 Z 300 Hz 72 V	09	-
7 823 20 00 26 0	4014586858012	MSho 849-1Z 300 Hz 200 V	09	114
7 823 22 00 26 0	4014586860015	MSho 852-1 300 Hz 200 V	09	-
7 824 37 00 22 0	4014586858081	MShyo 869-1a 300 Hz 72 V	09	-
7 824 37 00 26 0	4014586857633	MShyo 869-1a 300 Hz 200 V	09	114
7 824 38 00 26 0	4014586858111	MShyo 869-1d 300 Hz 200 V	09	115
7 824 39 00 12 0	4014586858128	MShyo 852-3a 200 Hz 72 V	09	-
7 824 39 00 17 0	4014586871714	MShyo 852-3a 200 Hz 135 V	09	-
7 824 39 00 20 0	4014586857640	MShyo 852-3a 200 Hz 265 V	09	-
7 824 39 00 22 0	4014586858135	MShyo 852-3a 300 Hz 72 V	09	-
7 824 39 00 26 0	4014586857657	MShyo 852-3a 300 Hz 200 V	09	115
7 824 40 00 26 0	4014586858180	MShyo 852-4a 300 Hz 200 V	09	115
7 824 41 00 20 0	4014586858210	MSho 852-1 200 Hz 265 V	09	-
7 824 42 00 22 0	4014586858234	MSho 852-1 300 Hz 72 V	09	-
7 824 42 00 26 0	4014586858241	MSho 852-1 300 Hz 200 V	09	115
7 901 05 00 40 3	4014586857879	GRIT GXE	13	242
7 901 23 00 44 3	4014586871936	GRIT GXC	13	242
7 901 24 00 44 3	4014586873145	GRIT GXW	13	242
7 901 31 00 40 3	4014586872018	GRIT GX 75	13	241
7 901 32 00 40 3	4014586872063	GRIT GX 75 2H	13	241
7 902 01 00 40 3	4014586858913	GRIT GI 75	13	244
7 902 02 00 40 3	4014586858944	GRIT GI 75 2H	13	244
7 902 03 00 23 2	4014586858951	GRIT GI 100 EF	13	244
7 902 03 00 40 3	4014586858975	GRIT GI 100	13	244
7 902 04 00 40 3	4014586858999	GRIT GI 150	13	245
7 902 05 00 40 3	4014586859019	GRIT GI 150 2H	13	245
7 902 07 00 40 3	4014586859057	GRIT GIE	13	246
7 902 12 00 44 3	4014586867656	GRIT GIC	13	246

Part number	EAN	Description	PC	Page
7 902 13 00 40 3	4014586872599	GRIT GIMS 75	13	246
7 902 14 00 40 3	4014586872643	GRIT GIMS 150	13	247
7 902 16 00 40 3	4014586878614	GIMS 75 2H	13	247
7 902 17 00 40 3	4014586878621	GIMS 150 2H	13	247
7 902 18 00 40 3	4014586878645	GIMS 75-6	13	247
7 902 19 00 40 3	4014586878683	GIMS 150-6	13	247
7 902 29 50 44 3	4014586878126	GRIT GIS 75	13	245
7 902 30 50 44 3	4014586878225	GRIT GIS 150	13	245
7 902 35 00 40 3	4014586880921	GRIT GILSGIB	13	248
7 902 48 00 40 3	4014586880945	GRIT GIL	13	248
7 902 51 00 40 3	4014586880976	GRIT GILS	13	248
7 903 21 00 23 2	4014586884516	GRIT GHB 15-50	01	239
7 903 22 00 23 2	4014586884547	GRIT GHB 15-50 Inox	01	239
9 03 16 223 00 8	4014586847924	MBS 32 F	01	77
9 03 18 223 00 0	4014586878034	MBS 16 X	01	76
9 03 19 223 00 0	4014586878041	MBS 25 F	01	77
9 03 20 223 00 0	4014586878515	IBS 16	01	76
9 08 01 012 00 8	4014586835075	Balancer up to 1,5 kg	01	258
9 08 01 023 00 1	4014586835099	Balancer up to 2,5 kg	01	258
9 08 01 024 00 9	4014586835105	Balancer up to 3 kg	01	258
9 08 01 025 00 3	4014586835136	Balancer up to 5 kg	01	259
9 08 01 026 00 6	4014586835143	Balancer up to 6,5 kg	01	259
9 08 01 027 00 0	4014586835150	Balancer up to 9 kg	01	259
9 08 01 028 00 8	4014586835167	Balancer up to 11 kg	01	259
9 08 01 029 00 2	4014586835174	Balancer up to 14 kg	01	259
9 08 01 030 00 4	4014586835181	Balancer up to 17 kg	01	260
9 08 01 037 00 9	4014586835228	Balancer up to 2,5 kg	01	258
9 08 01 052 00 4	4014586854052	Balancer up to 1.5 kg	01	258
9 08 01 055 00 0	4014586880693	Balancer up to 25 kg	01	260
9 08 01 056 00 0	4014586880709	Balancer up to 32 kg	01	260
9 08 01 057 00 0	4014586880716	Balancer up to 45 kg	01	260
9 08 01 058 00 0	4014586880723	Balancer up to 60 kg	01	260
9 20 27 060 00 0	4014586878362	Dustex 25 L set	01	177
9 20 27 223 00 0	4014586877365	Dustex 25 L	01	177
9 20 28 060 00 0	4014586878423	Dustex 35 L set	01	177
9 20 28 223 00 0	4014586877389	Dustex 35 L	01	178
9 20 29 060 00 0	4014586882956	Dustex 35 LX	01	178
9 20 30 060 00 0	4014586882994	Dustex 35 LX AC	01	178
9 20 31 060 00 0	4014586883052	Dustex 35 MX	01	179
9 20 32 060 00 0	4014586883069	Dustex 35 MX AC	01	179
9 28 19 340 12 9	4014586845517	MO82-7,5 KSR 50400 200 Hz 72 V	10	-
9 28 19 340 17 6	4014586845524	MO82-7,5 KSR 50400 200 Hz 135 V	10	-
9 28 19 340 20 8	4014586845470	MO82-7,5 KSR 50400 200 Hz 265 V	10	-
9 28 19 340 22 3	4014586845531	MO83-7,5 KSR 50400 300 Hz 72 V	10	-
9 28 19 340 26 4	4014586845494	MO83-7,5 KSR 50400 300 Hz 200 V	10	118
9 28 19 361 26 1	4014586837925	MO83-7,5 KSR 60220 300 Hz 200 V	10	-
9 28 21 340 12 5	4014586845548	MO82-11 KSR 50400 200 Hz 72 V	10	-
9 28 21 340 17 2	4014586845555	MO82-11 KSR 50400 200 Hz 135 V	10	-
9 28 21 340 20 4	4014586845562	MO82-11 KSR 50400 200 Hz 265 V	10	-
9 28 21 340 22 9	4014586845586	MO83-11 KSR 50400 300 Hz 72 V	10	-
9 28 21 340 26 0	4014586845593	MO83-11 KSR 50400 300 Hz 200 V	10	118
9 28 22 328 26 9	4014586838045	MO83-15 KSR 50415 300 Hz 200 V	10	-
9 28 22 340 12 9	4014586845616	MO82-15 KSR 50400 200 Hz 72 V	10	-
9 28 22 340 17 6	4014586845623	MO82-15 KSR 50400 200 Hz 135 V	10	-
9 28 22 340 20 8	4014586845630	MO82-15 KSR 50400 200 Hz 265 V	10	-
9 28 22 340 22 3	4014586845654	MO83-15 KSR 50400 300 Hz 72 V	10	-
9 28 22 340 26 4	4014586845661	MO83-15 KSR 50400 300 Hz 200 V	10	118
9 28 22 345 17 0	4014586867571	MO82-15 KSR 50415 200 Hz 135 V	10	-
9 28 22 373 26 0	4014586865195	MO83-15 KSR 60400 300 Hz 200 V	10	-
9 28 24 340 12 7	4014586845678	MO82-30 KSR 50400 200 Hz 72 V	10	-
9 28 24 340 17 4	4014586845685	MO82-30 KSR 50400 200 Hz 135 V	10	-
9 28 24 340 20 6	4014586845692	MO82-30 KSR 50400 200 Hz 265 V	10	-
9 28 24 340 22 1	4014586845708	MO83-30 KSR 50400 300 Hz 72 V	10	-
9 28 24 340 26 2	4014586845715	MO83-30 KSR 50400 300 Hz 200 V	10	118
9 28 26 340 12 3	4014586850344	MO82-45 KSR 50400 200 Hz 72 V	10	-
9 28 26 340 17 0	4014586845722	MO82-45 KSR 50400 200 Hz 135 V	10	-
9 28 26 340 20 2	4014586845739	MO82-45 KSR 50400 200 Hz 265 V	10	-
9 28 26 340 22 7	4014586850351	MO83-45 KSR 50400 300 Hz 72 V	10	-
9 28 26 340 26 8	4014586845746	MO83-45 KSR 50400 300 Hz 200 V	10	119
9 28 28 340 12 1	4014586845753	MO82-20 KSR 50400 200 Hz 72 V	10	-
9 28 28 340 17 8	4014586845760	MO82-20 KSR 50400 200 Hz 135 V	10	-
9 28 28 340 20 0	4014586845777	MO82-20 KSR 50400 200 Hz 265 V	10	-
9 28 28 340 22 5	4014586845784	MO83-20 KSR 50400 300 Hz 72 V	10	-
9 28 28 340 26 6	4014586845791	MO83-20 KSR 50400 300 Hz 200 V	10	119
9 28 29 340 12 2	4014586845807	MO82-25 KSR 50400 200 Hz 72 V	10	-
9 28 29 340 17 9	4014586845821	MO82-25 KSR 50400 200 Hz 135 V	10	-



Part number	EAN	Description	PC	Page
9 28 29 340 20 1	4014586845838	MO82-25KSR 50400 200 Hz 265 V	10	–
9 28 29 340 22 6	4014586845845	MO83-25 KSR 50400 300 Hz 72 V	10	–
9 28 29 340 26 7	4014586845852	MO83-25KSR 50400 300 Hz 200 V	10	119
9 28 29 361 26 4	4014586838427	Frequency converter	10	–
9 90 01 001 00 1	4014586871974	GRIT GXR	13	242
9 90 01 002 00 0	4014586858340	GRIT GIXS	13	249
9 90 01 003 00 0	4014586859064	GRIT GIB	13	248
9 90 01 004 00 0	4014586859071	GRIT GIBE	13	248
9 90 01 007 00 1	4014586878263	GRIT GIR	13	249
9 90 01 009 00 0	4014586859125	GRIT GIXBE	13	249

Part number	EAN	Description	PC	Page
3 01 09 011 00 7	4014586008844	Die	02	-
3 01 09 106 00 9	4014586009230	Die	02	-
3 01 09 128 01 8	4014586198071	Adaptor ass.	04	-
3 01 09 141 00 3	4014586224060	Die	02	134
3 01 09 141 02 0	4014586318134	Die (2 ea)	02	134
3 01 09 141 03 0	4014586318141	Die (5 ea)	02	134
3 01 09 154 00 7	4014586246598	Die holder	02	134
3 01 09 169 00 9	4014586265056	Die	02	134
3 01 09 169 03 0	4014586275024	Die/punch set	02	135
3 01 09 169 04 0	4014586318158	Die (2 ea)	02	134
3 01 09 170 00 1	4014586265063	Die	02	135
3 01 09 170 03 0	4014586275031	Die/punch set	02	134
3 01 09 170 04 0	4014586318165	Die (2 ea)	02	135
3 01 09 189 01 0	4014586272733	Intermediate ring	04	-
3 01 09 203 00 0	4014586351230	Adaptor key	02	-
3 02 16 130 00 4	4014586010427	Bolt	02	-
3 02 17 332 00 9	4014586243672	Centring pin, short	02	168
3 02 17 333 00 3	4014586243689	Centring pin, long	02	157
3 02 17 337 00 2	4014586245225	Centring pin, thin	02	169
3 02 17 338 00 0	4014586251271	Centring pin, thin, short	02	169
3 02 17 355 00 0	4014586284552	Centering pin	02	168
3 02 17 358 00 0	4014586341941	Centering pins	02	157
3 02 17 359 00 0	4014586341958	Centering pins	02	157
3 02 29 159 00 1	4014586012001	Hand guard	02	-
3 02 29 216 00 5	4014586012155	Safety guard	02	197
3 02 29 347 01 0	4014586354330	Metal skewers	02	57
3 02 31 003 00 3	4014586012414	Chain clamps	02	-
3 02 31 008 00 0	4014586012421	Chain clamps	02	-
3 02 31 013 02 7	4014586012483	Chain ass.	08	-
3 02 31 029 00 2	4014586224183	Roller chain	08	-
3 02 32 044 01 0	4014586232591	Swivel hook assy	02	261
3 02 32 046 00 8	4014586259604	Suspension Device	06	72
3 02 35 007 00 5	4014586012919	Securing pin	02	-
3 02 35 009 00 7	4014586012926	Securing pin	02	-
3 02 40 239 01 4	4014586232584	Locking device	02	261
3 02 40 247 00 2	4014586253510	Bottle holder	02	-
3 02 40 308 01 0	4014586353111	Vacuum ring set	02	57
3 05 01 242 00 1	4014586014272	Sleeve	02	-
3 05 01 345 02 0	4014586273006	Coding-sleeve ass.	06	36
3 05 01 346 01 0	4014586273013	Colour-coded ring set, grey	06	36
3 05 01 347 01 0	4014586273020	Colour-coded ring set, green	06	36
3 05 01 348 01 0	4014586273037	Colour-coded ring set, blue	06	36
3 05 01 349 01 0	4014586273044	Colour-coded ring set, red	06	36
3 05 01 350 01 0	4014586273051	Colour-coded ring set, orange	06	36
3 05 01 351 01 0	4014586274898	Colour-coded ring set, yellow	06	36
3 05 01 352 01 0	4014586317106	Colour-coded ring set, black	06	36
3 05 05 066 01 5	4014586235271	Sleeve ass.	02	-
3 05 05 068 01 7	4014586248769	Sleeve ass.	02	-
3 05 05 069 01 1	4014586258928	Sleeve ass.	02	-
3 05 17 025 00 2	4014586016900	Hose sleeve	02	-
3 05 17 028 00 7	4014586016931	Hose nozzle Ø 32 mm	02	140
3 05 17 029 00 1	4014586016948	Hose nozzle Ø 27 mm	02	140
3 05 20 050 02 1	4014586017174	Adaptor assy	02	-
3 06 05 109 00 6	4014586224503	adapter	02	-
3 06 05 110 00 8	4014586224510	adapter	02	-
3 06 05 114 01 1	4014586266848	Adapter FSC	04	229
3 06 06 009 00 2	4014586018409	Sleeve gasket	02	-
3 07 06 268 00 6	4014586022260	Spiral cordset	02	-
3 07 07 157 03 5	4014586321035	Spiral cordset	06	261
3 07 28 123 00 7	4014586030104	Plug 3P+SK	02	120
3 07 28 124 00 5	4014586030111	Plug 3P+SK	02	120
3 07 28 130 00 0	4014586030173	Build-on coupler	02	120
3 07 28 131 00 9	4014586030180	Build-on coupler	02	120
3 07 28 137 00 5	4014586030241	Wall socket 3P+SK	02	121
3 07 28 138 00 3	4014586030258	Wall socket 3P+SK	02	121
3 07 28 141 00 8	4014586030289	Attachment socket 3P+SK EZ28-141	02	121
3 07 49 065 00 9	4014586031927	Device combination	10	121
3 07 49 067 00 6	4014586031941	Device combination	10	121
3 07 49 068 00 4	4014586031965	Device combination	10	121
3 07 49 069 00 8	4014586031972	Device combination	10	121
3 07 49 070 00 0	4014586031989	Device combination	10	121
3 07 49 073 00 6	4014586032016	Device combination	10	121
3 07 49 086 00 0	4014586032108	Switchgear combinat.	10	-
3 07 49 099 00 5	4014586032221	Device combination	10	-
3 07 49 100 00 6	4014586326375	Device combination	10	-
3 07 51 144 00 3	4014586032993	Motor safety switch 3P	02	-



Part number	EAN	Description	PC	Page
3 07 56 004 00 6	4014586033266	Motor protection plug	02	-
3 07 56 017 00 6	4014586033358	Motor protection plug	02	-
3 07 56 084 00 8	4014586264189	Motor safety plug 1.0-1.6 A	02	-
3 07 56 085 00 2	4014586264196	Motor safety plug 1.6-2.5 A	02	120
3 07 56 086 00 5	4014586264202	Motor safety plug 2.5-4.0 A	02	-
3 07 56 087 00 9	4014586264219	Motor safety plug 4.0-6.3 A	02	120
3 07 56 088 00 7	4014586264226	Motor safety plug 6.3-9.0 A	02	120
3 07 56 089 00 1	4014586264233	Motor protection plug 9.0-12.5 A	02	120
3 07 56 090 00 3	4014586264240	Motor safety plug 12.5-16.0 A	02	120
3 07 56 093 00 9	4014586264271	Motor safety plug 1.6-2.5 A	02	120
3 07 56 094 00 7	4014586264288	Motor safety plug 2.5-4.0 A	02	-
3 07 56 095 00 1	4014586264295	Motor safety plug 4.0-6.3 A	02	120
3 07 56 096 00 4	4014586264301	Motor safety plug 6.3-9.0 A	02	120
3 07 56 097 00 8	4014586264318	Motor protection plug 9.0-12.5 A	02	120
3 07 56 098 00 6	4014586264325	Motor safety plug 12.5-16.0 A	02	120
3 12 07 103 01 3	4014586044910	Eccentric head assy	02	194
3 12 07 131 02 9	4014586045092	Eccentric head assy	02	193
3 13 08 072 00 0	4014586048123	Plunger blade and fixed blade	02	129
3 13 08 092 00 8	4014586210803	Fixed blade	02	129
3 13 08 096 00 7	4014586210810	Plunger blade, 4.2 mm	02	129
3 13 08 098 00 9	4014586213477	Plunger blade, Cr	02	129
3 13 08 110 00 3	4014586229812	Blade	02	126
3 13 08 111 00 2	4014586229829	Blade pin	02	126
3 13 08 113 00 9	4014586229836	Threading dies (set)	02	126
3 13 08 123 00 8	4014586229867	Cutter blades, up to 2.0 mm	02	126
3 13 08 136 00 2	4014586229805	Blade	02	129
3 13 08 143 00 6	4014586230092	Blade	02	129
3 13 08 146 00 1	4014586232911	Blade	02	129
3 13 08 147 00 5	4014586232928	Blade	02	129
3 13 08 150 00 9	4014586239583	Cutter blade, straight, 1 - 1.6 mm	02	126
3 13 08 151 00 8	4014586239590	Curve blade, 1 mm	02	126
3 13 08 152 00 1	4014586239606	Blade Cr	02	126
3 13 08 153 01 4	4014586239613	Threading dies UBS 1.6	02	126
3 13 08 153 02 0	4014586239620	Threading dies UBS 1.6c	02	126
3 13 09 036 00 4	4014586048512	Punch	02	-
3 13 09 039 00 0	4014586048543	Supporting pin	02	-
3 13 09 040 00 2	4014586048550	Die	02	134
3 13 09 093 00 3	4014586199931	Die	02	135
3 13 09 094 00 1	4014586199948	Die	02	135
3 13 09 097 00 2	4014586199955	Punch	02	135
3 13 09 098 00 0	4014586199962	Punch	02	135
3 13 09 100 01 4	4014586199986	Spacer sleeve	02	-
3 13 09 107 00 0	4014586210742	Die, 5 mm	02	135
3 13 09 108 00 8	4014586210759	Die, 3 mm	02	135
3 13 09 109 00 2	4014586210766	P die, 5 mm	02	135
3 13 09 110 00 4	4014586210773	Punch	02	135
3 13 09 110 01 3	4014586259161	Punch and die set, 5 mm, steel	02	135
3 13 09 114 00 8	4014586210780	Chips bag	02	135
3 13 09 119 00 1	4014586209852	Punch	02	-
3 13 09 121 00 2	4014586209876	Wearing plate	02	134
3 13 09 122 00 5	4014586209883	Die	02	134
3 13 09 122 02 0	4014586318172	Die (2 ea)	02	134
3 13 09 122 03 0	4014586318189	Die (5 ea)	02	134
3 13 09 134 00 6	4014586259185	Punch, 3 mm, Cr	02	135
3 13 09 134 01 5	4014586259192	Punches and dies in a set	02	135
3 13 22 190 01 4	4014586053363	Filter bag, 5-pack	02	-
3 13 22 238 00 0	4014586053806	adapter	02	-
3 13 22 599 01 5	4014586227016	Filter bag, 5-pack	02	-
3 13 22 600 00 1	4014586227009	Filter element	02	-
3 13 22 601 01 9	4014586227030	Flat-fold filter	02	-
3 13 22 602 01 2	4014586227047	Paper filter 5/pack	02	-
3 13 22 603 01 6	4014586227054	Connecting sleeve	02	-
3 13 22 757 01 6	4014586261386	Filter paper BIA, 5-pack	02	181
3 13 22 765 00 9	4014586261454	Filter cartridge	02	181
3 13 22 767 01 5	4014586261478	Suction hose assy	02	181
3 13 22 771 00 9	4014586261492	Connecting piece	02	101
3 13 22 772 00 2	4014586261508	Stepped collar	02	181
3 13 22 781 01 7	4014586262451	Paper filter, 5-pack Dustex 25	02	181
3 13 22 810 01 0	4014586307718	Paper filter, 5-pack Dustex 40	02	181
3 13 22 811 01 0	4014586307725	Dust bag BIA 5ea Dust40	02	181
3 13 27 064 00 8	4014586199580	Protective steel jaws	02	144
3 13 27 068 00 7	4014586199627	Retaining screw	02	-
3 13 29 100 01 6	4014586218571	Clamping piece, 2-pack	02	-
3 13 29 106 00 8	4014586218595	Sawing support	02	-
3 13 29 107 00 2	4014586218588	Sawing support for pipes	02	-
3 13 33 090 00 0	4014586368375	Drill chuck	02	-

Part number	EAN	Description	PC	Page
3 13 33 118 00 0	4014586368382	Drill chuck	02	-
3 13 35 017 01 1	4014586262390	Rotating roller	02	190
3 13 45 012 01 0	4014586366197	Flat-fold filter	02	180
3 13 45 059 01 0	4014586366210	Flat-fold filter	02	180
3 13 45 060 01 0	4014586366227	Flat-fold filter	02	180
3 13 45 061 01 0	4014586366234	Fleece filter bag	02	181
3 13 45 062 01 0	4014586366241	Fleece filter bag	02	181
3 13 45 063 01 0	4014586366258	Disposal bag	02	181
3 13 45 064 01 0	4014586366265	Permanent filter	02	181
3 13 45 065 01 0	4014586366272	Suction hose	02	180
3 13 45 066 01 0	4014586366289	Suction hose	02	180
3 13 45 067 01 0	4014586366296	Extension hose	02	180
3 13 45 068 01 0	4014586366302	Extension hose	02	180
3 13 45 069 01 0	4014586366319	Repair set	02	180
3 13 45 070 01 0	4014586366326	Elbow	02	180
3 13 45 071 01 0	4014586366333	Suction tube	02	180
3 13 45 071 02 0	4014586368528	Accessory set	02	181
3 13 45 072 01 0	4014586366340	Floor nozzle	02	180
3 13 45 073 01 0	4014586366357	Combination nozzle	02	180
3 13 45 074 01 0	4014586366364	Crevice nozzle	02	180
3 13 45 075 01 0	4014586366371	Upholstery nozzle	02	180
3 13 45 076 01 0	4014586366388	Suction brush,	02	180
3 13 45 077 01 0	4014586366395	Intake brush	02	180
3 13 45 079 01 0	4014586366418	Stepped collar	02	180
3 13 45 119 01 0	4014586370187	Cable holder	02	180
3 13 45 120 01 0	4014586386119	Suction hose	02	180
3 13 45 121 01 0	4014586392059	Suction hose	02	180
3 13 45 123 01 0	4014586378596	Tool collar with suction force regulation	02	180
3 13 45 130 01 0	4014586379449	HEPA filter bag	02	181
3 13 45 133 02 0	4014586386126	Accessory set	02	181
3 13 45 137 01 0	4014586386133	Aluminium combi nozzle	02	180
3 13 45 250 01 0	4014586392066	Tool collar with suction force regulation	02	180
3 13 45 251 01 0	4014586392691	Premium fleece filter bag	02	181
3 13 45 263 01 0	4014586394459	Elbow	02	180
3 14 14 024 01 0	4014586060187	Suction hose assy	02	-
3 14 14 054 00 8	4014586208916	Tube	02	170
3 14 14 055 00 2	4014586227290	Hose, ass.	08	-
3 14 14 055 01 1	4014586252421	Hose ass.	08	-
3 14 14 059 01 0	4014586227108	Suction hose	02	-
3 14 14 070 01 0	4014586356433	Flex-jointed hose	02	170
3 14 15 020 00 8	4014586060392	Anti vibration mounts	02	121
3 14 15 081 00 1	4014586207865	Anti vibration mounts	02	121
3 14 20 120 01 0	4014586376677	Protection for AccuTec ASM	02	36
3 14 26 030 00 5	4014586061641	Velcro fastener	02	193
3 14 26 067 01 6	4014586236797	Anti-slip mat	02	57
3 14 28 102 01 6	4014586195957	Anti-chipping protection, 5-pack	02	140
3 14 28 156 00 0	4014586272047	Plastic cover	02	-
3 14 28 166 00 0	4014586305134	Protective layer	02	36
3 18 01 010 01 2	4014586069210	Support	02	-
3 18 10 070 01 6	4014586069678	Protective cover assy	02	-
3 18 10 071 01 5	4014586069739	Protective cover assy	02	-
3 18 10 171 00 5	4014586070124	Protective suction hood assy	02	-
3 18 10 209 02 1	4014586070452	Protective suction hood assy	02	-
3 18 10 240 01 4	4014586228945	Suction hood	06	193
3 18 10 247 01 9	4014586241906	Chipping protector	02	-
3 18 10 263 00 0	4014586325484	Contact guard	04	214
3 18 10 264 01 0	4014586307343	Protect.suction hood	02	193
3 18 10 277 00 0	4014586326238	Wheel guard	02	-
3 18 10 288 01 0	4014586369211	Wheel guard	06	-
3 18 10 299 00 0	4014586394107	Wheel guard	06	97
3 18 10 300 00 0	4014586394114	Wheel guard	06	191
3 18 10 301 00 0	4014586394121	Wheel guard	06	97
3 21 09 061 01 6	4014586074542	Clamping chuck assy	02	-
3 21 19 032 00 2	4014586074689	Side handle	02	-
3 21 19 047 00 4	4014586074801	Handle	02	-
3 21 19 058 00 1	4014586074849	Handle	02	-
3 21 19 078 02 4	4014586074962	Handle	02	-
3 21 19 103 01 7	4014586215587	Handle	02	-
3 21 19 107 01 6	4014586222882	Handle	02	-
3 21 19 113 01 6	4014586235264	Handle	02	-
3 21 19 116 01 1	4014586267616	Bail handle	04	229
3 21 19 117 01 5	4014586268125	anti-vibration handle	02	101
3 21 19 118 01 3	4014586268132	anti-vibration handle	02	120
3 21 19 119 01 7	4014586268149	anti-vibration handle	02	-
3 21 19 124 01 0	4014586334783	anti-vibration handle	02	120
3 21 19 127 03 0	4014586351971	Starter awl	02	57



Part number	EAN	Description	PC	Page
3 21 20 025 00 6	4014586075105	Extension for tube handle	02	-
3 21 23 002 00 6	4014586270906	Adjustment spanner - torque	02	35
3 21 25 043 00 4	4014586075341	Bow	02	-
3 21 25 050 00 7	4014586075396	Suspension Device	02	56
3 21 26 060 00 0	4014586305455	Tool holder for ASM/ASSm	02	36
3 21 27 003 03 5	4014586075594	Depth stop	02	-
3 21 27 005 00 6	4014586075600	Depth stop	02	56
3 21 27 005 02 1	4014586075617	Depth stop	02	79
3 21 27 021 03 6	4014586075761	Stop sleeve	02	-
3 21 27 021 06 1	4014586075792	Stop sleeve	02	-
3 21 27 021 10 4	4014586250717	Stop sleeve	02	-
3 21 27 021 11 3	4014586250724	Stop sleeve	02	-
3 21 27 021 12 9	4014586258669	Stop sleeve	02	-
3 21 27 021 13 5	4014586262406	Stop sleeve	02	-
3 21 27 021 14 1	4014586270531	Depth stop assy	02	-
3 21 27 021 15 0	4014586295343	Stop sleeve	02	-
3 21 27 043 00 0	4014586075983	Stop sleeve	02	-
3 21 27 057 00 8	4014586208831	Stop sleeve	02	-
3 21 27 059 00 0	4014586215594	Depth stop	02	-
3 21 27 065 01 9	4014586266077	Depth stop assy	02	-
3 21 27 069 01 0	4014586351674	Depth stop	04	214
3 21 32 020 12 9	4014586076706	Cutting paste	04	126
3 21 32 022 00 7	4014586076713	Pump	02	170
3 21 32 031 00 0	4014586289922	High-performance cutting oil spray	02	151
3 21 33 012 01 8	4014586076775	Feed screw	02	-
3 21 73 003 00 3	4014586265568	Work gloves, small, pair	04	101
3 21 73 004 00 1	4014586265575	Work gloves, mid-size, pair	04	101
3 21 73 005 00 5	4014586265582	Work gloves, large, pair	04	101
3 21 74 003 00 0	4014586077215	Protective cage	02	-
3 21 74 006 00 5	4014586199641	Ratchet buckle w/ strap	02	-
3 21 74 007 00 9	4014586214740	Ratchet buckle w/ strap	02	-
3 21 74 008 00 7	4014586241890	Strap, safety	02	-
3 21 74 011 00 0	4014586319056	Protective cover	04	232
3 21 74 013 01 0	4014586335773	Swarf cup	02	151
3 21 74 013 10 0	4014586353128	Protective cover	02	57
3 21 74 013 20 0	4014586353135	Protective cover	02	57
3 21 74 014 01 0	4014586376691	AccuTEC ASW protective cover	02	36
3 21 74 015 01 0	4014586376707	Battery cover	02	35
3 21 74 016 01 0	4014586376714	Battery cover	02	35
3 24 22 326 01 0	4014586369846	Adapter plate for magnetic core drills	02	78
3 24 33 027 01 7	4014586210469	Plate ass.	08	-
3 26 07 062 04 0	4014586299198	Set with depth stop	04	-
3 26 23 009 00 6	4014586200699	Reducing rings	02	78
3 26 23 010 00 8	4014586200422	Reducing rings	02	78
3 26 23 012 01 9	4014586248776	Reducing rings	02	78
3 26 23 013 00 4	4014586248783	Reducing rings	02	78
3 26 23 014 01 0	4014586369853	Reducing rings	02	78
3 27 14 037 01 3	4014586091938	Clip assy	02	-
3 27 14 062 02 3	4014586092133	Hands-free support	02	144
3 27 14 071 01 3	4014586092201	Clamping jaw assy	02	-
3 27 14 084 00 8	4014586195872	Shoe plate	02	140
3 27 14 088 00 7	4014586200750	Chipping protector	02	140
3 27 15 051 03 8	4014586092812	Extension chain	08	-
3 39 01 021 01 1	4014586110165	Tool case	02	97
3 39 01 022 01 4	4014586110202	Tool case	02	101
3 39 01 031 00 1	4014586110233	Tool case	08	-
3 39 01 032 01 3	4014586110257	Tool case	02	73
3 39 01 045 01 8	4014586110387	Tool case	02	-
3 39 01 073 01 3	4014586200002	Tool case	02	-
3 39 01 096 01 6	4014586242095	Tool case	02	-
3 39 01 100 02 0	4014586287980	Tool case assy for core drill	02	-
3 39 01 112 02 0	4014586317939	Tool case	04	-
3 39 01 114 00 7	4014586266732	Metal case	08	-
3 39 01 118 01 0	4014586285474	Tool case	02	107
3 39 01 118 20 0	4014586302775	tool case - FSC	04	-
3 39 01 118 48 0	4014586317618	Tool case	02	72
3 39 01 118 93 0	4014586334974	Carrying case unfilled	04	-
3 39 01 119 00 0	4014586285498	Plastic box	02	107
3 39 01 121 02 0	4014586317946	Tool box ass.	02	-
3 39 01 122 01 0	4014586308791	Tool case	02	197
3 39 01 122 06 0	4014586321165	Tool case	02	-
3 39 01 122 12 0	4014586336732	Tool case	02	-
3 39 01 126 02 0	4014586332406	Tool box ass.	02	-
3 39 01 127 02 0	4014586325859	Tool box ass.	02	-
3 39 01 128 06 0	4014586331355	Tool case	02	-
3 39 01 128 58 0	4014586367897	Tool case	02	-

Part number	EAN	Description	PC	Page
3 39 01 128 82 0	4014586349435	Tool case	02	-
3 39 01 130 05 0	4014586333250	Tool case	02	-
3 39 01 131 03 0	4014586348957	Tool case	02	-
3 39 01 131 08 0	4014586348650	Tool case	02	56
3 39 01 131 92 0	4014586376325	Tool case	02	-
3 39 01 131 94 0	4014586379630	Tool case	02	56
3 39 01 131 98 0	4014586376332	Carrying case unfilled	04	220
3 39 01 132 03 0	4014586340449	Tool box ass.	02	-
3 39 01 133 05 0	4014586351247	Tool case	02	-
3 39 01 134 04 0	4014586340456	Tool box ass.	02	-
3 39 01 140 99 0	4014586356310	Tool case	02	-
3 39 01 141 01 0	4014586365244	Plastic tool cases	02	12
3 39 01 142 14 0	4014586356921	Tool box ass.	02	-
3 39 01 143 06 0	4014586356938	Tool box ass.	02	-
3 39 01 144 01 0	4014586356945	Carrying case unfilled	02	220
3 39 01 146 00 0	4014586380025	Systainer Sys 1	02	220
3 39 01 147 00 0	4014586380032	Systainer Sys 2	02	46
3 39 01 155 02 0	4014586379647	Tool box ass.	02	-
3 39 01 160 01 0	4014586394091	Tool case	02	12
3 39 04 491 00 0	4014586382999	Systainer insert for FMM 350 Q / QSL	06	220
3 39 04 542 00 0	4014586380056	Systainer insert for AFSC 18 Q	06	46
3 39 98 140 06 2	4014586621333	Tool case	02	-
3 39 98 140 08 2	4014586662039	Tool case	02	-
3 52 22 927 05 0	4014586392455	Adapter for FEIN oscillator (up to 2004)	04	220
3 52 22 936 04 0	4014586366067	Counter display E-CUT	04	-
3 52 22 942 04 0	4014586392462	Best of Sanding accessory set	04	216
3 52 22 942 05 0	4014586392479	Best of E-CUT accessory set	04	214
3 52 22 942 06 0	4014586392486	Best of Renovation accessory set	04	216
3 52 22 942 07 0	4014586392677	Best of Tileworking accessory set	04	219
3 52 22 946 01 0	4014586397443	Accessory set for interior construction work with wood	04	222
3 52 22 946 02 0	4014586397450	Accessory set for repairing/replacing windows	04	223
3 52 22 946 03 0	4014586397467	Accessory set for tile restoration/bathroom renovation	04	223
3 52 22 946 04 0	4014586397474	Accessory set for heating/sanitary installation	04	223
3 52 22 952 01 0	4014586392516	HSS saw blade With depth stop	04	214
3 52 22 952 02 0	4014586392523	Saw and file set FMM SLP	04	219
3 52 22 952 03 0	4014586392530	E-CUT-Combo SLP	04	214
3 52 22 952 04 0	4014586392547	Adapter FSC	04	229
3 52 22 952 05 0	4014586392554	Adapter FSC Qi	04	229
3 90 00 000 00 1	4014586280028	Graphite 80 x 430 mm (5-pack)	06	251
3 90 00 000 00 2	4014586280035	Flexible hose Ø 90, 1.0 m	06	253
3 90 00 000 00 3	4014586280042	Clamping band Ø 90	06	253
3 90 00 000 00 4	4014586280059	Eye protection 75, triple pack	06	252
3 90 00 000 00 7	4014586280080	Eye protection GU75/GR/GXR (3 pieces)	06	252
3 90 00 000 05 6	4014586283517	Graphite 155 x 430 mm, 3-pack	06	254
3 90 00 000 18 4	4014586283494	Eye protection 150, GU150 3-pack	06	254
3 90 00 000 38 5	4014586353722	Assy, coolant bottle w/magnet	06	252
3 90 00 000 49 6	4014586280325	Brassglide support	06	253
3 90 00 000 49 7	4014586280332	Nylon glide support	06	253
3 90 00 000 69 8	4014586354361	Plug	06	-
3 90 00 000 70 1	4014586354378	Bolt	06	-
3 90 00 000 70 7	4014586354385	Screw	06	-
3 90 00 000 78 8	4014586354392	Parallel stop	06	-
3 90 00 000 80 7	4014586354408	Bush	06	-
3 90 00 000 82 1	4014586354675	Housing	06	-
3 90 00 000 97 6	4014586286303	Filter t. GIBE, 523 x 241, forpakket	06	254
3 90 00 001 00 2	4014586353739	Brake wheel	06	-
3 90 00 001 10 1	4014586302638	Metal filter for GIXBE, packed	06	254
3 90 00 001 32 0	4014586294407	Chamfering unit old grit classic GZ	13	-
3 90 00 001 38 3	4014586354682	Adjustment unit	06	-
3 90 00 001 38 5	4014586354699	Disc	06	-
3 90 00 001 43 1	4014586295442	Hard metal inserts	13	-
3 90 00 001 43 2	4014586295466	Hard metal inserts	13	-
3 90 00 001 43 3	4014586295459	Hard metal inserts	13	-
3 90 00 001 51 7	4014586297361	angle support for GF75	13	-
3 90 00 003 19 1	4014586375229	Cross slide without bolt	06	-
3 90 00 003 19 3	4014586375236	Cross slide with bolt	06	-
3 90 00 003 25 6	4014586341996	Guide	06	-
3 90 00 004 24 9	4014586356334	Handle	06	-
3 90 00 004 25 1	4014586356341	Shaft	06	-
3 90 00 004 55 4	4014586330686	Drilling template	06	255
3 90 00 004 60 9	4014586356303	Set screw	06	-
3 90 00 004 67 4	4014586373850	Spacer	06	-
3 90 00 004 69 4	4014586350028	Plate	06	-
3 90 00 004 69 5	4014586350035	Plate	06	-
3 90 00 004 72 7	4014586353746	Cover	06	-
3 90 00 004 72 8	4014586355504	Guide	06	-



Part number	EAN	Description	PC	Page
3 90 00 004 73 6	4014586373898	Vice	06	-
3 90 00 004 75 6	4014586369112	adapter	06	-
3 90 00 004 76 0	4014586380933	Graphite pad	06	255
3 90 00 004 78 4	4014586349473	GRIT GISB	06	-
3 90 00 004 81 1	4014586356358	Sheet metal	06	-
3 90 00 004 83 2	4014586364742	Filter	06	-
3 90 00 004 83 3	4014586364759	Filter	06	-
3 90 00 004 83 7	4014586376738	Complete height adjustment for GIMS	06	-
3 90 00 008 10 6	4014586389837	Stainless steel sanding support	02	239
4 02 01 096 00 0	4014586219530	Straight pin	02	73
4 02 01 097 00 4	4014586219547	Straight pin	02	73
4 06 11 009 01 9	4014586126760	Sealing ring set	02	-
4 06 12 153 00 7	4014586219554	Packing ring	02	73
4 11 40 004 00 7	4014586128399	Hose coupling	02	144
4 30 33 087 06 5	4014586225173	Set of clamping screws	04	-
6 01 10 004 01 8	4014586165752	Tool holder Ø 7 mm with external flat	02	-
6 01 10 008 01 7	4014586165790	Tool holder Ø 7 mm with external flat	02	-
6 05 03 306 00 8	4014586262772	Bit, 1/4" hexagon head	02	20
6 05 05 015 00 1	4014586258713	Insert, 1/4" hexagon head, SW 8	02	-
6 05 05 209 00 6	4014586235059	Insert, 1/4" hexagon head	02	-
6 05 10 011 00 9	4014586235141	Tool holder 1/4" external hexagon	02	12
6 05 10 215 00 3	4014586258812	Tool holder 1/4" external hexagon	02	23
6 05 10 219 01 0	4014586367910	Bit holder	02	12
6 19 15 001 00 7	4014586166995	Reducer	02	73
6 19 15 002 00 0	4014586167008	Reducer	02	73
6 22 05 013 00 7	4014586167626	Hexagon socket tools	02	-
6 22 10 007 00 4	4014586167824	Intermediate piece	02	-
6 22 19 002 07 9	4014586168012	Socket for stay bolts	02	-
6 22 19 002 09 1	4014586168036	Socket for stay bolts	02	-
6 22 19 002 10 6	4014586168043	Socket for stay bolts	02	-
6 22 19 002 12 1	4014586168067	Socket for stay bolts	02	-
6 22 19 002 14 3	4014586168074	Socket for stay bolts	02	-
6 27 12 109 03 4	4014586169637	Bit, 1/4" hexagon head, 5-pack	02	20
6 29 01 002 00 4	4014586172071	Jaw spanner SW8	02	-
6 29 01 003 00 8	4014586172088	Jaw spanner SW9	02	-
6 29 01 007 00 7	4014586172125	Jaw spanner SW13	02	-
6 29 01 016 00 2	4014586172217	Jaw spanner SW46	02	-
6 29 03 002 00 9	4014586172255	Jaw spanner SW17	02	56
6 29 03 010 00 6	4014586172309	Single head wrench	08	-
6 29 03 011 00 5	4014586172316	Jaw spanner SW17	02	-
6 29 04 003 00 0	4014586172347	Jaw spanner 19 x 22	02	-
6 29 06 009 00 7	4014586172415	Socket spanner SW 8	02	-
6 29 06 013 00 5	4014586226101	Socket spanner SW46	02	-
6 29 07 004 00 5	4014586172446	Allen key SW6	02	-
6 29 07 006 00 2	4014586172453	Allen key SW8	02	-
6 29 07 010 00 0	4014586172477	Allen key SW4	02	-
6 29 07 011 00 9	4014586172484	Allen key SW5	02	-
6 29 07 013 00 6	4014586172491	Allen key SW3	02	-
6 29 07 015 00 8	4014586172514	Allen key SW2.5	02	-
6 29 07 017 00 5	4014586172521	Allen key SW4.5	02	-
6 29 07 023 00 5	4014586172545	Socket head wrench	02	-
6 29 07 029 00 6	4014586172590	Allen key SW2	02	-
6 29 07 030 00 8	4014586172606	Allen key SW8	02	-
6 29 07 034 00 2	4014586218618	Socket spanner SW4	02	-
6 29 07 036 00 9	4014586253541	Allen key T20	02	-
6 29 07 037 00 3	4014586249728	Allen key	02	-
6 29 08 013 00 3	4014586172675	Sickle spanner	02	-
6 29 10 007 00 7	4014586172705	Bidirectional nut spanner	02	-
6 29 10 022 00 2	4014586172736	Bi-directional nut spanner	02	-
6 29 10 023 00 6	4014586172743	Bidirectional nut spanner	02	-
6 29 10 031 00 8	4014586172811	Bi-directional nut spanner	04	-
6 29 11 004 00 5	4014586172828	Ring spanner SW32	02	-
6 29 11 010 00 0	4014586220772	Ring spanner 17 x 19	08	-
6 29 12 001 00 4	4014586266107	Screwdriver	02	-
6 29 13 004 00 0	4014586172859	Retaining pin	02	-
6 29 13 020 00 4	4014586172927	Retaining pin	02	-
6 29 13 021 00 3	4014586208688	Retaining pin	02	-
6 29 14 001 00 2	4014586172934	Chuck key	02	-
6 29 14 002 00 5	4014586172941	Chuck key	02	-
6 29 14 004 00 7	4014586172958	Chuck key	02	-
6 29 14 005 00 1	4014586172965	Chuck key	02	-
6 29 14 011 00 1	4014586173016	Chuck key	02	-
6 29 14 012 00 4	4014586173023	Chuck key	02	-
6 31 06 016 01 0	4014586271767	Extension 100 mm QI	02	169
6 31 06 017 01 0	4014586335063	Extension QIP 100 mm	02	151
6 31 11 009 01 0	4014586326597	Twist drill D10 HSS QI	02	169

Part number	EAN	Description	PC	Page
6 31 11 010 01 0	4014586326603	Twist drill D10.2 HSS QI	02	169
6 31 11 011 01 0	4014586326610	Twist drill D11 HSS QI	02	169
6 31 11 012 01 0	4014586326627	Twist drill D12 HSS QI	02	169
6 31 11 013 01 0	4014586326634	Twist drill D13 HSS QI	02	169
6 31 11 014 01 0	4014586326641	Twist drill D14 HSS QI	02	169
6 31 11 015 01 0	4014586326658	Twist drill D15 HSS QI	02	169
6 31 11 016 01 0	4014586326665	Twist drill D15.5 HSS QI	02	169
6 31 11 017 01 0	4014586386140	Twist drill set	02	-
6 31 14 038 01 0	4014586331027	Centring drill bit	02	151
6 31 14 038 02 0	4014586332796	Centring drill long pack of 5	02	151
6 31 27 001 01 5	4014586176130	HM Ultra50 core drill Ø 18 M18 x 6 P 1,5	02	163
6 31 27 002 01 8	4014586176147	HM Ultra50 core drill Ø 20 M18 x 6 P 1,5	02	163
6 31 27 003 01 2	4014586176154	HM Ultra50 core drill Ø 22 M18 x 6 P 1,5	02	163
6 31 27 004 01 0	4014586176161	HM Ultra50 core drill Ø 25 M18 x 6 P 1,5	02	163
6 31 27 005 01 4	4014586176178	HM Ultra50 core drill Ø 26 M18 x 6 P 1,5	02	163
6 31 27 006 01 7	4014586176185	HM Ultra50 core drill Ø 28 M18 x 6 P 1,5	02	163
6 31 27 007 01 1	4014586176192	HM Ultra50 core drill Ø 30 M18 x 6 P 1,5	02	163
6 31 27 008 01 9	4014586176208	HM Ultra50 core drill Ø 32 M18 x 6 P 1,5	02	163
6 31 27 009 01 3	4014586176215	HM Ultra50 core drill Ø 34 M18 x 6 P 1,5	02	163
6 31 27 010 01 5	4014586176222	HM Ultra50 core drill Ø 35 M18 x 6 P 1,5	02	163
6 31 27 011 01 4	4014586176239	HM Ultra50 core drill Ø 38 M18 x 6 P 1,5	02	163
6 31 27 012 01 7	4014586176246	HM Ultra50 core drill Ø 40 M18 x 6 P 1,5	02	163
6 31 27 013 01 1	4014586176253	HM Ultra50 core drill Ø 42 M18 x 6 P 1,5	02	163
6 31 27 014 01 9	4014586176260	HM Ultra50 core drill Ø 43 M18 x 6 P 1,5	02	163
6 31 27 015 01 3	4014586176277	HM Ultra50 core drill Ø 45 M18 x 6 P 1,5	02	163
6 31 27 016 01 6	4014586176284	HM Ultra50 core drill Ø 48 M18 x 6 P 1,5	02	163
6 31 27 017 01 0	4014586176291	HM Ultra50 core drill Ø 50 M18 x 6 P 1,5	02	163
6 31 27 018 01 8	4014586176307	HM Ultra50 core drill Ø 52 M18 x 6 P 1,5	02	163
6 31 27 019 01 2	4014586176314	HM Ultra50 core drill Ø 19 M18 x 6 P 1,5	02	163
6 31 27 020 01 4	4014586176321	HM Ultra50 core drill Ø 21 M18 x 6 P 1,5	02	163
6 31 27 021 01 3	4014586176338	HM Ultra50 core drill Ø 23 M18 x 6 P 1,5	02	163
6 31 27 022 01 6	4014586176345	HM Ultra50 core drill Ø 24 M18 x 6 P 1,5	02	163
6 31 27 023 01 0	4014586176352	HM Ultra50 core drill Ø 27 M18 x 6 P 1,5	02	163
6 31 27 024 01 8	4014586176369	HM Ultra50 core drill Ø 29 M18 x 6 P 1,5	02	163
6 31 27 025 01 2	4014586176376	HM Ultra50 core drill Ø 31 M18 x 6 P 1,5	02	163
6 31 27 026 01 5	4014586176383	HM Ultra50 core drill Ø 33 M18 x 6 P 1,5	02	163
6 31 27 027 01 9	4014586176390	HM Ultra50 core drill Ø 36 M18 x 6 P 1,5	02	163
6 31 27 028 01 7	4014586176406	HM Ultra50 core drill Ø 37 M18 x 6 P 1,5	02	163
6 31 27 029 01 1	4014586176413	HM Ultra50 core drill Ø 39 M18 x 6 P 1,5	02	163
6 31 27 030 01 3	4014586176420	HM Ultra50 core drill Ø 41 M18 x 6 P 1,5	02	163
6 31 27 031 01 2	4014586176437	HM Ultra50 core drill Ø 44 M18 x 6 P 1,5	02	163
6 31 27 032 01 5	4014586176444	HM Ultra50 core drill Ø 46 M18 x 6 P 1,5	02	163
6 31 27 033 01 9	4014586176451	HM Ultra50 core drill Ø 47 M18 x 6 P 1,5	02	163
6 31 27 034 01 7	4014586176468	HM Ultra50 core drill Ø 49 M18 x 6 P 1,5	02	163
6 31 27 035 01 1	4014586176475	HM Ultra50 core drill Ø 51 M18 x 6 P 1,5	02	163
6 31 27 036 01 4	4014586192369	HM Ultra50 core drill Ø 53 M18 x 6 P 1,5	02	163
6 31 27 037 01 8	4014586192376	HM Ultra50 core drill Ø 54 M18 x 6 P 1,5	02	163
6 31 27 038 01 6	4014586192383	HM Ultra50 core drill Ø 55 M18 x 6 P 1,5	02	163
6 31 27 039 01 0	4014586192390	HM Ultra50 core drill Ø 56 M18 x 6 P 1,5	02	163
6 31 27 040 01 2	4014586192406	HM Ultra50 core drill Ø 57 M18 x 6 P 1,5	02	163
6 31 27 041 01 1	4014586192413	HM Ultra50 core drill Ø 58 M18 x 6 P 1,5	02	163
6 31 27 042 01 4	4014586200941	HM Ultra50 core drill Ø 12 M18 x 6 P 1,5	02	163
6 31 27 043 01 8	4014586200958	HM Ultra50 core drill Ø 13 M18 x 6 P 1,5	02	163
6 31 27 044 01 6	4014586200965	HM Ultra50 core drill Ø 14 M18 x 6 P 1,5	02	163
6 31 27 045 01 0	4014586200972	HM Ultra50 core drill Ø 15 M18 x 6 P 1,5	02	163
6 31 27 046 01 3	4014586200989	HM Ultra50 core drill Ø 16 M18 x 6 P 1,5	02	163
6 31 27 047 01 7	4014586200996	HM Ultra50 core drill Ø 17 M18 x 6 P 1,5	02	163
6 31 27 049 01 9	4014586223179	HM Ultra50 core drill Ø 59 M18 x 6 P 1,5	02	163
6 31 27 050 01 1	4014586223186	HM Ultra50 core drill Ø 60 M18 x 6 P 1,5	02	163
6 31 27 051 01 0	4014586223193	HM Ultra50 core drill Ø 61 M18 x 6 P 1,5	02	163
6 31 27 052 01 3	4014586223209	HM Ultra50 core drill Ø 62 M18 x 6 P 1,5	02	163
6 31 27 053 01 7	4014586223216	HM Ultra50 core drill Ø 63 M18 x 6 P 1,5	02	163
6 31 27 054 01 5	4014586223223	HM Ultra50 core drill Ø 64 M18 x 6 P 1,5	02	163
6 31 27 055 01 9	4014586223230	HM Ultra50 core drill Ø 65 M18 x 6 P 1,5	02	163
6 31 27 061 01 9	4014586229447	Core drill Ø 90	02	-
6 31 27 086 01 9	4014586239996	HM Ultra core drill Ø 12/35 HM QI	02	162
6 31 27 086 04 0	4014586375533	Best of core bits HM Ultra 35 QI 12,14,16,18,20,22 mm accessory set	02	162
6 31 27 087 01 3	4014586240008	HM Ultra-core drill Ø 13/35 HM QI	02	162
6 31 27 088 01 1	4014586240015	HM Ultra-core drill Ø 14/35 HM QI	02	162
6 31 27 089 01 5	4014586240022	HM Ultra-core drill Ø 15/35 HM QI	02	162
6 31 27 090 01 7	4014586240039	HM Ultra-core drill Ø 16/35 HM QI	02	162
6 31 27 091 01 6	4014586240046	HM Ultra-core drill Ø 17/35 HM QI	02	162
6 31 27 092 01 9	4014586240053	HM Ultra-core drill Ø 18/35 HM QI	02	162
6 31 27 093 01 3	4014586240060	HM Ultra-core drill Ø 19/35 HM QI	02	162
6 31 27 094 01 1	4014586240077	HM Ultra-core drill Ø 20/35 HM QI	02	162
6 31 27 095 01 5	4014586240084	HM Ultra-core drill Ø 21/35 HM QI	02	162

Part number	EAN	Description	PC	Page
6 31 27 096 01 8	4014586240091	HM Ultra-core drill Ø 22/35 HM QI	02	162
6 31 27 097 01 2	4014586240107	HM Ultra-core drill Ø 23/35 HM QI	02	162
6 31 27 098 01 0	4014586240114	HM Ultra-core drill Ø 24/35 HM QI	02	162
6 31 27 099 01 4	4014586240121	HM Ultra-core drill Ø 25/35 HM QI	02	162
6 31 27 100 01 5	4014586240138	HM Ultra-core drill Ø 26/35 HM QI	02	162
6 31 27 101 01 4	4014586240145	HM Ultra-core drill Ø 27/35 HM QI	02	162
6 31 27 102 01 7	4014586240152	HM Ultra-core drill Ø 28/35 HM QI	02	162
6 31 27 103 01 1	4014586240169	HM Ultra-core drill Ø 29/35 HM QI	02	162
6 31 27 104 01 9	4014586240176	HM Ultra-core drill Ø 30/35 HM QI	02	162
6 31 27 105 01 3	4014586240183	HM Ultra-core drill Ø 31/35 HM QI	02	162
6 31 27 106 01 6	4014586240190	HM Ultra-core drill Ø 32/35 HM QI	02	163
6 31 27 107 01 0	4014586240206	HM Ultra-core drill Ø 33/35 HM QI	02	163
6 31 27 108 01 8	4014586240213	HM Ultra-core drill Ø 34/35 HM QI	02	163
6 31 27 109 01 2	4014586240220	HM Ultra-core drill Ø 35/35 HM QI	02	163
6 31 27 110 01 4	4014586240237	HM Ultra-core drill Ø 36/35 HM QI	02	163
6 31 27 111 01 3	4014586240244	HM Ultra-core drill Ø 37/35 HM QI	02	163
6 31 27 112 01 6	4014586240251	HM Ultra-core drill Ø 38/35 HM QI	02	163
6 31 27 113 01 0	4014586240268	HM Ultra-core drill Ø 39/35 HM QI	02	163
6 31 27 114 01 8	4014586240275	HM Ultra-core drill Ø 40/35 HM QI	02	163
6 31 27 115 01 2	4014586240282	HM Ultra-core drill Ø 41/35 HM QI	02	163
6 31 27 116 01 5	4014586240299	HM Ultra-core drill Ø 42/35 HM QI	02	163
6 31 27 117 01 9	4014586240305	HM Ultra-core drill Ø 43/35 HM QI	02	163
6 31 27 118 01 7	4014586240312	HM Ultra-core drill Ø 44/35 HM QI	02	163
6 31 27 119 01 1	4014586240329	HM Ultra-core drill Ø 45/35 HM QI	02	163
6 31 27 120 01 3	4014586240336	HM Ultra-core drill Ø 46/35 HM QI	02	163
6 31 27 121 01 2	4014586240343	HM Ultra-core drill Ø 47/35 HM QI	02	163
6 31 27 122 01 5	4014586240350	HM Ultra-core drill Ø 48/35 HM QI	02	163
6 31 27 123 01 9	4014586240367	HM Ultra-core drill Ø 49/35 HM QI	02	163
6 31 27 124 01 7	4014586240374	HM Ultra-core drill Ø 50/35 HM QI	02	163
6 31 27 125 01 1	4014586240381	HM Ultra-core drill Ø 51/35 HM QI	02	163
6 31 27 126 01 4	4014586240398	HM Ultra-core drill Ø 52/35 HM QI	02	163
6 31 27 127 01 8	4014586240404	HM Ultra-core drill Ø 53/35 HM QI	02	163
6 31 27 128 01 6	4014586240411	HM Ultra-core drill Ø 54/35 HM QI	02	163
6 31 27 129 01 0	4014586240428	HM Ultra-core drill Ø 55/35 HM QI	02	163
6 31 27 130 01 2	4014586240435	HM Ultra-core drill Ø 56/35 HM QI	02	163
6 31 27 131 01 1	4014586240442	HM Ultra-core drill Ø 57/35 HM QI	02	163
6 31 27 132 01 4	4014586240459	HM Ultra-core drill Ø 58/35 HM QI	02	163
6 31 27 133 01 8	4014586240466	HM Ultra-core drill Ø 59/35 HM QI	02	163
6 31 27 134 01 6	4014586240473	HM Ultra-core drill Ø 60/35 HM QI	02	163
6 31 27 135 01 0	4014586240480	HM Ultra-core drill Ø 61/35 HM QI	02	163
6 31 27 136 01 3	4014586240497	HM Ultra-core drill Ø 62/35 HM QI	02	163
6 31 27 137 01 7	4014586240503	HM Ultra-core drill Ø 63/35 HM QI	02	163
6 31 27 138 01 5	4014586240510	HM Ultra-core drill Ø 64/35 HM QI	02	163
6 31 27 139 01 9	4014586240527	HM Ultra-core drill Ø 65/35 HM QI	02	163
6 31 27 238 01 1	4014586252469	HM Ultra-core drill Ø 15.5/35 HM QI	02	162
6 31 27 239 01 5	4014586252476	HM Ultra-core drill Ø 17.5/35 HM QI	02	162
6 31 27 240 01 7	4014586252483	HM Ultra-core drill Ø 19.5/35 HM QI	02	162
6 31 27 241 01 6	4014586252490	HM Ultra-core drill Ø 26.5/35 HM QI	02	162
6 31 27 276 01 0	4014586272122	HM Ultra50 core drill Weldon Ø 12/50	02	164
6 31 27 276 02 0	4014586275540	Best of core bits HM Ultra 50 W 12,14,16,18,20,22 mm accessory set	02	162
6 31 27 277 01 0	4014586272139	HM Ultra50 core drill Weldon Ø 13/50	02	164
6 31 27 278 01 0	4014586272146	HM Ultra50 core drill Weldon Ø 14/50	02	164
6 31 27 279 01 0	4014586272153	HM Ultra50 core drill Weldon Ø 15/50	02	164
6 31 27 280 01 0	4014586272160	HM Ultra50 core drill Weldon Ø 16/50	02	164
6 31 27 281 01 0	4014586272177	HM Ultra50 core drill Weldon Ø 17/50	02	164
6 31 27 282 01 0	4014586272184	HM Ultra50 core drill Weldon Ø 18/50	02	164
6 31 27 283 01 0	4014586272191	HM Ultra50 core drill Weldon Ø 19/50	02	164
6 31 27 284 01 0	4014586272207	HM Ultra50 core drill Weldon Ø 20/50	02	164
6 31 27 285 01 0	4014586272214	HM Ultra50 core drill Weldon Ø 21/50	02	164
6 31 27 286 01 0	4014586272221	HM Ultra50 core drill Weldon Ø 22/50	02	164
6 31 27 287 01 0	4014586272238	HM Ultra50 core drill Weldon Ø 23/50	02	164
6 31 27 288 01 0	4014586272245	HM Ultra50 core drill Weldon Ø 24/50	02	164
6 31 27 289 01 0	4014586272252	HM Ultra50 core drill Weldon Ø 25/50	02	164
6 31 27 290 01 0	4014586272269	HM Ultra50 core drill Weldon Ø 26/50	02	164
6 31 27 291 01 0	4014586272276	HM Ultra50 core drill Weldon Ø 27/50	02	164
6 31 27 292 01 0	4014586272283	HM Ultra50 core drill Weldon Ø 28/50	02	164
6 31 27 293 01 0	4014586272290	HM Ultra50 core drill Weldon Ø 29/50	02	164
6 31 27 294 01 0	4014586272306	HM Ultra50 core drill Weldon Ø 30/50	02	164
6 31 27 295 01 0	4014586272313	HM Ultra50 core drill Weldon Ø 31/50	02	164
6 31 27 296 01 0	4014586272320	HM Ultra50 core drill Weldon Ø 32/50	02	164
6 31 27 297 01 0	4014586272337	HM Ultra50 core drill Weldon Ø 33/50	02	164
6 31 27 298 01 0	4014586272344	HM Ultra50 core drill Weldon Ø 34/50	02	164
6 31 27 299 01 0	4014586272351	HM Ultra50 core drill Weldon Ø 35/50	02	164
6 31 27 300 01 0	4014586272368	HM Ultra50 core drill Weldon Ø 36/50	02	164
6 31 27 301 01 0	4014586272375	HM Ultra50 core drill Weldon Ø 37/50	02	164
6 31 27 302 01 0	4014586272382	HM Ultra50 core drill Weldon Ø 38/50	02	164

Part number	EAN	Description	PC	Page
6 31 27 303 01 0	4014586272399	HM Ultra50 core drill Weldon Ø 39/50	02	164
6 31 27 304 01 0	4014586272405	HM Ultra50 core drill Weldon Ø 40/50	02	164
6 31 27 305 01 0	4014586272412	HM Ultra50 core drill Weldon Ø 41/50	02	164
6 31 27 306 01 0	4014586272429	HM Ultra50 core drill Weldon Ø 42/50	02	164
6 31 27 307 01 0	4014586272436	HM Ultra50 core drill Weldon Ø 43/50	02	164
6 31 27 308 01 0	4014586272443	HM Ultra50 core drill Weldon Ø 44/50	02	164
6 31 27 309 01 0	4014586272450	HM Ultra50 core drill Weldon Ø 45/50	02	164
6 31 27 310 01 0	4014586272467	HM Ultra50 core drill Weldon Ø 46/50	02	164
6 31 27 311 01 0	4014586272474	HM Ultra50 core drill Weldon Ø 47/50	02	164
6 31 27 312 01 0	4014586272481	HM Ultra50 core drill Weldon Ø 48/50	02	164
6 31 27 313 01 0	4014586272498	HM Ultra50 core drill Weldon Ø 49/50	02	164
6 31 27 314 01 0	4014586272504	HM Ultra50 core drill Weldon Ø 50/50	02	164
6 31 27 315 01 0	4014586272511	HM Ultra50 core drill Weldon Ø 51/50	02	164
6 31 27 316 01 0	4014586272528	HM Ultra50 core drill Weldon Ø 52/50	02	164
6 31 27 317 01 0	4014586272535	HM Ultra50 core drill Weldon Ø 53/50	02	164
6 31 27 318 01 0	4014586272542	HM Ultra50 core drill Weldon Ø 54/50	02	164
6 31 27 319 01 0	4014586272559	HM Ultra50 core drill Weldon Ø 55/50	02	164
6 31 27 320 01 0	4014586272566	HM Ultra50 core drill Weldon Ø 56/50	02	164
6 31 27 321 01 0	4014586272573	HM Ultra50 core drill Weldon Ø 57/50	02	164
6 31 27 322 01 0	4014586272580	HM Ultra50 core drill Weldon Ø 58/50	02	164
6 31 27 323 01 0	4014586272597	HM Ultra50 core drill Weldon Ø 59/50	02	164
6 31 27 324 01 0	4014586272603	HM Ultra50 core drill Weldon Ø 60/50	02	164
6 31 27 325 01 0	4014586272610	HM Ultra50 core drill Weldon Ø 61/50	02	164
6 31 27 326 01 0	4014586272627	HM Ultra50 core drill Weldon Ø 62/50	02	164
6 31 27 327 01 0	4014586272634	HM Ultra50 core drill Weldon Ø 63/50	02	164
6 31 27 328 01 0	4014586272641	HM Ultra50 core drill Weldon Ø 64/50	02	164
6 31 27 329 01 0	4014586272658	HM Ultra50 core drill Weldon Ø 65/50	02	164
6 31 27 330 01 0	4014586279732	HM Ultra50 core drill QuickIN MAX Ø 50/50	02	172
6 31 27 331 01 0	4014586279749	HM Ultra50 core drill QuickIN MAX Ø 51/50	02	172
6 31 27 332 01 0	4014586279756	HM Ultra50 core drill QuickIN MAX Ø 52/50	02	172
6 31 27 333 01 0	4014586279763	HM Ultra50 core drill QuickIN MAX Ø 53/50	02	172
6 31 27 334 01 0	4014586279770	HM Ultra50 core drill QuickIN MAX Ø 54/50	02	172
6 31 27 335 01 0	4014586279787	HM Ultra50 core drill QuickIN MAX Ø 55/50	02	172
6 31 27 336 01 0	4014586279794	HM Ultra50 core drill QuickIN MAX Ø 56/50	02	172
6 31 27 337 01 0	4014586279800	HM Ultra50 core drill QuickIN MAX Ø 57/50	02	172
6 31 27 338 01 0	4014586279817	HM Ultra50 core drill QuickIN MAX Ø 58/50	02	172
6 31 27 339 01 0	4014586279824	HM Ultra50 core drill QuickIN MAX Ø 59/50	02	172
6 31 27 340 01 0	4014586279831	HM Ultra50 core drill QuickIN MAX Ø 60/50	02	172
6 31 27 341 01 0	4014586279848	HM Ultra50 core drill QuickIN MAX Ø 61/50	02	172
6 31 27 342 01 0	4014586279855	HM Ultra50 core drill QuickIN MAX Ø 62/50	02	172
6 31 27 343 01 0	4014586279862	HM Ultra50 core drill QuickIN MAX Ø 63/50	02	172
6 31 27 344 01 0	4014586279879	HM Ultra50 core drill QuickIN MAX Ø 64/50	02	172
6 31 27 345 01 0	4014586279886	HM Ultra50 core drill QuickIN MAX Ø 65/50	02	172
6 31 27 346 01 0	4014586279893	HM Ultra50 core drill QuickIN MAX Ø 66/50	02	172
6 31 27 347 01 0	4014586279909	HM Ultra50 core drill QuickIN MAX Ø 67/50	02	172
6 31 27 348 01 0	4014586279916	HM Ultra50 core drill QuickIN MAX Ø 68/50	02	172
6 31 27 349 01 0	4014586279923	HM Ultra50 core drill QuickIN MAX Ø 69/50	02	172
6 31 27 350 01 0	4014586279930	HM Ultra50 core drill QuickIN MAX Ø 70/50	02	172
6 31 27 351 01 0	4014586279947	HM Ultra50 core drill QuickIN MAX Ø 71/50	02	172
6 31 27 352 01 0	4014586279954	HM Ultra50 core drill QuickIN MAX Ø 72/50	02	172
6 31 27 353 01 0	4014586279961	HM Ultra50 core drill QuickIN MAX Ø 73/50	02	172
6 31 27 354 01 0	4014586279978	HM Ultra50 core drill QuickIN MAX Ø 74/50	02	172
6 31 27 355 01 0	4014586279985	HM Ultra50 core drill QuickIN MAX Ø 75/50	02	172
6 31 27 456 01 0	4014586304083	HM Ultra50 core drill QuickIN MAX Ø 76/50	02	172
6 31 27 457 01 0	4014586304090	HM Ultra50 core drill QuickIN MAX Ø 77/50	02	172
6 31 27 458 01 0	4014586304106	HM Ultra50 core drill QuickIN MAX Ø 78/50	02	172
6 31 27 459 01 0	4014586304113	HM Ultra50 core drill QuickIN MAX Ø 79/50	02	172
6 31 27 460 01 0	4014586304120	HM Ultra50 core drill QuickIN MAX Ø 80/50	02	172
6 31 27 714 01 0	4014586346632	TCT Ultra 35 core bit with 3/4" Weldon holder	02	157
6 31 27 714 02 0	4014586375557	Best of core bits HM Ultra 35 W 12,14,16,18,20,22 mm accessory set	02	154
6 31 27 715 01 0	4014586346649	TCT Ultra 35 core bit with 3/4" Weldon holder	02	157
6 31 27 716 01 0	4014586346656	TCT Ultra 35 core bit with 3/4" Weldon holder	02	157
6 31 27 717 01 0	4014586346663	TCT Ultra 35 core bit with 3/4" Weldon holder	02	157
6 31 27 718 01 0	4014586346670	TCT Ultra 35 core bit with 3/4" Weldon holder	02	157
6 31 27 719 01 0	4014586346687	TCT Ultra 35 core bit with 3/4" Weldon holder	02	157
6 31 27 720 01 0	4014586346694	TCT Ultra 35 core bit with 3/4" Weldon holder	02	157
6 31 27 721 01 0	4014586346700	TCT Ultra 35 core bit with 3/4" Weldon holder	02	157
6 31 27 722 01 0	4014586346717	TCT Ultra 35 core bit with 3/4" Weldon holder	02	157
6 31 27 723 01 0	4014586346724	TCT Ultra 35 core bit with 3/4" Weldon holder	02	157
6 31 27 724 01 0	4014586346731	TCT Ultra 35 core bit with 3/4" Weldon holder	02	157
6 31 27 725 01 0	4014586346748	TCT Ultra 35 core bit with 3/4" Weldon holder	02	157
6 31 27 726 01 0	4014586346755	TCT Ultra 35 core bit with 3/4" Weldon holder	02	157
6 31 27 727 01 0	4014586346762	TCT Ultra 35 core bit with 3/4" Weldon holder	02	157
6 31 27 728 01 0	4014586346779	TCT Ultra 35 core bit with 3/4" Weldon holder	02	157
6 31 27 729 01 0	4014586346786	TCT Ultra 35 core bit with 3/4" Weldon holder	02	157
6 31 27 730 01 0	4014586346793	TCT Ultra 35 core bit with 3/4" Weldon holder	02	157

Part number	EAN	Description	PC	Page
6 31 30 014 01 0	4014586331034	Core bit D14/20 HM QIP	02	-
6 31 30 015 01 0	4014586331041	Core bit D15/20 HM QIP	02	149
6 31 30 016 01 0	4014586331058	Core bit D16/20 HM QIP	02	149
6 31 30 017 01 0	4014586331065	Core bit D17/20 HM QIP	02	149
6 31 30 018 01 0	4014586331072	Core bit D18/20 HM QIP	02	149
6 31 30 019 01 0	4014586331089	Core bit D19/20 HM QIP	02	149
6 31 30 020 01 0	4014586331096	Core bit D20/20 HM QIP	02	149
6 31 30 021 01 0	4014586331102	Core bit D21/20 HM QIP	02	149
6 31 30 022 01 0	4014586331119	Core bit D22/20 HM QIP	02	149
6 31 30 023 01 0	4014586331126	Core bit D23/20 HM QIP	02	149
6 31 30 024 01 0	4014586331133	Core bit D24/20 HM QIP	02	149
6 31 30 025 01 0	4014586331140	Core bit D25/20 HM QIP	02	149
6 31 30 026 01 0	4014586331157	Core bit D26/20 HM QIP	02	149
6 31 30 027 01 0	4014586331164	Core bit D27/20 HM QIP	02	149
6 31 30 028 01 0	4014586331171	Core bit D28/20 HM QIP	02	149
6 31 30 029 01 0	4014586331188	Core bit D29/20 HM QIP	02	149
6 31 30 030 01 0	4014586331195	Core bit D30/20 HM QIP	02	149
6 31 30 114 01 0	4014586331409	Core bit D14/20 HM QIP	02	149
6 31 30 115 01 0	4014586331416	Core bit D15/20 HM QIP	02	149
6 31 30 115 51 0	4014586368986	Carbide core drill bit with QuickIN PLUS holder	02	-
6 31 30 116 01 0	4014586331423	Core bit D16/20 HM QIP	02	149
6 31 30 117 01 0	4014586331430	Core bit D17/20 HM QIP	02	149
6 31 30 117 51 0	4014586368993	Carbide core drill bit with QuickIN PLUS holder	02	-
6 31 30 118 01 0	4014586331447	Core bit D18/20 HM QIP	02	149
6 31 30 119 01 0	4014586331454	Core bit D19/20 HM QIP	02	149
6 31 30 119 51 0	4014586369006	Carbide core drill bit with QuickIN PLUS holder	02	-
6 31 30 120 01 0	4014586331461	Core bit D20/20 HM QIP	02	149
6 31 30 121 01 0	4014586331478	Core bit D21/20 HM QIP	02	149
6 31 30 122 01 0	4014586331485	Core bit D22/20 HM QIP	02	149
6 31 30 123 01 0	4014586331492	Core bit D23/20 HM QIP	02	149
6 31 30 124 01 0	4014586331508	Core bit D24/20 HM QIP	02	149
6 31 30 125 01 0	4014586331515	Core bit D25/20 HM QIP	02	149
6 31 30 126 01 0	4014586331522	Core bit D26/20 HM QIP	02	149
6 31 30 127 01 0	4014586331539	Core bit D27/20 HM QIP	02	149
6 31 30 128 01 0	4014586331546	Core bit D28/20 HM QIP	02	149
6 31 30 129 01 0	4014586331553	Core bit D29/20 HM QIP	02	149
6 31 30 130 01 0	4014586331560	Core bit D30/20 HM QIP	02	149
6 31 30 200 01 0	4014586331201	Core bit D9/16" x 3/4" HM QIP	02	149
6 31 30 201 01 0	4014586331218	Core bit D5/8" x 3/4" HM QIP	02	149
6 31 30 202 01 0	4014586331225	Core bit D11/16" x 3/4" HM QIP	02	149
6 31 30 203 01 0	4014586331232	Core bit D3/4" x 3/4" HM QIP	02	149
6 31 30 204 01 0	4014586331249	Core bit D13/16" x 3/4" HM QIP	02	149
6 31 30 205 01 0	4014586331256	Core bit D7/8" x 3/4" HM QIP	02	149
6 31 30 206 01 0	4014586331263	Core bit D15/16" x 3/4" HM QIP	02	149
6 31 30 207 01 0	4014586331270	Core bit D1" x 3/4" HM QIP	02	149
6 31 30 208 01 0	4014586331287	Core bit D1-1/16" x 3/4" HM QIP	02	149
6 31 30 209 01 0	4014586331294	Core bit D1-1/8" x 3/4" HM QIP	02	149
6 31 30 210 01 0	4014586331300	Core bit D1-3/16" x 3/4" HM QIP	02	149
6 31 30 300 01 0	4014586331577	Core bit D9/16" x 3/4" HM QIP	02	149
6 31 30 301 01 0	4014586331584	Core bit D5/8" x 3/4" HM QIP	02	149
6 31 30 302 01 0	4014586331591	Core bit D11/16" x 3/4" HM QIP	02	149
6 31 30 303 01 0	4014586331607	Core bit D3/4" x 3/4" HM QIP	02	149
6 31 30 304 01 0	4014586331614	Core bit D13/16" x 3/4" HM QIP	02	149
6 31 30 305 01 0	4014586331621	Core bit D7/8" x 3/4" HM QIP	02	149
6 31 30 306 01 0	4014586331638	Core bit D15/16" x 3/4" HM QIP	02	149
6 31 30 307 01 0	4014586331645	Core bit D1" x 3/4" HM QIP	02	149
6 31 30 308 01 0	4014586331652	Core bit D1-1/16" x 3/4" HM QIP	02	149
6 31 30 309 01 0	4014586331669	Core bit D1-1/8" x 3/4" HM QIP	02	149
6 31 30 310 01 0	4014586331676	Core bit D1-3/16" x 3/4" HM QIP	02	149
6 31 31 014 01 0	4014586333274	Carbide hole saw with QuickIN PLUS holder Ø 14	02	149
6 31 31 015 01 0	4014586333281	Carbide hole saw with QuickIN PLUS holder Ø 15	02	149
6 31 31 016 01 0	4014586333298	Carbide hole saw with QuickIN PLUS holder Ø 16	02	149
6 31 31 017 01 0	4014586333304	Carbide hole saw with QuickIN PLUS holder Ø 17	02	149
6 31 31 018 01 0	4014586333311	Carbide hole saw with QuickIN PLUS holder Ø 18	02	149
6 31 31 019 01 0	4014586333328	Carbide hole saw with QuickIN PLUS holder Ø 19	02	149
6 31 31 020 01 0	4014586333335	Carbide hole saw with QuickIN PLUS holder Ø 20	02	149
6 31 31 021 01 0	4014586333922	Carbide hole saw with QuickIN PLUS holder Ø 21	02	149
6 31 31 022 01 0	4014586333342	Carbide hole saw with QuickIN PLUS holder Ø 22	02	149
6 31 31 023 01 0	4014586333939	Carbide hole saw with QuickIN PLUS holder Ø 23	02	149
6 31 31 024 01 0	4014586333359	Carbide hole saw with QuickIN PLUS holder Ø 24	02	149
6 31 31 025 01 0	4014586333366	Carbide hole saw with QuickIN PLUS holder Ø 25	02	149
6 31 31 026 01 0	4014586333373	Carbide hole saw with QuickIN PLUS holder Ø 26	02	150
6 31 31 027 01 0	4014586333380	Carbide hole saw with QuickIN PLUS holder Ø 27	02	150
6 31 31 028 01 0	4014586333946	Carbide hole saw with QuickIN PLUS holder Ø 28	02	150
6 31 31 029 01 0	4014586333397	Carbide hole saw with QuickIN PLUS holder Ø 29	02	150
6 31 31 030 01 0	4014586333403	Carbide hole saw with QuickIN PLUS holder Ø 30	02	150

Part number	EAN	Description	PC	Page
6 31 31 031 01 0	4014586333953	Carbide hole saw with QuickIN PLUS holder Ø 31	02	150
6 31 31 032 01 0	4014586333410	Carbide hole saw with QuickIN PLUS holder Ø 32	02	150
6 31 31 033 01 0	4014586333427	Carbide hole saw with QuickIN PLUS holder Ø 33	02	150
6 31 31 034 01 0	4014586333960	Carbide hole saw with QuickIN PLUS holder Ø 34	02	150
6 31 31 035 01 0	4014586333434	Carbide hole saw with QuickIN PLUS holder Ø 35	02	150
6 31 31 036 01 0	4014586333977	Carbide hole saw with QuickIN PLUS holder Ø 36	02	150
6 31 31 037 01 0	4014586333441	Carbide hole saw with QuickIN PLUS holder Ø 37	02	150
6 31 31 038 01 0	4014586333458	Carbide hole saw with QuickIN PLUS holder Ø 38	02	150
6 31 31 039 01 0	4014586333984	Carbide hole saw with QuickIN PLUS holder Ø 39	02	150
6 31 31 040 01 0	4014586333465	Carbide hole saw with QuickIN PLUS holder Ø 40	02	150
6 31 31 041 01 0	4014586333991	Carbide hole saw with QuickIN PLUS holder Ø 41	02	150
6 31 31 042 01 0	4014586333472	Carbide hole saw with QuickIN PLUS holder Ø 42	02	150
6 31 31 043 01 0	4014586334004	Carbide hole saw with QuickIN PLUS holder Ø 43	02	150
6 31 31 044 01 0	4014586333489	Carbide hole saw with QuickIN PLUS holder Ø 44	02	150
6 31 31 045 01 0	4014586334011	Carbide hole saw with QuickIN PLUS holder Ø 45	02	150
6 31 31 046 01 0	4014586334028	Carbide hole saw with QuickIN PLUS holder Ø 46	02	150
6 31 31 047 01 0	4014586334035	Carbide hole saw with QuickIN PLUS holder Ø 47	02	150
6 31 31 048 01 0	4014586334042	Carbide hole saw with QuickIN PLUS holder Ø 48	02	150
6 31 31 049 01 0	4014586334059	Carbide hole saw with QuickIN PLUS holder Ø 49	02	150
6 31 31 050 01 0	4014586333496	Carbide hole saw with QuickIN PLUS holder Ø 50	02	150
6 31 31 051 01 0	4014586333502	Carbide hole saw with QuickIN PLUS holder Ø 51	02	150
6 31 31 052 01 0	4014586334066	Carbide hole saw with QuickIN PLUS holder Ø 52	02	150
6 31 31 053 01 0	4014586334073	Carbide hole saw with QuickIN PLUS holder Ø 53	02	150
6 31 31 054 01 0	4014586333519	Carbide hole saw with QuickIN PLUS holder Ø 54	02	150
6 31 31 055 01 0	4014586366470	Carbide hole saw with QuickIN PLUS holder	02	-
6 31 31 056 01 0	4014586366487	Carbide hole saw with QuickIN PLUS holder	02	-
6 31 31 057 01 0	4014586366494	Carbide hole saw with QuickIN PLUS holder	02	-
6 31 31 058 01 0	4014586366500	Carbide hole saw with QuickIN PLUS holder	02	-
6 31 31 059 01 0	4014586366517	Carbide hole saw with QuickIN PLUS holder	02	-
6 31 31 060 01 0	4014586366524	Carbide hole saw with QuickIN PLUS holder	02	-
6 31 31 065 01 0	4014586366531	Carbide hole saw with QuickIN PLUS holder	02	-
6 31 31 068 01 0	4014586366548	Carbide hole saw with QuickIN PLUS holder	02	-
6 31 31 070 01 0	4014586366555	Carbide hole saw with QuickIN PLUS holder	02	-
6 31 31 075 01 0	4014586366562	Carbide hole saw with QuickIN PLUS holder	02	-
6 31 31 080 01 0	4014586366579	Carbide hole saw with QuickIN PLUS holder	02	-
6 31 31 200 01 0	4014586334080	Carbide hole saw with QuickIN PLUS holder Ø 9/16"	02	150
6 31 31 201 01 0	4014586334097	Carbide hole saw with QuickIN PLUS holder Ø 5/8"	02	150
6 31 31 202 01 0	4014586334103	Carbide hole saw with QuickIN PLUS holder Ø 11/16"	02	150
6 31 31 203 01 0	4014586334110	Carbide hole saw with QuickIN PLUS holder Ø 3/4"	02	150
6 31 31 204 01 0	4014586334127	Carbide hole saw with QuickIN PLUS holder Ø 13/16"	02	150
6 31 31 205 01 0	4014586334134	Carbide hole saw with QuickIN PLUS holder Ø 7/8"	02	150
6 31 31 206 01 0	4014586334141	Carbide hole saw with QuickIN PLUS holder Ø 15/16"	02	150
6 31 31 207 01 0	4014586334158	Carbide hole saw with QuickIN PLUS holder Ø 1"	02	150
6 31 31 208 01 0	4014586334165	Carbide hole saw with QuickIN PLUS holder Ø 1-1/16"	02	150
6 31 31 209 01 0	4014586334172	Carbide hole saw with QuickIN PLUS holder Ø 1-1/8"	02	150
6 31 31 210 01 0	4014586334189	Carbide hole saw with QuickIN PLUS holder Ø 1-3/16"	02	150
6 31 31 211 01 0	4014586334196	Carbide hole saw with QuickIN PLUS holder Ø 1-1/4"	02	150
6 31 31 212 01 0	4014586334202	Carbide hole saw with QuickIN PLUS holder Ø 1-5/16"	02	150
6 31 31 213 01 0	4014586334219	Carbide hole saw with QuickIN PLUS holder Ø 1-3/8"	02	150
6 31 31 214 01 0	4014586334226	Carbide hole saw with QuickIN PLUS holder Ø 1-7/16"	02	150
6 31 31 215 01 0	4014586334233	Carbide hole saw with QuickIN PLUS holder Ø 1-1/2"	02	150
6 31 31 216 01 0	4014586334240	Carbide hole saw with QuickIN PLUS holder Ø 1-9/16"	02	150
6 31 31 217 01 0	4014586334257	Carbide hole saw with QuickIN PLUS holder Ø 1-5/8"	02	150
6 31 31 218 01 0	4014586334264	Carbide hole saw with QuickIN PLUS holder Ø 1-11/16"	02	150
6 31 31 219 01 0	4014586334271	Carbide hole saw with QuickIN PLUS holder Ø 1-3/4"	02	150
6 31 31 220 01 0	4014586334288	Carbide hole saw with QuickIN PLUS holder Ø 1-3/16"	02	150
6 31 31 221 01 0	4014586334295	Carbide hole saw with QuickIN PLUS holder Ø 1-7/8"	02	150
6 31 31 222 01 0	4014586334301	Carbide hole saw with QuickIN PLUS holder Ø 1-15/16"	02	150
6 31 31 223 01 0	4014586334318	Carbide hole saw with QuickIN PLUS holder Ø 2"	02	150
6 31 31 224 01 0	4014586334325	Carbide hole saw with QuickIN PLUS holder Ø 2-1/16"	02	150
6 31 31 225 01 0	4014586334332	Carbide hole saw with QuickIN PLUS holder Ø 2-1/8"	02	150
6 31 31 226 01 0	4014586366586	Carbide hole saw with QuickIN PLUS holder	02	-
6 31 31 227 01 0	4014586366593	Carbide hole saw with QuickIN PLUS holder	02	-
6 31 31 228 01 0	4014586366609	Carbide hole saw with QuickIN PLUS holder	02	-
6 31 31 229 01 0	4014586366616	Carbide hole saw with QuickIN PLUS holder	02	-
6 31 31 230 01 0	4014586366623	Carbide hole saw with QuickIN PLUS holder	02	-
6 31 31 231 01 0	4014586366630	Carbide hole saw with QuickIN PLUS holder	02	-
6 31 31 232 01 0	4014586366647	Carbide hole saw with QuickIN PLUS holder	02	-
6 31 31 233 01 0	4014586366654	Carbide hole saw with QuickIN PLUS holder	02	-
6 31 31 234 01 0	4014586366661	Carbide hole saw with QuickIN PLUS holder	02	-
6 31 31 421 01 0	4014586333526	Carbide hole saw for pipes with QuickIN PLUS holder Ø 21	02	150
6 31 31 422 01 0	4014586334349	Carbide hole saw for pipes with QuickIN PLUS holder Ø 22	02	150
6 31 31 423 01 0	4014586334356	Carbide hole saw for pipes with QuickIN PLUS holder Ø 23	02	150
6 31 31 424 01 0	4014586334363	Carbide hole saw for pipes with QuickIN PLUS holder Ø 24	02	150
6 31 31 425 01 0	4014586333533	Carbide hole saw for pipes with QuickIN PLUS holder Ø 25	02	150
6 31 31 426 01 0	4014586334370	Carbide hole saw for pipes with QuickIN PLUS holder Ø 26	02	150

Part number	EAN	Description	PC	Page
6 31 31 427 01 0	4014586333540	Carbide hole saw for pipes with QuickIN PLUS holder Ø 27	02	150
6 31 31 428 01 0	4014586333557	Carbide hole saw for pipes with QuickIN PLUS holder Ø 28	02	150
6 31 31 429 01 0	4014586334387	Carbide hole saw for pipes with QuickIN PLUS holder Ø 29	02	150
6 31 31 430 01 0	4014586333564	Carbide hole saw for pipes with QuickIN PLUS holder Ø 30	02	150
6 31 31 431 01 0	4014586334394	Carbide hole saw for pipes with QuickIN PLUS holder Ø 31	02	150
6 31 31 432 01 0	4014586334400	Carbide hole saw for pipes with QuickIN PLUS holder Ø 32	02	150
6 31 31 433 01 0	4014586333571	Carbide hole saw for pipes with QuickIN PLUS holder Ø 33	02	150
6 31 31 434 01 0	4014586334417	Carbide hole saw for pipes with QuickIN PLUS holder Ø 34	02	150
6 31 31 435 01 0	4014586333588	Carbide hole saw for pipes with QuickIN PLUS holder Ø 35	02	150
6 31 31 436 01 0	4014586334424	Carbide hole saw for pipes with QuickIN PLUS holder Ø 36	02	150
6 31 31 437 01 0	4014586334431	Carbide hole saw for pipes with QuickIN PLUS holder Ø 37	02	150
6 31 31 438 01 0	4014586334448	Carbide hole saw for pipes with QuickIN PLUS holder Ø 38	02	150
6 31 31 439 01 0	4014586334455	Carbide hole saw for pipes with QuickIN PLUS holder Ø 39	02	150
6 31 31 440 01 0	4014586333595	Carbide hole saw for pipes with QuickIN PLUS holder Ø 40	02	150
6 31 31 441 01 0	4014586334462	Carbide hole saw for pipes with QuickIN PLUS holder Ø 41	02	150
6 31 31 442 01 0	4014586333601	Carbide hole saw for pipes with QuickIN PLUS holder Ø 42	02	150
6 31 31 443 01 0	4014586334479	Carbide hole saw for pipes with QuickIN PLUS holder Ø 43	02	150
6 31 31 444 01 0	4014586334486	Carbide hole saw for pipes with QuickIN PLUS holder Ø 44	02	150
6 31 31 445 01 0	4014586334493	Carbide hole saw for pipes with QuickIN PLUS holder Ø 45	02	150
6 31 31 446 01 0	4014586334509	Carbide hole saw for pipes with QuickIN PLUS holder Ø 46	02	150
6 31 31 447 01 0	4014586334516	Carbide hole saw for pipes with QuickIN PLUS holder Ø 47	02	150
6 31 31 448 01 0	4014586333618	Carbide hole saw for pipes with QuickIN PLUS holder Ø 48	02	150
6 31 31 449 01 0	4014586334523	Carbide hole saw for pipes with QuickIN PLUS holder Ø 49	02	150
6 31 31 450 01 0	4014586333625	Carbide hole saw for pipes with QuickIN PLUS holder Ø 50	02	150
6 31 31 451 01 0	4014586333632	Carbide hole saw for pipes with QuickIN PLUS holder Ø 51	02	150
6 31 31 452 01 0	4014586334530	Carbide hole saw for pipes with QuickIN PLUS holder Ø 52	02	150
6 31 31 453 01 0	4014586334547	Carbide hole saw for pipes with QuickIN PLUS holder Ø 53	02	150
6 31 31 454 01 0	4014586333649	Carbide hole saw for pipes with QuickIN PLUS holder Ø 54	02	150
6 31 31 455 01 0	4014586366678	Carbide hole saw for pipes with QuickIN PLUS holder	02	-
6 31 31 456 01 0	4014586366685	Carbide hole saw for pipes with QuickIN PLUS holder	02	-
6 31 31 457 01 0	4014586366692	Carbide hole saw for pipes with QuickIN PLUS holder	02	-
6 31 31 458 01 0	4014586366708	Carbide hole saw for pipes with QuickIN PLUS holder	02	-
6 31 31 459 01 0	4014586366715	Carbide hole saw for pipes with QuickIN PLUS holder	02	-
6 31 31 460 01 0	4014586366722	Carbide hole saw for pipes with QuickIN PLUS holder	02	-
6 31 31 465 01 0	4014586366739	Carbide hole saw for pipes with QuickIN PLUS holder	02	-
6 31 31 468 01 0	4014586366746	Carbide hole saw for pipes with QuickIN PLUS holder	02	-
6 31 31 605 01 0	4014586334554	Carbide hole saw for pipes with QuickIN PLUS holder Ø 7/8"	02	151
6 31 31 606 01 0	4014586334561	Carbide hole saw for pipes with QuickIN PLUS holder Ø 15/16"	02	151
6 31 31 607 01 0	4014586334578	Carbide hole saw for pipes with QuickIN PLUS holder Ø 1"	02	151
6 31 31 608 01 0	4014586334585	Carbide hole saw for pipes with QuickIN PLUS holder Ø 1-1/16"	02	151
6 31 31 609 01 0	4014586334592	Carbide hole saw for pipes with QuickIN PLUS holder Ø 1-1/8"	02	151
6 31 31 610 01 0	4014586334608	Carbide hole saw for pipes with QuickIN PLUS holder Ø 1-3/16"	02	151
6 31 31 611 01 0	4014586334615	Carbide hole saw for pipes with QuickIN PLUS holder Ø 1-1/4"	02	151
6 31 31 612 01 0	4014586334622	Carbide hole saw for pipes with QuickIN PLUS holder Ø 1-5/16"	02	151
6 31 31 613 01 0	4014586334639	Carbide hole saw for pipes with QuickIN PLUS holder Ø 1-3/8"	02	151
6 31 31 614 01 0	4014586334646	Carbide hole saw for pipes with QuickIN PLUS holder Ø 1-7/16"	02	151
6 31 31 615 01 0	4014586334653	Carbide hole saw for pipes with QuickIN PLUS holder Ø 1-1/2"	02	151
6 31 31 616 01 0	4014586334660	Carbide hole saw for pipes with QuickIN PLUS holder Ø 1-9/16"	02	151
6 31 31 617 01 0	4014586334677	Carbide hole saw for pipes with QuickIN PLUS holder Ø 1-5/8"	02	151
6 31 31 618 01 0	4014586334684	Carbide hole saw for pipes with QuickIN PLUS holder Ø 1-11/16"	02	151
6 31 31 619 01 0	4014586334691	Carbide hole saw for pipes with QuickIN PLUS holder Ø 1-3/4"	02	151
6 31 31 620 01 0	4014586334707	Carbide hole saw for pipes with QuickIN PLUS holder Ø 1-13/16"	02	151
6 31 31 621 01 0	4014586334714	Carbide hole saw for pipes with QuickIN PLUS holder Ø 1-7/8"	02	151
6 31 31 622 01 0	4014586334721	Carbide hole saw for pipes with QuickIN PLUS holder Ø 1-15/16"	02	151
6 31 31 623 01 0	4014586334738	Carbide hole saw for pipes with QuickIN PLUS holder Ø 2"	02	151
6 31 31 624 01 0	4014586334745	Carbide hole saw for pipes with QuickIN PLUS holder Ø 2-1-16"	02	151
6 31 31 625 01 0	4014586334752	Carbide hole saw for pipes with QuickIN PLUS holder Ø 2-1/8"	02	151
6 31 31 626 01 0	4014586366753	Carbide hole saw for pipes with QuickIN PLUS holder	02	-
6 31 31 627 01 0	4014586366760	Carbide hole saw for pipes with QuickIN PLUS holder	02	-
6 31 31 628 01 0	4014586366777	Carbide hole saw for pipes with QuickIN PLUS holder	02	-
6 31 31 629 01 0	4014586366784	Carbide hole saw for pipes with QuickIN PLUS holder	02	-
6 31 31 630 01 0	4014586366791	Carbide hole saw for pipes with QuickIN PLUS holder	02	-
6 31 31 631 01 0	4014586366807	Carbide hole saw for pipes with QuickIN PLUS holder	02	-
6 31 33 119 05 1	4014586611471	HSS-NOVA 25 Annular Cutter Ø 12 x 25 QuickIN	02	165
6 31 33 119 05 2	4014586611501	HSS-NOVA 50 Annular Cutter Ø 12 x 50 QuickIN	02	166
6 31 33 120 06 7	4014586615578	HSS-DURA 25 Annular Cutter Ø 12 x 25 QuickIN TIN	02	167
6 31 33 120 06 8	4014586615639	HSS-DURA 50 Annular Cutter Ø 12 x 50 QuickIN TIN	02	167
6 31 33 129 05 1	4014586611815	HSS-NOVA 25 Annular Cutter Ø 13 x 25 QuickIN	02	165
6 31 33 129 05 2	4014586611853	HSS-NOVA 50 Annular Cutter Ø 13 x 50 QuickIN	02	166
6 31 33 130 06 7	4014586611822	HSS-DURA 25 Annular Cutter Ø 13 x 25 QuickIN TIN	02	167
6 31 33 130 06 8	4014586611860	HSS-DURA 50 Annular Cutter Ø 13 x 50 QuickIN TIN	02	167
6 31 33 140 05 1	4014586611891	HSS-NOVA 25 Annular Cutter Ø 14 x 25 QuickIN	02	165
6 31 33 140 05 2	4014586611938	HSS-NOVA 50 Annular Cutter Ø 14 x 50 QuickIN	02	166
6 31 33 140 06 7	4014586611907	HSS-DURA 25 Annular Cutter Ø 14 x 25 QuickIN TIN	02	167
6 31 33 140 06 8	4014586611945	HSS-DURA 50 Annular Cutter Ø 14 x 50 QuickIN TIN	02	167
6 31 33 150 05 1	4014586612188	HSS-NOVA 25 Annular Cutter Ø 15 x 25 QuickIN	02	165



Part number	EAN	Description	PC	Page
6 31 33 150 05 2	4014586612225	HSS-NOVA 50 Annular Cutter Ø 15 x 50 QuickIN	02	166
6 31 33 150 06 7	4014586612195	HSS-DURA 25 Annular Cutter Ø 15 x 25 QuickIN TIN	02	167
6 31 33 150 06 8	4014586612232	HSS-DURA 50 Annular Cutter Ø 15 x 50 QuickIN TIN	02	167
6 31 33 159 05 1	4014586612263	HSS-NOVA 25 Annular Cutter Ø 16 x 25 QuickIN	02	165
6 31 33 159 05 2	4014586612300	HSS-NOVA 50 Annular Cutter Ø 16 x 50 QuickIN	02	166
6 31 33 160 06 7	4014586612270	HSS-DURA 25 Annular Cutter Ø 16 x 25 QuickIN TIN	02	167
6 31 33 160 06 8	4014586612317	HSS-DURA 50 Annular Cutter Ø 16 x 50 QuickIN TIN	02	167
6 31 33 170 05 1	4014586612485	HSS-NOVA 25 Annular Cutter Ø 17 x 25 QuickIN	02	165
6 31 33 170 05 2	4014586612522	HSS-NOVA 50 Annular Cutter Ø 17 x 50 QuickIN	02	166
6 31 33 170 06 7	4014586612492	HSS-DURA 25 Annular Cutter Ø 17 x 25 QuickIN TIN	02	167
6 31 33 170 06 8	4014586612539	HSS-DURA 50 Annular Cutter Ø 17 x 50 QuickIN TIN	02	167
6 31 33 180 05 1	4014586612560	HSS-NOVA 25 Annular Cutter Ø 18 x 25 QuickIN	02	165
6 31 33 180 05 2	4014586612607	HSS-NOVA 50 Annular Cutter Ø 18 x 50 QuickIN	02	166
6 31 33 180 06 7	4014586612577	HSS-DURA 25 Annular Cutter Ø 18 x 25 QuickIN TIN	02	167
6 31 33 180 06 8	4014586612614	HSS-DURA 50 Annular Cutter Ø 18 x 50 QuickIN TIN	02	167
6 31 33 189 05 1	4014586612713	HSS-NOVA 25 Annular Cutter Ø 19 x 25 QuickIN	02	165
6 31 33 189 05 2	4014586612751	HSS-NOVA 50 Annular Cutter Ø 19 x 50 QuickIN	02	166
6 31 33 190 06 7	4014586612720	HSS-DURA 25 Annular Cutter Ø 19 x 25 QuickIN TIN	02	167
6 31 33 190 06 8	4014586612768	HSS-DURA 50 Annular Cutter Ø 19 x 50 QuickIN TIN	02	167
6 31 33 199 05 2	4014586612904	HSS-NOVA 50 Annular Cutter Ø 20 x 50 QuickIN	02	166
6 31 33 199 06 3	4014586612874	HSS-NOVA 25 Annular Cutter Ø 20 x 25 QuickIN	02	165
6 31 33 200 06 7	4014586612867	HSS-DURA 25 Annular Cutter Ø 20 x 25 QuickIN TIN	02	167
6 31 33 200 06 8	4014586612911	HSS-DURA 50 Annular Cutter Ø 20 x 50 QuickIN TIN	02	167
6 31 33 210 05 1	4014586613123	HSS-NOVA 25 Annular Cutter Ø 21 x 25 QuickIN	02	165
6 31 33 210 05 2	4014586613161	HSS-NOVA 50 Annular Cutter Ø 21 x 50 QuickIN	02	166
6 31 33 210 06 7	4014586613130	HSS-DURA 25 Annular Cutter Ø 21 x 25 QuickIN TIN	02	167
6 31 33 210 06 8	4014586613178	HSS-DURA 50 Annular Cutter Ø 21 x 50 QuickIN TIN	02	167
6 31 33 219 05 1	4014586613215	HSS-NOVA 25 Annular Cutter Ø 22 x 25 QuickIN	02	165
6 31 33 219 05 2	4014586613253	HSS-NOVA 50 Annular Cutter Ø 22 x 50 QuickIN	02	166
6 31 33 220 06 7	4014586613222	HSS-DURA 25 Annular Cutter Ø 22 x 25 QuickIN TIN	02	167
6 31 33 220 06 8	4014586613260	HSS-DURA 50 Annular Cutter Ø 22 x 50 QuickIN TIN	02	167
6 31 33 229 05 1	4014586613406	HSS-NOVA 25 Annular Cutter Ø 23 x 25 QuickIN	02	165
6 31 33 229 05 2	4014586613444	HSS-NOVA 50 Annular Cutter Ø 23 x 50 QuickIN	02	166
6 31 33 230 06 7	4014586613413	HSS-DURA 25 Annular Cutter Ø 23 x 25 QuickIN TIN	02	167
6 31 33 230 06 8	4014586613451	HSS-DURA 50 Annular Cutter Ø 23 x 50 QuickIN TIN	02	167
6 31 33 240 05 1	4014586613499	HSS-NOVA 25 Annular Cutter Ø 24 x 25 QuickIN	02	165
6 31 33 240 05 2	4014586613536	HSS-NOVA 50 Annular Cutter Ø 24 x 50 QuickIN	02	166
6 31 33 240 06 7	4014586613505	HSS-DURA 25 Annular Cutter Ø 24 x 25 QuickIN TIN	02	167
6 31 33 240 06 8	4014586613543	HSS-DURA 50 Annular Cutter Ø 24 x 50 QuickIN TIN	02	167
6 31 33 250 05 1	4014586613635	HSS-NOVA 25 Annular Cutter Ø 25 x 25 QuickIN	02	165
6 31 33 250 05 2	4014586613673	HSS-NOVA 50 Annular Cutter Ø 25 x 50 QuickIN	02	166
6 31 33 250 06 7	4014586613642	HSS-DURA 25 Annular Cutter Ø 25 x 25 QuickIN TIN	02	167
6 31 33 250 06 8	4014586613680	HSS-DURA 50 Annular Cutter Ø 25 x 50 QuickIN TIN	02	167
6 31 33 259 05 1	4014586613727	HSS-NOVA 25 Annular Cutter Ø 26 x 25 QuickIN	02	165
6 31 33 259 05 2	4014586613765	HSS-NOVA 50 Annular Cutter Ø 26 x 50 QuickIN	02	166
6 31 33 260 06 7	4014586613734	HSS-DURA 25 Annular Cutter Ø 26 x 25 QuickIN TIN	02	167
6 31 33 260 06 8	4014586613772	HSS-DURA 50 Annular Cutter Ø 26 x 50 QuickIN TIN	02	167
6 31 33 270 05 1	4014586613819	HSS-NOVA 25 Annular Cutter Ø 27 x 25 QuickIN	02	165
6 31 33 270 05 2	4014586613857	HSS-NOVA 50 Annular Cutter Ø 27 x 50 QuickIN	02	166
6 31 33 270 06 7	4014586613826	HSS-DURA 25 Annular Cutter Ø 27 x 25 QuickIN TIN	02	167
6 31 33 270 06 8	4014586613864	HSS-DURA 50 Annular Cutter Ø 27 x 50 QuickIN TIN	02	167
6 31 33 279 05 1	4014586613901	HSS-NOVA 25 Annular Cutter Ø 28 x 25 QuickIN	02	165
6 31 33 279 05 2	4014586613949	HSS-NOVA 50 Annular Cutter Ø 28 x 50 QuickIN	02	166
6 31 33 280 06 7	4014586613918	HSS-DURA 25 Annular Cutter Ø 28 x 25 QuickIN TIN	02	167
6 31 33 280 06 8	4014586613956	HSS-DURA 50 Annular Cutter Ø 28 x 50 QuickIN TIN	02	167
6 31 33 289 05 1	4014586613994	HSS-NOVA 25 Annular Cutter Ø 29 x 25 QuickIN	02	165
6 31 33 289 05 2	4014586614038	HSS-NOVA 50 Annular Cutter Ø 29 x 50 QuickIN	02	166
6 31 33 290 06 7	4014586614007	HSS-DURA 25 Annular Cutter Ø 29 x 25 QuickIN TIN	02	167
6 31 33 290 06 8	4014586614045	HSS-DURA 50 Annular Cutter Ø 29 x 50 QuickIN TIN	02	167
6 31 33 299 05 1	4014586614229	HSS-NOVA 25 Annular Cutter Ø 30 x 25 QuickIN	02	165
6 31 33 299 05 2	4014586614267	HSS-NOVA 50 Annular Cutter Ø 30 x 50 QuickIN	02	166
6 31 33 300 06 7	4014586614236	HSS-DURA 25 Annular Cutter Ø 30 x 25 QuickIN TIN	02	167
6 31 33 300 06 8	4014586614274	HSS-DURA 50 Annular Cutter Ø 30 x 50 QuickIN TIN	02	167
6 31 33 309 05 1	4014586614311	HSS-NOVA 25 Annular Cutter Ø 31 x 25 QuickIN	02	165
6 31 33 309 05 2	4014586614359	HSS-NOVA 50 Annular Cutter Ø 31 x 50 QuickIN	02	166
6 31 33 310 06 7	4014586614328	HSS-DURA 25 Annular Cutter Ø 31 x 25 QuickIN TIN	02	167
6 31 33 310 06 8	4014586614366	HSS-DURA 50 Annular Cutter Ø 31 x 50 QuickIN TIN	02	167
6 31 33 319 05 1	4014586614397	HSS-NOVA 25 Annular Cutter Ø 32 x 25 QuickIN	02	165
6 31 33 319 05 2	4014586614434	HSS-NOVA 50 Annular Cutter Ø 32 x 50 QuickIN	02	166
6 31 33 320 06 7	4014586614403	HSS-DURA 25 Annular Cutter Ø 32 x 25 QuickIN TIN	02	167
6 31 33 320 06 8	4014586614441	HSS-DURA 50 Annular Cutter Ø 32 x 50 QuickIN TIN	02	167
6 31 33 329 05 1	4014586614489	HSS-NOVA 25 Annular Cutter Ø 33 x 25 QuickIN	02	165
6 31 33 329 05 2	4014586614526	HSS-NOVA 50 Annular Cutter Ø 33 x 50 QuickIN	02	166
6 31 33 330 06 7	4014586614496	HSS-DURA 25 Annular Cutter Ø 33 x 25 QuickIN TIN	02	167
6 31 33 330 06 8	4014586614533	HSS-DURA 50 Annular Cutter Ø 33 x 50 QuickIN TIN	02	167
6 31 33 339 05 1	4014586614564	HSS-NOVA 25 Annular Cutter Ø 34 x 25 QuickIN	02	165

Part number	EAN	Description	PC	Page
6 31 33 339 05 2	4014586614601	HSS-NOVA 50 Annular Cutter Ø 34 x 50 QuickIN	02	166
6 31 33 340 06 7	4014586614571	HSS-DURA 25 Annular Cutter Ø 34 x 25 QuickIN TIN	02	167
6 31 33 340 06 8	4014586614618	HSS-DURA 50 Annular Cutter Ø 34 x 50 QuickIN TIN	02	167
6 31 33 350 05 1	4014586614649	HSS-NOVA 25 Annular Cutter Ø 35 x 25 QuickIN	02	165
6 31 33 350 05 2	4014586614687	HSS-NOVA 50 Annular Cutter Ø 35 x 50 QuickIN	02	166
6 31 33 350 06 7	4014586614656	HSS-DURA 25 Annular Cutter Ø 35 x 25 QuickIN TIN	02	167
6 31 33 350 06 8	4014586614694	HSS-DURA 50 Annular Cutter Ø 35 x 50 QuickIN TIN	02	167
6 31 33 359 05 1	4014586614731	HSS-NOVA 25 Annular Cutter Ø 36 x 25 QuickIN	02	165
6 31 33 359 05 2	4014586614779	HSS-NOVA 50 Annular Cutter Ø 36 x 50 QuickIN	02	166
6 31 33 360 06 7	4014586614748	HSS-DURA 25 Annular Cutter Ø 36 x 25 QuickIN TIN	02	167
6 31 33 360 06 8	4014586614786	HSS-DURA 50 Annular Cutter Ø 36 x 50 QuickIN TIN	02	167
6 31 33 369 05 1	4014586614823	HSS-NOVA 25 Annular Cutter Ø 37 x 25 QuickIN	02	165
6 31 33 369 05 2	4014586614861	HSS-NOVA 50 Annular Cutter Ø 37 x 50 QuickIN	02	166
6 31 33 370 06 7	4014586614830	HSS-DURA 25 Annular Cutter Ø 37 x 25 QuickIN TIN	02	167
6 31 33 370 06 8	4014586614878	HSS-DURA 50 Annular Cutter Ø 37 x 50 QuickIN TIN	02	167
6 31 33 379 05 1	4014586614908	HSS-NOVA 25 Annular Cutter Ø 38 x 25 QuickIN	02	165
6 31 33 379 05 2	4014586614946	HSS-NOVA 50 Annular Cutter Ø 38 x 50 QuickIN	02	166
6 31 33 380 06 7	4014586614915	HSS-DURA 25 Annular Cutter Ø 38 x 25 QuickIN TIN	02	167
6 31 33 380 06 8	4014586614953	HSS-DURA 50 Annular Cutter Ø 38 x 50 QuickIN TIN	02	167
6 31 33 389 05 1	4014586614984	HSS-NOVA 25 Annular Cutter Ø 39 x 25 QuickIN	02	165
6 31 33 389 05 2	4014586615028	HSS-NOVA 50 Annular Cutter Ø 39 x 50 QuickIN	02	166
6 31 33 390 06 7	4014586614991	HSS-DURA 25 Annular Cutter Ø 39 x 25 QuickIN TIN	02	167
6 31 33 390 06 8	4014586615035	HSS-DURA 50 Annular Cutter Ø 39 x 50 QuickIN TIN	02	167
6 31 33 399 05 1	4014586615066	HSS-NOVA 25 Annular Cutter Ø 40 x 25 QuickIN	02	165
6 31 33 399 05 2	4014586615103	HSS-NOVA 50 Annular Cutter Ø 40 x 50 QuickIN	02	166
6 31 33 400 06 7	4014586615073	HSS-DURA 25 Annular Cutter Ø 40 x 25 QuickIN TIN	02	167
6 31 33 400 06 8	4014586615110	HSS-DURA 50 Annular Cutter Ø 40 x 50 QuickIN TIN	02	167
6 31 33 409 05 1	4014586615158	HSS-NOVA 25 Annular Cutter Ø 41 x 25 QuickIN	02	165
6 31 33 409 05 2	4014586615196	HSS-NOVA 50 Annular Cutter Ø 41 x 50 QuickIN	02	166
6 31 33 410 06 7	4014586615165	HSS-DURA 25 Annular Cutter Ø 41 x 25 QuickIN TIN	02	167
6 31 33 410 06 8	4014586615202	HSS-DURA 50 Annular Cutter Ø 41 x 50 QuickIN TIN	02	167
6 31 33 420 05 1	4014586615233	HSS-NOVA 25 Annular Cutter Ø 42 x 25 QuickIN	02	165
6 31 33 420 05 2	4014586615271	HSS-NOVA 50 Annular Cutter Ø 42 x 50 QuickIN	02	166
6 31 33 420 06 7	4014586615240	HSS-DURA 25 Annular Cutter Ø 42 x 25 QuickIN TIN	02	167
6 31 33 420 06 8	4014586615288	HSS-DURA 50 Annular Cutter Ø 42 x 50 QuickIN TIN	02	167
6 31 33 429 05 1	4014586615318	HSS-NOVA 25 Annular Cutter Ø 43 x 25 QuickIN	02	165
6 31 33 429 05 2	4014586615356	HSS-NOVA 50 Annular Cutter Ø 43 x 50 QuickIN	02	166
6 31 33 430 06 7	4014586615325	HSS-DURA 25 Annular Cutter Ø 43 x 25 QuickIN TIN	02	167
6 31 33 430 06 8	4014586615363	HSS-DURA 50 Annular Cutter Ø 43 x 50 QuickIN TIN	02	167
6 31 33 439 05 1	4014586615394	HSS-NOVA 25 Annular Cutter Ø 44 x 25 QuickIN	02	165
6 31 33 439 05 2	4014586615431	HSS-NOVA 50 Annular Cutter Ø 44 x 50 QuickIN	02	166
6 31 33 440 06 7	4014586615400	HSS-DURA 25 Annular Cutter Ø 44 x 25 QuickIN TIN	02	167
6 31 33 440 06 8	4014586615448	HSS-DURA 50 Annular Cutter Ø 44 x 50 QuickIN TIN	02	167
6 31 33 449 05 1	4014586615479	HSS-NOVA 25 Annular Cutter Ø 45 x 25 QuickIN	02	165
6 31 33 449 05 2	4014586615516	HSS-NOVA 50 Annular Cutter Ø 45 x 50 QuickIN	02	166
6 31 33 450 06 7	4014586615486	HSS-DURA 25 Annular Cutter Ø 45 x 25 QuickIN TIN	02	167
6 31 33 450 06 8	4014586615523	HSS-DURA 50 Annular Cutter Ø 45 x 50 QuickIN TIN	02	167
6 31 33 459 05 1	4014586615561	HSS-NOVA 25 Annular Cutter Ø 46 x 25 QuickIN	02	165
6 31 33 459 05 2	4014586615622	HSS-NOVA 50 Annular Cutter Ø 46 x 50 QuickIN	02	166
6 31 33 460 06 7	4014586615585	HSS-DURA 25 Annular Cutter Ø 46 x 25 QuickIN TIN	02	167
6 31 33 460 06 8	4014586615646	HSS-DURA 50 Annular Cutter Ø 46 x 50 QuickIN TIN	02	167
6 31 33 469 05 1	4014586615684	HSS-NOVA 25 Annular Cutter Ø 47 x 25 QuickIN	02	165
6 31 33 469 05 2	4014586615721	HSS-NOVA 50 Annular Cutter Ø 47 x 50 QuickIN	02	166
6 31 33 470 06 7	4014586615691	HSS-DURA 25 Annular Cutter Ø 47 x 25 QuickIN TIN	02	167
6 31 33 470 06 8	4014586615738	HSS-DURA 50 Annular Cutter Ø 47 x 50 QuickIN TIN	02	167
6 31 33 479 05 1	4014586615769	HSS-NOVA 25 Annular Cutter Ø 48 x 25 QuickIN	02	165
6 31 33 479 05 2	4014586615806	HSS-NOVA 50 Annular Cutter Ø 48 x 50 QuickIN	02	166
6 31 33 480 06 7	4014586615776	HSS-DURA 25 Annular Cutter Ø 48 x 25 QuickIN TIN	02	167
6 31 33 480 06 8	4014586615813	HSS-DURA 50 Annular Cutter Ø 48 x 50 QuickIN TIN	02	167
6 31 33 489 05 1	4014586615844	HSS-NOVA 25 Annular Cutter Ø 49 x 25 QuickIN	02	165
6 31 33 489 05 2	4014586615882	HSS-NOVA 50 Annular Cutter Ø 49 x 50 QuickIN	02	166
6 31 33 490 06 7	4014586615851	HSS-DURA 25 Annular Cutter Ø 49 x 25 QuickIN TIN	02	167
6 31 33 490 06 8	4014586615899	HSS-DURA 50 Annular Cutter Ø 49 x 50 QuickIN TIN	02	167
6 31 33 499 05 1	4014586615981	HSS-NOVA 25 Annular Cutter Ø 50 x 25 QuickIN	02	165
6 31 33 499 05 2	4014586616018	HSS-NOVA 50 Annular Cutter Ø 50 x 50 QuickIN	02	166
6 31 33 500 06 7	4014586615592	HSS-DURA 25 Annular Cutter Ø 50 x 25 QuickIN TIN	02	167
6 31 33 500 06 8	4014586615653	HSS-DURA 50 Annular Cutter Ø 50 x 50 QuickIN TIN	02	167
6 31 33 999 01 0	4014586375571	Best of core bits HSS NOVA 50 QI 12,14,16,18,20,22 mm accessory set	02	165
6 31 34 120 05 1	4014586611457	HSS-NOVA 25 Annular Cutter Ø 12 x 25 Weldon	02	154
6 31 34 120 05 2	4014586611488	HSS-NOVA 50 Annular Cutter Ø 12 x 50 Weldon	02	155
6 31 34 120 07 5	4014586611464	HSS-DURA 25 Annular Cutter Ø 12 x 25 Weldon TIN	02	156
6 31 34 120 07 6	4014586611495	HSS-DURA 50 Annular Cutter Ø 12 x 50 Weldon TIN	02	156
6 31 34 130 05 1	4014586611792	HSS-NOVA 25 Annular Cutter Ø 13 x 25 Weldon	02	154
6 31 34 130 05 2	4014586611839	HSS-NOVA 50 Annular Cutter Ø 13 x 50 Weldon	02	155
6 31 34 130 07 5	4014586611808	HSS-DURA 25 Annular Cutter Ø 13 x 25 Weldon TIN	02	156
6 31 34 130 07 6	4014586611846	HSS-DURA 50 Annular Cutter Ø 13 x 50 Weldon TIN	02	156



Part number	EAN	Description	PC	Page
6 31 34 140 05 1	4014586611877	HSS-NOVA 25 Annular Cutter Ø 14 x 25 Weldon	02	154
6 31 34 140 05 2	4014586611914	HSS-NOVA 50 Annular Cutter Ø 14 x 50 Weldon	02	155
6 31 34 140 07 5	4014586611884	HSS-DURA 25 Annular Cutter Ø 14 x 25 Weldon TIN	02	156
6 31 34 140 07 6	4014586611921	HSS-DURA 50 Annular Cutter Ø 14 x 50 Weldon TIN	02	156
6 31 34 150 05 1	4014586612164	HSS-NOVA 25 Annular Cutter Ø 15 x 25 Weldon	02	154
6 31 34 150 05 2	4014586612201	HSS-NOVA 50 Annular Cutter Ø 15 x 50 Weldon	02	155
6 31 34 150 07 5	4014586612171	HSS-DURA 25 Annular Cutter Ø 15 x 25 Weldon TIN	02	156
6 31 34 150 07 6	4014586612218	HSS-DURA 50 Annular Cutter Ø 15 x 50 Weldon TIN	02	156
6 31 34 160 05 1	4014586612249	HSS-NOVA 25 Annular Cutter Ø 16 x 25 Weldon	02	154
6 31 34 160 05 2	4014586612287	HSS-NOVA 50 Annular Cutter Ø 16 x 50 Weldon	02	155
6 31 34 160 07 5	4014586612256	HSS-DURA 25 Annular Cutter Ø 16 x 25 Weldon TIN	02	156
6 31 34 160 07 6	4014586612294	HSS-DURA 50 Annular Cutter Ø 16 x 50 Weldon TIN	02	156
6 31 34 170 05 1	4014586612461	HSS-NOVA 25 Annular Cutter Ø 17 x 25 Weldon	02	154
6 31 34 170 05 2	4014586612508	HSS-NOVA 50 Annular Cutter Ø 17 x 50 Weldon	02	155
6 31 34 170 07 5	4014586612478	HSS-DURA 25 Annular Cutter Ø 17 x 25 Weldon TIN	02	156
6 31 34 170 07 6	4014586612515	HSS-DURA 50 Annular Cutter Ø 17 x 50 Weldon TIN	02	156
6 31 34 180 05 1	4014586612546	HSS-NOVA 25 Annular Cutter Ø 18 x 25 Weldon	02	154
6 31 34 180 05 2	4014586612584	HSS-NOVA 50 Annular Cutter Ø 18 x 50 Weldon	02	155
6 31 34 180 07 5	4014586612553	HSS-DURA 25 Annular Cutter Ø 18 x 25 Weldon TIN	02	156
6 31 34 180 07 6	4014586612591	HSS-DURA 50 Annular Cutter Ø 18 x 50 Weldon TIN	02	156
6 31 34 190 05 1	4014586612690	HSS-NOVA 25 Annular Cutter Ø 19 x 25 Weldon	02	154
6 31 34 190 05 2	4014586612737	HSS-NOVA 50 Annular Cutter Ø 19 x 50 Weldon	02	155
6 31 34 190 05 3	4014586612775	HSS-NOVA 75 Annular Cutter Ø 19 x 75 Weldon	02	155
6 31 34 190 07 5	4014586612706	HSS-DURA 25 Annular Cutter Ø 19 x 25 Weldon TIN	02	156
6 31 34 190 07 6	4014586612744	HSS-DURA 50 Annular Cutter Ø 19 x 50 Weldon TIN	02	156
6 31 34 200 05 1	4014586612843	HSS-NOVA 25 Annular Cutter Ø 20 x 25 Weldon	02	154
6 31 34 200 05 2	4014586612881	HSS-NOVA 50 Annular Cutter Ø 20 x 50 Weldon	02	155
6 31 34 200 05 3	4014586612928	HSS-NOVA 75 Annular Cutter Ø 20 x 75 Weldon	02	155
6 31 34 200 07 5	4014586612850	HSS-DURA 25 Annular Cutter Ø 20 x 25 Weldon TIN	02	156
6 31 34 200 07 6	4014586612898	HSS-DURA 50 Annular Cutter Ø 20 x 50 Weldon TIN	02	156
6 31 34 210 05 1	4014586613109	HSS-NOVA 25 Annular Cutter Ø 21 x 25 Weldon	02	154
6 31 34 210 05 2	4014586613147	HSS-NOVA 50 Annular Cutter Ø 21 x 50 Weldon	02	155
6 31 34 210 05 3	4014586613185	HSS-NOVA 75 Annular Cutter Ø 21 x 75 Weldon	02	155
6 31 34 210 07 5	4014586613116	HSS-DURA 25 Annular Cutter Ø 21 x 25 Weldon TIN	02	156
6 31 34 210 07 6	4014586613154	HSS-DURA 50 Annular Cutter Ø 21 x 50 Weldon TIN	02	156
6 31 34 220 05 1	4014586613192	HSS-NOVA 25 Annular Cutter Ø 22 x 25 Weldon	02	154
6 31 34 220 05 2	4014586613239	HSS-NOVA 50 Annular Cutter Ø 22 x 50 Weldon	02	155
6 31 34 220 05 3	4014586613277	HSS-NOVA 75 Annular Cutter Ø 22 x 75 Weldon	02	155
6 31 34 220 07 5	4014586613208	HSS-DURA 25 Annular Cutter Ø 22 x 25 Weldon TIN	02	156
6 31 34 220 07 6	4014586613246	HSS-DURA 50 Annular Cutter Ø 22 x 50 Weldon TIN	02	156
6 31 34 230 05 1	4014586613383	HSS-NOVA 25 Annular Cutter Ø 23 x 25 Weldon	02	154
6 31 34 230 05 2	4014586613420	HSS-NOVA 50 Annular Cutter Ø 23 x 50 Weldon	02	155
6 31 34 230 05 3	4014586613468	HSS-NOVA 75 Annular Cutter Ø 23 x 75 Weldon	02	155
6 31 34 230 07 5	4014586613390	HSS-DURA 25 Annular Cutter Ø 23 x 25 Weldon TIN	02	156
6 31 34 230 07 6	4014586613437	HSS-DURA 50 Annular Cutter Ø 23 x 50 Weldon TIN	02	156
6 31 34 240 05 1	4014586613475	HSS-NOVA 25 Annular Cutter Ø 24 x 25 Weldon	02	154
6 31 34 240 05 2	4014586613512	HSS-NOVA 50 Annular Cutter Ø 24 x 50 Weldon	02	155
6 31 34 240 05 3	4014586613550	HSS-NOVA 75 Annular Cutter Ø 24 x 75 Weldon	02	155
6 31 34 240 07 5	4014586613482	HSS-DURA 25 Annular Cutter Ø 24 x 25 Weldon TIN	02	156
6 31 34 240 07 6	4014586613529	HSS-DURA 50 Annular Cutter Ø 24 x 50 Weldon TIN	02	156
6 31 34 250 05 1	4014586613611	HSS-NOVA 25 Annular Cutter Ø 25 x 25 Weldon	02	154
6 31 34 250 05 2	4014586613659	HSS-NOVA 50 Annular Cutter Ø 25 x 50 Weldon	02	155
6 31 34 250 05 3	4014586613697	HSS-NOVA 75 Annular Cutter Ø 25 x 75 Weldon	02	155
6 31 34 250 07 5	4014586613628	HSS-DURA 25 Annular Cutter Ø 25 x 25 Weldon TIN	02	156
6 31 34 250 07 6	4014586613666	HSS-DURA 50 Annular Cutter Ø 25 x 50 Weldon TIN	02	156
6 31 34 260 05 1	4014586613703	HSS-NOVA 25 Annular Cutter Ø 26 x 25 Weldon	02	154
6 31 34 260 05 2	4014586613741	HSS-NOVA 50 Annular Cutter Ø 26 x 50 Weldon	02	155
6 31 34 260 05 3	4014586613789	HSS-NOVA 75 Annular Cutter Ø 26 x 75 Weldon	02	155
6 31 34 260 07 5	4014586613710	HSS-DURA 25 Annular Cutter Ø 26 x 25 Weldon TIN	02	156
6 31 34 260 07 6	4014586613758	HSS-DURA 50 Annular Cutter Ø 26 x 50 Weldon TIN	02	156
6 31 34 270 05 1	4014586613796	HSS-NOVA 25 Annular Cutter Ø 27 x 25 Weldon	02	154
6 31 34 270 05 2	4014586613833	HSS-NOVA 50 Annular Cutter Ø 27 x 50 Weldon	02	155
6 31 34 270 05 3	4014586613871	HSS-NOVA 75 Annular Cutter Ø 27 x 75 Weldon	02	155
6 31 34 270 07 5	4014586613802	HSS-DURA 25 Annular Cutter Ø 27 x 25 Weldon TIN	02	156
6 31 34 270 07 6	4014586613840	HSS-DURA 50 Annular Cutter Ø 27 x 50 Weldon TIN	02	156
6 31 34 280 05 1	4014586613888	HSS-NOVA 25 Annular Cutter Ø 28 x 25 Weldon	02	154
6 31 34 280 05 2	4014586613925	HSS-NOVA 50 Annular Cutter Ø 28 x 50 Weldon	02	155
6 31 34 280 05 3	4014586613963	HSS-NOVA 75 Annular Cutter Ø 28 x 75 Weldon	02	155
6 31 34 280 07 5	4014586613895	HSS-DURA 25 Annular Cutter Ø 28 x 25 Weldon TIN	02	156
6 31 34 280 07 6	4014586613932	HSS-DURA 50 Annular Cutter Ø 28 x 50 Weldon TIN	02	156
6 31 34 290 05 1	4014586613970	HSS-NOVA 25 Annular Cutter Ø 29 x 25 Weldon	02	154
6 31 34 290 05 2	4014586614014	HSS-NOVA 50 Annular Cutter Ø 29 x 50 Weldon	02	155
6 31 34 290 05 3	4014586614052	HSS-NOVA 75 Annular Cutter Ø 29 x 75 Weldon	02	155
6 31 34 290 07 5	4014586613987	HSS-DURA 25 Annular Cutter Ø 29 x 25 Weldon TIN	02	156
6 31 34 290 07 6	4014586614021	HSS-DURA 50 Annular Cutter Ø 29 x 50 Weldon TIN	02	156
6 31 34 300 05 1	4014586614205	HSS-NOVA 25 Annular Cutter Ø 30 x 25 Weldon	02	154

Part number	EAN	Description	PC	Page
6 31 34 470 07 6	4014586615714	HSS-DURA 50 Annular Cutter Ø 47 x 50 Weldon TIN	02	156
6 31 34 480 05 1	4014586615745	HSS-NOVA 25 Annular Cutter Ø 48 x 25 Weldon	02	155
6 31 34 480 05 2	4014586615783	HSS-NOVA 50 Annular Cutter Ø 48 x 50 Weldon	02	155
6 31 34 480 07 5	4014586615752	HSS-DURA 25 Annular Cutter Ø 48 x 25 Weldon TIN	02	156
6 31 34 480 07 6	4014586615790	HSS-DURA 50 Annular Cutter Ø 48 x 50 Weldon TIN	02	156
6 31 34 490 05 1	4014586615820	HSS-NOVA 25 Annular Cutter Ø 49 x 25 Weldon	02	155
6 31 34 490 05 2	4014586615868	HSS-NOVA 50 Annular Cutter Ø 49 x 50 Weldon	02	155
6 31 34 490 07 5	4014586615837	HSS-DURA 25 Annular Cutter Ø 49 x 25 Weldon TIN	02	156
6 31 34 490 07 6	4014586615875	HSS-DURA 50 Annular Cutter Ø 49 x 50 Weldon TIN	02	156
6 31 34 500 05 1	4014586615967	HSS-NOVA 25 Annular Cutter Ø 50 x 25 Weldon	02	155
6 31 34 500 05 2	4014586615998	HSS-NOVA 50 Annular Cutter Ø 50 x 50 Weldon	02	155
6 31 34 500 05 3	4014586616025	HSS-NOVA 75 Annular Cutter Ø 50 x 75 Weldon	02	155
6 31 34 500 07 5	4014586615974	HSS-DURA 25 Annular Cutter Ø 50 x 25 Weldon TIN	02	156
6 31 34 500 07 6	4014586616001	HSS-DURA 50 Annular Cutter Ø 50 x 50 Weldon TIN	02	156
6 31 34 510 05 1	4014586616032	HSS-NOVA 25 Annular Cutter Ø 51 x 25 Weldon	02	155
6 31 34 510 05 2	4014586616056	HSS-NOVA 50 Annular Cutter Ø 51 x 50 Weldon	02	155
6 31 34 510 07 5	4014586616049	HSS-DURA 25 Annular Cutter Ø 51 x 25 Weldon TIN	02	156
6 31 34 510 07 6	4014586616063	HSS-DURA 50 Annular Cutter Ø 51 x 50 Weldon TIN	02	156
6 31 34 520 05 1	4014586616070	HSS-NOVA 25 Annular Cutter Ø 52 x 25 Weldon	02	155
6 31 34 520 05 2	4014586616094	HSS-NOVA 50 Annular Cutter Ø 52 x 50 Weldon	02	155
6 31 34 520 07 5	4014586616087	HSS-DURA 25 Annular Cutter Ø 52 x 25 Weldon TIN	02	156
6 31 34 520 07 6	4014586616100	HSS-DURA 50 Annular Cutter Ø 52 x 50 Weldon TIN	02	156
6 31 34 530 05 1	4014586616117	HSS-NOVA 25 Annular Cutter Ø 53 x 25 Weldon	02	155
6 31 34 530 05 2	4014586616131	HSS-NOVA 50 Annular Cutter Ø 53 x 50 Weldon	02	155
6 31 34 530 07 5	4014586616124	HSS-DURA 25 Annular Cutter Ø 53 x 25 Weldon TIN	02	156
6 31 34 530 07 6	4014586616148	HSS-DURA 50 Annular Cutter Ø 53 x 50 Weldon TIN	02	156
6 31 34 540 05 1	4014586616155	HSS-NOVA 25 Annular Cutter Ø 54 x 25 Weldon	02	155
6 31 34 540 05 2	4014586616179	HSS-NOVA 50 Annular Cutter Ø 54 x 50 Weldon	02	155
6 31 34 540 07 5	4014586616162	HSS-DURA 25 Annular Cutter Ø 54 x 25 Weldon TIN	02	156
6 31 34 540 07 6	4014586616186	HSS-DURA 50 Annular Cutter Ø 54 x 50 Weldon TIN	02	156
6 31 34 550 07 5	4014586616209	HSS-DURA 25 Annular Cutter Ø 55 x 25 Weldon TIN	02	156
6 31 34 550 07 6	4014586616223	HSS-DURA 50 Annular Cutter Ø 55 x 50 Weldon TIN	02	156
6 31 34 555 05 1	4014586613284	HSS-NOVA 1" Annular Cutter Ø 2-3/16" x 1" Weldon	02	-
6 31 34 555 05 2	4014586613307	HSS-NOVA 2" Annular Cutter Ø 2-3/16" x 2" Weldon	02	-
6 31 34 555 05 3	4014586613321	HSS-NOVA 3" Annular Cutter Ø 2-3/16" x 3" Weldon	02	-
6 31 34 560 05 1	4014586616247	HSS-NOVA 25 Annular Cutter Ø 56 x 25 Weldon	02	155
6 31 34 560 05 2	4014586616261	HSS-NOVA 50 Annular Cutter Ø 56 x 50 Weldon	02	155
6 31 34 560 07 5	4014586616254	HSS-DURA 25 Annular Cutter Ø 56 x 25 Weldon TIN	02	156
6 31 34 560 07 6	4014586616278	HSS-DURA 50 Annular Cutter Ø 56 x 50 Weldon TIN	02	156
6 31 34 570 05 1	4014586616285	HSS-NOVA 25 Annular Cutter Ø 57 x 25 Weldon	02	155
6 31 34 570 05 2	4014586616308	HSS-NOVA 50 Annular Cutter Ø 57 x 50 Weldon	02	155
6 31 34 570 07 5	4014586616292	HSS-DURA 25 Annular Cutter Ø 57 x 25 Weldon TIN	02	156
6 31 34 570 07 6	4014586616315	HSS-DURA 50 Annular Cutter Ø 57 x 50 Weldon TIN	02	156
6 31 34 580 05 1	4014586616322	HSS-NOVA 25 Annular Cutter Ø 58 x 25 Weldon	02	155
6 31 34 580 05 2	4014586616346	HSS-NOVA 50 Annular Cutter Ø 58 x 50 Weldon	02	155
6 31 34 580 07 5	4014586616339	HSS-DURA 25 Annular Cutter Ø 58 x 25 Weldon TIN	02	156
6 31 34 580 07 6	4014586616353	HSS-DURA 50 Annular Cutter Ø 58 x 50 Weldon TIN	02	156
6 31 34 590 05 1	4014586616360	HSS-NOVA 25 Annular Cutter Ø 59 x 25 Weldon	02	155
6 31 34 590 05 2	4014586616384	HSS-NOVA 50 Annular Cutter Ø 59 x 50 Weldon	02	155
6 31 34 590 07 5	4014586616377	HSS-DURA 25 Annular Cutter Ø 59 x 25 Weldon TIN	02	156
6 31 34 590 07 6	4014586616391	HSS-DURA 50 Annular Cutter Ø 59 x 50 Weldon TIN	02	156
6 31 34 600 05 1	4014586616407	HSS-NOVA 25 Annular Cutter Ø 60 x 25 Weldon	02	155
6 31 34 600 05 2	4014586616421	HSS-NOVA 50 Annular Cutter Ø 60 x 50 Weldon	02	155
6 31 34 600 05 3	4014586616445	HSS-NOVA 75 Annular Cutter Ø 60 x 75 Weldon	02	155
6 31 34 600 07 5	4014586616414	HSS-DURA 25 Annular Cutter Ø 60 x 25 Weldon TIN	02	156
6 31 34 600 07 6	4014586616438	HSS-DURA 50 Annular Cutter Ø 60 x 50 Weldon TIN	02	156
6 31 34 999 06 1	4014586375588	Best of core bits HSS NOVA 25 W 12,14,16,18,20,22 mm accessory set	02	154
6 31 34 999 06 2	4014586375595	Best of core bits HSS NOVA 25 W 2x 14 mm, 2x 18 mm accessory set	02	154
6 31 34 999 06 3	4014586375601	Best of core bits HSS NOVA 50 W 12,14,16,18,20,22 mm accessory set	02	154
6 31 34 999 06 4	4014586375618	Best of core bits HSS NOVA 50 W 2x 14 mm, 2x 18 mm accessory set	02	154
6 32 02 003 01 4	4014586176925	Key-type drill chucks	02	-
6 32 02 022 01 8	4014586176956	Key-type drill chucks	02	73
6 32 02 028 01 9	4014586176963	Key-type drill chucks	02	-
6 32 02 030 01 5	4014586176987	Key-type drill chucks	02	151
6 32 02 037 01 0	4014586177007	Key-type drill chucks	02	73
6 32 02 043 01 0	4014586177038	Key-type drill chucks	02	56
6 32 02 044 01 8	4014586223674	Key-type drill chucks	02	56
6 32 03 034 01 0	4014586177052	Key-type drill chucks	02	72
6 32 03 041 01 4	4014586177083	Key-type drill chucks	02	72
6 32 03 050 01 4	4014586204291	Key-type drill chucks	02	-
6 32 04 016 00 7	4014586177212	Quick-action chucks	02	73
6 32 04 017 00 1	4014586177229	Quick-action chucks	02	73
6 32 04 020 00 5	4014586177250	Quick-action chucks	02	-
6 32 04 021 00 4	4014586177267	Quick-action chucks	02	-
6 32 04 025 00 3	4014586177281	Quick-action chucks	02	73
6 32 04 028 00 8	4014586177311	Quick-action chucks	02	-

Part number	EAN	Description	PC	Page
6 32 04 030 00 4	4014586177335	Quick-action chucks	02	-
6 32 04 032 00 6	4014586177359	Quick-action chucks	02	151
6 32 05 029 00 3	4014586224718	Chuck w/o key	02	-
6 32 05 031 01 3	4014586256788	Quick-action chucks	02	-
6 32 05 032 01 6	4014586256795	Quick-action chucks	02	-
6 32 05 033 01 0	4014586266084	Quick-action chucks	02	72
6 32 05 034 01 8	4014586266923	Quick-action chucks	02	-
6 32 05 035 01 0	4014586321721	Quick-action chucks	02	56
6 32 05 036 01 0	4014586321738	Quick-action chucks	02	56
6 32 05 037 02 0	4014586365091	Drill chuck	02	-
6 32 05 038 01 0	4014586368870	Quick-action chucks	02	151
6 32 06 018 00 5	4014586177410	Jaw chuck	02	-
6 32 06 018 01 0	4014586336459	Jaw chuck	02	151
6 32 06 019 00 9	4014586177427	Jaw chuck	02	79
6 32 06 040 00 9	4014586177441	Floating jaw chuck	02	-
6 32 06 041 00 8	4014586177458	Floating jaw chuck	02	79
6 32 06 061 02 1	4014586177465	Floating jaw chuck	02	-
6 32 06 063 01 2	4014586177489	Collet chuck	02	79
6 32 06 064 00 1	4014586177496	Collets, Ø 3.5 mm	02	79
6 32 06 065 00 5	4014586177502	Collets, Ø 4.5 mm	02	151
6 32 06 066 00 8	4014586177519	Collets, Ø 6 mm	02	151
6 32 06 067 01 1	4014586177526	Collet chuck	02	-
6 32 06 067 02 0	4014586336749	Collet chuck	02	151
6 32 06 070 00 6	4014586177533	Collets	02	151
6 32 06 075 00 4	4014586177588	Collet, Ø 9 mm	02	151
6 32 06 076 02 2	4014586177595	Floating collet chuck	02	79
6 32 06 077 00 1	4014586177601	Collet, Ø 2.8 mm	02	79
6 32 06 078 00 9	4014586177618	Collet, Ø 8 mm	02	151
6 32 06 079 00 3	4014586177625	Collet, Ø 10 mm	02	151
6 32 06 095 01 1	4014586224350	Tapping insert M6	02	170
6 32 06 096 01 4	4014586224367	Tapping insert M10	02	170
6 32 06 097 01 8	4014586224374	Tapping insert M12	02	170
6 32 06 098 01 6	4014586224381	Tapping insert M14	02	170
6 32 06 099 01 0	4014586224398	Tapping insert M16	02	170
6 32 06 100 01 1	4014586224404	Tapping insert M18	02	170
6 32 06 101 01 0	4014586224411	Tapping insert M20	02	170
6 32 06 102 01 3	4014586229294	Tapping insert M8 w/clutch	02	170
6 32 06 103 01 7	4014586229300	Tapping insert M10 w/clutch	02	170
6 32 06 104 01 5	4014586229317	Tapping insert M12 w/clutch	02	170
6 32 06 105 01 9	4014586229324	Tapping insert M14 w/clutch	02	170
6 32 06 106 01 2	4014586229331	Tapping insert M16 w/clutch	02	170
6 32 06 107 01 6	4014586229348	Tapping insert M18 w/clutch	02	170
6 32 06 108 01 4	4014586229355	Tapping insert M20 w/clutch	02	170
6 32 06 117 01 5	4014586253459	Tapping insert M6	02	170
6 32 06 118 01 3	4014586253466	Tapping insert M6 w/clutch	02	170
6 32 06 119 01 0	4014586298689	Tapping insert M22/ M24	02	173
6 32 06 120 01 0	4014586298696	Tapping insert M27	02	173
6 32 06 122 01 0	4014586298719	Tapping insert M22/ M24 with coupling	02	173
6 32 06 123 01 0	4014586298726	Tapping insert M27 with coupling	02	173
6 32 06 125 01 0	4014586298740	Interchangeable reducing insert	02	173
6 32 06 138 01 0	4014586354446	Tapping insert M8	02	170
6 32 06 139 01 0	4014586354453	Tapping insert M10	02	170
6 32 06 140 01 0	4014586354460	Tapping insert M8 w/clutch	02	170
6 32 06 141 01 0	4014586354477	Tapping insert M10 w/clutch	02	170
6 32 07 059 00 6	4014586177786	Collet, Ø 6 mm	02	107
6 32 07 069 00 5	4014586177793	Collet, Ø 8 mm	02	107
6 32 07 087 00 1	4014586177809	Collet, Ø 3 mm	02	107
6 32 07 088 00 9	4014586177816	Collet, Ø 1/4"	02	107
6 32 07 097 00 0	4014586177861	Collets, Ø 3 mm	02	107
6 32 07 103 00 9	4014586177922	Collets, Ø 6 mm	02	107
6 32 07 128 00 0	4014586375922	Collet, Ø 6 mm	02	107
6 32 07 129 00 0	4014586375939	Collet, Ø 8 mm	02	107
6 32 07 130 00 0	4014586375946	Collet, Ø 3 mm	02	107
6 32 07 131 00 0	4014586375953	Collet, Ø 1/4"	02	107
6 32 07 132 00 0	4014586375960	Collet, Ø 3 Inox	02	107
6 32 07 133 00 0	4014586375977	Collet, Ø 6 Inox	02	107
6 32 07 134 00 0	4014586375984	Collet, Ø 8 Inox	02	107
6 32 07 135 00 0	4014586375991	Collet, Ø 1/4" Inox	02	107
6 32 08 001 02 0	4014586368153	Drill chuck	02	12
6 32 08 002 01 0	4014586392080	Drill chuck	02	12
6 33 01 006 00 5	4014586178103	Morse taper arbors	02	-
6 33 01 008 00 7	4014586178110	Morse taper arbors	02	-
6 33 01 012 00 5	4014586178141	Morse taper arbors	02	73
6 33 01 014 00 7	4014586178165	Morse taper arbors	02	73
6 33 01 016 00 4	4014586178172	Morse taper arbors	02	73
6 33 01 021 00 1	4014586223704	Morse taper arbors	02	-



Part number	EAN	Description	PC	Page
6 33 02 002 00 0	4014586178189	Reducing sleeves	02	–
6 33 02 003 00 4	4014586178196	Reducing sleeves	02	73
6 33 02 004 00 2	4014586178202	Reducing sleeves	02	73
6 33 04 003 00 2	4014586178226	Enlargement tapers	02	–
6 33 04 004 00 0	4014586178233	Enlargement tapers	02	73
6 33 04 005 00 0	4014586312996	Enlargement tapers	02	172
6 33 05 003 00 3	4014586178257	Drift keys	02	73
6 33 05 004 00 1	4014586178264	Drift keys	02	73
6 33 05 006 00 8	4014586178288	Drift keys	02	144
6 33 05 009 01 3	4014586230627	Drifts	02	79
6 33 05 010 01 5	4014586230634	Drifts	02	–
6 33 05 013 00 2	4014586178318	Key	08	–
6 34 02 027 00 0	4014586199672	Ratchet w/ square head	02	–
6 35 02 022 00 6	4014586178417	Circular saw blade	08	–
6 35 02 037 00 8	4014586178448	Saw blade	08	–
6 35 02 041 00 1	4014586178455	Saw blade	08	–
6 35 02 050 00 1	4014586178462	Saw blade	08	–
6 35 02 053 00 7	4014586178479	Saw blade	08	–
6 35 02 061 00 9	4014586178493	Saw blade	08	–
6 35 02 080 00 8	4014586178585	Saw blade	08	–
6 35 02 084 00 2	4014586178608	Saw blade	08	–
6 35 02 097 21 0	4014586389431	HSS saw blade round SL Ø 85 (1)	04	214
6 35 02 097 22 0	4014586389448	HSS saw blade round SL Ø 85 (2)	04	214
6 35 02 097 23 0	4014586389455	HSS saw blade round SL Ø 85 (5)	04	214
6 35 02 098 00 0	4014586178745	Saw blade	08	–
6 35 02 099 00 4	4014586178752	Saw blade	08	–
6 35 02 102 01 6	4014586178783	HSS saw blade, circular, Ø 63, 2-pack	04	225
6 35 02 102 07 0	4014586291703	HSS saw blade, circular, Ø 63, 5-pack	04	225
6 35 02 103 01 0	4014586178806	HSS saw blade, circular, Ø 80, 2-pack	04	225
6 35 02 103 05 0	4014586291710	Saw blade, circular, 5-pack	04	225
6 35 02 106 21 0	4014586389462	HSS saw blade segmented SL Ø 85 (1)	04	214
6 35 02 106 22 0	4014586389479	HSS saw blade segmented SL Ø 85 (2)	04	214
6 35 02 106 23 0	4014586389486	HSS saw blade segmented SL Ø 85 (5)	04	214
6 35 02 113 21 0	4014586390222	Saw blade segmented SL Ø 85	04	214
6 35 02 114 21 0	4014586390239	Diamond-coated saw blade segmented SL Ø 75 x 2,2 (1)	04	219
6 35 02 114 23 0	4014586390246	Diamond-coated saw blade segmented SL Ø 75 x 2,2 (5)	04	219
6 35 02 115 01 1	4014586231914	Saw blade, single	04	228
6 35 02 115 03 0	4014586315058	Saw blade (5 each)	04	228
6 35 02 116 01 4	4014586231921	Saw blade, single	04	228
6 35 02 116 02 0	4014586315065	Saw blade (5 each)	04	228
6 35 02 118 21 0	4014586389493	Carbide saw blade segmented SL Ø 75 x 2,2 (1)	04	218
6 35 02 118 23 0	4014586389509	Carbide saw blade segmented SL Ø 75 x 2,2 (5)	04	218
6 35 02 119 01 0	4014586232348	Precision E-Cut saw blade, 1-pack	04	226
6 35 02 119 03 2	4014586258829	Precision E-Cut saw blade, 25-pack	04	226
6 35 02 119 04 8	4014586264561	Precision E-Cut saw blade, 5-pack	04	226
6 35 02 120 01 2	4014586232355	Precision E-Cut saw blade, 1-pack	04	226
6 35 02 120 03 4	4014586258836	Precision E-Cut saw blade, 25-pack	04	226
6 35 02 120 04 0	4014586264578	Precision E-Cut saw blade, 5-pack	04	226
6 35 02 121 01 1	4014586232362	Precision E-Cut saw blade, 1-pack	04	226
6 35 02 121 03 3	4014586258843	Precision E-Cut saw blade, 25-pack	04	226
6 35 02 121 04 9	4014586264585	Precision E-Cut saw blade, 5-pack	04	226
6 35 02 122 01 4	4014586232379	Precision E-Cut saw blade, 1-pack	04	226
6 35 02 122 03 6	4014586258850	Precision E-Cut saw blade, 25-pack	04	226
6 35 02 122 04 2	4014586264592	Precision E-Cut saw blade, 5-pack	04	226
6 35 02 123 01 8	4014586232386	Standard E-Cut saw blade, 1-pack	04	225
6 35 02 123 03 0	4014586250793	Standard E-Cut saw blade, 25-pack	04	225
6 35 02 123 04 6	4014586264608	Standard E-Cut saw blade, 5-pack	04	225
6 35 02 124 01 6	4014586232393	Standard E-Cut saw blade, 1-pack	04	225
6 35 02 124 03 8	4014586250809	Standard E-Cut saw blade, 25-pack	04	225
6 35 02 124 04 4	4014586264615	Standard E-Cut saw blade, 5-pack	04	225
6 35 02 125 21 0	4014586389516	Carbide saw blade segmented SL Ø 75 x 1,2 (1)	04	218
6 35 02 125 23 0	4014586389523	Carbide saw blade segmented SL Ø 75 x 1,2 (5)	04	218
6 35 02 126 21 0	4014586386157	E-Cut precision saw blade SL 50 x 35 (1)	04	215
6 35 02 126 22 0	4014586386164	E-Cut precision saw blade SL 50 x 35 (3)	04	215
6 35 02 126 23 0	4014586386171	E-Cut precision saw blade SL 50 x 35 (5)	04	215
6 35 02 126 24 0	4014586386188	E-Cut precision saw blade SL 50 x 35 (10)	04	215
6 35 02 126 25 0	4014586390260	E-Cut precision saw blade SL 50 x 35 (50)	04	215
6 35 02 127 21 0	4014586386232	E-Cut precision saw blade SLP 50 x 65 (1)	04	216
6 35 02 127 22 0	4014586386249	E-Cut precision saw blade SLP 50 x 65 (3)	04	216
6 35 02 127 23 0	4014586386256	E-Cut precision saw blade SLP 50 x 65 (5)	04	216
6 35 02 127 24 0	4014586386263	E-Cut precision saw blade SLP 50 x 65 (10)	04	216
6 35 02 127 25 0	4014586390291	E-Cut precision saw blade SLP 50 x 65 (50)	04	216
6 35 02 133 21 0	4014586386317	E-Cut standard saw blade SL 50 x 35 (1)	04	215
6 35 02 133 22 0	4014586386324	E-Cut standard saw blade SL 50 x 35 (3)	04	215
6 35 02 133 23 0	4014586386331	E-Cut standard saw blade SL 50 x 35 (5)	04	215
6 35 02 133 24 0	4014586386348	E-Cut standard saw blade SL 50 x 35 (10)	04	215

Part number	EAN	Description	PC	Page
6 35 02 133 25 0	4014586390321	E-CUT standard saw blade SL 50 x 35 (50)	04	215
6 35 02 134 21 0	4014586386393	E-CUT standard saw blade SLP 50 x 65 (1)	04	215
6 35 02 134 22 0	4014586386409	E-CUT standard saw blade SLP 50 x 65 (3)	04	215
6 35 02 134 23 0	4014586386416	E-CUT standard saw blade SLP 50 x 65 (5)	04	215
6 35 02 134 24 0	4014586386423	E-CUT standard saw blade SLP 50 x 65 (10)	04	215
6 35 02 134 25 0	4014586390352	E-CUT standard saw blade SLP 50 x 65 (50)	04	215
6 35 02 135 01 9	4014586248486	Standard E-CUT saw blade, 1-pack	04	226
6 35 02 135 02 5	4014586258867	Standard E-CUT saw blade, 25-pack	04	226
6 35 02 135 03 1	4014586264622	Standard E-CUT saw blade, 5-pack	04	226
6 35 02 136 01 2	4014586248493	Standard E-CUT saw blade, 1-pack	04	226
6 35 02 136 02 8	4014586258874	Standard E-CUT saw blade, 25-pack	04	226
6 35 02 136 03 4	4014586264639	Standard E-CUT saw blade, 5-pack	04	226
6 35 02 138 01 4	4014586252247	M-CUT saw blade 2 pcs.	04	227
6 35 02 146 01 1	4014586259437	Diamond wheel, Ø 180 mm	02	145
6 35 02 147 01 5	4014586262321	Universal E-CUT saw blades	04	226
6 35 02 147 02 1	4014586264646	Universal E-CUT saw blades, 5-pack	04	226
6 35 02 147 03 7	4014586264721	Universal E-CUT saw blades, 25-pack	04	226
6 35 02 147 12 0	4014586369655	Best of E-CUT accessory set	04	225
6 35 02 148 01 3	4014586262338	Universal E-CUT saw blades	04	226
6 35 02 148 02 9	4014586264653	Universal E-CUT saw blades, 5-pack	04	226
6 35 02 148 03 5	4014586264738	Universal E-CUT saw blades, 25-pack	04	226
6 35 02 151 21 0	4014586386461	E-CUT universal saw blade SLP 60 x 28 (1)	04	216
6 35 02 151 22 0	4014586386478	E-CUT universal saw blade SLP 60 x 28 (3)	04	216
6 35 02 151 23 0	4014586386485	E-CUT universal saw blade SLP 60 x 28 (5)	04	216
6 35 02 151 24 0	4014586386492	E-CUT universal saw blade SLP 60 x 28 (10)	04	216
6 35 02 151 25 0	4014586390390	E-CUT universal saw blade SLP 60 x 28 (50)	04	216
6 35 02 152 21 0	4014586386539	E-CUT universal saw blade SLP 60 x 44 (1)	04	216
6 35 02 152 22 0	4014586386546	E-CUT universal saw blade SLP 60 x 44 (3)	04	216
6 35 02 152 23 0	4014586386553	E-CUT universal saw blade SLP 60 x 44 (5)	04	216
6 35 02 152 24 0	4014586386560	E-CUT universal saw blade SLP 60 x 44 (10)	04	216
6 35 02 152 25 0	4014586390437	E-CUT universal saw blade SLP 60 x 44 (50)	04	216
6 35 02 155 01 0	4014586291956	HM saw blade 1-pack	04	227
6 35 02 155 02 0	4014586294186	HM saw blade 5-pack	04	227
6 35 02 156 01 0	4014586291963	HM saw blade 1-pack	04	227
6 35 02 156 02 0	4014586294209	HM saw blade 5-pack	04	227
6 35 02 157 21 0	4014586386614	E-CUT fine saw blade SL 50 x 30 (1)	04	216
6 35 02 157 22 0	4014586386621	E-CUT fine saw blade SL 50 x 30 (3)	04	216
6 35 02 157 23 0	4014586386638	E-CUT fine saw blade SL 50 x 30 (5)	04	216
6 35 02 157 24 0	4014586386645	E-CUT fine saw blade SL 50 x 30 (10)	04	216
6 35 02 157 25 0	4014586390451	E-CUT fine saw blade SL 50 x 30 (50)	04	216
6 35 02 158 01 0	4014586304892	M-CUT saw blade 2 pcs.	04	227
6 35 02 160 21 0	4014586386690	E-CUT long-life saw blade SL 50 x 35 (1)	04	215
6 35 02 160 22 0	4014586386706	E-CUT long-life saw blade SL 50 x 35 (3)	04	215
6 35 02 160 23 0	4014586386713	E-CUT long-life saw blade SL 50 x 35 (5)	04	215
6 35 02 160 24 0	4014586386720	E-CUT long-life saw blade SL 50 x 35 (10)	04	215
6 35 02 160 25 0	4014586390482	E-CUT long-life saw blade SL 50 x 35 (50)	04	215
6 35 02 161 21 0	4014586386775	E-CUT long-life saw blade SLP 50 x 65 (1)	04	215
6 35 02 161 22 0	4014586386782	E-CUT long-life saw blade SLP 50 x 65 (3)	04	215
6 35 02 161 23 0	4014586386799	E-CUT long-life saw blade SLP 50 x 65 (5)	04	215
6 35 02 161 24 0	4014586386805	E-CUT long-life saw blade SLP 50 x 65 (10)	04	215
6 35 02 161 25 0	4014586390512	E-CUT long-life saw blade SLP 50 x 65 (50)	04	215
6 35 02 162 01 0	4014586336008	E-CUT long-life saw blade pack of 1	04	225
6 35 02 162 02 0	4014586336015	E-CUT long-life saw blade pack of 5	04	225
6 35 02 162 03 0	4014586336022	E-CUT long-life saw blade pack of 25	04	225
6 35 02 162 15 0	4014586376295	Best of E-CUT accessory set XXL	04	225
6 35 02 163 01 0	4014586336039	E-CUT long-life saw blade pack of 1	04	225
6 35 02 163 02 0	4014586336046	E-CUT long-life saw blade pack of 5	04	225
6 35 02 163 03 0	4014586336053	E-CUT long-life saw blade pack of 25	04	225
6 35 02 164 01 0	4014586336060	E-CUT long-life saw blade pack of 1	04	225
6 35 02 164 02 0	4014586336077	E-CUT long-life saw blade pack of 5	04	225
6 35 02 164 03 0	4014586336084	E-CUT long-life saw blade pack of 25	04	225
6 35 02 165 01 0	4014586336091	E-CUT long-life saw blade pack of 1	04	225
6 35 02 165 02 0	4014586336107	E-CUT long-life saw blade pack of 5	04	225
6 35 02 165 03 0	4014586336114	E-CUT long-life saw blade pack of 25	04	225
6 35 02 166 21 0	4014586390536	Diamond-coated saw blade segmented SLP Ø 90 x 2,2 (1)	04	219
6 35 02 166 23 0	4014586390543	Diamond-coated saw blade segmented SLP Ø 90 x 2,2 (5)	04	219
6 35 02 167 01 0	4014586342023	Diamond-coated saw blade	04	228
6 35 02 167 02 0	4014586342030	Diamond-coated saw blade, 5-pack	04	228
6 35 02 168 01 0	4014586342047	Diamond-coated saw blade	04	228
6 35 02 168 02 0	4014586342054	Diamond-coated saw blade, 5-pack	04	228
6 35 02 169 21 0	4014586390550	Carbide saw blade segmented SLP Ø 90 x 2,2 (1)	04	218
6 35 02 169 23 0	4014586390567	Carbide saw blade segmented SLP Ø 90 x 2,2 (5)	04	218
6 35 02 170 21 0	4014586390574	Carbide saw blade segmented SLP Ø 90 x 1,2 (1)	04	218
6 35 02 170 23 0	4014586390581	Carbide saw blade segmented SLP Ø 90 x 1,2 (5)	04	218
6 35 02 171 01 0	4014586347677	Carbide segment saw blade	04	-
6 35 02 171 02 0	4014586347684	Carbide segment saw blade	04	-



Part number	EAN	Description	PC	Page
6 35 02 172 01 0	4014586347691	HM saw blade 1-pack	04	227
6 35 02 172 02 0	4014586347707	HM saw blade 5-pack	04	227
6 35 02 173 01 0	4014586347714	HM saw blade 1-pack	04	227
6 35 02 173 02 0	4014586347721	HM saw blade 5-pack	04	227
6 35 02 174 21 0	4014586389530	HSS saw blade round SL Ø 85 x 0,7 (1)	04	214
6 35 02 174 23 0	4014586389547	HSS saw blade round SL Ø 85 x 0,7 (5)	04	214
6 35 02 175 21 0	4014586389554	HSS saw blade round SLP Ø 100 x 0,7 (1)	04	214
6 35 02 175 23 0	4014586389561	HSS saw blade round SLP Ø 100 x 0,7 (5)	04	214
6 35 02 176 21 0	4014586389578	HSS saw blade round SLP Ø 100 x 0,8 (1)	04	214
6 35 02 177 01 0	4014586379494	Saw blade, single	04	225
6 35 02 177 05 0	4014586379500	HSS saw blade pack of 5	04	225
6 35 02 178 01 0	4014586379517	Saw blade, single	04	225
6 35 02 178 05 0	4014586379524	HSS saw blade pack of 5	04	225
6 35 02 179 01 0	4014586379272	HSS single saw blade, wood	04	226
6 35 02 179 02 0	4014586379289	Set with depth stop	04	226
6 35 02 181 00 0	4014586354606	Circular saw blade	08	-
6 35 02 183 21 0	4014586386850	E-Cut long-life saw blade SL 34 x 20 (1)	04	214
6 35 02 183 22 0	4014586386867	E-Cut long-life saw blade SL 34 x 20 (3)	04	214
6 35 02 183 23 0	4014586386874	E-Cut long-life saw blade SL 34 x 20 (5)	04	214
6 35 02 183 24 0	4014586386881	E-Cut long-life saw blade SL 34 x 20 (10)	04	214
6 35 02 183 25 0	4014586390604	E-Cut long-life saw blade SL 34 x 20 (50)	04	214
6 35 02 184 21 0	4014586386935	E-Cut long-life saw blade SL 30 x 10 (1)	04	214
6 35 02 184 22 0	4014586386942	E-Cut long-life saw blade SL 30 x 10 (3)	04	214
6 35 02 184 23 0	4014586386959	E-Cut long-life saw blade SL 30 x 10 (5)	04	214
6 35 02 184 24 0	4014586386966	E-Cut long-life saw blade SL 30 x 10 (10)	04	214
6 35 02 184 25 0	4014586390635	E-Cut long-life saw blade SL 30 x 10 (50)	04	214
6 35 02 185 01 0	4014586369723	E-Cut long-life saw blade pack of 1	04	225
6 35 02 185 02 0	4014586369730	E-Cut long-life saw blade pack of 5	04	225
6 35 02 185 03 0	4014586369747	E-Cut long-life saw blade pack of 25	04	225
6 35 02 186 01 0	4014586369754	E-Cut long-life saw blade pack of 1	04	225
6 35 02 186 02 0	4014586369761	E-Cut long-life saw blade pack of 5	04	225
6 35 02 186 03 0	4014586369778	E-Cut long-life saw blade pack of 25	04	225
6 35 02 187 21 0	4014586390659	Carbide saw blade segmented SLP Ø 90	04	216
6 35 02 188 01 0	4014586377520	Diamond segment saw blade with open teeth	04	-
6 35 02 188 21 0	4014586390666	Diamond-coated saw blade segmented SLP Ø 90	04	216
6 35 02 189 01 0	4014586377537	Carbide saw blade with open teeth	04	227
6 35 02 190 01 0	4014586377544	Diamond segment saw blade with open teeth	04	227
6 35 02 191 21 0	4014586389585	E-Cut carbide saw blade SLP 50 x 35	04	216
6 35 02 192 01 0	4014586378152	E-Cut carbide saw blade	04	227
6 35 02 193 21 0	4014586389592	E-Cut diamond saw blade SLP 50 x 35	04	216
6 35 02 194 01 0	4014586378176	E-Cut diamond saw blade	04	227
6 35 02 195 01 0	4014586378183	E-Cut diamond saw blade	04	227
6 35 02 196 01 0	4014586379531	Saw blade, single	04	225
6 35 02 196 05 0	4014586379548	Saw blade (5 each)	04	225
6 35 02 196 21 0	4014586389608	HSS saw blade segmented SLP Ø 100 x 0,7 (1)	04	214
6 35 02 196 23 0	4014586389615	HSS saw blade segmented SLP Ø 100 x 0,7 (5)	04	214
6 35 02 198 21 0	4014586387017	E-Cut precision saw blade SLP 50 x 45 (1)	04	215
6 35 02 198 22 0	4014586387024	E-Cut precision saw blade SLP 50 x 45 (3)	04	215
6 35 02 198 23 0	4014586387031	E-Cut precision saw blade SLP 50 x 45 (5)	04	215
6 35 02 198 24 0	4014586387048	E-Cut precision saw blade SLP 50 x 45 (10)	04	215
6 35 02 198 25 0	4014586390673	E-Cut precision saw blade SLP 50 x 45 (50)	04	215
6 35 02 199 21 0	4014586387093	E-Cut precision saw blade SLP 50 x 55 (1)	04	215
6 35 02 199 22 0	4014586387109	E-Cut precision saw blade SLP 50 x 55 (3)	04	215
6 35 02 199 23 0	4014586387116	E-Cut precision saw blade SLP 50 x 55 (5)	04	215
6 35 02 199 24 0	4014586387123	E-Cut precision saw blade SLP 50 x 55 (10)	04	215
6 35 02 199 25 0	4014586390697	E-Cut precision saw blade SLP 50 x 55 (50)	04	215
6 35 02 200 21 0	4014586387178	E-Cut standard saw blade SLM 78 x 32 (1)	04	221
6 35 02 200 22 0	4014586387185	E-Cut standard saw blade SLM 78 x 32 (3)	04	221
6 35 02 200 23 0	4014586387192	E-Cut standard saw blade SLM 78 x 32 (5)	04	221
6 35 02 200 24 0	4014586387208	E-Cut standard saw blade SLM 78 x 32 (10)	04	221
6 35 02 200 25 0	4014586390710	E-Cut standard saw blade SLM 78 x 32 (50)	04	221
6 35 02 201 21 0	4014586387253	E-Cut long-life saw blade SLM 78 x 32 (1)	04	221
6 35 02 201 22 0	4014586387260	E-Cut long-life saw blade SLM 78 x 32 (3)	04	221
6 35 02 201 23 0	4014586387277	E-Cut long-life saw blade SLM 78 x 32 (5)	04	221
6 35 02 201 24 0	4014586387284	E-Cut long-life saw blade SLM 78 x 32 (10)	04	221
6 35 02 201 25 0	4014586390734	E-Cut long-life saw blade SLM 78 x 32 (50)	04	221
6 35 02 202 21 0	4014586387338	E-Cut standard saw blade SLM 78 x 42 (1)	04	221
6 35 02 202 22 0	4014586387345	E-Cut standard saw blade SLM 78 x 42 (3)	04	221
6 35 02 202 23 0	4014586387352	E-Cut standard saw blade SLM 78 x 42 (5)	04	221
6 35 02 202 24 0	4014586387369	E-Cut standard saw blade SLM 78 x 42 (10)	04	221
6 35 02 202 25 0	4014586390802	E-Cut standard saw blade SLM 78 x 42 (50)	04	221
6 35 02 203 21 0	4014586387413	E-Cut long-life saw blade SLM 78 x 42 (1)	04	221
6 35 02 203 22 0	4014586387420	E-Cut long-life saw blade SLM 78 x 42 (3)	04	221
6 35 02 203 23 0	4014586387437	E-Cut long-life saw blade SLM 78 x 42 (5)	04	221
6 35 02 203 24 0	4014586387444	E-Cut long-life saw blade SLM 78 x 42 (10)	04	221
6 35 02 203 25 0	4014586390826	E-Cut long-life saw blade SLM 78 x 42 (50)	04	221

Part number	EAN	Description	PC	Page
6 35 02 204 21 0	4014586389622	E-Cut diamond saw blade SLM 60 x 44	04	221
6 35 02 205 21 0	4014586387499	E-Cut precision BIM saw blade SL 50 x 35 (1)	04	215
6 35 02 205 22 0	4014586387505	E-Cut precision BIM saw blade SL 50 x 35 (3)	04	215
6 35 02 205 23 0	4014586387512	E-Cut precision BIM saw blade SL 50 x 35 (5)	04	215
6 35 02 205 24 0	4014586387529	E-Cut precision BIM saw blade SL 50 x 35 (10)	04	215
6 35 02 205 25 0	4014586390840	E-Cut precision BIM saw blade SL 50 x 35 (50)	04	215
6 35 02 206 21 0	4014586387574	E-Cut precision BIM saw blade SLP 50 x 45 (1)	04	215
6 35 02 206 22 0	4014586387581	E-Cut precision BIM saw blade SLP 50 x 45 (3)	04	215
6 35 02 206 23 0	4014586387598	E-Cut precision BIM saw blade SLP 50 x 45 (5)	04	215
6 35 02 206 24 0	4014586387604	E-Cut precision BIM saw blade SLP 50 x 45 (10)	04	215
6 35 02 206 25 0	4014586390864	E-Cut precision BIM saw blade SLP 50 x 45 (50)	04	215
6 35 02 207 21 0	4014586387659	E-Cut precision BIM saw blade SLP 50 x 55 (1)	04	215
6 35 02 207 22 0	4014586387666	E-Cut precision BIM saw blade SLP 50 x 55 (3)	04	215
6 35 02 207 23 0	4014586387673	E-Cut precision BIM saw blade SLP 50 x 55 (5)	04	215
6 35 02 207 24 0	4014586387680	E-Cut precision BIM saw blade SLP 50 x 55 (10)	04	215
6 35 02 207 25 0	4014586390888	E-Cut precision BIM saw blade SLP 50 x 55 (50)	04	215
6 35 02 208 21 0	4014586387734	E-Cut precision BIM saw blade SLP 50 x 65 (1)	04	215
6 35 02 208 22 0	4014586387741	E-Cut precision BIM saw blade SLP 50 x 65 (3)	04	215
6 35 02 208 23 0	4014586387758	E-Cut precision BIM saw blade SLP 50 x 65 (5)	04	215
6 35 02 208 24 0	4014586387765	E-Cut precision BIM saw blade SLP 50 x 65 (10)	04	215
6 35 02 208 25 0	4014586390901	E-Cut precision BIM saw blade SLP 50 x 65 (50)	04	215
6 35 02 209 01 0	4014586381602	E-Cut precision BIM saw blade (35 mm) VE1	04	226
6 35 02 209 02 0	4014586381619	E-Cut precision BIM saw blade (35 mm) VE5	04	226
6 35 02 209 03 0	4014586381626	E-Cut Precision BIM saw blade (35 mm) VE25	04	226
6 35 02 210 01 0	4014586381633	E-Cut precision BIM saw blade (45 mm) VE1	04	226
6 35 02 210 02 0	4014586381640	E-Cut precision BIM saw blade (45 mm) VE5	04	226
6 35 02 210 03 0	4014586381657	E-Cut precision BIM saw blade (45 mm) VE25	04	226
6 35 02 211 01 0	4014586381664	E-Cut precision BIM saw blade (55 mm) VE1	04	226
6 35 02 211 02 0	4014586381671	E-Cut precision BIM saw blade (55 mm) VE5	04	226
6 35 02 211 03 0	4014586381688	E-Cut Precision BIM saw blade (55 mm) VE25	04	226
6 35 02 212 01 0	4014586381695	E-Cut precision BIM saw blade (65 mm) VE1	04	226
6 35 02 212 02 0	4014586381701	E-Cut precision BIM saw blade (65 mm) VE5	04	226
6 35 02 212 03 0	4014586381718	E-Cut Precision BIM saw blade (65 mm) VE25	04	226
6 35 02 213 21 0	4014586390925	Carbide saw blade round SLM Ø 105 x 2,2 (1)	04	221
6 35 02 213 23 0	4014586390932	Carbide saw blade round SLM Ø 105 x 2,2 (5)	04	221
6 35 02 214 21 0	4014586390949	Carbide saw blade round SLM Ø 105 x 1,2 (1)	04	221
6 35 02 214 23 0	4014586390956	Carbide saw blade round SLM Ø 105 x 1,2 (5)	04	221
6 35 02 215 21 0	4014586390963	Carbide saw blade segmented SLM Ø 105 x 1,2	04	221
6 35 02 216 21 0	4014586390970	Diamond-coated saw blade segmented SL Ø 75 x 1,2 (1)	04	219
6 35 02 216 23 0	4014586390987	Diamond-coated saw blade segmented SL Ø 75 x 1,2 (5)	04	219
6 35 02 217 21 0	4014586390994	Diamond-coated saw blade segmented SLP Ø 90 x 1,2 (1)	04	219
6 35 02 217 23 0	4014586391007	Diamond-coated saw blade segmented SLP Ø 90 x 1,2 (5)	04	219
6 35 02 218 21 0	4014586391014	Diamond-coated saw blade round SLM Ø 105 x 2,2 (1)	04	222
6 35 02 218 23 0	4014586391021	Diamond-coated saw blade round SLM Ø 105 x 2,2 (5)	04	222
6 35 02 219 21 0	4014586391038	Diamond-coated saw blade round SLM Ø 105 x 1,2 (1)	04	222
6 35 02 219 23 0	4014586391045	Diamond-coated saw blade round SLM Ø 105 x 1,2 (5)	04	222
6 35 02 220 21 0	4014586391052	Diamond-coated saw blade segmented SLM Ø 105 x 1,2	04	221
6 35 03 035 01 1	4014586178912	HSS saw blade pack of 5	02	140
6 35 03 036 01 4	4014586178929	Saw blades, 5-pack	02	140
6 35 03 037 01 8	4014586178936	Saw blades, 5-pack	02	140
6 35 03 038 01 6	4014586178943	Saw blades, 5-pack	02	140
6 35 03 039 01 0	4014586178950	Saw blades, 5-pack	02	140
6 35 03 040 00 3	4014586178967	Saw blade	02	143
6 35 03 042 01 4	4014586178998	Saw blades, 3-pack	02	-
6 35 03 043 01 8	4014586179001	Saw blades, 3-pack	02	-
6 35 03 047 01 7	4014586179049	Saw blades, 3-pack	02	-
6 35 03 048 01 5	4014586179056	Saw blades, 3-pack	02	-
6 35 03 051 01 0	4014586179087	Saw blades, 3-pack	02	-
6 35 03 058 01 4	4014586179148	Saw blades, 3-pack	02	-
6 35 03 059 01 8	4014586179155	Saw blades, 3-pack	02	-
6 35 03 060 01 0	4014586179162	Saw blades, 5-pack	02	140
6 35 03 061 01 9	4014586179186	Saw blade, single	02	140
6 35 03 063 00 7	4014586179209	HSS saw blade	02	143
6 35 03 064 00 5	4014586179216	HSS saw blade	02	143
6 35 03 065 00 9	4014586179223	HSS saw blade	02	143
6 35 03 066 00 2	4014586179230	HSS saw blade	02	143
6 35 03 067 00 6	4014586179247	HSS saw blade	02	143
6 35 03 068 00 4	4014586179254	HSS saw blade	02	143
6 35 03 069 00 8	4014586179261	HSS saw blade	02	143
6 35 03 070 00 0	4014586179278	HSS saw blade	02	143
6 35 03 071 00 9	4014586179285	Saw blade	02	143
6 35 03 072 00 2	4014586179292	HSS saw blade	02	143
6 35 03 073 00 6	4014586179308	HSS saw blade	02	143
6 35 03 076 01 0	4014586179339	Saw blades, 5-pack	02	140
6 35 03 077 01 4	4014586179346	Saw blades, 5-pack	02	140
6 35 03 082 01 0	4014586179360	Saw blades, 5-pack	02	140



Part number	EAN	Description	PC	Page
6 35 03 087 01 3	4014586179391	Saw blades, 5-pack	02	140
6 35 03 088 01 1	4014586179407	Saw blades, 5-pack	02	140
6 35 03 089 01 5	4014586179414	Saw blades, 5-pack	02	140
6 35 03 093 00 4	4014586200774	HD saw blade	02	143
6 35 03 094 00 2	4014586200781	HD saw blade	02	143
6 35 03 095 00 6	4014586200798	HD saw blade	02	143
6 35 03 096 01 8	4014586202921	TD saw blade	02	143
6 35 03 097 01 2	4014586202938	TD saw blade	02	143
6 35 03 098 00 1	4014586212548	Saw blade	02	143
6 35 03 099 00 5	4014586212555	Saw blade	02	143
6 35 03 100 00 6	4014586212562	Saw blade	02	143
6 35 03 112 01 0	4014586305370	Saw blades, 5-pack	02	140
6 35 03 113 01 0	4014586305387	Saw blades, 5-pack	02	140
6 35 03 114 01 0	4014586305394	Saw blades, 5-pack	02	140
6 35 03 115 01 0	4014586305417	Saw blade, 3-pack	02	-
6 35 03 116 01 0	4014586305424	Saw blade, 3-pack	02	-
6 35 03 123 01 0	4014586305431	Saw blade, 3-pack	02	-
6 35 08 056 00 4	4014586179506	Form cutter	08	-
6 35 08 081 00 9	4014586179513	Form cutter	08	-
6 35 08 085 00 8	4014586179520	Form cutter	08	-
6 35 08 089 00 7	4014586179551	Form cutter	08	-
6 35 08 095 00 0	4014586349442	Angled milling cutter, left	08	-
6 35 08 096 00 0	4014586349459	Angled milling cutter, right	08	-
6 35 08 098 00 0	4014586354613	Angled milling cutter, right	08	-
6 35 08 099 00 0	4014586354620	Angled milling cutter, left	08	-
6 35 08 099 02 0	4014586356426	Cutter set, right/left	08	-
6 36 01 101 00 9	4014586179766	Plunger blade and fixed blade	02	129
6 36 02 001 00 4	4014586179797	Cutter blades, up to 2.0 mm	02	-
6 36 02 046 00 2	4014586179834	Cutter blades, up to 2.0 mm	02	-
6 36 02 048 00 4	4014586224053	Punch	02	134
6 36 02 048 01 3	4014586246260	Punches and dies	02	134
6 36 02 048 04 0	4014586317984	Punch (5 ea)	02	134
6 36 02 048 05 0	4014586317991	Punch VE10	02	134
6 36 02 049 00 8	4014586246611	Punch	02	134
6 36 02 049 01 7	4014586246628	Punches and dies	02	134
6 36 02 049 04 0	4014586318004	Punch (2 ea)	02	134
6 36 02 049 05 0	4014586318011	Punch (5 ea)	02	134
6 36 02 050 00 0	4014586264370	Punch	02	135
6 36 02 050 01 0	4014586269511	Punch VE10	02	135
6 36 02 050 03 0	4014586318028	Punch (5 ea)	02	135
6 36 02 051 00 9	4014586262987	Punch	02	134
6 36 02 051 01 8	4014586264356	Punch set	02	134
6 37 06 018 01 0	4014586304922	HM file FSC 2 pcs	04	227
6 37 06 019 21 0	4014586389639	Carbide file SLP 30 x 10	04	219
6 37 07 008 00 2	4014586180373	Grinding wheel	02	-
6 37 13 007 00 9	4014586180717	Grinding wheel	02	-
6 37 13 008 00 7	4014586180724	Grinding wheel	02	-
6 37 13 009 00 1	4014586180731	Grinding wheel	02	-
6 37 13 010 00 3	4014586180748	Grinding wheel	02	-
6 37 13 011 00 2	4014586180755	Polishing wheel	02	-
6 37 13 013 01 8	4014586226811	Polishing wheel	02	196
6 37 13 015 01 0	4014586226835	Polishing wheel	02	196
6 37 13 016 01 3	4014586226842	Polishing wheel	02	196
6 37 14 004 00 5	4014586180779	Linen sanding belt	02	-
6 37 14 005 00 9	4014586180786	Linen sanding belt	02	-
6 37 14 006 00 2	4014586180793	Linen sanding belt	02	-
6 37 14 007 00 6	4014586180809	Linen sanding belt	02	-
6 37 14 008 00 4	4014586180816	Linen sanding belt	02	-
6 37 14 009 00 8	4014586180823	Linen sanding belt	02	-
6 37 14 010 00 0	4014586180830	Linen sanding belt	02	-
6 37 14 011 00 9	4014586180847	Linen sanding belt	02	-
6 37 14 012 00 2	4014586180854	Linen sanding belt	02	-
6 37 14 013 00 6	4014586180861	Linen sanding belt	02	-
6 37 14 014 00 4	4014586180878	Linen sanding belt	02	-
6 37 14 015 00 8	4014586180885	Linen sanding belt	02	-
6 37 14 026 00 0	4014586180960	Linen sanding belt	02	-
6 37 14 027 00 4	4014586180977	Linen sanding belt	02	-
6 37 14 044 01 0	4014586246406	Grinding belt K60 VE10	02	195
6 37 14 045 01 4	4014586246413	Grinding belt K120 VE10	02	195
6 37 14 046 01 7	4014586246420	Grinding belt K240 10/pack	02	195
6 37 14 047 01 1	4014586246437	Fleece belt, coarse	02	196
6 37 14 048 01 9	4014586246444	Fleece belt, medium	02	196
6 37 14 049 01 3	4014586246451	Fleece belt, fine	02	196
6 37 14 050 01 5	4014586259444	Grinding belt K120 VE10	02	190
6 37 14 050 02 1	4014586259451	Basic set	02	190
6 37 14 051 01 4	4014586259468	Grinding belt K180 VE10	02	190

Part number	EAN	Description	PC	Page
6 37 14 052 01 7	4014586259475	Grinding belt K320 VE10	02	190
6 37 14 052 02 3	4014586259482	Polishing-set	02	190
6 37 14 053 01 1	4014586259499	Grinding belt K400 VE10	02	190
6 37 14 054 01 9	4014586259505	Grinding belt K120 VE10	02	190
6 37 14 055 01 3	4014586259512	Grinding belt K180 VE10	02	190
6 37 14 056 01 6	4014586259529	Fleece belt, K80, 5-pack	02	190
6 37 14 057 01 0	4014586259536	Fleece belt K120, 5-pack	02	190
6 37 14 058 01 8	4014586259543	Fleece belt K280, 5-pack	02	190
6 37 14 061 01 0	4014586313160	Grinding belt K80 VE10	02	190
6 37 14 062 01 0	4014586313177	Grinding belt K120 VE10	02	190
6 37 14 063 01 0	4014586313184	Grinding belt K180 VE10	02	190
6 37 14 068 01 0	4014586313191	Grinding belt K80 VE10	02	190
6 37 14 069 01 0	4014586313207	Grinding belt K120 VE10	02	190
6 37 14 070 01 0	4014586313214	Grinding belt K180 VE10	02	190
6 37 14 089 01 0	4014586313221	Grinding belt K80 VE10	02	190
6 37 14 090 01 0	4014586313238	Grinding belt K120 VE10	02	190
6 37 14 091 01 0	4014586313245	Grinding belt K180 VE10	02	190
6 37 14 114 01 0	4014586313252	Fleece belt, coarse VE5	02	190
6 37 14 115 01 0	4014586313269	Fleece belt, medium V5	02	190
6 37 14 116 01 0	4014586313276	Fleece belt, fine VE5	02	190
6 37 14 123 01 0	4014586313283	Fleece belt, coarse VE5	02	190
6 37 14 124 01 0	4014586313290	Fleece belt, medium V5	02	190
6 37 14 125 01 0	4014586313306	Fleece belt, fine VE5	02	190
6 37 14 130 01 0	4014586300849	Ceramic grinding belt	02	190
6 37 14 131 01 0	4014586300856	Ceramic grinding belt	02	190
6 37 14 132 01 0	4014586305264	Grinding sleeve K60 VE5	02	197
6 37 14 133 01 0	4014586305271	Grinding sleeve K80 VE5	02	197
6 37 14 134 01 0	4014586306674	Grinding sleeve K120 VE5	02	197
6 37 14 136 01 0	4014586329512	Grinding belt K80 VE10	02	192
6 37 14 137 01 0	4014586329529	Grinding belt K120 VE10	02	192
6 37 14 138 01 0	4014586329536	Grinding belt K180 VE10	02	192
6 37 14 139 01 0	4014586329543	Grinding belt K320 VE10	02	192
6 37 14 140 01 0	4014586329741	Grinding belt K400 VE10	02	192
6 37 14 141 01 0	4014586329550	Fleece belt, coarse VE5	02	193
6 37 14 142 01 0	4014586329567	Fleece belt, medium V5	02	193
6 37 14 143 01 0	4014586329574	Fleece belt, fine VE5	02	193
6 37 14 144 01 0	4014586330013	Polishing belt, 3-pack	02	193
6 37 17 081 01 8	4014586182575	Sanding sheets K40, 50/pack	04	217
6 37 17 081 04 6	4014586211114	Sanding sheets K40, 5/pack	04	217
6 37 17 082 01 1	4014586182612	Sanding sheets K60, 50/pack	04	217
6 37 17 082 03 3	4014586207667	Set of sanding sheets	04	217
6 37 17 082 04 9	4014586211121	Sanding sheets K60, 5/pack	04	217
6 37 17 083 01 5	4014586182643	Sanding sheets K80, 50/pack	04	217
6 37 17 083 04 3	4014586211138	Sanding sheets K80, 5/pack	04	217
6 37 17 084 01 3	4014586182674	Sanding sheets K100, 50/pack	04	217
6 37 17 084 04 1	4014586211145	Sanding sheets K100, 5/pack	04	217
6 37 17 085 01 7	4014586182704	Sanding sheets K120, 50/pack	04	217
6 37 17 085 04 5	4014586211152	Sanding sheets K120, 5/pack	04	217
6 37 17 086 01 0	4014586182728	Sanding sheets K36, 50/pack	04	217
6 37 17 086 04 8	4014586211107	Sanding sheets K36, 5/pack	04	217
6 37 17 087 01 4	4014586182742	Sanding sheets K150, 50/pack	04	217
6 37 17 087 04 2	4014586211169	Sanding sheets K150, 5/pack	04	217
6 37 17 088 01 2	4014586182773	Sanding sheets K180, 50/pack	04	217
6 37 17 088 04 0	4014586211176	Sanding sheets K180, 5/pack	04	217
6 37 17 089 01 6	4014586182797	Sanding sheets K220, 50/pack	04	217
6 37 17 089 04 4	4014586211183	Sanding sheets K220, 5/pack	04	217
6 37 17 090 01 8	4014586182810	Sanding sheets K240, 50/pack	04	217
6 37 17 090 04 6	4014586211190	Sanding sheets K240, 5/pack	04	217
6 37 17 107 01 1	4014586182896	Sanding sheets, perforated, K36, 50/pack	04	218
6 37 17 107 04 9	4014586211237	Sanding sheets, perforated, K36, 5/pack	04	218
6 37 17 108 01 9	4014586182919	Sanding sheets, perforated, K40, 50/pack	04	218
6 37 17 108 04 7	4014586211244	Sanding sheets, perforated, K40, 5/pack	04	218
6 37 17 109 01 3	4014586182933	Sanding sheets, perforated, K60, 50/pack	04	218
6 37 17 109 03 5	4014586213002	Set of sanding sheets	04	218
6 37 17 109 04 1	4014586211251	Sanding sheets, perforated, K60, 5/pack	04	218
6 37 17 110 01 5	4014586182957	Sanding sheets, perforated, K80, 50/pack	04	218
6 37 17 110 04 3	4014586211268	Sanding sheets, perforated, K80, 5/pack	04	218
6 37 17 111 01 4	4014586182971	Sanding sheets, perforated, K100, 50/pack	04	218
6 37 17 111 04 2	4014586211275	Sanding sheets, perforated, K100, 5/pack	04	218
6 37 17 112 01 7	4014586182995	Sanding sheets, perforated, K120, 50/pack	04	218
6 37 17 112 04 5	4014586211282	Sanding sheets, perforated, K120, 5/pack	04	218
6 37 17 113 01 1	4014586183015	Sanding sheets, perforated, K150, 50/pack	04	218
6 37 17 113 04 9	4014586211299	Sanding sheets, perforated, K150, 5/pack	04	218
6 37 17 114 01 9	4014586183039	Sanding sheets, perforated, K180, 50/pack	04	218
6 37 17 114 04 7	4014586211305	Sanding sheets, perforated, K180, 5/pack	04	218
6 37 17 115 01 3	4014586183053	Sanding sheets, perforated, K220, 50/pack	04	218



Part number	EAN	Description	PC	Page
6 37 17 115 04 1	4014586211312	Sanding sheets, perforated, K220, 5/pack	04	218
6 37 17 116 01 6	4014586183077	Sanding sheets, perforated, K240, 50/pack	04	218
6 37 17 116 04 4	4014586211329	Sanding sheets, perforated, K240, 5/pack	04	218
6 37 17 120 01 4	4014586183152	Stone sanding sheets, K40, 50/pack	04	217
6 37 17 121 01 3	4014586183176	Stone sanding sheets, K80, 50/pack	04	217
6 37 17 122 01 6	4014586183190	Stone sanding sheets, K120, 50/pack	04	217
6 37 17 123 01 0	4014586183213	Stone sanding sheets, K220, 50/pack	04	217
6 37 17 124 01 8	4014586183237	Stone sanding sheets, K320, 50/pack	04	217
6 37 17 125 01 2	4014586183251	Stone sanding sheets, K400, 50/pack	04	217
6 37 17 126 01 5	4014586183275	Supersoft sanding sheets, K240, 50/pack	04	217
6 37 17 127 01 9	4014586183299	Supersoft sanding sheets, K320, 50/pack	04	217
6 37 17 128 01 7	4014586183312	Supersoft sanding sheets, K400, 50/pack	04	217
6 37 17 175 01 7	4014586183343	Stone sanding sheets, K600, 50/pack	04	217
6 37 17 176 01 0	4014586183350	Stone sanding sheets, K800, 50/pack	04	217
6 37 17 179 01 6	4014586201375	Supersoft sanding sheets, K500, 50/pack	04	217
6 37 17 184 01 2	4014586208473	Sheets for sanding finger K40, 20/pack	04	217
6 37 17 185 01 6	4014586208480	Sheets for sanding finger K60, 20/pack	04	217
6 37 17 186 01 9	4014586208497	Sheets for sanding finger K80, 20/pack	04	217
6 37 17 187 01 3	4014586208503	Sheets for sanding finger K100, 20/pack	04	217
6 37 17 188 01 1	4014586208510	Sheets for sanding finger K120, 20/pack	04	217
6 37 17 189 01 5	4014586208527	Sheets for sanding finger K150, 20/pack	04	217
6 37 17 190 01 7	4014586208534	Sheets for sanding finger K180, 20/pack	04	217
6 37 17 191 01 6	4014586208541	Sheets for sanding finger K220, 20/pack	04	217
6 37 17 192 01 9	4014586208558	Sheets for sanding finger K240, 20/pack	04	217
6 37 17 217 01 6	4014586260914	Sanding sheets, profile grinding kit K80, 25/pack	04	217
6 37 17 218 01 4	4014586260921	Sanding sheets, profile grinding kit K120, 25/pack	04	217
6 37 17 219 01 8	4014586260938	Sanding sheets, profile grinding kit K180, 25/pack	04	217
6 37 17 221 01 0	4014586282893	Sanding disc, K2800, 53/pack	02	202
6 37 17 227 01 0	4014586317182	Set of sanding sheets	04	218
6 37 17 227 02 0	4014586317199	Abrasive disc K60 VE16	04	218
6 37 17 228 02 0	4014586317205	Abrasive disc K80 VE16	04	218
6 37 17 229 01 0	4014586317212	Abrasive disc K120 VE16	04	218
6 37 17 230 02 0	4014586317229	Abrasive disc K40 VE16	04	218
6 37 17 231 02 0	4014586317236	Abrasive disc K180 VE16	04	218
6 37 17 232 01 0	4014586317243	Abrasive disc K240 VE16	04	218
6 37 17 233 01 0	4014586329581	Abras.disc gr.40 (12ea)	04	218
6 37 17 233 02 0	4014586329598	Set of sanding sheets	04	218
6 37 17 234 01 0	4014586329604	Abras.disc gr.60 (12ea)	04	218
6 37 17 235 01 0	4014586329611	Abras.disc gr.80 (12ea)	04	218
6 37 17 236 01 0	4014586329628	Sanding sheet zirconium K40 VE35	04	218
6 37 17 237 01 0	4014586329635	Abras.disc gr.60 (35ea)	04	218
6 37 17 238 01 0	4014586329642	Abras.disc gr.80 (35ea)	04	218
6 37 17 239 01 0	4014586328768	Pyramix sanding sheet K280 VE5	02	191
6 37 17 239 02 0	4014586328775	Pyramix sanding sheet K280 VE25	02	191
6 37 17 240 01 0	4014586328782	Pyramix sanding sheet K400 VE5	02	191
6 37 17 240 02 0	4014586328799	Pyramix sanding sheet K400 VE25	02	191
6 37 17 241 01 0	4014586328805	Pyramix sanding sheet K800 VE5	02	192
6 37 17 241 02 0	4014586328812	Pyramix sanding sheet K800 VE25	02	192
6 37 17 242 01 0	4014586328829	Pyramix sanding sheet K1400 VE5	02	192
6 37 17 242 02 0	4014586328836	Pyramix sanding sheet K1400 VE25	02	192
6 37 17 243 01 0	4014586329659	Abras.disc gr.40 (35ea)	04	217
6 37 17 244 01 0	4014586329666	Abras.disc gr.60 (35ea)	04	217
6 37 17 245 01 0	4014586329673	Abras.disc gr.80 (35ea)	04	217
6 37 17 246 01 0	4014586373867	Sanding sheets, foam backing	04	220
6 37 17 247 01 0	4014586373874	Sanding sheets, foam backing	04	220
6 37 18 011 01 0	4014586334998	Polishing wheel 6 mm	02	192
6 37 19 007 01 0	4014586213101	Cleaning block	04	144
6 37 19 010 01 4	4014586213453	Sharpening stone	04	232
6 37 19 011 01 0	4014586336466	Profiling stone	02	192
6 37 19 011 22 0	4014586389646	1 Sanding plate with holes SLP (2)	04	219
6 37 21 001 00 1	4014586183428	Flap wheel	02	196
6 37 21 003 01 7	4014586226583	Abrasive fleece wheels	02	195
6 37 21 004 01 5	4014586226590	Abrasive fleece wheels	02	195
6 37 21 005 01 9	4014586226606	Abrasive fleece wheels	02	195
6 37 21 006 01 2	4014586246321	Elastic sanding cylinder	02	195
6 37 21 006 04 0	4014586306629	Standard stainless steel set for surfaces	02	194
6 37 21 007 01 6	4014586246338	Elastic sanding cylinder	02	195
6 37 21 008 01 4	4014586246345	Lamella fleece cylinder	02	195
6 37 21 009 01 8	4014586246352	Lamella fleece cylinder	02	195
6 37 21 010 01 0	4014586248448	Lamella fleece cylinder	02	195
6 37 21 015 01 0	4014586282329	Fleece 4" x 4"Gr.60/100	02	-
6 37 21 016 02 0	4014586288741	Rough stainl. steel kit	02	-
6 37 21 050 02 0	4014586306636	Stainless steel set for satin-finishing surfaces	02	194
6 37 21 051 01 0	4014586305288	Fleece wheel K180	02	195
6 37 21 052 01 0	4014586305189	Flap wheel K120	02	192
6 37 21 052 02 0	4014586306643	Stainless steel set for grinding pipes / profiles	02	192

Part number	EAN	Description	PC	Page
6 37 21 054 01 0	4014586328843	Elastic sanding cylinder grit60	02	195
6 37 21 054 02 0	4014586328850	Stainless steel set for satin-finishing profiles	02	194
6 37 21 055 01 0	4014586328874	Elastic sanding cylinder grit180	02	195
6 37 21 056 01 0	4014586329062	Fleece wheel K180	02	195
6 37 22 048 01 4	4014586226736	Nylon barrel brush	02	203
6 37 23 003 00 3	4014586183633	Lambskin	02	203
6 37 23 007 00 2	4014586183688	Lambskin	02	202
6 37 23 008 00 0	4014586216720	Lambskin	02	194
6 37 23 009 00 4	4014586216737	Lambskin, 150 mm	02	197
6 37 23 010 00 6	4014586216744	Lambskin	02	193
6 37 23 011 01 4	4014586226637	Polishing ring, sisal	02	196
6 37 23 011 04 0	4014586306650	Stainless steel set for polishing surfaces / pipes / profiles	02	194
6 37 23 012 01 7	4014586226644	Polishing ring, sisal	02	196
6 37 23 013 01 1	4014586226651	Polishing ring, cloth	02	196
6 37 23 014 01 9	4014586226668	Polishing ring, cloth	02	196
6 37 23 015 01 3	4014586226675	Polishing ring, cloth	02	196
6 37 23 016 01 6	4014586226682	Polishing ring, cloth	02	196
6 37 23 017 01 0	4014586232829	Polishing sponge	02	202
6 37 23 018 01 8	4014586232836	Polishing sponge	02	202
6 37 23 019 01 2	4014586233710	Polishing rings, fleece, extra soft	02	196
6 37 23 020 01 4	4014586233727	Polishing rings, fleece, extra soft	02	196
6 37 23 021 01 3	4014586233734	Polishing ring, fleece	02	195
6 37 23 022 01 6	4014586233741	Polishing ring, fleece	02	195
6 37 23 023 01 0	4014586233918	Polishing sponge	02	202
6 37 23 024 01 8	4014586233925	Polishing sponge	02	202
6 37 23 025 01 2	4014586233932	Polishing sponge	02	203
6 37 23 026 01 5	4014586233949	Polishing sponge	02	203
6 37 23 028 01 0	4014586282909	Polishing sponge orange 150 mm	02	202
6 37 23 028 04 0	4014586327648	Paint refurbishing and finishing set	02	201
6 37 23 029 01 0	4014586282930	Waffled sponge 150 mm	02	202
6 37 23 031 01 0	4014586304939	Bristle fleece	04	219
6 37 23 032 01 0	4014586304946	Felt polishing pad	04	220
6 37 23 034 01 0	4014586304960	Polishing sponge 195 mm	02	202
6 37 23 035 01 0	4014586304977	Lamb's wool, dome shape	02	202
6 37 23 036 01 0	4014586335001	Felt polishing pad Ø 115 mm pack of 5	04	220
6 37 26 008 01 2	4014586259550	Pre-polishing paste	02	197
6 37 26 009 01 6	4014586259567	Colouring paste	02	197
6 37 26 010 01 8	4014586259574	Polishing belt, 3-pack	02	190
6 37 26 014 01 0	4014586282978	FEIN single-stage polish	02	202
6 37 26 015 01 0	4014586282985	FEIN top wax paint seal	02	202
6 37 26 016 01 0	4014586313313	Polishing belts VE3	02	190
6 37 26 019 01 0	4014586313320	Polishing belts VE3	02	190
6 37 26 025 01 0	4014586327655	Wax sealing	02	201
6 37 26 027 01 0	4014586329963	Brushing paste	02	196
6 37 26 028 01 0	4014586329970	Preliminary polishing paste	02	196
6 37 26 029 01 0	4014586329987	Rumbling paste	02	196
6 37 26 030 01 0	4014586335018	Polishing agent 250 ml	02	220
6 37 28 001 01 6	4014586184340	Sanding sheet K80 VE50	02	194
6 37 28 002 01 9	4014586184364	Abras.disc gr.100 (50ea)	02	194
6 37 28 009 01 4	4014586184500	Sanding sheet K40 VE50	02	194
6 37 28 010 01 6	4014586184524	Sanding sheet K60 VE50	02	194
6 37 28 012 01 8	4014586184562	Sanding sheet K150 VE50	02	194
6 37 28 013 01 2	4014586184586	Sanding sheet K180 VE50	02	194
6 37 28 014 01 0	4014586184609	Sanding sheet K220 VE50	02	194
6 37 28 015 01 4	4014586184623	Abras.disc gr.240 (50ea)	02	194
6 37 28 017 01 1	4014586184661	Abras.disc gr.320 (50ea)	02	194
6 37 28 022 01 7	4014586184739	Sanding sheet K60 VE50	02	193
6 37 28 054 01 6	4014586185002	Abras.disc gr.100 (50ea)	02	194
6 37 28 056 01 3	4014586185040	Sanding sheet K80 VE50	02	194
6 37 28 061 01 0	4014586185101	Abras.disc gr.400 (50ea)	02	194
6 37 28 072 01 2	4014586185170	Sanding sheet K40 VE50	02	194
6 37 28 073 01 6	4014586185194	Sanding sheet K60 VE50	02	194
6 37 28 074 01 4	4014586185217	Sanding sheet K80 VE50	02	194
6 37 28 074 02 0	4014586305462	Abras.disc-Set (50ea)	02	203
6 37 28 077 01 5	4014586185255	Sanding sheet K60 VE50	02	193
6 37 28 078 01 3	4014586185279	Sanding sheet K80 VE50	02	193
6 37 28 081 01 8	4014586185293	Sanding sheet K150 VE50	02	193
6 37 28 084 01 3	4014586185354	Sanding sheet K120 VE50	02	194
6 37 28 096 01 9	4014586215969	Sanding sheet K80 VE50	02	193
6 37 28 132 01 0	4014586305479	Abras.disc gr.600 (50ea)	02	193
6 37 28 133 01 0	4014586305486	Abras.disc gr.800(50ea)	02	193
6 37 28 134 01 0	4014586305509	Abras.disc gr1200(50ea)	02	193
6 37 28 135 01 0	4014586329994	Sanding sheet K80, 25/pack	02	191
6 37 30 018 01 0	4014586305196	Abras.flap disc med.V10	02	192
6 37 31 001 21 0	4014586391069	Carbide rasp SL 80	04	219
6 37 31 002 21 0	4014586391076	Carbide rasp SLP	04	219



Part number	EAN	Description	PC	Page
6 37 31 005 01 0	4014586348162	Carbide rasp, triangular	04	227
6 37 31 006 21 0	4014586391083	Carbide rasp SLM 110	04	222
6 37 32 001 01 8	4014586226781	Sanding fleece, coarse, 10/pack	02	191
6 37 32 002 01 1	4014586226798	Sanding fleece, medium, 10/pack	02	191
6 37 32 003 01 5	4014586226804	Sanding fleece, fine, 10/pack	02	191
6 37 32 004 01 0	4014586305493	Sanding fleece gr100 5e	02	203
6 37 32 005 01 0	4014586305202	Finishing disc	02	192
6 37 33 001 01 0	4014586282992	Humidification sponge	02	202
6 37 33 002 01 0	4014586283005	Sanding block	02	202
6 37 33 003 01 0	4014586283012	Microfiber chamois	02	194
6 37 33 005 01 0	4014586309569	Adapter FSC Qi	04	229
6 37 33 006 01 0	4014586307312	Holder	02	196
6 37 33 007 01 0	4014586327693	Cleaning putty	02	201
6 37 34 001 01 0	4014586334868	Fleece disc, pressed 3 mm, coarse	02	192
6 37 34 002 01 0	4014586334875	Fleece disc, pressed 6 mm, coarse	02	192
6 37 34 003 01 0	4014586334882	Fleece disc, pressed 3 mm, medium	02	192
6 37 34 004 01 0	4014586334899	Fleece disc, pressed 6 mm, medium	02	192
6 37 34 005 01 0	4014586334905	Fleece disc, pressed 3 mm, fine	02	192
6 37 34 006 01 0	4014586334912	Fleece disc, pressed 6 mm, fine	02	192
6 37 34 007 01 0	4014586334929	Fleece disc, pressed 6 mm, very fine	02	192
6 38 01 079 00 9	4014586185569	Inner flange	02	97
6 38 01 095 00 8	4014586185606	Inner flange	02	-
6 38 01 096 00 1	4014586185613	Inner flange	02	-
6 38 01 097 00 5	4014586185620	Inner flange	02	-
6 38 01 098 00 3	4014586185637	Inner flange	02	-
6 38 01 120 00 6	4014586185774	Inner flange	02	101
6 38 01 137 00 0	4014586185842	Inner flange	02	-
6 38 01 154 00 7	4014586185972	Threaded flange	02	101
6 38 01 176 01 1	4014586212517	Flange assy	02	-
6 38 01 178 00 4	4014586259857	adapter	02	-
6 38 02 052 00 0	4014586186115	Threaded flange	02	101
6 38 02 084 00 9	4014586186207	Threaded flange	02	97
6 38 02 098 00 7	4014586186238	Threaded flange	02	-
6 38 02 105 00 0	4014586186252	Threaded flange	02	-
6 38 02 106 00 3	4014586186269	Threaded flange	02	-
6 38 02 107 00 7	4014586186276	Threaded flange	02	-
6 38 02 178 02 3	4014586212890	Clamping unit	02	-
6 38 02 180 02 9	4014586212883	Clamping unit	02	-
6 38 02 183 02 5	4014586233314	Clamping unit	02	101
6 38 02 183 03 1	4014586233468	Clamping unit	02	-
6 38 02 185 02 7	4014586233321	Clamping unit	02	101
6 38 02 191 01 0	4014586356266	Fixtec quick-clamping nut	02	191
6 38 03 027 03 8	4014586228136	Arbor ass.	02	196
6 38 03 066 02 4	4014586226613	Arbor ass.	02	196
6 38 03 067 02 8	4014586226729	Arbor ass.	02	196
6 38 03 068 02 0	4014586282350	Arbor ass.	02	-
6 38 03 069 02 0	4014586282367	Arbor ass.	02	-
6 38 03 071 02 0	4014586328898	Arbor ass.	02	196
6 38 03 072 02 0	4014586328904	Arbor 5/8"	02	-
6 38 06 012 00 8	4014586186801	Sanding pad	02	202
6 38 06 030 00 4	4014586186832	Sanding pad	02	203
6 38 06 034 01 7	4014586186849	Elastic backing pad	02	101
6 38 06 076 00 1	4014586187006	Contact disc	02	-
6 38 06 077 00 5	4014586187013	Contact disc	02	-
6 38 06 087 01 3	4014586187112	Elastic backing pad	02	191
6 38 06 088 02 7	4014586187136	Sanding disc assy	02	193
6 38 06 090 02 3	4014586187174	Sanding disc assy	02	194
6 38 06 095 02 1	4014586187235	Sanding disc assy	02	193
6 38 06 101 02 0	4014586187358	Sanding disc assy	02	194
6 38 06 102 02 3	4014586187372	Sanding disc assy	02	193
6 38 06 103 02 7	4014586187396	Sanding disc assy	02	193
6 38 06 114 02 4	4014586187556	Sanding disc assy	02	194
6 38 06 116 02 1	4014586187594	Sanding disc assy	02	193
6 38 06 117 02 5	4014586187617	Sanding disc assy	02	193
6 38 06 118 02 3	4014586187631	Sanding disc assy	02	193
6 38 06 129 06 7	4014586214986	Stone sanding set	04	-
6 38 06 129 22 0	4014586391090	Sanding pad SL (2)	04	216
6 38 06 136 22 0	4014586391106	Sanding pad perforated SL (2)	04	217
6 38 06 138 01 5	4014586213798	Elastic backing pad	02	-
6 38 06 140 22 0	4014586391113	Felt polishing pad SL (2)	04	219
6 38 06 141 22 0	4014586391120	Sanding pad super-soft version SL (2)	04	216
6 38 06 142 22 0	4014586391137	Sanding pad flat version SL (2)	04	216
6 38 06 143 00 8	4014586187921	Sanding pad	02	-
6 38 06 143 01 7	4014586212906	Elastic backing pad	02	-
6 38 06 159 22 0	4014586391144	Sanding pad finger shape SL (2)	04	217
6 38 06 166 02 6	4014586215990	Sanding pad	02	193

Part number	EAN	Description	PC	Page
6 38 06 167 02 0	4014586216003	Sanding disc assy	02	193
6 38 06 168 01 2	4014586226569	Backing pad	02	191
6 38 06 169 01 6	4014586226743	Backing pad	02	202
6 38 06 170 01 8	4014586226750	Support plate, 150 mm	02	202
6 38 06 171 01 7	4014586226767	Backing pad	02	203
6 38 06 172 01 0	4014586226774	Backing pad	02	191
6 38 06 174 01 2	4014586233420	Sanding disc assy	02	101
6 38 06 174 02 8	4014586233437	Sanding disc assy	02	101
6 38 06 178 01 1	4014586233994	Backing pad	02	202
6 38 06 179 01 5	4014586233956	Backing pad	02	202
6 38 06 181 01 6	4014586246383	Sanding strip roll	02	195
6 38 06 181 03 0	4014586306698	Standard stainless steel set for pipes	02	194
6 38 06 184 01 0	4014586282381	Support plate assy	02	-
6 38 06 186 01 0	4014586299228	Backing pad	02	-
6 38 06 187 01 0	4014586304984	elastic disc 170 mm 5/8"	02	202
6 38 06 188 01 0	4014586304991	Pad 150 mm 5/8"	02	202
6 38 06 190 01 0	4014586305004	elastic disc 170 mm 5/8"	02	-
6 38 06 191 01 0	4014586305011	Pad 150 mm 5/8"	02	-
6 38 06 192 01 0	4014586305257	Expansion roller	02	197
6 38 06 192 02 0	4014586306704	Stainless steel set for grinding surfaces	02	194
6 38 06 193 01 0	4014586305363	Cool sanding pad	02	191
6 38 06 193 04 0	4014586328911	Stainless steel set - Preparing to polish surfaces / pipes / profiles	02	192
6 38 06 195 21 0	4014586391151	Sanding set SLP Ø 115	04	218
6 38 06 196 01 0	4014586328935	Cool sanding pad	02	191
6 38 09 004 01 9	4014586246468	Adhesive strip	02	195
6 38 10 011 01 6	4014586188133	Grinding arm	02	-
6 38 10 026 01 0	4014586313337	Grinding arm	02	190
6 38 10 027 01 0	4014586313344	Grinding arm	02	190
6 38 10 030 01 0	4014586313351	Grinding arm	02	190
6 38 10 031 01 0	4014586392912	Profile grinding set	04	217
6 38 11 004 01 0	4014586324838	Wheel guard cover for cutting work	02	101
6 38 11 005 01 0	4014586324845	Wheel guard cover for cutting work	02	101
6 38 11 008 01 0	4014586324852	Cutting-off-guard	02	-
6 38 11 009 01 0	4014586324869	Cutting-off-guard	02	-
6 38 11 010 01 0	4014586324876	Cutting-off-guard	02	-
6 38 11 011 01 0	4014586368245	Cutting-off-guard	02	-
6 38 11 012 01 0	4014586368252	Cutting-off-guard	02	-
6 38 11 013 01 0	4014586368269	Cutting-off-guard	02	-
6 38 11 016 01 0	4014586392400	Cutting-off-guard	02	97
6 38 11 017 01 0	4014586392417	Cutting-off-guard	02	191
6 38 11 018 01 0	4014586392424	Cutting-off-guard	02	97
6 39 01 011 06 2	4014586266961	Hand strap	02	-
6 39 01 015 00 5	4014586237558	Standard strip	02	-
6 39 01 017 01 1	4014586241791	Retainer shank QI assy	02	-
6 39 01 018 01 9	4014586241807	Retainer shank MK2 QI assy	02	169
6 39 01 019 01 3	4014586241814	Retainer shank MK3 QI assy	02	169
6 39 01 020 00 6	4014586241821	Adapter M18 x 6 P1.5	02	169
6 39 01 021 01 4	4014586241845	Adapter Weldon QI assy	02	169
6 39 01 022 00 8	4014586241852	Adapter QI 1/2"	02	169
6 39 01 023 00 2	4014586241869	Adapter B16	02	169
6 39 01 023 01 1	4014586258621	Jaw chuck till 16 mm with B16 adapter	02	169
6 39 01 023 02 0	4014586317960	Jaw chuck	02	169
6 39 01 024 01 9	4014586244433	Adapter Weldon QI ass. spec	02	169
6 39 01 027 01 0	4014586253480	Adapter Weldon/QuickIN	02	169
6 39 01 028 01 8	4014586254685	Adapter KBM 542 QuickIN	02	169
6 39 01 029 01 2	4014586258157	Hand strap assy	02	-
6 39 01 030 01 4	4014586262796	Autofeed screws 3.9 x 35 mm, metal, 1000/pack	02	20
6 39 01 030 02 0	4014586331928	Screws 3,9 x 35 (VE10 x 1000)	02	20
6 39 01 031 01 3	4014586262802	Autofeed screws 3.9 x 30 mm, wood, 1000/pack	02	20
6 39 01 031 02 0	4014586331935	Screws 3,9 x 30 (VE10 x 1000)	02	20
6 39 01 032 01 6	4014586262819	Autofeed screws 3.9 x 35 mm, wood, 1000/pack	02	20
6 39 01 032 02 0	4014586331942	Screws 3,9 x 35 (VE10 x 1000)	02	20
6 39 01 033 01 0	4014586262826	Autofeed screws 3.9 x 45 mm, wood, 1000/pack	02	20
6 39 01 033 02 0	4014586331959	Screws 3,9 x 45 (VE10 x 1000)	02	20
6 39 01 034 01 8	4014586262833	Autofeed screws 3.9 x 30 mm, wood/metal, 1000/pack	02	20
6 39 01 034 02 0	4014586331966	Screws 3,9 x 30 (VE10 x 1000)	02	20
6 39 01 035 01 2	4014586262840	Autofeed screws 4.2 x 35 mm, wood, 1000/pack	02	20
6 39 01 035 02 0	4014586331973	Screws 4,2 x 35 (VE10 x 1000)	02	20
6 39 01 036 01 0	4014586274096	Coolant tank assy	02	-
6 39 01 037 01 0	4014586274980	Contact and swarf guard assy	02	-
6 39 01 038 02 0	4014586298757	Mounting shaft	02	172
6 39 01 039 02 0	4014586310299	Mounting shaft	02	172
6 39 01 040 01 0	4014586296647	Mounting shaft	02	172
6 39 01 041 01 0	4014586296678	Mounting shaft	02	172
6 39 01 042 01 0	4014586296685	Mounting shaft	02	172
6 39 01 045 01 0	4014586317977	Adapter QIM/ QI	02	172



Part number	EAN	Description	PC	Page
6 39 01 046 00 0	4014586329680	Clamping adapter for angled head	02	36
6 39 01 047 00 0	4014586336756	QuickIN PLUS adapter on B16	02	151
6 39 01 048 02 0	4014586355528	QuickIN-adaptors	02	169
6 39 01 049 02 0	4014586355535	QuickIN-adaptors	02	169
6 39 01 050 02 0	4014586355542	3/4" Weldon mounting shaft	02	169
6 39 01 051 02 0	4014586355559	3/4" Weldon mounting shaft	02	169
6 39 01 052 02 0	4014586355566	3/4" Weldon mounting shaft	02	169
6 39 01 053 02 0	4014586355573	3/4" Weldon mounting shaft	02	169
6 39 01 054 00 0	4014586365169	QuickIN Plus adapter for 1/2"-20 UNF	02	151
6 39 01 054 01 0	4014586365176	Quick-action chucks	02	151
6 39 01 055 02 0	4014586371160	Retainer shank MK3 QI assy	02	169
6 39 01 057 02 0	4014586371122	Retainer shank MK2 QI assy	02	169
6 39 01 061 00 0	4014586369235	Adapter with 3/4" Weldon fitting	02	169
6 39 02 001 01 0	4014586188218	Paddle	02	-
6 39 02 002 01 3	4014586188232	Paddle	02	72
6 39 03 072 01 7	4014586188577	Blade, curved, 2-pack	04	234
6 39 03 073 01 1	4014586188584	Cutter blade, straight, 2-pack	04	232
6 39 03 076 01 6	4014586188621	Blade, U-shape, 2-pack	04	233
6 39 03 079 01 2	4014586188645	Blade, U-shape, 2-pack	04	233
6 39 03 081 01 3	4014586188676	Cutter blade, straight, 2-pack	04	233
6 39 03 082 01 6	4014586188683	Blade, curved, 2-pack	04	234
6 39 03 083 01 0	4014586188690	Blade, U-shape, 2-pack	04	233
6 39 03 087 01 9	4014586188737	Blade, U-shape, 2-pack	04	233
6 39 03 095 01 1	4014586188799	Blade, U-shape, 2-pack	04	233
6 39 03 097 01 8	4014586188829	Blade, straight, 2-pack	04	234
6 39 03 099 01 0	4014586188850	Blade, straight, 2-pack	04	234
6 39 03 101 01 0	4014586188874	Blade, U-shape, 2-pack	04	233
6 39 03 103 01 7	4014586188898	Blade, straight, 2-pack	04	234
6 39 03 104 01 5	4014586188904	Blade, straight, 2-pack	04	234
6 39 03 105 01 9	4014586188911	Scraper blade, 2-pack	04	233
6 39 03 107 01 6	4014586188935	Blade, U-shape, 2-pack	04	233
6 39 03 108 01 4	4014586188942	Blade, U-shape, 2-pack	04	233
6 39 03 109 01 8	4014586188959	Blade, straight, 2-pack	04	234
6 39 03 110 01 0	4014586188966	Blade, U-shape, 2-pack	04	233
6 39 03 111 01 9	4014586188973	Blade, U-shape, 2-pack	04	233
6 39 03 113 01 6	4014586188997	Blade, 2-pack	04	233
6 39 03 113 02 2	4014586189000	Scraper blade kit, 2-pack mix	04	233
6 39 03 114 01 4	4014586189017	Blade, U-shape, 2-pack	04	233
6 39 03 115 01 8	4014586189031	Blade, U-shape, 2-pack	04	233
6 39 03 116 01 1	4014586189048	Cutter blade, 5-pack	04	228
6 39 03 117 01 5	4014586189055	Cutter blade, 5-pack	04	228
6 39 03 118 01 3	4014586189062	Blade, U-shape, 2-pack	04	233
6 39 03 120 01 9	4014586189086	Blade, straight, 2-pack	04	234
6 39 03 121 01 8	4014586189093	Blade, straight, 2-pack	04	234
6 39 03 122 01 1	4014586189109	Blade, straight, 2-pack	04	234
6 39 03 123 01 5	4014586189116	Blade, straight, 2-pack	04	234
6 39 03 124 01 3	4014586189123	Blade, straight, 2-pack	04	234
6 39 03 125 01 7	4014586189130	Blade, straight, 2-pack	04	234
6 39 03 127 01 4	4014586189154	Blade, U-shape, 2-pack	04	233
6 39 03 128 01 2	4014586189161	Reciprocating blade	04	228
6 39 03 129 01 6	4014586189178	Scraper blade kit, 2-pack mix	04	233
6 39 03 129 05 0	4014586210636	Scraper blade, 2-pack	04	233
6 39 03 131 01 7	4014586210643	Scraper blade, 2-pack	04	233
6 39 03 132 01 0	4014586189208	Blade, 2-pack	04	228
6 39 03 133 01 4	4014586189215	Blade, curved, 2-pack	04	234
6 39 03 143 01 3	4014586189314	Blade, straight, 2-pack	04	234
6 39 03 144 01 1	4014586189321	Scraper blade, 2-pack	04	233
6 39 03 146 01 8	4014586189345	Scraper blade, 2-pack	04	233
6 39 03 147 01 2	4014586189352	Blade, U-shape, 2-pack	04	233
6 39 03 152 01 8	4014586189413	Blade, curved, 2-pack	04	234
6 39 03 153 01 2	4014586189420	Blade, U-shape, 2-pack	04	233
6 39 03 154 01 0	4014586189437	Blade, U-shape, 2-pack	04	233
6 39 03 155 01 4	4014586189444	Blade, U-shape, 2-pack	04	233
6 39 03 156 01 7	4014586193939	Blade, U-shape, 2-pack	04	235
6 39 03 157 01 1	4014586195803	Blade, U-shape, 2-pack	04	233
6 39 03 160 01 5	4014586198781	Blade, straight, 2-pack	04	234
6 39 03 161 01 4	4014586198934	Cleaning blades	04	-
6 39 03 161 03 0	4014586315072	Reciprocating blade	04	-
6 39 03 162 01 7	4014586198958	Reciprocating blade 1ea	04	228
6 39 03 162 03 0	4014586315089	Reciprocating blade	04	228
6 39 03 163 01 1	4014586200729	Blade, U-shape, 2-pack	04	233
6 39 03 165 21 0	4014586389653	1 Sanding plate with holes SL	04	219
6 39 03 166 01 6	4014586208862	Blade, 2-pack	04	227
6 39 03 167 05 4	4014586210889	Blade kit, BMW	04	-
6 39 03 167 25 7	4014586240794	Set for automobiles/car glaziers	04	235
6 39 03 167 32 0	4014586252445	Blade, accessory kits for auto glaziers, cargo and automobile workshops, 2-pack	04	235

Part number	EAN	Description	PC	Page
6 39 03 167 38 3	4014586265032	Car glazier kit	04	235
6 39 03 167 58 0	4014586307503	Accessory set for tile restoration/bathroom renovation	04	229
6 39 03 167 59 0	4014586307510	Accessory set for heating/sanitary installation	04	229
6 39 03 167 66 0	4014586343549	Accessory set for interior construction work with wood	04	229
6 39 03 167 67 0	4014586343556	Accessory set for repairing/replacing windows	04	229
6 39 03 168 01 8	4014586210247	Blade, straight, 2-pack	04	234
6 39 03 169 01 2	4014586210261	Blade, straight, 2-pack	04	234
6 39 03 170 01 4	4014586210285	Blade, straight, 2-pack	04	234
6 39 03 171 01 3	4014586210308	Blade, straight, 2-pack	04	234
6 39 03 172 01 6	4014586211978	Blade, straight, 2-pack	04	234
6 39 03 173 01 0	4014586211985	Blade, straight, 2-pack	04	234
6 39 03 174 01 8	4014586213736	Blade, straight, 2-pack	04	234
6 39 03 176 01 5	4014586214245	Blade, straight, 2-pack	04	234
6 39 03 177 01 9	4014586214252	Blade, straight, 2-pack	04	234
6 39 03 181 01 2	4014586215785	Blade, straight, 2-pack	04	234
6 39 03 182 01 5	4014586216010	Blade, straight, 2-pack	04	234
6 39 03 183 01 9	4014586216539	Cutter blade, 2-pack	04	-
6 39 03 184 01 7	4014586216546	Cutter blade, 2-pack	04	-
6 39 03 185 01 1	4014586216553	Cutter blade, 2-pack	04	-
6 39 03 186 01 4	4014586216560	Cutter blade, 2-pack	04	-
6 39 03 191 01 1	4014586217376	Blade, U-shape, 2-pack	04	233
6 39 03 194 01 6	4014586221878	Blade, straight, 2-pack	04	234
6 39 03 195 01 0	4014586223513	Blade, curved, 2-pack	04	234
6 39 03 196 01 3	4014586222974	Reciprocating blade 1ea	04	228
6 39 03 196 02 0	4014586315096	Reciprocating blade	04	228
6 39 03 197 01 7	4014586223506	Blade, straight, 2-pack	04	232
6 39 03 198 01 5	4014586223469	Blade, straight, 2-pack	04	234
6 39 03 200 21 0	4014586389660	Cutting blade SLP	04	219
6 39 03 201 21 0	4014586389677	Cutting blade SLP	04	219
6 39 03 202 21 0	4014586389684	Cutting blade SLP	04	219
6 39 03 203 01 3	4014586228488	Blade, 2-pack	04	234
6 39 03 206 01 8	4014586240930	Squeegee, 2/pack	04	228
6 39 03 207 01 2	4014586240947	Blade, L-shape, 2-pack	04	233
6 39 03 208 01 0	4014586240954	Blade, L-shape, 2-pack	04	233
6 39 03 209 01 4	4014586245133	Blade, L-shape, 2-pack	04	233
6 39 03 210 01 6	4014586245140	Blade, U-shape, 2-pack	04	233
6 39 03 211 01 5	4014586245157	Blade, U-shape, 2-pack	04	233
6 39 03 212 01 8	4014586245164	Blade, U-shape, 2-pack	04	233
6 39 03 216 01 7	4014586258164	Cutter blade, straight, 2-pack	04	234
6 39 03 217 01 1	4014586265810	Blade, hooked, 2-pack	04	235
6 39 03 220 01 0	4014586274508	Circular blade, single	04	227
6 39 03 221 01 0	4014586291970	Tilers cutting blade 2-pack	04	228
6 39 03 222 01 0	4014586293905	Tilers cutting blade 2-pack	04	228
6 39 03 223 01 0	4014586293912	Tilers cutting blade 2-pack	04	228
6 39 03 224 01 0	4014586294223	HM Segment saw blade	04	228
6 39 03 224 02 0	4014586294247	HM Segment saw blade, 5-pack	04	228
6 39 03 225 01 0	4014586294254	HM Segment saw blade	04	227
6 39 03 225 02 0	4014586294261	HM Segment saw blade, 5-pack	04	227
6 39 03 226 21 0	4014586389691	Fixed Scraper Blade SL 34 x 52	04	219
6 39 03 227 01 0	4014586342078	Squeegee, 2/pack	04	228
6 39 03 228 01 0	4014586341507	Cutting tool	04	229
6 39 03 229 01 0	4014586341514	Cutting tool	04	229
6 39 03 230 01 0	4014586341521	Cutting tool	04	229
6 39 03 231 01 0	4014586341538	Cutting tool	04	229
6 39 03 233 21 0	4014586389707	Cutting blade SLP	04	219
6 39 03 234 21 0	4014586389714	Fixed Scraper Blade SLP 41 x 52	04	219
6 39 03 235 21 0	4014586389721	HSS circular knife SLP Ø 100	04	219
6 39 03 236 23 0	4014586389776	Cutting blade SLM 60 x 30 (5)	04	222
6 39 03 237 21 0	4014586391175	Diamond cleaning knife SLM 60 x 31 (1)	04	222
6 39 03 237 23 0	4014586391182	Diamond cleaning knife SLM 60 x 31 (5)	04	222
6 39 03 238 21 0	4014586389738	Cutting blade SLM 68 x 1 (1)	04	222
6 39 03 239 23 0	4014586389745	Cutting blade SLM 60 x 2 (5)	04	222
6 39 03 240 21 0	4014586391199	Carbide saw blade segmented SLM 1,2 (1)	04	221
6 39 03 240 23 0	4014586391205	Carbide saw blade segmented SLM 1,2 (5)	04	221
6 39 03 241 21 0	4014586391212	Carbide saw blade segmented SLM 2,2 (1)	04	221
6 39 03 241 23 0	4014586391229	Carbide saw blade segmented SLM 2,2 (5)	04	221
6 39 03 242 21 0	4014586391236	Diamond-coated saw blade segmented SLM 1,2 (1)	04	222
6 39 03 242 23 0	4014586391243	Diamond-coated saw blade segmented SLM 1,2 (5)	04	222
6 39 03 243 21 0	4014586391250	Diamond-coated saw blade segmented SLM 2,2 (1)	04	222
6 39 03 243 23 0	4014586391267	Diamond-coated saw blade segmented SLM 2,2 (5)	04	222
6 39 03 244 22 0	4014586389783	segmented segmented SLM 42,63 (2)	04	221
6 39 03 245 23 0	4014586389752	Cutting blade mushroom-shaped SL (5)	04	219
6 39 03 246 22 0	4014586392615	Cutting tool	04	222
6 39 03 247 22 0	4014586392622	Cutting tool	04	222
6 39 03 248 22 0	4014586392639	Cutting tool	04	222
6 39 98 611 03 0	4014586621241	Protecting lattice	02	-

Part number	EAN	Description	PC	Page
6 40 01 010 00 2	4014586217314	Grinding gauge	02	-
6 41 31 019 01 0	4014586369877	Vice installation kit	02	78
6 42 01 001 00 0	4014586307305	Hook f. chip removal	02	-
6 42 01 005 01 0	4014586376554	Magbrush	02	170
6 42 03 001 00 0	4014586325118	Holder	02	-
6 42 04 001 01 0	4014586351988	Cutting wire	02	57
6 42 04 002 01 0	4014586354354	Anti-Metal-Cut set	02	57
6 42 04 003 01 0	4014586371177	Extension	02	57
6 99 02 000 00 0	4014586277479	Dust collector	13	253
6 99 02 000 14 6	4014586330693	Pipe cleaning unit GIC	13	255
6 99 02 000 14 7	4014586364636	Device for dust extract	13	253
6 99 02 000 14 8	4014586369129	Stainless steel sanding support	13	253
6 99 02 000 14 9	4014586369136	Stainless steel sanding support	13	254
6 99 02 000 15 0	4014586369143	Mitre joint unit for preparation of welded seams	13	253
6 99 02 000 15 1	4014586369150	Mitre joint unit for preparation of welded seams	13	254
6 99 02 000 15 2	4014586375885	Emergency stop for GIMS switch	13	-
6 99 02 000 18 7	4014586372655	Contact roller Ø 193.7/150	13	254
6 99 02 001 00 0	4014586277486	Length stop	13	252
6 99 02 002 00 0	4014586277493	Connector	02	-
6 99 02 004 00 0	4014586277516	Stainless steel jaws for GXR	06	252
6 99 02 006 00 0	4014586277530	Steel brush Ø 250 x 60 x 34 x 0.2 mm	12	253
6 99 02 007 00 0	4014586277547	Steel brush Ø 250 x 60 x 34x 0.35 mm	12	253
6 99 02 008 00 0	4014586277554	Steel brush Ø 250 x 60 x 34x 0.5 mm	12	253
6 99 02 009 00 0	4014586277561	Stainless steel brush Ø 250 x 60 x 34 x 0.2 mm	12	253
6 99 02 010 00 0	4014586277578	Stainless steel brush Ø 250 x 60 x 34x 0.35 mm	12	253
6 99 02 020 00 0	4014586277677	Contact roller Ø 16.0 /75	13	252
6 99 02 021 00 0	4014586277684	Contact roller Ø 17.0 /75	13	252
6 99 02 022 00 0	4014586277691	Contact roller Ø 17.2 /75	13	252
6 99 02 023 00 0	4014586277707	Contact roller Ø 18.0 /75	13	252
6 99 02 024 00 0	4014586277714	Contact roller Ø 19.0 /75	13	252
6 99 02 025 00 0	4014586277721	Contact roller Ø 20.0 /75	13	252
6 99 02 026 00 0	4014586277738	Contact roller Ø 21.0 /75	13	252
6 99 02 027 00 0	4014586277745	Contact roller Ø 21.3 /75	13	252
6 99 02 028 00 0	4014586277752	Contact roller Ø 22.0 /75	13	252
6 99 02 029 00 0	4014586277769	Contact roller Ø 22.2 /75	13	252
6 99 02 030 00 0	4014586277776	Contact roller Ø 22.5 /75	13	252
6 99 02 031 00 0	4014586277783	Contact roller Ø 23.0 /75	13	252
6 99 02 032 00 0	4014586277790	Contact roller Ø 23.1 /75	13	252
6 99 02 033 00 0	4014586277806	Contact roller Ø 24.0 /75	13	252
6 99 02 034 00 0	4014586277813	Contact roller Ø 24.5 /75	13	252
6 99 02 035 00 0	4014586277820	Contact roller Ø 25.0 /75	13	252
6 99 02 036 00 0	4014586277837	Contact roller Ø 25.4 /75	13	252
6 99 02 037 00 0	4014586277844	Contact roller Ø 25.9 /75	13	252
6 99 02 038 00 0	4014586277851	Contact roller Ø 26.0 /75	13	252
6 99 02 039 00 0	4014586277868	Contact roller Ø 26.4 /75	13	252
6 99 02 040 00 0	4014586277875	Contact roller Ø 26.9 /75	13	252
6 99 02 041 00 0	4014586277882	Contact roller Ø 27.0 /75	13	252
6 99 02 042 00 0	4014586277899	Contact roller Ø 28.0 /75	13	252
6 99 02 043 00 0	4014586277905	Contact roller Ø 28.6 /75	13	252
6 99 02 044 00 0	4014586277912	Contact roller Ø 28.8 /75	13	252
6 99 02 045 00 0	4014586277929	Contact roller Ø 29.0 /75	13	252
6 99 02 046 00 0	4014586277936	Contact roller Ø 30.0 /75	13	252
6 99 02 047 00 0	4014586277943	Contact roller Ø 31.7 /75	13	252
6 99 02 048 00 0	4014586277950	Contact roller Ø 32.0 /75	13	252
6 99 02 049 00 0	4014586277967	Contact roller Ø 33.0 /75	13	252
6 99 02 050 00 0	4014586277974	Contact roller Ø 33.7 /75	13	252
6 99 02 051 00 0	4014586277981	Contact roller Ø 34.0 /75	13	252
6 99 02 052 00 0	4014586277998	Contact roller Ø 35.0 /75	13	252
6 99 02 053 00 0	4014586278001	Contact roller Ø 36.0 /75	13	252
6 99 02 054 00 0	4014586278018	Contact roller Ø 37.5 /75	13	252
6 99 02 055 00 0	4014586278025	Contact roller Ø 38.0 /75	13	252
6 99 02 056 00 0	4014586278032	Contact roller Ø 38.1 /75	13	252
6 99 02 057 00 0	4014586278049	Contact roller Ø 38.3 /75	13	252
6 99 02 058 00 0	4014586278056	Contact roller Ø 40.0 /75	13	252
6 99 02 059 00 0	4014586278063	Contact roller Ø 41.0 /75	13	252
6 99 02 060 00 0	4014586278070	Contact roller Ø 41.2 /75	13	252
6 99 02 061 00 0	4014586278087	Contact roller Ø 42.0 /75	13	252
6 99 02 062 00 0	4014586278094	Contact roller Ø 42.4 /75	13	252
6 99 02 063 00 0	4014586278100	Contact roller Ø 42.6 /75	13	252
6 99 02 064 00 0	4014586278117	Contact roller Ø 43.0 /75	13	252
6 99 02 065 00 0	4014586278124	Contact roller Ø 43.3 /75	13	252
6 99 02 066 00 0	4014586278131	Contact roller Ø 44.0 /75	13	252
6 99 02 067 00 0	4014586278148	Contact roller Ø 44.5 /75	13	252
6 99 02 068 00 0	4014586278155	Contact roller Ø 45.0 /75	13	252
6 99 02 069 00 0	4014586278162	Contact roller Ø 46.0 /75	13	252
6 99 02 070 00 0	4014586278179	Contact roller Ø 48.0 /75	13	252

Part number	EAN	Description	PC	Page
6 99 02 071 00 0	4014586278186	Contact roller Ø 48.3 /75	13	252
6 99 02 072 00 0	4014586278193	Contact roller Ø 49.0 /75	13	252
6 99 02 073 00 0	4014586278209	Contact roller Ø 50.0 /75	13	252
6 99 02 074 00 0	4014586278216	Contact roller Ø 50.8 /75	13	252
6 99 02 075 00 0	4014586278223	Contact roller Ø 51.0 /75	13	252
6 99 02 076 00 0	4014586278230	Contact roller Ø 53.0 /75	13	252
6 99 02 077 00 0	4014586278247	Contact roller Ø 53.7 /75	13	252
6 99 02 078 00 0	4014586278254	Contact roller Ø 54.0 /75	13	252
6 99 02 079 00 0	4014586278261	Contact roller Ø 55.0 /75	13	252
6 99 02 080 00 0	4014586278278	Contact roller Ø 57.0 /75	13	252
6 99 02 081 00 0	4014586278285	Contact roller Ø 58.0 /75	13	252
6 99 02 082 00 0	4014586278292	Contact roller Ø 59.0 /75	13	252
6 99 02 083 00 0	4014586278308	Contact roller Ø 60.0 /75	13	252
6 99 02 084 00 0	4014586278315	Contact roller Ø 60.3 /75	13	252
6 99 02 085 00 0	4014586278322	Contact roller Ø 63.0 /75	13	252
6 99 02 086 00 0	4014586278339	Contact roller Ø 63.5 /75	13	252
6 99 02 087 00 0	4014586278346	Contact roller Ø 65.0 /75	13	252
6 99 02 088 00 0	4014586278353	Contact roller Ø 67.0 /75	13	252
6 99 02 089 00 0	4014586278360	Contact roller Ø 69.0 /75	13	252
6 99 02 090 00 0	4014586278377	Contact roller Ø 70.0 /75	13	252
6 99 02 091 00 0	4014586278384	Contact roller Ø 73.0 /75	13	252
6 99 02 092 00 0	4014586278391	Contact roller Ø 75.0 /75	13	252
6 99 02 093 00 0	4014586278407	Contact roller Ø 76.0 /75	13	252
6 99 02 094 00 0	4014586278414	Contact roller Ø 76.1 /75	13	252
6 99 02 095 00 0	4014586278421	Contact roller Ø 76.2 /75	13	252
6 99 02 096 00 0	4014586278438	Contact roller Ø 80.0 /75	13	252
6 99 02 097 00 0	4014586278445	Contact roller Ø 82.5 /75	13	252
6 99 02 098 00 0	4014586278452	Contact roller Ø 88.9 /75	13	252
6 99 02 099 00 0	4014586278469	Contact roller Ø 90.0 /75	13	252
6 99 02 100 00 0	4014586278476	Grinding/cooling emulsion 10 litre	13	253
6 99 02 101 00 0	4014586283098	Contact roller Ø 20.0 /150	13	254
6 99 02 102 00 0	4014586283104	Contact roller Ø 22.0 /150	13	254
6 99 02 103 00 0	4014586283111	Contact roller Ø 25.0 /150	13	254
6 99 02 104 00 0	4014586283128	Contact roller Ø 25.4 /150	13	254
6 99 02 105 00 0	4014586283135	Contact roller Ø 26.9 /150	13	254
6 99 02 106 00 0	4014586283142	Contact roller Ø 28.0 /150	13	254
6 99 02 107 00 0	4014586283159	Contact roller Ø 30.0 /150	13	254
6 99 02 108 00 0	4014586283166	Contact roller Ø 32.0 /150	13	254
6 99 02 109 00 0	4014586283173	Contact roller Ø 33.7 /150	13	254
6 99 02 110 00 0	4014586283180	Contact roller Ø 35.0 /150	13	254
6 99 02 111 00 0	4014586283197	Contact roller Ø 38.0 /150	13	254
6 99 02 112 00 0	4014586283203	Contact roller Ø 38.1 /150	13	254
6 99 02 113 00 0	4014586283210	Contact roller Ø 38.3 /150	13	254
6 99 02 114 00 0	4014586283227	Contact roller Ø 40.0 /150	13	254
6 99 02 115 00 0	4014586283234	Contact roller Ø 42.4 /150	13	254
6 99 02 116 00 0	4014586283241	Contact roller Ø 44.5 /150	13	254
6 99 02 117 00 0	4014586283258	Contact roller Ø 48.3 /150	13	254
6 99 02 118 00 0	4014586283265	Contact roller Ø 50.0 /150	13	254
6 99 02 119 00 0	4014586283272	Contact roller Ø 50.8 /150	13	254
6 99 02 120 00 0	4014586283289	Contact roller Ø 60.0 /150	13	254
6 99 02 121 00 0	4014586283296	Contact roller Ø 60.3 /150	13	254
6 99 02 122 00 0	4014586283302	Contact roller Ø 63.5 /150	13	254
6 99 02 123 00 0	4014586283319	Contact roller Ø 69.0 /150	13	254
6 99 02 124 00 0	4014586283326	Contact roller Ø 76.1 /150	13	254
6 99 02 125 00 0	4014586283333	Contact roller Ø 76.2 /150	13	254
6 99 02 126 00 0	4014586283340	Contact roller Ø 84.0 /150	13	254
6 99 02 127 00 0	4014586283357	Contact roller Ø 88.9 /150	13	254
6 99 02 128 00 0	4014586283364	Contact roller Ø 101.6 /150	13	254
6 99 02 129 00 0	4014586283371	Contact roller Ø 104.0 /150	13	254
6 99 02 130 00 0	4014586283388	Contact roller Ø 108.0 /150	13	254
6 99 02 131 00 0	4014586283395	Contact roller Ø 114.3 /150	13	254
6 99 02 132 00 0	4014586283401	Contact roller Ø 133.0 /150	13	254
6 99 02 133 00 0	4014586283418	Contact roller Ø 139.7 /150	13	254
6 99 02 134 00 0	4014586283425	Contact roller Ø 168.3 /150	13	254
6 99 02 136 00 0	4014586284613	Classic	13	-
6 99 02 155 00 0	4014586284835	Contact roller Ø 152.4 / 150	13	-
6 99 02 157 00 0	4014586284859	Sliding table for profiles	13	-
6 99 02 158 00 0	4014586284934	Classic	13	-
6 99 02 159 00 0	4014586284965	GU300 Surface grinding	13	-
6 99 02 160 00 0	4014586284972	Classic	13	-
6 99 02 161 00 0	4014586284989	Contact grinding kit for GU150DS/2H	13	-
6 99 02 162 00 0	4014586284996	Classic	13	-
6 99 02 163 00 0	4014586285009	Clamping jaws for vice GU	13	-
6 99 02 165 00 0	4014586285023	Fixing unit for roller support	13	-
6 99 02 169 00 0	4014586285061	Classic	13	-
6 99 02 172 00 0	4014586285092	Classic	13	-



Part number	EAN	Description	PC	Page
6 99 02 173 00 0	4014586284941	Classic	13	-
6 99 02 174 00 0	4014586284958	GR910 bløde bakker - alu	13	-
6 99 02 175 00 0	4014586285511	Mitre grinding plate GIG	13	254
6 99 02 176 00 0	4014586285528	Swivel joint GIT for GIL	13	255
6 99 02 179 60 0	4014586349381	Pipe support	13	253
6 99 02 180 00 0	4014586285566	Fittings for angle support	13	-
6 99 02 180 60 0	4014586351193	Pipe support	13	253
6 99 02 181 60 0	4014586351209	Pipe support	13	253
6 99 02 182 00 0	4014586285580	Suction socket for GIR	13	254
6 99 02 183 00 0	4014586285597	Plugbox 2 x 7 poles	13	255
6 99 02 186 00 0	4014586288499	Connecting piece	13	252
6 99 02 187 00 0	4014586288482	Connecting piece	13	253
6 99 02 188 00 0	4014586290683	Contact roller Ø 16.0 /150	13	-
6 99 02 189 00 0	4014586290706	Contact roller Ø 18.0 /150	13	-
6 99 02 190 00 0	4014586290713	Contact roller Ø 19.0 /150	13	-
6 99 02 191 00 0	4014586290720	Contact roller Ø 19.1 /150	13	-
6 99 02 192 00 0	4014586290737	Contact roller Ø 21.0 /150	13	-
6 99 02 193 00 0	4014586290744	Contact roller Ø 21.3 /150	13	-
6 99 02 194 00 0	4014586290751	Contact roller Ø 22.3 /150	13	-
6 99 02 195 00 0	4014586290768	Contact roller Ø 23.0 /150	13	-
6 99 02 196 00 0	4014586290775	Contact roller Ø 23.2 /150	13	-
6 99 02 197 00 0	4014586290782	Contact roller Ø 24.3 /150	13	-
6 99 02 198 00 0	4014586290799	Contact roller Ø 26.1 /150	13	-
6 99 02 199 00 0	4014586290805	Contact roller Ø 26.7 /150	13	-
6 99 02 200 00 0	4014586290812	Contact roller Ø 27.0 /150	13	-
6 99 02 201 00 0	4014586290829	Contact roller Ø 28.3 /150	13	-
6 99 02 202 00 0	4014586290836	Contact roller Ø 28.6 /150	13	-
6 99 02 203 00 0	4014586290843	Contact roller Ø 29.2 /150	13	-
6 99 02 204 00 0	4014586290850	Contact roller Ø 31.1 /150	13	-
6 99 02 205 00 0	4014586290867	Contact roller Ø 31.5 /150	13	-
6 99 02 206 00 0	4014586290874	Contact roller Ø 31.8 /150	13	-
6 99 02 207 00 0	4014586290881	Contact roller Ø 33.0 /150	13	-
6 99 02 208 00 0	4014586290898	Contact roller Ø 33.4 /150	13	-
6 99 02 209 00 0	4014586290904	Contact roller Ø 34.0 /150	13	-
6 99 02 210 00 0	4014586290911	Contact roller Ø 37.4 /150	13	-
6 99 02 211 00 0	4014586290928	Contact roller Ø 39.8 /150	13	-
6 99 02 212 00 0	4014586290935	Contact roller Ø 40.1 /150	13	-
6 99 02 213 00 0	4014586290942	Contact roller Ø 41.3 /150	13	-
6 99 02 214 00 0	4014586290959	Contact roller Ø 42.0 /150	13	-
6 99 02 215 00 0	4014586290966	Contact roller Ø 42.1 /150	13	-
6 99 02 216 00 0	4014586290973	Contact roller Ø 42.2 /150	13	-
6 99 02 217 00 0	4014586290980	Contact roller Ø 43.0 /150	13	-
6 99 02 218 00 0	4014586290997	Contact roller Ø 45.0 /150	13	-
6 99 02 219 00 0	4014586291000	Contact roller Ø 45.7 /150	13	-
6 99 02 221 00 0	4014586291024	Contact roller Ø 47.4 /150	13	-
6 99 02 222 00 0	4014586291031	Contact roller Ø 48.0 /150	13	-
6 99 02 223 00 0	4014586291048	Contact roller Ø 49.0 /150	13	-
6 99 02 224 00 0	4014586291055	Contact roller Ø 50.1 /150	13	-
6 99 02 225 00 0	4014586291062	Contact roller Ø 51.0 /150	13	-
6 99 02 226 00 0	4014586291086	Contact roller Ø 52.0 /150	13	-
6 99 02 227 00 0	4014586291093	Contact roller Ø 93.2 /150	13	-
6 99 02 228 00 0	4014586291109	Contact roller Ø 107.0 /150	13	-
6 99 02 229 00 0	4014586291116	Contact roller Ø 54.0 /150	13	-
6 99 02 230 00 0	4014586291123	Contact roller Ø 55.0 /150	13	-
6 99 02 231 00 0	4014586291130	Contact roller Ø 57.0 /150	13	-
6 99 02 232 00 0	4014586291147	Contact roller Ø 57.8 /150	13	-
6 99 02 233 00 0	4014586291154	Contact roller Ø 58.0 /150	13	-
6 99 02 234 00 0	4014586291161	Contact roller Ø 59.5 /150	13	-
6 99 02 235 00 0	4014586291178	Contact roller Ø 62.0 /150	13	-
6 99 02 236 00 0	4014586291185	Contact roller Ø 63.0 /150	13	-
6 99 02 237 00 0	4014586291192	Contact roller Ø 64.2 /150	13	-
6 99 02 238 00 0	4014586291208	Contact roller Ø 65.0 /150	13	-
6 99 02 239 00 0	4014586291215	Contact roller Ø 66.0 /150	13	-
6 99 02 240 00 0	4014586291222	Contact roller Ø 66.3 /150	13	-
6 99 02 241 00 0	4014586291239	Contact roller Ø 66.7 /150	13	-
6 99 02 242 00 0	4014586291246	Contact roller Ø 67.1 /150	13	-
6 99 02 243 00 0	4014586291253	Contact roller Ø 69.9 /150	13	-
6 99 02 244 00 0	4014586291260	Contact roller Ø 70.0 /150	13	-
6 99 02 245 00 0	4014586291277	Contact roller Ø 73.0 /150	13	-
6 99 02 246 00 0	4014586291284	Contact roller Ø 73.8 /150	13	-
6 99 02 247 00 0	4014586291291	Contact roller Ø 75.0 /150	13	-
6 99 02 248 00 0	4014586291307	Contact roller Ø 75.1 /150	13	-
6 99 02 249 00 0	4014586291314	Contact roller Ø 76.0 /150	13	-
6 99 02 250 00 0	4014586291321	Contact roller Ø 78.0 /150	13	-
6 99 02 251 00 0	4014586291338	Contact roller Ø 79.4 /150	13	-
6 99 02 252 00 0	4014586291345	Contact roller Ø 79.8 /150	13	-

Part number	EAN	Description	PC	Page
6 99 02 253 00 0	4014586291352	Contact roller Ø 80.0 /150	13	-
6 99 02 254 00 0	4014586291369	Contact roller Ø 80.2 /150	13	-
6 99 02 255 00 0	4014586291376	Contact roller Ø 81.0 /150	13	-
6 99 02 256 00 0	4014586291383	Contact roller Ø 82.0 /150	13	-
6 99 02 257 00 0	4014586291390	Contact roller Ø 82.1 /150	13	-
6 99 02 258 00 0	4014586291406	Contact roller Ø 82.5 /150	13	-
6 99 02 259 00 0	4014586291413	Contact roller Ø 83.0 /150	13	-
6 99 02 260 00 0	4014586291420	Contact roller Ø 84.1 /150	13	-
6 99 02 261 00 0	4014586291437	Contact roller Ø 85.0 /150	13	-
6 99 02 262 00 0	4014586291444	Contact roller Ø 86.7 /150	13	-
6 99 02 263 00 0	4014586291451	Contact roller Ø 87.0 /150	13	-
6 99 02 264 00 0	4014586291468	Contact roller Ø 88.0 /150	13	-
6 99 02 265 00 0	4014586291475	Contact roller Ø 89.0 /150	13	-
6 99 02 266 00 0	4014586291482	Contact roller Ø 89.3 /150	13	-
6 99 02 267 00 0	4014586291499	Contact roller Ø 89.9 /150	13	-
6 99 02 268 00 0	4014586291505	Contact roller Ø 90.0 /150	13	-
6 99 02 269 00 0	4014586291512	Contact roller Ø 92.0 /150	13	-
6 99 02 271 00 0	4014586291543	Contact roller Ø 100.0 /150	13	-
6 99 02 272 00 0	4014586291635	Contact roller Ø 100.5 /150	13	-
6 99 02 273 00 0	4014586291642	Contact roller Ø 101.0 /150	13	-
6 99 02 274 00 0	4014586291659	Contact roller Ø 101.3 /150	13	-
6 99 02 275 00 0	4014586291987	Contact roller Ø 102.0 /150	13	-
6 99 02 276 00 0	4014586291994	Contact roller Ø 102.5 /150	13	-
6 99 02 277 00 0	4014586292007	Contact roller Ø 102.6 /150	13	-
6 99 02 278 00 0	4014586292014	Contact roller Ø 105.0 /150	13	-
6 99 02 279 00 0	4014586292021	Contact roller Ø 106.7 /150	13	-
6 99 02 281 00 0	4014586292045	Contact roller Ø 110.0 /150	13	-
6 99 02 282 00 0	4014586292052	Contact roller Ø 114.0 /150	13	-
6 99 02 283 00 0	4014586292069	Contact roller Ø 115.0 /150	13	-
6 99 02 284 00 0	4014586292076	Contact roller Ø 117.0 /150	13	-
6 99 02 285 00 0	4014586292083	Contact roller Ø 118.0 /150	13	-
6 99 02 286 00 0	4014586292090	Contact roller Ø 118.2 /150	13	-
6 99 02 287 00 0	4014586292106	Contact roller Ø 120.0 /150	13	-
6 99 02 288 00 0	4014586292113	Contact roller Ø 121.0 /150	13	-
6 99 02 289 00 0	4014586293080	Contact roller Ø 122.0 /150	13	-
6 99 02 290 00 0	4014586292120	Contact roller Ø 124.0 /150	13	-
6 99 02 291 00 0	4014586292137	Contact roller Ø 125.0 /150	13	-
6 99 02 292 00 0	4014586292144	Contact roller Ø 127.0 /150	13	-
6 99 02 293 00 0	4014586292151	Contact roller Ø 127.5 /150	13	-
6 99 02 294 00 0	4014586292168	Contact roller Ø 128.0 /150	13	-
6 99 02 295 00 0	4014586292175	Contact roller Ø 129.0 /150	13	-
6 99 02 296 00 0	4014586292182	Contact roller Ø 130.0 /150	13	-
6 99 02 297 00 0	4014586292199	Contact roller Ø 135.0 /150	13	-
6 99 02 298 00 0	4014586292205	Contact roller Ø 138.0 /150	13	-
6 99 02 299 00 0	4014586292212	Contact roller Ø 139.0 /150	13	-
6 99 02 300 00 0	4014586292229	Contact roller Ø 140.0 /150	13	-
6 99 02 301 00 0	4014586292236	Contact roller Ø 141.3 /150	13	-
6 99 02 302 00 0	4014586292243	Contact roller Ø 141.9 /150	13	-
6 99 02 303 00 0	4014586292250	Contact roller Ø 144.2 /150	13	-
6 99 02 304 00 0	4014586292267	Contact roller Ø 15.0 /150	13	-
6 99 02 305 00 0	4014586292274	Contact roller Ø 150.0 /150	13	-
6 99 02 306 00 0	4014586292281	Contact roller Ø 152.0 /150	13	-
6 99 02 308 00 0	4014586292304	Contact roller Ø 154.0 /150	13	-
6 99 02 309 00 0	4014586292311	Contact roller Ø 159.0 /150	13	-
6 99 02 310 00 0	4014586292328	Contact roller Ø 160.0 /150	13	-
6 99 02 311 00 0	4014586292335	Contact roller Ø 163.0 /150	13	-
6 99 02 312 00 0	4014586292342	Contact roller Ø 165.0 /150	13	-
6 99 02 313 00 0	4014586292359	Contact roller Ø 165.1 /150	13	-
6 99 02 314 00 0	4014586292366	Contact roller Ø 168.0 /150	13	-
6 99 02 315 00 0	4014586292373	Contact roller Ø 172.2 /150	13	-
6 99 02 316 00 0	4014586292380	Contact roller Ø 180.0 /150	13	-
6 99 02 317 00 0	4014586292397	Contact roller Ø 188.4 /150	13	-
6 99 02 318 00 0	4014586292403	Contact roller Ø 190.0 /150	13	-
6 99 02 319 00 0	4014586292410	Contact roller Ø 195.0 /150	13	-
6 99 02 320 00 0	4014586292427	Contact roller Ø 202.0 /150	13	-
6 99 02 321 00 0	4014586292533	Contact roller Ø 215.0 /150	13	-
6 99 02 322 00 0	4014586292540	Contact roller Ø 219.0 /150	13	-
6 99 02 323 00 0	4014586292557	Contact roller Ø 31.0 /150	13	-
6 99 02 324 00 0	4014586292564	Contact roller Ø 57.5 /150	13	-
6 99 02 326 00 0	4014586292588	Contact roller Ø 68.0	13	-
6 99 02 327 00 0	4014586292595	Contact roller Ø 84.0 /150	13	-
6 99 02 328 00 0	4014586292521	Guide arms, complete	13	-
6 99 02 332 00 0	4014586295435	Contact roller Ø 68.9 /150	13	-
6 99 02 333 00 0	4014586295718	Nylon roller support	13	-
6 99 02 335 00 0	4014586296609	Jawset vice	13	255
6 99 02 338 00 0	4014586299488	Stainless steel sanding support	13	251



Part number	EAN	Description	PC	Page
6 99 02 343 00 0	4014586349398	Spark box with dust extraction	13	252
6 99 02 344 00 0	4014586349404	Stainless steel sanding support	13	253
6 99 02 345 00 0	4014586378589	Contact wheel D200 x 30, Shore 90	13	255
6 99 02 346 00 0	4014586379296	Contact disc	13	255
6 99 02 410 00 0	4014586299310	Drive wheel puller	06	255
6 99 03 000 00 0	4014586278483	Grinding belt 75 x 2000 K24 R 10 each	12	250
6 99 03 002 00 0	4014586278506	Grinding belt 75 x 2000 K36 R 10 each	12	250
6 99 03 003 00 0	4014586278513	Grinding belt 75 x 2000 K36 Z 10 each	12	250
6 99 03 004 00 0	4014586278520	Grinding belt 75 x 2000 K40 R 10 each	12	250
6 99 03 005 00 0	4014586278537	Grinding belt 75 x 2000 K40 Z 10 each	12	250
6 99 03 007 00 0	4014586278551	Grinding belt 75 x 2000 K60 R 10 each	12	250
6 99 03 008 00 0	4014586278568	Grinding belt 75 x 2000 K60 Z 10 each	12	250
6 99 03 009 00 0	4014586278575	Grinding belt 75 x 2000 K80 R 10 each	12	250
6 99 03 010 00 0	4014586278582	Grinding belt 75 x 2000 K80 Z 10 each	12	250
6 99 03 013 00 0	4014586278612	Grinding belt 75 x 2000 K120 R 10 each	12	250
6 99 03 014 00 0	4014586278629	Grinding belt 75 x 2000 K120 Z 10 each	12	250
6 99 03 017 00 0	4014586278650	Grinding belt 75 x 2000 K220 A 10 each	12	251
6 99 03 018 00 0	4014586278667	Grinding belt 75 x 2000 K320 A 10 each	12	251
6 99 03 019 00 0	4014586278674	Grinding belt 75 x 2000 K400 A 10 each	12	251
6 99 03 020 00 0	4014586278681	Grinding belt 75 x 2250 K36 R 10 each	12	250
6 99 03 021 00 0	4014586278698	Grinding belt 75 x 2250 K36 Z 10 each	12	251
6 99 03 025 00 0	4014586283524	Grinding belt 75 x 3000 K60 R 10 each	12	-
6 99 03 026 00 0	4014586283531	Grinding belt 75 x 3000 K60 Z 10 each	12	-
6 99 03 027 00 0	4014586283548	Grinding belt 75 x 3000 K80 R 10 each	12	-
6 99 03 028 00 0	4014586283555	Grinding belt 75 x 3000 K80 Z 10 each	12	-
6 99 03 029 00 0	4014586283562	Grinding belt 75 x 3000 K120 R 10 each	12	-
6 99 03 030 00 0	4014586283579	Grinding belt 75 x 3000 K120 Z 10 each	12	-
6 99 03 031 00 0	4014586283586	Grinding belt 75 x 3000 K220 A 10 each	12	-
6 99 03 032 00 0	4014586283593	Grinding belt 75 x 3000 K320 A 10 each	12	-
6 99 03 033 00 0	4014586283609	Grinding belt 75 x 3000 K400 A 10 each	12	-
6 99 03 034 00 0	4014586283616	Grinding belt 100 x 1000 K36 Z 10 each	12	251
6 99 03 035 00 0	4014586283623	Grinding belt 100 x 1000 K40 Z 10 each	12	251
6 99 03 036 00 0	4014586283630	Grinding belt 100 x 1000 K60 Z 10 each	12	251
6 99 03 037 00 0	4014586283647	Grinding belt 100 x 1000 K 80 Z 10 each	12	251
6 99 03 038 00 0	4014586283654	Grinding belt 100 x 1000 K120 Z 10 each	12	251
6 99 03 039 00 0	4014586283661	Grinding belt 150 x 2000 K24 R 10 each	12	250
6 99 03 040 00 0	4014586283678	Grinding belt 150 x 2000 K36 R 10 each	12	250
6 99 03 041 00 0	4014586283685	Grinding belt 150 x 2000 K36 Z 10 each	12	251
6 99 03 042 00 0	4014586283692	Grinding belt 150 x 2000 K40 R 10 each	12	250
6 99 03 043 00 0	4014586283708	Grinding belt 150 x 2000 K40 Z 10 each	12	251
6 99 03 044 00 0	4014586283715	Grinding belt 150 x 2000 K60 R 10 each	12	250
6 99 03 045 00 0	4014586283722	Grinding belt 150 x 2000 K60 Z 10 each	12	251
6 99 03 046 00 0	4014586283739	Grinding belt 150 x 2000 K80 R 10 each	12	250
6 99 03 047 00 0	4014586283746	Grinding belt 150 x 2000 K80 Z 10 each	12	251
6 99 03 048 00 0	4014586283753	Grinding belt 150 x 2000 K120 R 10 each	12	250
6 99 03 049 00 0	4014586283760	Grinding belt 150 x 2000 K120 Z 10 each	12	251
6 99 03 050 00 0	4014586283777	Grinding belt 150 x 2000 K220 A 10 each	12	251
6 99 03 051 00 0	4014586283784	Grinding belt 150 x 2000 K320 A 10 each	12	251
6 99 03 052 00 0	4014586283791	Grinding belt 150 x 2000 K400 A 10 each	12	251
6 99 03 053 00 0	4014586283807	Grinding belt 150 x 2250 K36 R 10 each	12	250
6 99 03 054 00 0	4014586283814	Grinding belt 150 x 2250 K36 Z 10 each	12	251
6 99 03 077 00 0	4014586292717	Grinding belt 50 x 2000 G24 R 10 each	12	-
6 99 03 097 00 0	4014586292915	Grinding belt 100 x 1000 G36 R 10 each	12	-
6 99 03 098 00 0	4014586292922	Grinding belt 100 x 1000 G60 R 10 each	12	-
6 99 03 099 00 0	4014586292939	Grinding belt 100 x 1000 G80 R 10 each	12	-
6 99 03 101 00 0	4014586292953	Grinding belt 100 x 2000 G36 R 10 each	12	-
6 99 03 106 00 0	4014586293929	Grinding belt 100 x 1510 G40 Z 10 each	12	-
6 99 03 110 00 0	4014586294353	Grinding belt 100 x 2000 G60 Z 10 each	12	-
6 99 03 111 00 0	4014586299235	Grinding belt 150 x 2400 K36 R 10 each	12	250
6 99 03 112 00 0	4014586299242	Grinding belt 150 x 2400 K36 Z 10 each	12	251
6 99 03 116 01 0	4014586329888	Fleece belt 150 x 2000 Coarse	12	251
6 99 03 117 01 0	4014586329895	Fleece belt 75 x 2000 Coarse	12	251
6 99 03 118 01 0	4014586329901	Fleece belt 150 x 2000 Medium	12	251
6 99 03 119 01 0	4014586329918	Fleece belt 75 x 2000 Medium	12	251
6 99 03 120 01 0	4014586329925	Fleece belt 150 x 2000 Very Fine	12	251
6 99 03 121 01 0	4014586329932	Fleece belt 75 x 2000 Very Fine	12	251
6 99 03 122 00 0	4014586368054	Grinding belt	12	250
6 99 03 122 01 0	4014586332369	Fleece belt set 75	12	-
6 99 03 123 01 0	4014586332376	Fleece belt set 150	12	-
6 99 03 126 00 0	4014586379029	Grinding belt Cubitron II 50 x 1000 K36 VE10	12	239
6 99 03 127 00 0	4014586379036	Grinding belt Cubitron II 50 x 1000 K60 VE10	12	239
6 99 03 128 00 0	4014586379043	Grinding belt Cubitron II 50 x 1000 K80 VE10	12	239
6 99 03 130 00 0	4014586379050	Grinding belt 50 x 1000 K36 Z 10 each	12	239
6 99 03 131 00 0	4014586379067	Grinding belt 50 x 1000 G60 Z 10 each	12	239
6 99 03 132 00 0	4014586379074	Grinding belt 50 x 1000 G80 Z 10 each	12	239
6 99 03 133 00 0	4014586379081	Grinding belt 50 x 1000 G120 Z 10 each	12	239

Part number	EAN	Description	PC	Page
6 99 03 134 00 0	4014586379098	Grinding belt 50 x 1000 G220 A 10 each	12	239
6 99 03 135 00 0	4014586379104	Grinding belt 50 x 1000 G320 A 10 each	12	239
6 99 03 136 00 0	4014586379111	Grinding belt 50 x 1000 G420 A 10 each	12	239
6 99 03 137 00 0	4014586379128	Grinding belt 50 x 1000 K36 R 10 each	12	239
6 99 03 138 00 0	4014586379135	Grinding belt 50 x 1000 K60 R 10 each	12	239
6 99 03 139 00 0	4014586379142	Grinding belt 50 x 1000 K80 R 10 each	12	239
6 99 03 140 00 0	4014586379159	Grinding belt 50 x 1000 K120 R 10 each	12	239
6 99 03 142 00 0	4014586379166	Fleece belt 50 x 1000 Coarse	12	239
6 99 03 143 00 0	4014586379173	Fleece belt 50 x 1000 Medium	12	239
6 99 03 144 00 0	4014586379180	Fleece belt 50 x 1000 Very Fine	12	239
6 99 03 145 00 0	4014586385891	Cubitron II 75 x 2000 36+ 10 p grinding belt	12	250
6 99 03 146 00 0	4014586385907	Cubitron II 75 x 2000 60+ 10 p grinding belt	12	250
6 99 03 147 00 0	4014586385914	Cubitron II 75 x 2000 80+ 10 p grinding belt	12	250
6 99 03 148 00 0	4014586385921	Cubitron II 150 x 2000 36+ 10p grinding belt	12	250
6 99 03 149 00 0	4014586385938	Cubitron II 150 x 2000 60+ 10p grinding belt	12	250
6 99 03 150 00 0	4014586385945	Cubitron II 150 x 2000 80+ 10p grinding belt	12	250
6 99 03 151 00 0	4014586385952	Cubitron II 75 x 2250 36+ 10 p grinding belt	12	250
6 99 03 152 00 0	4014586385969	Cubitron II 75 x 2250 60+ 10 p grinding belt	12	250
6 99 03 153 00 0	4014586385976	Cubitron II 75 x 2250 80+ 10 p grinding belt	12	250
6 99 03 154 00 0	4014586385983	Cubitron II 150 x 2250 36+ 10p grinding belt	12	250
6 99 03 155 00 0	4014586385990	Cubitron II 150 x 2250 60+ 10p grinding belt	12	250
6 99 03 156 00 0	4014586386003	Cubitron II 150 x 2250 80+ 10p grinding belt	12	250
9 01 02 009 01 0	4014586869537	AccuTec angled head 1/4", hexagon socket	05	-
9 01 02 010 01 0	4014586869544	AccuTec angled head 1/4", square head	05	-
9 01 02 011 01 0	4014586869551	AccuTec angled head 3/8", square head	05	-
9 01 02 012 01 0	4014586876894	AccuTec angled head 1/4", hexagon socket QuickLIN	05	36
9 01 02 013 01 0	4014586876900	AccuTec angled head 3/8", square head	05	36
9 01 02 014 01 0	4014586882703	Angled head Basic	05	36
9 01 02 015 02 0	4014586882802	Angled head	05	-
9 01 02 016 02 0	4014586882826	Angled head	05	-
9 01 04 006 01 0	4014586859767	Autofeed extension with strap guide	02	-
9 01 04 009 01 0	4014586871622	M55 X magazine	01	20
9 01 04 010 01 0	4014586871639	M55 X magazine extension with belt guide	02	20
9 01 05 002 01 8	4014586833682	Safety slipping clutch	02	73
9 06 04 008 01 3	4014586849805	Protective suction hood assy	02	101
9 06 04 009 01 7	4014586849829	Protective suction hood assy	02	101
9 06 06 002 00 9	4014586834467	Saw blade guide	02	144
9 07 01 002 01 0	4014586878522	Prism vice	02	78
9 07 02 001 00 1	4014586834498	Clamping fixture	02	144
9 07 02 003 00 8	4014586834511	Clamping fixture	02	144
9 07 02 004 00 6	4014586834528	Clamping fixture	02	144
9 07 02 005 00 0	4014586839783	FEIN clamp and feed device	02	144
9 12 01 002 00 4	4014586842868	Cooling lubrication	08	-
9 26 01 022 01 3	4014586846965	Vacuum pump assy	02	157
9 26 01 023 02 3	4014586847283	Compressor	08	-
9 26 02 030 01 4	4014586836805	Traction cable	04	235
9 26 02 054 01 6	4014586841342	Suction plate	02	157
9 26 02 055 01 0	4014586841335	Pipe drilling device	02	157
9 26 02 057 01 7	4014586843322	Vacuum plate assy	02	157
9 26 02 063 02 3	4014586844503	Dust Extraction	04	-
9 26 02 065 02 5	4014586845401	Dust Extraction	04	-
9 26 02 066 01 2	4014586846989	Tapping Unit	01	170
9 26 02 071 01 9	4014586851389	Profile set 160	01	134
9 26 02 072 01 2	4014586852478	Tapping Unit	01	170
9 26 02 074 01 4	4014586855080	Dust extraction device FSC	04	229
9 26 02 075 01 8	4014586855097	Device for dust extract	04	229
9 26 02 079 01 0	4014586857152	Tapping quick-change chuck	02	169
9 26 02 082 01 0	4014586861920	Tapping quick-change chuck	02	173
9 26 02 083 01 0	4014586860152	Table-top and drill jigs support	04	220
9 26 02 084 01 0	4014586863542	Device for dust extract	04	229
9 26 02 085 01 0	4014586867977	Vacuum plate	02	173
9 26 02 086 01 0	4014586868943	Dust Extraction	04	-
9 26 02 089 01 0	4014586878508	Tappingfast-rel.chuck	02	169
9 26 02 091 00 0	4014586882932	Dust extraction set FMM 350 Q / QSL	04	220
9 26 02 092 00 0	4014586882949	Dust extraction set FMT / FMM 250	04	220
9 26 04 057 02 1	4014586846750	Battery assy 9.6 V	02	-
9 26 04 059 02 3	4014586849089	Battery assy 12 V	02	-
9 26 04 067 02 0	4014586852805	NiCd battery, 9.6 V	02	-
9 26 04 068 02 8	4014586852812	NiCd battery, 12 V	02	-
9 26 04 069 02 2	4014586852829	NiCd battery, 14.4 V	02	-
9 26 04 070 02 4	4014586852836	NiMH battery 9.6 V	02	-
9 26 04 071 02 3	4014586852843	NiMH battery 12 V	02	-
9 26 04 072 02 6	4014586852850	NiMH battery 14.4 V	02	-
9 26 04 073 01 4	4014586852867	Rapid charger ALG 20	02	-
9 26 04 078 01 1	4014586852904	Charging adapter	02	-
9 26 04 079 02 1	4014586853574	NiCd battery, 12 V	02	35



Part number	EAN	Description	PC	Page
9 26 04 082 02 5	4014586855127	NiMH battery 9,6 V	02	35
9 26 04 084 02 7	4014586855141	NiMH battery 12 V / 2000 mAh	02	35
9 26 04 085 02 1	4014586854724	NiCd battery, 18 V	02	-
9 26 04 086 02 4	4014586854731	NiMH battery 18 V	02	-
9 26 04 096 01 0	4014586863986	Quick charger ALG 30	02	12
9 26 04 103 01 0	4014586862651	Charging adapter	02	35
9 26 04 104 01 0	4014586862668	Rapid charger ALG 40	02	35
9 26 04 111 01 0	4014586869308	Multi-charger ALS 40	02	35
9 26 04 129 01 0	4014586867687	Quick charger ALG 50	02	12
9 26 04 155 02 0	4014586869483	Li-Ion battery, 18 V	02	-
9 26 04 160 00 0	4014586871561	Contact holder	02	-
9 26 04 160 02 0	4014586872797	Battery Li-Ion 14,4 V	02	12
9 26 04 160 03 0	4014586877228	Battery Li-Ion 14,4 V	02	-
9 26 04 161 02 0	4014586872803	Li-Ion battery, 18 V	02	12
9 26 04 161 03 0	4014586880334	Li-Ion battery, 18 V	02	-
9 26 04 163 02 0	4014586872681	Programming adapter	02	36
9 26 04 164 02 0	4014586872810	Battery Li-Ion 14,4 V	02	12
9 26 04 164 03 0	4014586877235	Battery Li-Ion 14,4 V	02	-
9 26 04 165 02 0	4014586872827	Li-Ion battery, 18 V	02	12
9 26 04 165 03 0	4014586880341	Li-Ion battery, 18 V	02	-
9 26 04 166 02 0	4014586874449	Li-ion 10.8 - 14.4 V, 2 Ah, with charge monitoring display	02	-
9 26 04 168 02 0	4014586881157	Li-Ion battery, 12 V	02	12
9 26 04 170 02 0	4014586882727	Battery Li-Ion 14,4 V	02	12
9 26 04 171 02 0	4014586882734	Li-Ion battery, 18 V	02	12
9 26 04 172 02 0	4014586882741	Battery Li-Ion 14,4 V	02	12
9 26 04 173 02 0	4014586882758	Li-Ion battery, 18 V	02	12
9 26 04 200 02 0	4014586882819	Cordless ALED 12-18 V LED lamp	02	12
9 26 04 300 01 0	4014586881706	Battery starter set 18 V / 2.0 Ah	02	12
9 26 04 300 02 0	4014586881720	Battery starter set 18 V / 4.0 Ah	02	12
9 90 01 012 00 0	4014586880488	GRIT GHBD grinding station	01	239

Part number	Sound pressure level L_{pA} (dB)	Uncertainty of measured value K_{pA} (dB)	Sound power level L_{WA} (dB)	Uncertainty of measured value K_{WA} (dB)	Sound peak value L_{pCpeak} (dB)	Uncertainty of measured value K_{pCpeak} (dB)	Vibration value 1 a_{hv} 3-way (m/s ²)	Uncertainty of measured value K_a (m/s ²)	Vibration value 2 a_{hv} 3-way (m/s ²)
7 104 05 61 00 0	85	3	96	3	104	3	0,5	1,5	10,5
7 104 05 62 00 0	85	3	96	3	104	3	0,5	1,5	10,5
7 104 06 61 00 0	87	3	98	3	106	3	0,6	1,5	12,1
7 104 06 62 00 0	87	3	98	3	106	3	0,6	1,5	12,1
7 104 06 63 00 0	87	3	98	3	106	3	0,6	1,5	12,1
7 105 01 61 00 0	75	3	86	3	91	3	2,7	1,5	
7 105 01 62 00 0	75	3	86	3	91	3	2,7	1,5	
7 105 02 61 00 0	75	3	86	3	89	3	1,8	1,5	
7 105 02 62 00 0	75	3	86	3	89	3	1,8	1,5	
7 105 03 61 00 0	75	3	86	3	91	3	2,5	1,5	
7 105 03 62 00 0	75	3	86	3	91	3	2,5	1,5	
7 105 04 61 00 0	75	3	86	3	89	3	1,8	1,5	
7 105 04 62 00 0	75	3	86	3	89	3	1,8	1,5	
7 112 28 00 95 0	67	3	78	3	81	3	0,2	1,5	
7 112 40 00 95 0	71	3	71	3	82	3	0,4	1,5	
7 112 42 00 95 0	71	3	82	3	86	3	0,4	1,5	
7 112 50 00 95 0	62	3	73	3	80	3	0,4	1,5	
7 112 51 00 95 0	60	3	71	3	76	3	0,4	1,5	
7 112 52 00 95 0	65	3	76	3	81	3	0,6	1,5	
7 112 53 00 95 0	70,8	3	81,8	3	86,1	3	0,5	1,5	
7 112 54 00 95 0	63,9	3	74,9	3	81	3	0,2	1,5	
7 112 55 00 95 0	66,3	3	77,3	3	81	3	0,3	1,5	
7 112 56 00 95 0	66,8	3	77,8	3	81	3	0,3	1,5	
7 112 57 00 95 0	67	3	78	3	81	3	0,5	1,5	
7 112 58 00 95 0	64,6	3	75,6	3	81,1	3	0,6	1,5	
7 112 59 00 95 0	67	3	78	3	81	3	0,3	1,5	
7 113 10 61 00 0	71	3	82	3	88	3	0,7	1,5	
7 113 11 62 00 0	73	3	84	3	92	3	1	1,5	
7 113 11 63 00 0	73	3	84	3	92	3	1	1,5	
7 113 14 61 00 0	71	3	82	3	86	3	1,5	1,5	
7 113 14 62 00 0	71	3	82	3	86	3	1,5	1,5	
7 113 16 61 00 0	74	3	85	3	87	3	1,5	1,5	
7 113 16 62 00 0	74	3	85	3	87	3	1,5	1,5	
7 113 18 61 00 0	80	3	91	3	91	3	0,5	1,5	1,5
7 113 18 62 00 0	80	3	91	3	91	3	0,5	1,5	1,5
7 113 19 61 00 0	76	3	87	3	90	3	0,6	1,5	1,8
7 113 19 62 00 0	76	3	87	3	90	3	0,6	1,5	1,8
7 113 19 63 00 0	76	3	87	3	90	3	0,6	1,5	1,8
7 113 20 61 00 0	65,5	3	76,6	3	78,4	3	1	1,5	
7 113 21 61 00 0	65,9	3	76,9	3	78,9	3			
7 115 01 61 00 0	86	3	97	3	109	3	6	1,5	
7 115 01 62 00 0	86	3	97	3	109	3	6	1,5	
7 115 01 63 00 0	86	3	97	3	109	3	6	1,5	
7 115 02 61 00 0	86	3	97	3	109	3	6	1,5	
7 115 02 62 00 0	86	3	97	3	109	3	6	1,5	
7 115 02 63 00 0	86	3	97	3	109	3	6	1,5	
7 115 03 61 00 0	93,8	3	104,8	3	112	3	14,5	1,5	
7 116 01 61 00 0	74	3	85	3	87	3	1,5	1,5	
7 116 02 61 00 0	74	3	85	3	87	3	1,5	1,5	
7 116 03 61 00 0	73	3	84	3	86	3	1,5	1,5	
7 116 03 62 00 0	73	3	84	3	86	3	1,5	1,5	
7 116 04 61 00 0	73	3	84	3	86	3	1,5	1,5	
7 116 04 62 00 0	73	3	84	3	86	3	1,5	1,5	
7 116 05 61 00 0	74	3	85	3	87	3	1,5	1,5	
7 116 06 61 00 0	74	3	85	3	87	3	1,5	1,5	
7 116 07 61 00 0	73	3	84	3	86	3	1,5	1,5	
7 116 08 61 00 0	73	3	84	3	86	3	1,5	1,5	
7 116 10 61 00 0	75,5	3	86,5	3	90,6	3	1	1,5	
7 129 18 61 00 0	83	3	94	3	97	3			
7 129 18 62 00 0	83	3	94	3	97	3			
7 129 18 63 00 0	83	3	94	3	97	3			
7 129 22 61 00 0	74	3	85	3	87	3			
7 129 25 61 00 0	70	3	81	3	83	3			
7 129 26 61 00 0	70	3	81	3	83	3			
7 129 27 60 00 0	83	3	94	3	97	3			
7 129 27 61 00 0	83	3	94	3	97	3			
7 129 27 62 00 0	83	3	94	3	97	3			
7 129 27 64 00 0	83	3	94	3	97	3			
7 129 27 66 00 0	83	3	94	3	97	3			

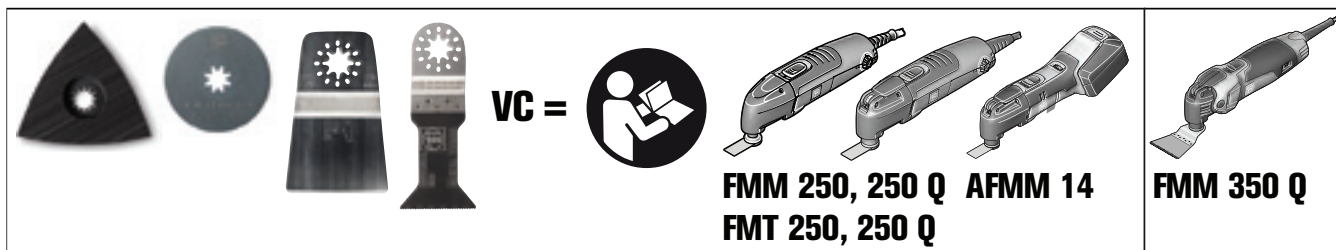


Part number	Sound pressure level L_{pA} (dB)	Uncertainty of measured value K_{pA} (dB)	Sound power level L_{WA} (dB)	Uncertainty of measured value K_{WA} (dB)	Sound peak value L_{pCpeak} (dB)	Uncertainty of measured value K_{pCpeak} (dB)	Vibration value 1 a_{hv} 3-way (m/s ²)	Uncertainty of measured value K_a (m/s ²)	Vibration value 2 a_{hv} 3-way (m/s ²)
7 129 27 67 00 0	83	3	94	3	97	3			
7 129 27 68 00 0	83	3	94	3	97	3			
7 130 01 61 00 0	74,8	3	85,8	3	87,9	3	10,1	1,5	
7 130 02 61 00 0	74,6	3	85,6	3	87,9	3	3,3	1,5	
7 132 01 61 00 0	74	3	85	3	86	3	6,5	1,5	
7 132 02 61 00 0	74	3	85	3	86	3	4,7	1,5	
7 132 03 61 00 0	74	3	85	3	86	3	4,7	1,5	
7 144 01 61 00 0	67	3	78	3	83	3		1,5	
7 144 01 62 00 0	67	3	78	3	83	3		1,5	
7 202 06 00 22 9	88	3	99	3	103	3		1,5	
7 202 09 00 22 7	86	3	97	3	102	3		1,5	
7 205 01 00 22 8	81	3	92	3	99	3		1,5	
7 205 03 00 22 0	81	3	92	3	98	3		1,5	
7 205 47 60 00 0	81,1	3	92,1	3	95,2	3		1,5	
7 205 49 60 00 0	82,1	3	93,1	3	95,6	3		1,5	
7 205 51 60 00 0	82	3	93	3	96	3	3	1,5	
7 205 52 60 00 0	82	3	93	3	96	3	4,0	1,5	
7 205 52 61 00 0	82	3	93	3	96	3	4,0	1,5	
7 205 53 60 00 0	82	3	93	3	96	3	3,0	1,5	
7 205 53 61 00 0	82	3	93	3	96	3	3,0	1,5	
7 205 54 60 00 0	82	3	93	3	96	3	3,0	1,5	
7 205 54 61 00 0	82	3	93	3	96	3	3,0	1,5	
7 205 55 60 00 0	82	3	93	3	96	3	3,0	1,5	
7 205 55 61 00 0	82	3	93	3	96	3	3,0	1,5	
7 209 38 60 00 0	82	3	93	3	96	3	3,0	1,5	
7 213 04 00 23 9	82	3	93	3	96	3	1	1,5	
7 213 06 50 01 8	81	3	92	3	98	3	0,8	1,5	
7 213 13 00 23 0	81	3	92	3	98	3	0,8	1,5	
7 220 78 00 22 5	87	3	98	3	105	3	12	1,5	
7 221 05 00 23 7	87	3	98	3	103	3		1,5	
7 221 06 00 23 0	87	3	98	3	103	3		1,5	
7 221 07 00 23 6	87	3	98	3	103	3		1,5	
7 221 08 00 23 2	87	3	98	3	103	3		1,5	
7 221 10 00 23 3	87	3	98	3	103	3		1,5	
7 221 11 00 23 2	87	3	98	3	103	3		1,5	
7 221 13 50 01 4	86	3	97	3	102	3	2,4	1,5	
7 221 13 51 01 3	86	3	97	3	102	3	2,4	1,5	
7 221 26 00 23 0	87	3	98	3	103	3		1,5	
7 221 27 00 23 0	87	3	98	3	103	3		1,5	
7 221 31 00 23 0	87	3	98	3	0	3		1,5	
7 221 48 00 23 0	84	3	95	3	100	3		1,5	
7 221 48 50 01 0	84	3	95	3	100	3		1,5	
7 221 48 51 01 0	84	3	95	3	100	3		1,5	
7 221 48 60 00 0	84	3	95	3	100	3		1,5	
7 221 49 00 23 0	84	3	95	3	100	3		1,5	
7 221 49 50 01 0	84	3	95	3	100	3		1,5	
7 221 49 51 01 0	84	3	95	3	100	3		1,5	
7 221 63 00 23 0	84	3	95	3	100	3		1,5	
7 221 63 51 01 0	84	3	95	3	100	3		1,5	
7 221 66 60 00 0	84	3	95	3	98	3	4,5	1,5	
7 221 67 60 00 0	85	3	96	3	101	3		1,5	
7 221 73 60 00 0	90	3	101	3	105	3		1,5	
7 221 74 60 00 0	90	3	101	3	105	3		1,5	
7 221 75 60 00 0	89	3	100	3	104	3		1,5	
7 221 76 60 00 0	89	3	100	3	104	3		1,5	
7 221 77 60 00 0	90	3	101	3	105	3		1,5	
7 221 78 60 00 0	90	3	101	3	105	3		1,5	
7 221 79 60 00 0	90	3	101	3	105	3		1,5	
7 221 87 60 00 0	90	3	101	3	105	3	7,9	1,5	1,5
7 221 90 60 00 0	90	3	101	3	105	3	5,9	1,5	2,1
7 221 91 60 00 0	90	3	101	3	105	3	5,9	1,5	2,1
7 222 07 60 00 0	90	3	101	3	105	3	5,0	1,5	3,5
7 222 08 60 00 0	90	3	101	3	105	3	5,0	1,5	3,5
7 222 09 60 00 0	90	3	101	3	105	3	5,0	1,5	3,5
7 222 10 60 00 0	90	3	101	3	105	3	5,0	1,5	3,5
7 222 11 60 00 0	90	3	101	3	105	3	5,0	1,5	3,5
7 222 12 60 00 0	90	3	101	3	105	3	5,0	1,5	3,5
7 222 13 60 00 0	90	3	101	3	105	3	4,1	1,5	2,2
7 222 13 61 00 0	90	3	101	3	105	3	4,1	1,5	2,2

Part number	Sound pressure level L_{pA} (dB)	Uncertainty of measured value K_{pA} (dB)	Sound power level L_{WA} (dB)	Uncertainty of measured value K_{WA} (dB)	Sound peak value L_{pCpeak} (dB)	Uncertainty of measured value K_{pCpeak} (dB)	Vibration value 1 a_{hv} 3-way (m/s ²)	Uncertainty of measured value K_a (m/s ²)	Vibration value 2 a_{hv} 3-way (m/s ²)
7 222 18 60 00 0	90	3	101	3	105	3	5,9	1,5	2,1
7 222 19 60 00 0	90	3	101	3	105	3	5,9	1,5	2,1
7 222 20 60 00 0	90	3	101	3	105	3	5,0	1,5	1,6
7 222 21 60 00 0	90	3	101	3	105	3	5,0	1,5	1,6
7 222 22 60 00 0	90	3	101	3	105	3	3,4	1,5	1,6
7 222 23 60 00 0	90	3	101	3	105	3	3,4	1,5	1,6
7 223 16 60 00 0	84	3	95	3	97	3	4,7	1,5	
7 223 17 60 00 0	84	3	95	3	97	3	4,7	1,5	7,9
7 223 18 60 00 0	84	3	95	3	97	3	5,3	1,5	
7 223 19 60 00 0	84	3	95	3	97	3	5,3	1,5	11,4
7 223 20 60 00 0	84	3	95	3	97	3	1,9	1,5	2,9
7 223 21 60 00 0	85	3	96	3	98	3	9,7	1,5	
7 223 22 60 00 0	85	3	96	3	98	3	9,7	1,5	
7 223 23 60 00 0	85	3	96	3	98	3	1,5	1,5	4,5
7 223 24 60 00 0	83	3	94	3	95	3	4,8	1,5	
7 223 25 60 00 0	83	3	94	3	95	3	1,0	1,5	
7 228 05 50 00 0	84	3	95	3	99	3	2	1,5	
7 228 05 51 00 0	84	3	95	3	99	3	2		
7 229 48 61 00 0	82	3	93	3	96	3			
7 229 48 62 00 0	82	3	93	3	96	3			
7 229 49 61 00 0	82	3	93	3	96	3			
7 229 52 61 00 0	72	3	83	3	84	3			
7 229 52 62 00 0	72	3	83	3	84	3			
7 229 52 63 00 0	72	3	83	3	84	3			
7 229 52 66 00 0	72	3	83	3	84	3			
7 229 53 61 00 0	74	3	85	3	96	3			
7 229 54 61 00 0	74	3	85	3	96	3			
7 230 23 00 23 8	86	3	97	3	103	3	12,1	1,5	
7 230 24 00 23 4	87	3	98	3	103,1	3	22,6	1,5	
7 230 31 61 00 0	81,1	3	92,1	3	93,3	3	5,7	1,5	
7 230 32 61 00 0	81,1	3	92,1	3	93,3	3	5,7	1,5	
7 230 33 61 00 0	76,2	3	87,2	3	91	3	10,8	1,5	
7 230 34 61 00 0	82,5	3	93,5	3	94,9	3	4,1	1,5	
7 230 35 61 00 0	81,7	3	92,7	3	93,8	3	4,8	1,5	
7 232 30 00 23 0	85	3	96	3	100	3	8,9	1,5	
7 232 31 00 23 9	85	3	96	3	100	3	10	1,5	
7 232 38 60 00 0	82	3	93	3	93	3	8,8	1,5	
7 232 39 60 00 0	82	3	93	3	93	3	8,8	1,5	
7 232 40 60 00 0	80	3	91	3	91	3	7,3	1,5	
7 232 41 60 00 0	82	3	93	3	93	3	9,5	1,5	
7 232 42 60 00 0	82	3	93	3	93	3	6,8	1,5	
7 234 15 00 23 0	79	3	90	3	94	3	7,8	1,5	
7 234 17 00 23 9	79	3	90	3	94	3	7,8	1,5	
7 234 22 00 23 0	89	3	100	3	102	3	7	1,5	
7 234 23 00 23 0	89	3	100	3	102	3	7	1,5	
7 236 36 50 01 0	79	3	90	3	93	3			
7 270 27 00 23 5	84	3	95	3	0	3	0,5	1,5	
7 270 32 00 23 0	84	3	95	3	101	3		1,5	
7 270 34 00 23 0	84	3	95	3	101	3		1,5	
7 270 40 61 00 0	82,4	3	93,4	3	97	3	< 2,5	1,5	
7 270 41 61 00 0	82,4	3	93,4	3	97	3	< 2,5	1,5	
7 270 42 61 00 0	82,4	3	93,4	3	97	3	< 2,5	1,5	
7 270 43 61 00 0	82,4	3	93,4	3	97	3	< 2,5	1,5	
7 271 01 61 00 0	81	3	92	3	96	3		1,5	
7 272 01 61 00 0	83	3	94	3	98	3		1,5	
7 272 02 61 00 0	87	3	98	3	103	3		1,5	
7 272 03 61 00 0	87	3	98	3	99	3		1,5	
7 272 04 61 00 0	92	3	103	3	106	3		1,5	
7 534 08 00 00 0	81	3	92	3	102	3		1,5	
7 536 03 00 01 0	82	3	93	3		3			
7 820 62 00 26 0	83	3	94	3	100	3	3,9	1,5	
7 820 65 00 26 0	84	3	95	3	100	3	3,9	1,5	
7 820 71 00 26 0	81	3	92	3	95	3	4,3	1,5	
7 820 73 00 26 0	81	3	92	3	95	3	4,6	1,5	
7 820 75 00 26 0	85	3	96	3	100	3	3,8	1,5	
7 820 77 00 26 0	85	3	96	3	100	3	4,7	1,5	
7 820 80 00 26 0	81	3	92	3	100	3	4,3	1,5	
7 820 83 00 26 0	83	3	94	3	97	3	3,6	1,5	
7 820 85 00 26 0	81	3	92	3	95	3	4,5	1,5	

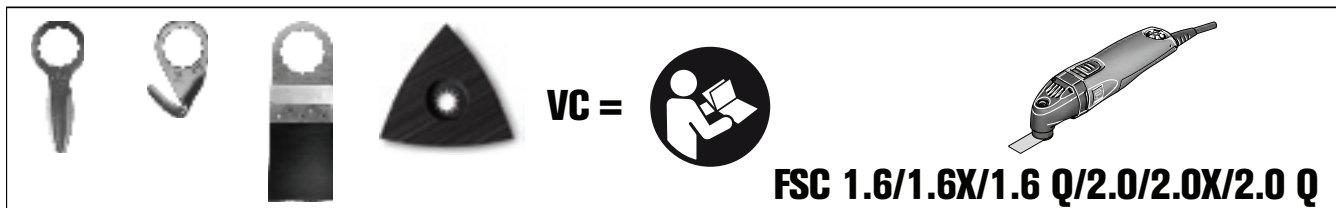


Part number	Sound pressure level L_{pA} (dB)	Uncertainty of measured value K_{pA} (dB)	Sound power level L_{WA} (dB)	Uncertainty of measured value K_{WA} (dB)	Sound peak value L_{pCpeak} (dB)	Uncertainty of measured value K_{pCpeak} (dB)	Vibration value 1 a_{hv} , 3-way (m/s ²)	Uncertainty of measured value K_a (m/s ²)	Vibration value 2 a_{hv} , 3-way (m/s ²)
7 820 86 60 00 0	74	3	85	3	90	3		1,5	
7 823 03 00 26 0	71	3	82	3	85	3	3,7	1,5	
7 823 19 00 26 0	79	3	90	3	92	3	5	1,5	
7 823 20 00 26 0	77	3	88	3	92	3	5,5	1,5	
7 824 37 00 26 0	83	3	94	3	101	3	2	1,5	
7 824 39 00 26 0	84	3	95	3	103	3	Ø 125 mm = 7,5 Ø 100 mm = 3,3	1,5	
7 824 40 00 26 0	84	3	95	3	97	3	Ø 125 mm = 2,0	1,5	
7 824 42 00 26 0	84	3	95	3	97	3	Ø 80 mm = 11,8 Ø 50 mm = 6,3	1,5	
7 903 21 00 23 2	100	2,5	108	3	114	2,5	< 2,5		
7 903 22 00 23 2	100	2,5	108	3	114	2,5	< 2,5		
9 20 27 060 00 0	68	3	81	3		3	< 2,5	1,5	
9 20 27 223 00 0	68	3	81	3		3	< 2,5	1,5	
9 20 28 060 00 0	68	3	81	3		3	< 2,5	1,5	
9 20 28 223 00 0	68	3	81	3		3	< 2,5	1,5	
9 20 30 060 00 0	67	2	81	2			< 2,5		
9 20 31 060 00 0	67	2	81	2			< 2,5		
9 20 32 060 00 0	67	2	81	2			< 2,5		



	VC	VC
6 35 02 096 ...	2	0
6 35 02 097 ...	2	0
6 35 02 105 ...	2	0
6 35 02 106 ...	2	0
6 35 02 113 ...	2	0
6 35 02 114 ...	1	0
6 35 02 118 ...	2	0
6 35 02 125 ...	2	0
6 35 02 126 ...	4	1
6 35 02 127 ...	4	1
6 35 02 133 ...	4	1
6 35 02 134 ...	4	1
6 35 02 144 ...	3	0
6 35 02 151 ...	4	1
6 35 02 152 ...	4	1
6 35 02 154 ...	3	0
6 35 02 157 ...	3	0
6 35 02 159 ...	2	0
6 35 02 160 ...	4	1
6 35 02 161 ...	4	1
6 35 02 166 ...	2	0
6 35 02 169 ...	3	0
6 35 02 170 ...	3	0
6 35 02 171 ...	3	0
6 35 02 183 ...	4	1
6 35 02 184 ...	3	0
6 37 06 017 ...	3	0
6 37 19 011 ...	4	1
6 37 31 001 ...	2	0
6 37 31 002 ...	1	0
6 38 06 129 ...	1	0
6 38 06 136 ...	1	0
6 38 06 140 ...	1	0
6 38 06 141 ...	1	0
6 38 06 142 ...	1	0
6 38 06 153 ...	1	0
6 38 06 159 ...	1	0
6 38 06 183 ...	5	1
6 38 06 195 ...	3	1
6 39 01 025 ...	1	0
6 39 03 165 ...	3	0
6 39 03 178 ...	3	0
6 39 03 192 ...	3	0
6 39 03 193 ...	3	0
6 39 03 200 ...	2	0
6 39 03 201 ...	2	0
6 39 03 202 ...	2	0
6 39 03 226 ...	4	1

VC 0 < 2,5 m/s² VC 1 < 5,0 m/s² VC 2 < 7,0 m/s² VC 3 < 10 m/s² VC 4 < 15 m/s² VC 5 > 15 m/s²



	VC		VC		VC
6 35 02 102 ...	2	6 39 03 083 ...	2	6 39 03 161 ...	3
6 35 02 103 ...	2	6 39 03 087 ...	2	6 39 03 162 ...	3
6 35 02 115 ...	2	6 39 03 095 ...	2	6 39 03 163 ...	2
6 35 02 116 ...	2	6 39 03 097 ...	3	6 39 03 164 ...	2
6 35 02 119 ...	3	6 39 03 099 ...	4	6 39 03 166 ...	3
6 35 02 120 ...	4	6 39 03 101 ...	3	6 39 03 168 ...	4
6 35 02 121 ...	4	6 39 03 103 ...	2	6 39 03 169 ...	4
6 35 02 122 ...	4	6 39 03 104 ...	2	6 39 03 170 ...	4
6 35 02 123 ...	4	6 39 03 105 ...	3	6 39 03 171 ...	4
6 35 02 124 ...	4	6 39 03 107 ...	3	6 39 03 172 ...	2
6 35 02 135 ...	3	6 39 03 108 ...	2	6 39 03 173 ...	2
6 35 02 136 ...	4	6 39 03 109 ...	2	6 39 03 174 ...	3
6 35 02 137 ...	2	6 39 03 110 ...	2	6 39 03 176 ...	3
6 35 02 138 ...	3	6 39 03 111 ...	4	6 39 03 179 ...	4
6 35 02 145 ...	2	6 39 03 113 ...	3	6 39 03 181 ...	3
6 35 02 147 ...	3	6 39 03 114 ...	3	6 39 03 182 ...	5
6 35 02 148 ...	3	6 39 03 115 ...	2	6 39 03 183 ...	2
6 35 02 158 ...	2	6 39 03 116 ...	4	6 39 03 184 ...	2
6 35 02 162 ...	4	6 39 03 117 ...	4	6 39 03 185 ...	2
6 35 02 163 ...	4	6 39 03 118 ...	2	6 39 03 186 ...	2
6 35 02 164 ...	3	6 39 03 120 ...	2	6 39 03 189 ...	3
6 35 02 165 ...	4	6 39 03 121 ...	2	6 39 03 190 ...	4
6 35 02 167 ...	1	6 39 03 122 ...	2	6 39 03 191 ...	3
6 35 02 168 ...	1	6 39 03 123 ...	4	6 39 03 194 ...	4
6 35 02 172 ...	1	6 39 03 124 ...	2	6 39 03 195 ...	4
6 35 02 173 ...	1	6 39 03 125 ...	4	6 39 03 196 ...	3
6 35 02 185 ...	3	6 39 03 127 ...	2	6 39 03 198 ...	4
6 35 02 186 ...	2	6 39 03 128 ...	3	6 39 03 206 ...	3
6 37 06 018 ...	3	6 39 03 129 ...	3	6 39 03 207 ...	3
6 37 31 001 ...	1	6 39 03 131 ...	3	6 39 03 208 ...	3
6 37 31 002 ...	1	6 39 03 132 ...	3	6 39 03 209 ...	3
6 37 31 005 ...	1	6 39 03 133 ...	3	6 39 03 210 ...	3
6 38 06 129 ...	1	6 39 03 143 ...	4	6 39 03 211 ...	3
6 38 06 136 ...	1	6 39 03 144 ...	3	6 39 03 212 ...	2
6 38 06 140 ...	1	6 39 03 146 ...	3	6 39 03 217 ...	3
6 38 06 153 ...	1	6 39 03 147 ...	2	6 39 03 221 ...	5
6 38 06 195 ...	3	6 39 03 152 ...	3	6 39 03 222 ...	5
6 39 03 072 ...	2	6 39 03 153 ...	3	6 39 03 223 ...	5
6 39 03 073 ...	2	6 39 03 154 ...	3	6 39 03 227 ...	3
6 39 03 076 ...	2	6 39 03 155 ...	3	6 39 03 228 ...	5
6 39 03 079 ...	2	6 39 03 156 ...	3	6 39 03 229 ...	4
6 39 03 081 ...	4	6 39 03 157 ...	3	6 39 03 230 ...	5
6 39 03 082 ...	3	6 39 03 160 ...	4	6 39 03 231 ...	4





**FEIN. Unverwüstliche
Elektrowerkzeuge.**



FEIN is the leading specialist when you are looking for professional and exceptionally reliable power tools and specific solutions for applications involving metal, construction and automotive. As the inventor of the power hand drill, FEIN has now spent over 140 years developing innovative and unbeatably effective solutions for practical tasks, with tools which can really stand the pace of tough continuous operation in industrial and trade contexts.

- DE:** C. & E. Fein GmbH
Telefon 07173 183-0
www.fein.com
- AE:** FEIN Middle East FZE
Tel. 04 8861168
www.fein.ae
- Asia:** FEIN Power Tools Asia Limited, A1
Phone 2341-1026
www.fein.asia
- AU:** Tooltechnic Systems (AUST) Pty LTD
Phone 03 87959291
www.fein.com.au
- EE/LT/LV:** Ota-Tuote Oy
Phone 00358 9 5499 2400
www.otatuote.com
- IN:** FEIN Power Tools India Pvt. Ltd.
Phone 044-43 578 680
www.fein.in
- SA:** Mimar for Construction Tools & Trading Ltd.
Phone 02 6686888
www.fein.ae
- UK:** FEIN Industrial Power Tools UK Ltd.
Phone 01327 308730
www.fein-uk.co.uk