

► METAL



Professional belt grinding in manual trades and industry.

GRIT GX/GI



GRIT belt grinders – one system, a wealth of possibilities.

GRIT by FEIN is synonymous with competence and durability in belt grinding. One modular system is capable of satisfying all requirements, even the most stringent ones. GRIT belt grinders are characterised by their long service lives and can be operated for hours on end, regardless of whether it's in continuous use or shift operation. Thanks to their powerful three-phase motors, they can even cope with extreme grinding conditions. Their robust design means that they can withstand high loads, which are common in professional use.



Reliable in manual trades and industry.

GRIT belt grinders are designed for all applications. The GRIT GX range is suited to manual trades, and the GRIT GI range to industry. Both ranges feature the unique modular system made up of powerful basic belt grinders and application-specific add-on modules. This is complemented by an extensive range of special accessories. GRIT belt grinders therefore cover all conceivable areas of application.

GRIT GX for the workshop

from page 4



By combining the basic belt grinder GRIT GX 75 2H with the right add-on modules, you can turn it into a radius or rotary grinder. Also included in the range: a deburring machine.

GRIT GI for industry

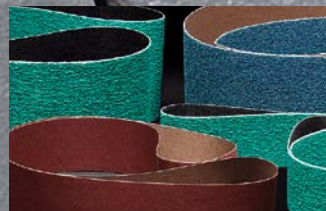
from page 16



Also featuring a modular design, the range for industry is adapted to the particular requirements of volume production and tough special applications.

GRIT accessories

from page 34



Everything you need: from a variety of grinding belts and contact rollers to eye guards.

GRIT GX – for use in the workshop.

Designed for use in manual trades or small-scale volume production, the GRIT GX range offers outstanding efficiency. Regardless of whether you're coarse grinding or finishing, GRIT GX machines allow you to work at speed and deliver high-quality results. The machines can be easily retooled for different applications; they are also safe to use and built to last.

The benefits for you:

- ▶ Short retooling times.
- ▶ Can be used in a variety of ways for coarse or fine grinding applications.
- ▶ Highly cost-effective thanks to fast and accurate working.
- ▶ Robust housing that can withstand even the toughest applications.

Belt grinder GRIT GX 75/GX 75 2H



Powerful belt grinder in one-speed or two-speed version – the basis of the modular GX range. It can also be used on its own as a fully-functional belt grinder.

Radius grinding module GRIT GXR



Extension module for grinding out radii on a wide range of workpieces, such as pipes, square pipes, flat materials and profiles.

Rotary grinding module GRIT GXC



Extension module for grinding and polishing round materials – from coarse grinding to surface finish.

Deburring machine GRIT GXE



Independent addition to the GRIT GX range for deburring steel and stainless steel workpieces with wire brushes. Also available with machine base as an option.

The system that grows with your requirements: the GRIT GX range of machines.

Belt grinder GRIT GX 75/GX 75 2H

page 6/7

Belt grinder (base unit)



GX 75 7 901 31
GX 75 2H 7 901 32

Radius grinder GRIT GX 75/GX 75 2H + GRIT GXR

page 8/9

Radius grinder



Belt grinder (base unit)



GX 75 7 901 31
GX 75 2H 7 901 32



Radius grinding module



GXR 9 90 01 001

Rotary grinder GRIT GX 75/GX 75 2H + GRIT GXC + GRIT GXW

page 8/9

Centreless rotary grinder



Belt grinder (base unit)



GX 75 7 901 31
GX 75 2H 7 901 32



Rotary grinding module



GXC 7 901 23



Cooling lubricant module



GXW 7 901 24

Deburring machine GRIT GXE + GRIT GIXS/GIXBE

page 12/13

Deburring machine



Deburring machine (base unit)



GXE 7 901 05



Machine base



GIXS 9 90 01 002
GIXBE 9 90 01 009

The perfect starting point: the belt grinder GRIT GX 75/GX 75 2H.

The GRIT GX 75 and GRIT GX 75 2H form the basis of the GRIT GX system. They're powerful belt grinders that you can rely on even in professional use, as they feature a robust design, are easy to assemble and are equipped with everything to make working and operation easier. Using the corresponding add-on modules, you can convert your basic machine into a radius or rotary grinder.

The benefits for you:

- ▶ Effective material removal in a short space of time.
- ▶ Accurate working thanks to patented belt tensioning system.
- ▶ Highly cost-effective as special machines are not required.
- ▶ Can be used on its own without add-on modules.



Powerful

High motor power with constant speed.

Variable

Ideal for machining stainless steel: GRIT GX 75 2H with switchable speeds (1,500/3,000 rpm).

Safe

High level of working safety thanks to base screw connections and protective equipment.

Ergonomic

Tried-and-tested design in accordance with ergonomic criteria for simple handling.

Comfortable

With adjustable working height for a natural posture.

Practical

Swarf container can be removed without tools.

Technical data

Model		GRIT GX 75	GRIT GX 75 2H
		Belt grinder, can be expanded through the use of modules, for metalworking manual trades and for small-scale volume production	Universal belt grinder, can be expanded through the use of modules, for metalworking manual trades, ideal for machining stainless steel in small-scale volume production
Power consumption	kW	3	1.5/2
Idling speed	rpm	3,000	1,500/3,000
Belt dimensions	mm	75 x 2,000	75 x 2,000
Weight	kg	75	75
Order number		7 901 31	7 901 32

Also included: 1 16A CEE reversing pole plug; 1 75 x 2,000 mm grinding belt, grit 36 R

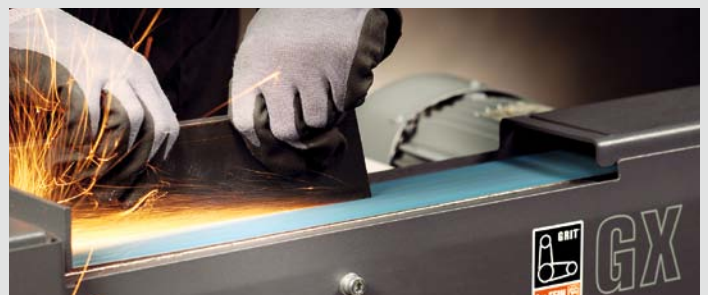


Versatile in use



Thanks to the powerful motor, the belt grinders GRIT GX 75 are extremely powerful and therefore guarantee effective material removal in an extremely short time. The GRIT GX 75 and GRIT GX 75 2H operate with very little vibration and make accurate working easier thanks to their patented belt tensioning system.

Ideal for surfaces



Grinding surfaces is one of the standard GRIT applications. Both GRIT GX 75 machines feature a large grinding area of 75 x 420 mm, a height-adjustable surface grinding table and easy belt adjustment as standard.

Accurate working: the radius grinding module GRIT GXR.

Grinding exact radii on pipes is all a question of choosing the right machine. In just a few simple steps, adding the GRIT GXR module will transform your GX 75 2H belt grinder (base unit) into a professional radius grinder – equipped with depth stop, cross slide and quick clamping system as standard. This makes accurate grinding not only straightforward but much more comfortable too.

The benefits for you:

- ▶ Accurate grinding of profiles and pipes between 16 and 75 mm in diameter.
- ▶ Accurate and comfortable working.
- ▶ Fewer burrs and less tarnishing when machining stainless steel (with GRIT GX 75 2H/low speed).
- ▶ High level of flexibility as you can use an adapter to combine the machine with the GRIT GI range.

Time-saving

The workpiece can be clamped without tools.

Durable

Vice with stainless steel clamping jaws.

Precise

With integrated depth stop.

Comfortable

Vice with quick clamping system for round pipes, square pipes and solid material.

Safe

Dust container filled with water for safe removal of hot swarf and sparks.

Practical

Magazine for storing contact rollers.

Mobile

Simple handling thanks to four steerable transport rollers.



Technical data

Model		GRIT GXR
		Radius grinding module for accurate grinding of pipes and profiles for handrail construction
Diameter of pipes	mm	16 – 75
Max. dimensions of profiles/ flat material	mm	75 × 75
Belt dimensions	mm	75 × 2,250
Weight	kg	54
Order number		9 90 01 001

Also included: 1 contact roller with a diameter of 42.4 mm; 1 contact roller with a diameter of 48.3 mm; 1 dust container; 1 75 × 2,250 mm grinding belt, grit 36 R

Radius grinder GRIT GX 75/GX 75 2H + GRIT GXR

Radius grinder



Belt grinder (base unit)



GX 75
GX 75 2H

7 901 31
7 901 32



Radius grinding module



GXR

9 90 01 001

Accuracy guaranteed – no matter what your working angle



Regardless of whether you're grinding pipes, profiles or solid material, the radius grinding module GRIT GXR features the right equipment for the job as standard. It's fitted with a cross slide that can be adjusted accurately and at speed to the angle required, a vice with stainless steel clamping jaws and a unique quick clamping system, which guarantees accurate and safe grinding.

Grind pipes accurately



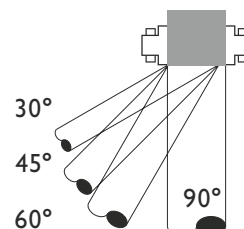
The extensive range of GRIT contact rollers reliably covers all common pipe diameters, allowing the radius grinding module to accurately grind pipes with diameters of between 16 and 75 mm and an angle of between 30° and 90°.

Accurate results in volume production



The retrofitable length stop for the GRIT GXR radius grinding module guarantees consistently accurate results in volume production. It is easy to retrofit and can be adjusted over a length of 1,000 mm.

Variable adjustment



For angles of between 30° and 90°

- ▶ 30° / max. Ø 37.5 mm
- ▶ 45° / max. Ø 53.0 mm
- ▶ 60° / max. Ø 64.5 mm
- ▶ 90° / max. Ø 75.0 mm

Delivering surfaces that are perfect from all angles: the rotary grinding module GRIT GXC.

The rotary grinding module GRIT GXC also offers excellent efficiency and flexibility when it comes to grinding the outside of pipes. It allows you to achieve perfect surfaces with minimal effort. The rotary grinding module GRIT GXC can be converted to a centreless rotary grinder in just a few simple steps.

The benefits for you:

- ▶ Cost-effective grinding of pipes and shafts with diameters of between 10 and 100 mm.
- ▶ High working speed with superior surface quality.
- ▶ High level of flexibility as you can use an adapter to combine the machine with the GRIT GI range.
- ▶ Optimum machining thanks to wet grinding in conjunction with cooling lubricant module GRIT GXW.

Reliable

Guide rail can be changed for different materials.

Precise

Continuously variable feed.

Variable

Continuously variable contact pressure.

Can be upgraded

Electrical connection for upgrading with cooling lubricant module GRIT GXW.

Mobile

Simple handling thanks to four steerable transport rollers.



Technical data

Model		GRIT GXC
		Rotary grinding module for perfect surfaces on metal and stainless steel pipes in metalworking manual trades
Feed motor power	W	180
Diameter of pipes	mm	10–100
Belt dimensions	mm	75 x 2,000
Weight	kg	48
Order number		7 901 23

Also included: 1 nylon guide rail; 1 brass guide rail; 1 16 A CEE plug

Rotary grinder GRIT GX 75/GX 75 2H + GRIT GXC + GRIT GXW

Centreless rotary grinder



Belt grinder (base unit)



GX 75 7 901 31
GX 75 2H 7 901 32



Rotary grinding module



GXC 7 901 23



Cooling lubricant module



GXW 7 901 24

The quick way to achieve all-round brilliant results



Perfect surface quality and a high working speed when machining pipes and shafts are no problem for the rotary grinding module GRIT GXC. The feed speed can be continuously adjusted to the material to be machined, to max. 2 metres per minute.

The right rail for the job



The scope of supply includes a variety of guide rails adapted to the surface quality of the workpiece. The brass guide rail is designed for rough surfaces, such as corrosion, scale and so on or for dry grinding. The nylon rail, meanwhile, is the perfect choice for surface finishing and sensitive materials.

Greatly enhanced surface results



Wet grinding with the cooling lubricant module GRIT GXW delivers greatly enhanced surface results. Swarf is bound immediately, and the grinding belts have longer service lives thanks to cooling. The risk of corrosion on stainless steel pipes is cut too as a result of reduced heat development. A closed circuit ensures economical use of the cooling lubricant.

Ideal for wet grinding



Perfect results and working conditions are guaranteed with the cooling lubricant module GRIT GXW.

Technical data

Model		GRIT GXW
Power	W	120
Weight	kg	8.6
Order number		7 901 24

Also included: 1 litre of cooling lubricant emulsion (1:30)

The clean way to finish off: the deburring machine GRIT GXE.

An outstanding addition to the GRIT GX range, the deburring machine GRIT GXE finishes your work perfectly. It's extremely effective at deburring pipes, profiles and flat materials. The wide range of GRIT deburring brushes can tackle almost any deburring job. Whether they're used with or without extraction, both machine bases are optimally suited to the deburring machine GRIT GXE. They're also easy to install, have a robust design and are extremely stable. Machine bases can also be used for the GRIT GI range (GRIT GI 100 and GRIT GIE).

The benefits for you:

- ▶ Fast and effective deburring of pipes and profiles.
- ▶ Can also be used as a polisher (with polishing discs).
- ▶ Versatile in use thanks to wide range of wire brushes available.

Safe

High level of operating safety thanks to integrated safety switch with motor protection.

Time-saving

Gap between wire brush and support table can be adjusted without tools.

Safe

Machine can be secured to machine base or workbench.



Comfortable

Height-adjustable support fixture.

Clean

Extraction integrated in support stand GRIT GIXBE or with external extraction system.

Technical data

Model		GRIT GXE
		Effective deburring machine for metalworking manual trades and small-scale volume production
Power	kW	2.2
Speed	rpm	1,500
Max. tool dimensions	mm	250 × 60
Connecting cable	m	2
Weight	kg	32
Order number		7 901 05

Also included: Safety switch; undervoltage circuit breaker; 1 16 A CEE reversing pole plug

Deburring machine GRIT GXE + GRIT GIXS / GIXBE

Deburring machine



Deburring machine (base unit)



GXE

7 901 05



Machine base

GIXS
GIXBE9 90 01 002
9 90 01 009

Machine base GRIT GIXS without extraction



- ▶ Stable sheet metal machine base.
- ▶ High level of stability thanks to dowel fastening.

Machine base GRIT GIXBE with extraction



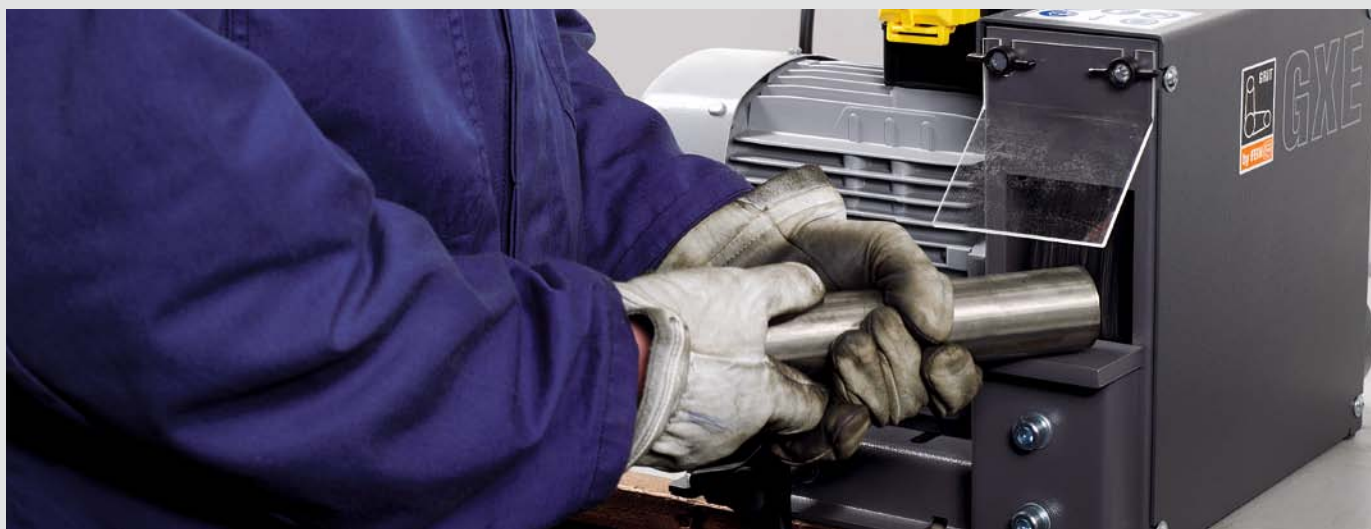
- ▶ Sheet metal machine base.
- ▶ Sturdy dowel fastening.
- ▶ Highly-effective extraction.
- ▶ Effective air cleaning.
- ▶ Spark-resistant container for metal swarf.
- ▶ Flexible, heat-resistant steel extraction hose.

Technical data

Model	GRIT GIXS	
Dimensions (L x W x H)	mm	304 x 356 x 769
Weight	kg	18
Order number	9 90 01 002	

Technical data

Model	GRIT GIXBE	
Power	W	370
Max. vacuum	mbar	2.65
Dimensions (L x W x H)	mm	305 x 575 x 700
Weight	kg	58
Order number	9 90 01 009	





GRIT GI – for industrial use.

The GRIT GI range is perfectly coordinated to all grinding applications, materials and formats in the metal industry. Thanks to the modular system, you can assemble the machine to suit your requirements – even for steps that have already been partly automated. The high quality, robustness and outstanding power of the machines guarantee maximum efficiency and mean that the machines pay for themselves quickly, as they offer complete reliability, even in continuous use.

The benefits for you:

- ▶ Simple and comfortable operating concept.
- ▶ Long run times, even in continuous industrial use.
- ▶ High level of efficiency and operating safety thanks to high motor power and robust design.

Belt grinder



High-performance belt grinders for heavy-duty-use. The basic machine for the modular GRIT GI range is available as a one-speed or two-speed version. It can also be used on its own as a fully-functional belt grinder.

Radius grinder



The perfect solution for accurate grinding of pipes, square pipes, flat materials and profiles in industry.

Rotary grinder



Cost-effective rotary grinding of pipes in automated processes – from coarse grinding to surface finishing. Used in combination with the cooling lubricant module GRIT GXW, it allows you to achieve perfect results at a low temperature.

Longitudinal grinder



The patented surface grinder GRIT GILS, the only one of its kind on the market, delivers perfect surface results quickly and cost-effectively thanks to the automatic feed.

The efficient and cost-effective system: the GRIT GI range of machines.

Belt grinder GRIT GI 75/GI 75 2H/GI 150/GI 150 2H + GRIT GIB/GIBE

page 18/19

Belt grinder



Belt grinder (base unit)



GI 75	7 902 01
GI 75 2H	7 902 02
GI 150	7 902 04
GI 150 2H	7 902 05



Machine base



GIB	9 90 01 003 00 0
GIBE	9 90 01 004 00 0

Radius grinder



Belt grinder (base unit)



GI 150	7 902 04
GI 150 2H	7 902 05



Machine base



GIB	9 90 01 003 00 0
GIBE	9 90 01 004 00 0



Radius grinding module



GIR	9 90 01 007 00 1
-----	------------------

Rotary grinder GRIT GI 75/GI 75 2H/GI 150/GI 150 2H + GRIT GIB + GRIT GIC + GRIT GXW

page 22/23

Centreless rotary grinder



Belt grinder (base unit)



GI 75	7 902 01
GI 75 2H	7 902 02
GI 150	7 902 04
GI 150 2H	7 902 05



Machine base



GIB	9 90 01 003 00 0
-----	------------------



Rotary grinding module



GIC	7 902 12
-----	----------



Cooling lubricant module



GXW	7 901 24
-----	----------

Longitudinal grinder GRIT GI 150/GI 150 2H + GRIT GIB/GIBE + GRIT GIL

page 24/25

Longitudinal grinder



Belt grinder (base unit)



GI 150	7 902 04
GI 150 2H	7 902 05



Machine base



GIB	9 90 01 003 00 0
GIBE	9 90 01 004 00 0



Longitudinal grinding module



GIL	7 902 28
-----	----------

Deburring machine GRIT GIE + GRIT GIXS/GIXBE

page 26/27

Deburring machine



Deburring machine (base unit)



GIE 7 902 07



Machine base



GIXS 9 90 01 002
GIXBE 9 90 01 009

Belt grinder GRIT GI 100/GI 100 EF + GRIT GIXS/GIXBE

page 28/29

Belt grinder



Belt grinder



GI 100 7 902 03
GI 100 EF 7 902 03



Machine base



GIXS 9 90 01 002
GIXBE 9 90 01 009

Belt grinder GRIT GIS 75/GIS 150

page 30/31

Belt grinder



GIS 75 7 902 29 50
GIS 150 7 902 30 50

Mobile grinder GRIT GIMS 75 / GIMS 150 / GIMS 75 2H / GIMS 150 2H

page 32/33

Mobile grinder



Surface grinder GRIT GILS

page 34/35

Surface grinder



GILS 7 902 31

Surface grinder (without extraction)



GILS 7 902 15

The principal element for any job: the belt grinders GRIT GI 75/GI 75 2H and GRIT GI 150/GI 150 2H.

The principal element for industrial belt grinding: the belt grinders GRIT GI 75 and GRIT GI 150. Every component is specially designed to cope with tough professional use while the exceedingly powerful motor keeps the speed constant and delivers high cutting power. Available with belt widths of 75 and 150 mm and as a one-speed or two-speed version.

The benefits for you:

- ▶ Reliable in use at all times, even under the toughest conditions.
- ▶ Easy to convert to a radius, rotary or surface grinder.
- ▶ Optional extraction system connection for clean working.
- ▶ Motors designed for continuous industrial use.

Flexible

Can be adjusted for continuous linear grinding.

Variable

Available with 2 speeds and a variety of belt widths (75 mm or 150 mm).

Powerful

Constant speed at high cutting power, even in continuous use.

Safe

Stop, grinding gap and individually adjustable eye guard.

Ergonomic

Adjustable working height, height-adjustable support.

Comfortable

Low-vibration, patented belt tensioning system.



Technical data

Model		GRIT GI 75	GRIT GI 75 2H	GRIT GI 150	GRIT GI 150 2H
		High-performance belt grinder, can be expanded through the use of modules, for stringent requirements in volume production	Universal high-torque belt grinder, can be expanded through the use of modules, for industrial and volume production applications, ideal for machining stainless steel	High-performance belt grinder, can be expanded through the use of modules, for stringent requirements in volume production of extra-wide workpieces	Universal high-torque belt grinder, can be expanded through the use of modules, for industrial and volume production applications, ideal for machining stainless steel for extra-wide workpieces
Power	kW	4.0	2.6–3.1	4.0	2.6–3.1
Idling speed	rpm	3,000	1,500/3,000	3,000	1,500/3,000
Belt dimensions	mm	75 x 2,000	75 x 2,000	150 x 2,000	150 x 2,000
Weight	kg	65	65	82	82
Order number		7 902 01	7 902 02	7 902 04	7 902 05
Also included:		16A CEE plug; 1 75 x 2,000 mm grinding belt, grit 36 R		16A CEE plug; 150 x 2,000 mm grinding belt, grit 36 R	

Belt grinder GRIT GI 75/GI 75 2H/GI 150/GI 150 2H + GRIT GIB/GIBE

Belt grinder



Belt grinder (base unit)



GI 75	7 902 01
GI 75 2H	7 902 02
GI 150	7 902 04
GI 150 2H	7 902 05

Machine base



GIB	9 90 01 003 00 0
GIBE	9 90 01 004 00 0

Machine base without extraction GRIT GIB



- ▶ Working height can be adjusted conveniently and with ease using the gas compression spring.
- ▶ High level of stability thanks to robust design.

Machine base with extraction GRIT GIBE



- ▶ Working height can be adjusted with ease using the gas compression spring.
- ▶ High level of stability thanks to robust design.
- ▶ Cartridge filter for effective air cleaning.
- ▶ Flexible, heat-resistant steel extraction hoses.

Technical data

Model	GRIT GIB	
Weight	kg	17
Order number	9 90 01 003 00 0	

Technical data

Model	GRIT GIBE	
Power	W	350
Weight	kg	55
Order number	9 90 01 004 00 0	

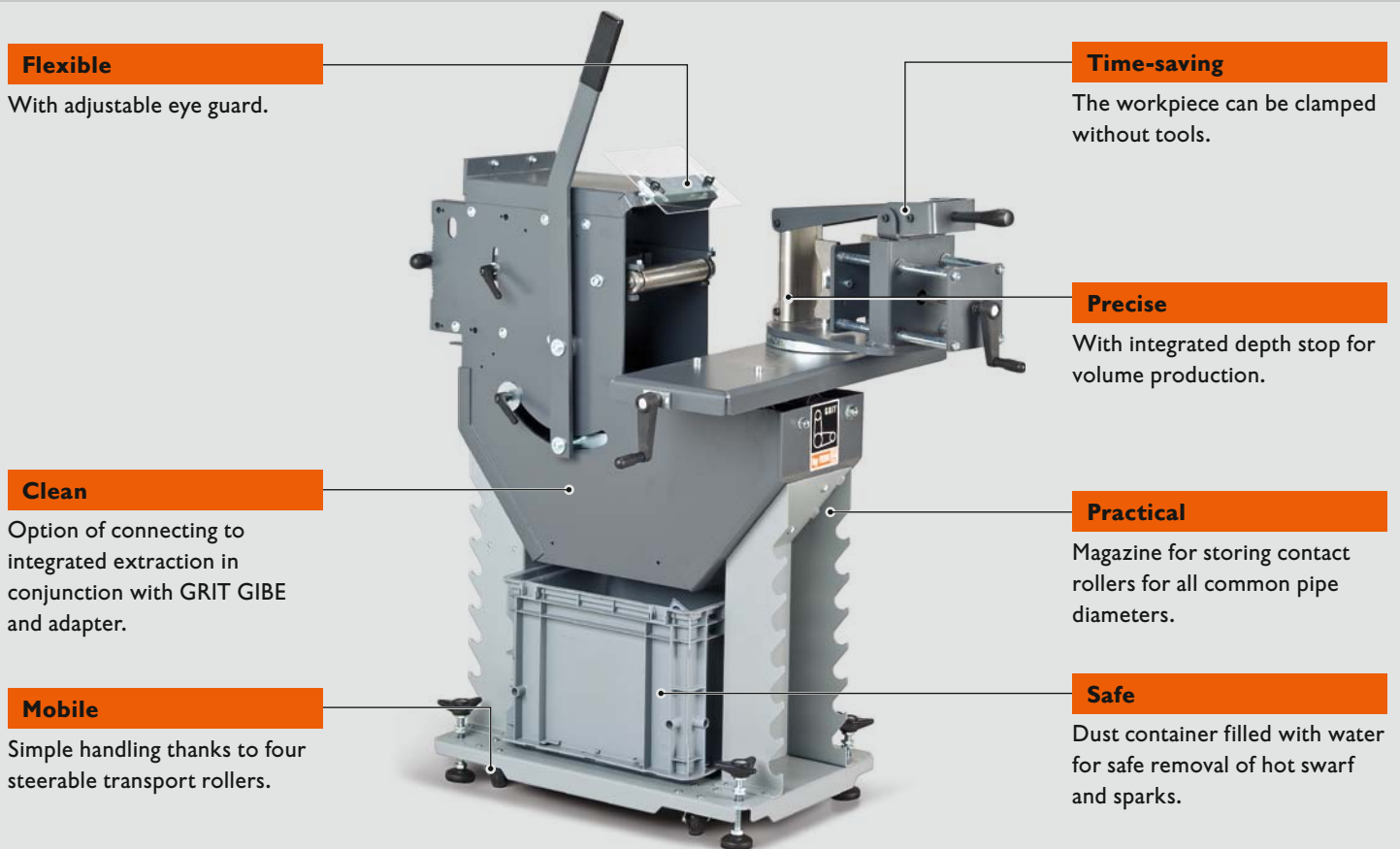


Radius grinding in volume production: the radius grinding module GRIT GIR.

Fast and accurate, the radius grinding module GRIT GIR is ideal for industrial use. Effective material removal guarantees cost-effective working – and with a belt width of 150 mm, the machine is also suited to workpieces with larger diameters.

The benefits for you:

- ▶ Accurate grinding of pipes with diameters of up to max. 150 mm.
- ▶ Fewer burrs and less tarnishing when machining stainless steel (with GRIT GI 150 2H/low speed).



Technical data

Model		GRIT GIR
		Radius grinding module for accurate grinding on pipes and profiles in volume applications and for extra-wide cross-sections too
Diameter of pipes	mm	20–150
Max. dimensions of profiles/flat material	mm	120 × 150
Belt dimensions	mm	150 × 2,250 / 150 × 2,400 (for contact rollers with diameters greater than 150 mm and mitre joint grinding plate)
Weight	kg	115
Order number		9 90 01 007 00 1

Also included: 1 contact roller for diameters of 42.4 mm/1 dust container; 1 150 × 2,250 mm grinding belt, grit 36 R

Radius grinder GRIT GI 150/GI 150 2H + GRIT GIB/GIBE + GRIT GIR

Radius grinder



Belt grinder (base unit)



GI 150	7 902 04
GI 150 2H	7 902 05



Machine base



GIB	9 90 01 003 00 0
GIBE	9 90 01 004 00 0



Radius grinding module



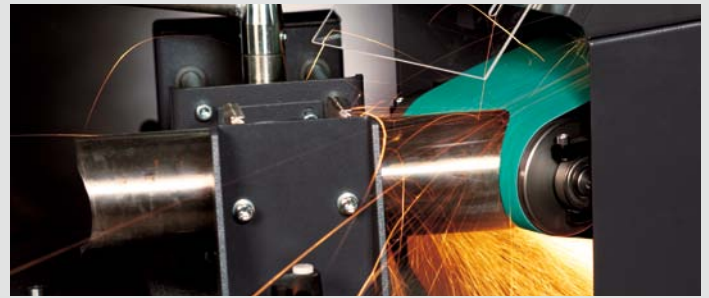
GIR	9 90 01 007 00 1
-----	------------------

Robust and powerful



The radius grinding module GRIT GIR was developed especially for use in industry. Thanks to its robust design, it is cost-effective and accurate in continuous use and when machining thick-walled or solid materials.

Very comfortable



Thanks to the quick clamping system, you can change the workpiece efficiently and easily using the heavy-duty vice. The stainless steel clamping jaws supplied prevent contact corrosion with stainless steel workpieces. The suction nozzle (order no. 6 99 02 182 00 0) is required for effective extraction.

Extremely flexible

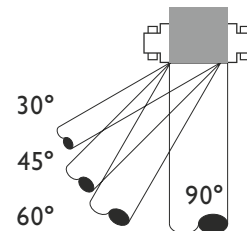


GRIT has developed a special mitre joint grinding plate to ensure smooth mitre joint grinding. The fact that it is easy to install makes it unique on the market. The mitre joint grinding plate is available as an option.

Maximum pipe diameter:

- ▶ 0° – Ø 110 mm
- ▶ 30° – Ø 80 mm
- ▶ 45° – Ø 60 mm

Variable adjustment



For angles of between 30° and 90°

- ▶ 30° / max. Ø 75 mm
- ▶ 45° / max. Ø 105 mm
- ▶ 60° / max. Ø 130 mm
- ▶ 90° / max. Ø 150 mm

Perfect results for mobile use: GRIT GIC.

The unique module for high volume, industrial rotary grinding. The GRIT GIC is quickly and easily attached to the basic machine without the need for tools (GRIT GI 75, GRIT GI 75 2H, GRIT GI 150, GRIT GI 150 2H are all suitable) and then masters all centreless grinding tasks, such as subsequent grinding of straight pipes and round materials, pre-grinding for subsequent chrome-plating and polishing and grinding pipes to a perfect surface finish. It delivers outstanding surface qualities and can be flexibly adapted to various pipe dimensions. Ideal for use in handrail and plant construction.

The benefits for you:

- ▶ Quick retooling time.
- ▶ High surface quality.
- ▶ Flexible when machining pipe dimensions of between 10 and 130 mm.
- ▶ Low-vibration and quiet.
- ▶ The option of wet grinding cuts down dust levels.
- ▶ Sturdy steel design.

Powerful

S1 three-phase motor, designed for continuous use.

Efficient

Quick fastener for simple retooling without the need for tools.



Flexible

Continuously variable feed speed for perfect surfaces.

Optional

Cooling lubricant module for wet grinding, for cool surfaces, a dust-free environment and long grinding belt service life.

Comfortable

Maximum mobility thanks to transport rollers.



Technical data

Model		GRIT GIC
		Rotary grinding module for industrial rotary grinding in volume production
Power	W	180
Diameter of pipes	mm	10–130
Length of pipes	mm	300–6,000
Variable feed	m/min	0–2
Belt width	mm	75/150
Belt length	mm	2,000
Weight	kg	65
Order number		7 902 12

Rotary grinder GRIT GI 75/GI 75 2H/GI 150/GI 150 2H + GRIT GIB + GRIT GIC + GRIT GXW

Centreless rotary grinder



Belt grinder (base unit)



GI 75	7 902 01
GI 75 2H	7 902 02
GI 150	7 902 04
GI 150 2H	7 902 05



Machine base



GIB 9 90 01 003 00 0



Rotary grinding module



GIC 7 902 12

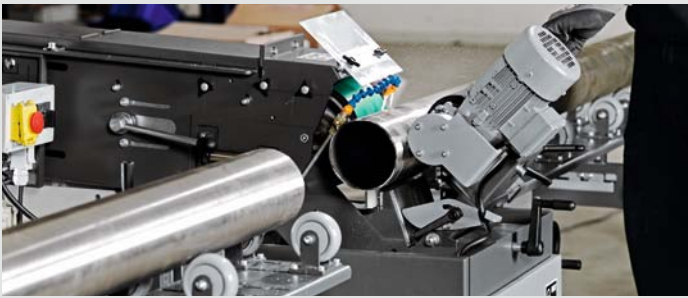


Cooling lubricant module



GXW 7 901 24

Extremely cost-effective



Like all elements of the GRIT GI range, the rotary grinding module GRIT GIC is designed to cope with extremely high loads. Maximum automation during manufacturing delivers reliable results and is kind to your wallet, even during continuous use.

Extremely easy to install



Combining the rotary grinding module GRIT GIC and the belt grinder GRIT GI is child's play and just takes a few steps.

Perfect results



Wet grinding allows you to achieve perfect results. Thanks to effective cooling with the cooling lubricant module GRIT GXW, the operating temperature on the workpiece is reduced considerably. This is particularly beneficial when machining stainless steel. Both overheating and the risk of corrosion are prevented. The water wiping system, which is also available as an option, allows you to automatically rid the machined workpiece of swarf or excess water.

Accurate machining as standard



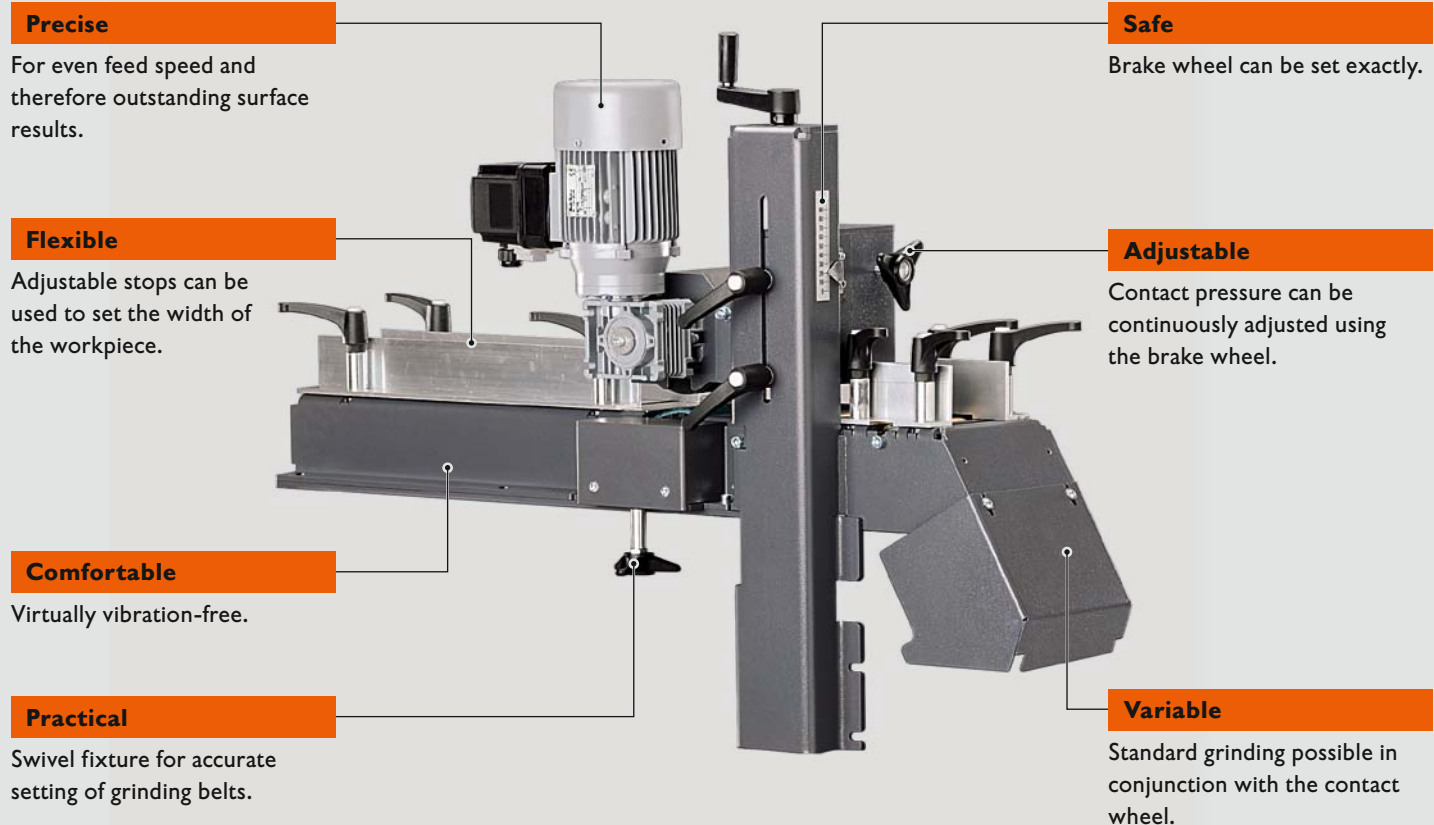
You can easily machine a wide range of pipe diameters with lengths of up to 6 m using the pipe guide, which is available as an option.

The automatic choice for surface grinding: the surface grinding module GRIT GIL.

This module is indispensable for machine and handrail construction and welded structures. The surface grinding module GRIT GIL for longitudinal grinding features an automated feed and is the only one of its kind on the market. The GRIT GIL is the quick and cost-effective way to achieve perfect surfaces and is suitable for all metals, even for machining stainless steel.

The benefits for you:

- ▶ Perfect machining of all metals, from steel and non-ferrous metals to stainless steel.
- ▶ Outstanding surface results, right up to finishing, in an extremely short time.
- ▶ Easy to handle, even when working with square and upright workpieces.
- ▶ Space-saving with swivel joint (optional).



Precise

For even feed speed and therefore outstanding surface results.

Safe

Brake wheel can be set exactly.

Flexible

Adjustable stops can be used to set the width of the workpiece.

Adjustable

Contact pressure can be continuously adjusted using the brake wheel.

Comfortable

Virtually vibration-free.

Variable

Standard grinding possible in conjunction with the contact wheel.

Practical

Swivel fixture for accurate setting of grinding belts.

Technical data		
Model	GRIT GIL	
	Surface grinding module for perfect longitudinal grinding of square pipes, profiles and flat materials in automatic processes	
Feed motor power	W	180
Max. dimensions of profiles/flat material	mm	100 × 100
Belt dimensions	mm	150 × 2 000
Weight	kg	64
Order number	7 902 28	

Longitudinal grinder GRIT GI 150/GI 150 2H + GRIT GIB/GIBE + GRIT GIL

Longitudinal grinder



Belt grinder (base unit)



GI 150	7 902 04
GI 150 2H	7 902 05



Machine base



GIB	9 90 01 003 00 0
GIBE	9 90 01 004 00 0



Longitudinal grinding module



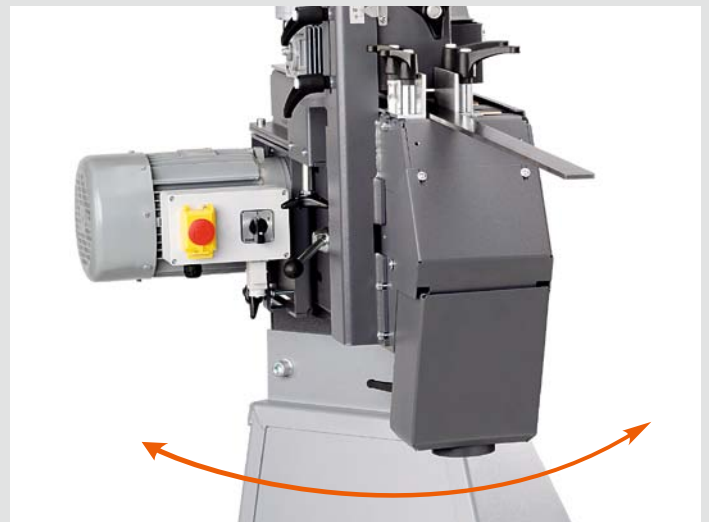
GIL	7 902 28
-----	----------

Surface grinding made easy



The unique surface grinding module GRIT GIL makes even longitudinal grinding of square and flat materials or profiles child's play. Converting from the belt grinder to surface grinder is just as easy. The belt dimensions of the basic machine are retained. FEIN has filed a patent for this GRIT solution.

Big on power, small on space



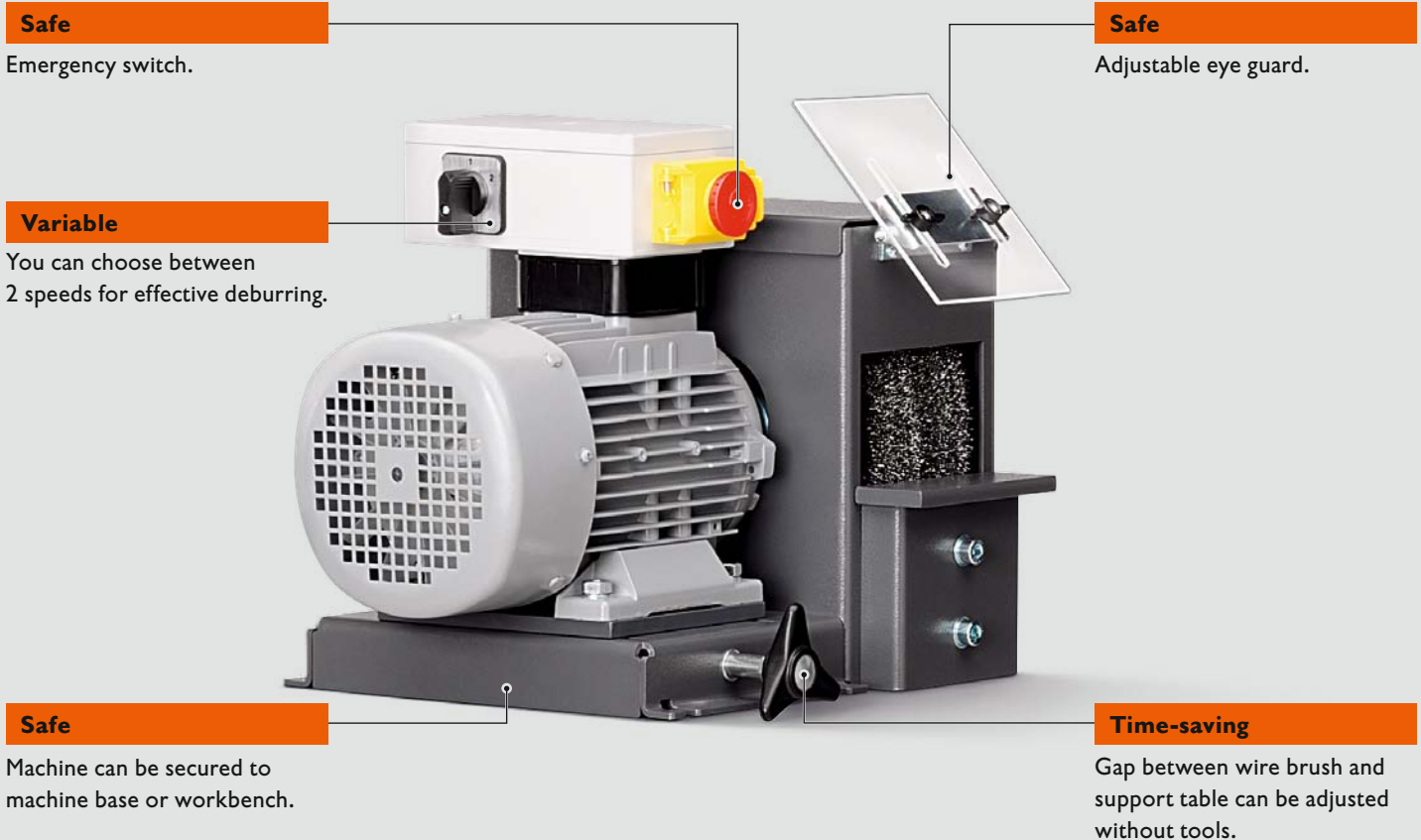
Thanks to the swivel joint GRIT GIT (available as an option, order no. 6 99 02 176 00 0) and the modular machine concept, you can even use the GRIT GIL module where space is tight, as the working range can be easily adapted to the spatial circumstances. The continuously variable swivel range is 0°–90°.

Deburring – done the industrial way: the deburring machine GRIT GIE.

Deburring workpieces made from steel, non-ferrous materials and stainless steel is quick and easy with the deburring machine GRIT GIE. The robust design and powerful drive make this machine ideal for industrial use. It's also easy to accommodate in tight spaces, either as a tabletop unit or with optional support stand.

The benefits for you:

- ▶ Efficient deburring with wire brushes and standard polishing tools.
- ▶ Flexible installation on the machine base or the workbench.
- ▶ Optimum speed adaptation with two speeds.
- ▶ Integrated extraction in combination with machine base GRIT GIXBE or using external extraction systems.



Safe
Emergency switch.

Safe
Adjustable eye guard.

Variable
You can choose between 2 speeds for effective deburring.

Safe
Machine can be secured to machine base or workbench.

Time-saving
Gap between wire brush and support table can be adjusted without tools.

Technical data		
Model		GRIT GIE
		Extremely effective deburring machine for deburring extra wide workpieces in industrial volume
Power	kW	1.5
Speed	rpm	1,500/3,000
Max. tool diameter	mm	250
Tool width	mm	2 x 60
Weight	kg	34
Order number		7 902 07

Deburring machine GRIT GIE + GRIT GIXS/GIXBE

Deburring machine



Deburring machine (base unit)



GIE 7 902 07



Machine base



GIXS 9 90 01 002
GIXBE 9 90 01 009

The cost-effective way to deburr pipes and profiles



Ideal for use after grinding pipes and profiles up to 150 mm wide. Extra wide wire surface thanks to 2 wire brushes clamped in parallel as a set.

Wire brushes that can be adapted flexibly



You can choose the wire brushes to suit the burr thickness, material type and wall thickness

Machine base GRIT GIXS without extraction



- ▶ Stable sheet metal machine base
- ▶ High level of stability thanks to dowel fastening

Machine base GRIT GIXBE with extraction



- ▶ Sheet metal machine base
- ▶ Sturdy dowel fastening
- ▶ Highly effective extraction
- ▶ Effective air cleaning
- ▶ Spark-resistant container for metal swarf
- ▶ Flexible, heat-resistant steel extraction hose

Technical data

Model	GRIT GIXS	
Dimensions (L × W × H)	mm	304 × 356 × 769
Weight	kg	18
Order number	9 90 01 002	

Technical data

Model	GRIT GIXBE	
Power	W	370
Max. vacuum	mbar	2.65
Dimensions (L × W × H)	mm	305 × 575 × 700
Weight	kg	58
Order number	9 90 01 009	

A professional belt grinder in miniature form: the belt grinder GRIT GI 100/GI 100 EF.

It's a miniature machine that fairly packs a punch. The belt grinder GRIT GI 100 is the compact machine for coarse grinding, deburring small parts and for continuous surface grinding in volume production. Its small size make this robust and compact belt grinder the perfect choice where space is tight.

The benefits for you:

- ▶ Extremely powerful belt grinder that can be used universally.
- ▶ Ideal for machining small parts.
- ▶ Can be used as a table-top machine or on a machine base with or without integrated extraction as an option (see page 31).

Safe

Stop, grinding gap and individually adjustable eye guard.

Flexible

Can be adjusted for linear grinding.

Variable

Can be installed on a machine base or be used as a table-top machine on the workbench.

Comfortable

Comfortable operation: low-vibration, patented belt tensioning system.

Clean

Prepared for connection to integrated extraction in combination with GRIT GIXBE or for external extraction system.



Technical data

Model		GRIT GI 100	GRIT GI 100 EF
		Miniature belt grinder, for universal use on smaller workpieces	
Power	kW	1.5	1.5
Voltage / type of current at 50/60 Hz	V	3 × 400 V (3~) / 3 × 440 V (3~)	1 × 230 (1~) / 1 × 230 (1~)
Idling speed at 50/60 Hz	rpm	3,000/3,450	3,000/3,450
Peripheral speed	m/sec.	30	30
Belt dimensions	mm	100 × 1,000	100 × 1,000
Weight	kg	28	28
Order number		7 902 03	7 902 03 00 23 2

Also included: 1 100 × 1,000 mm grinding belt, grit 60 Z

Belt grinder GRIT GI 100/GI 100 EF + GRIT GIXS/GIXBE

Belt grinder



Belt grinder (base unit)



GI 100 7 902 03
GI 100 EF 7 902 000 23 2



Machine base



GIXS 9 90 01 002
GIXBE 9 90 01 009

Cleaner air thanks to fine dust filter



Ideal for grinding, chamfering and deburring small parts. When combined with the machine base GRIT GIXBE, swarf is extracted through a fine dust filter.

Machine base GRIT GIXS without extraction



- ▶ Stable sheet metal machine base.
- ▶ High level of stability thanks to dowel fastening.

Machine base GRIT GIXBE with extraction



- ▶ Sheet metal machine base.
- ▶ Sturdy dowel fastening.
- ▶ Highly effective extraction
- ▶ Effective air cleaning.
- ▶ Spark-resistant container for metal swarf.
- ▶ Flexible, heat-resistant steel extraction hose.

Technical data

Model	GRIT GIXS	
Dimensions (L × W × H)	mm	304 × 356 × 769
Weight	kg	18
Order number	9 90 01 002	

Technical data

Model	GRIT GIXBE	
Power	W	370
Max. vacuum	mbar	2.65
Dimensions (L × W × H)	mm	305 × 575 × 700
Weight	kg	58
Order number	9 90 01 009	

Designed for one application: the belt grinders GRIT GIS 75/GIS 150.

When it comes to belt grinding under extreme conditions, for instance, in heavy-duty applications, the belt grinders GRIT GIS 75 and GRIT GIS 150 are the right machines for the job. They are characterised by their robust motors, easy of handling and top-class product and work quality. The machines are also extremely easy to commission, feature numerous equipment details aimed consistently at the needs of day-to-day belt grinding and offer fantastic value for money.

The benefits for you:

- ▶ One machine concept, aimed solely at high-performance belt grinding.
- ▶ High level of working safety thanks to numerous safety features (CE symbol).
- ▶ No need to call in an electrician for commissioning.

Quiet

Drive disk with polyurethane coating for vibration-free and quiet operation

Powerful

S1 three-phase motor with 4 kW power, designed for continuous use

Robust

Welded machine design for high loads

Useful

Height-adjustable surface grinding table

Effective

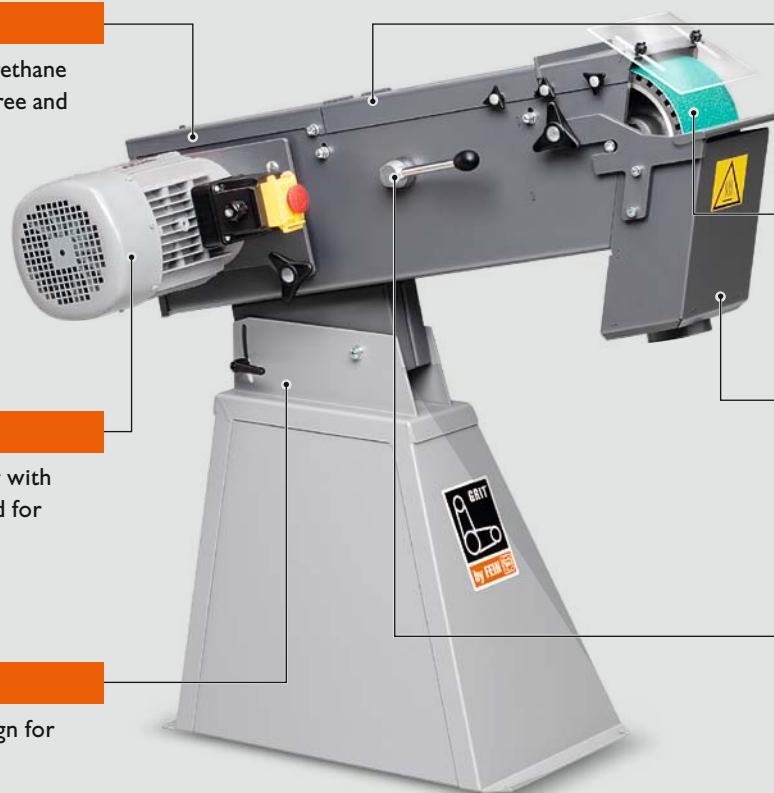
Contact wheel with helical groove for greatly enhanced material removal

Comfortable

Working height, swarf container, stop, grinding gap and eye guard can all be adjusted without the need for tools

Intelligent

Automatic, patented belt tensioner with gas spring



Technical data

Model		GRIT GIS 75	GRIT GIS 150
		High-performance grinder for standard grinding applications in metalworking	High-performance grinder for standard grinding applications for extra-wide workpieces
Power	kW	4.0	4.0
Speed	m/sec	30	30
Speed	rpm	3,000	3,000
Belt dimensions	mm	75 × 2,000	150 × 2,000
Weight	kg	74	93
Order number		7 902 29 50	7 902 30 50

Also included: 1 grinding belt, grit 36 Z; 1 16 A CEE plug



Surface grinding



Surface grinding takes place after opening or complete removal of the top cover on the height-adjustable surface grinding table. The graphite coating between the grinding belt and support is a perfect sliding base and preserves the grinding belt.

Coarse grinding



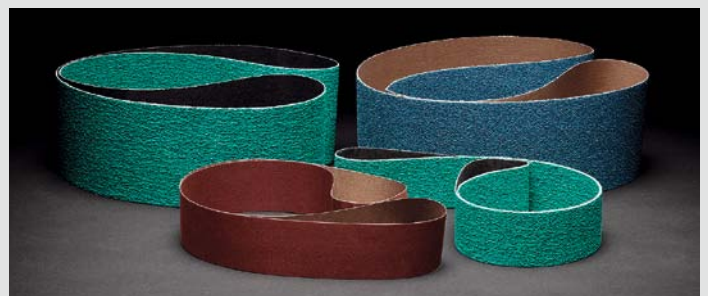
It's the ideal solution for standard applications in belt grinding. The powerful three-phase motor combined with the specially grooved GRIT contact wheel and the GRIT high-performance grinding belts ensure first-class work progress and perfect results, even in continuous use.

Belt tensioner



The gas spring tension automatically balances the dimensional tolerances of the belts. Combined with a polyurethane-coated drive disk, the optimum belt tension is achieved – without slipping.

GRIT grinding materials



Only a high-quality grinding belt can achieve professional cutting performance. The GRIT grinding belts have therefore always been a permanent feature of the GRIT premium concept. They offer consistently outstanding performance in terms of both grinding and service life – which makes GRIT grinding belts very cost-effective to use.

Belt grinding goes mobile: GRIT GIMS.

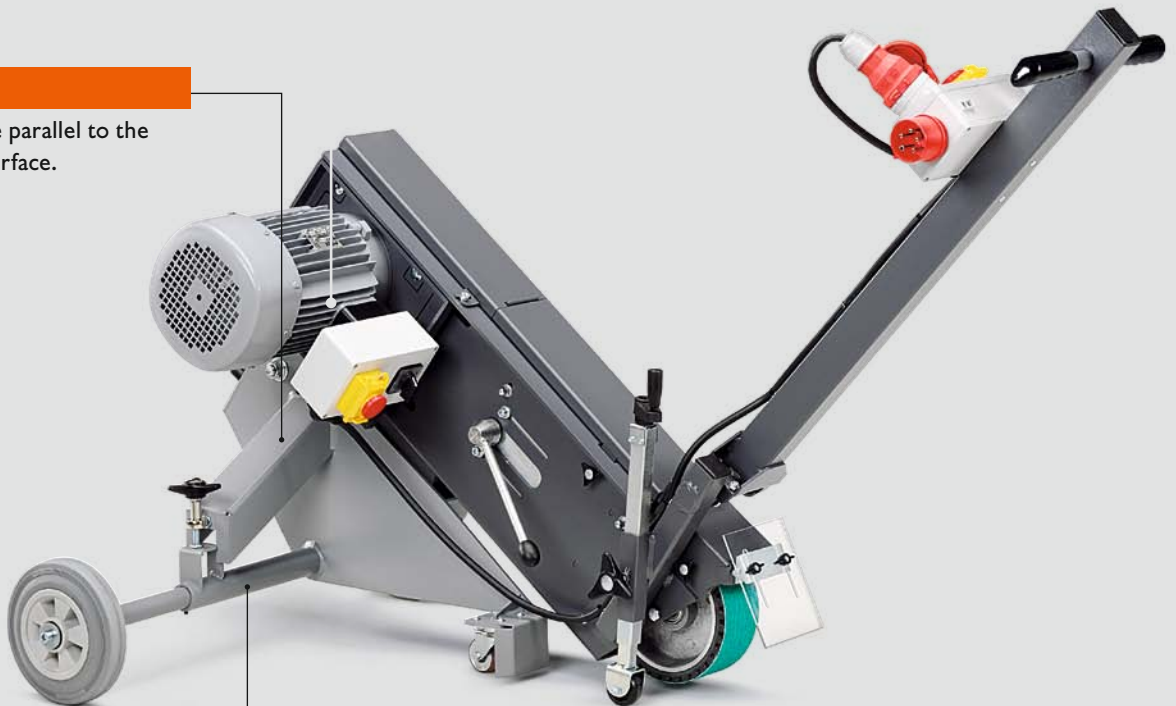
The mobile grinder GRIT GIMS is used whenever transporting the workpiece requires a lot of effort. The mobile grinding unit can therefore be used in various locations, in shipbuilding, for instance. Welded seams on the ground can be finished in a flash – with minimal effort, no need to stoop and massive time savings compared with alternative methods.

The benefits for you:

- ▶ Massive time savings when grinding welded seams on the ground.
- ▶ Easy to grind steel casting moulds for concrete finished parts.
- ▶ Fatigue-free working in a comfortable position.
- ▶ Various designs to suit application.

Precise

Contact plate parallel to the workpiece surface.



Flexible

Adjustable centre distance for tight spaces.

Technical data

Model		GRIT GIMS 75		GRIT GIMS 150		GRIT GIMS 75 2H	GRIT GIMS 150 2H
Mobile transport unit for extremely effective "local" belt grinding work on the ground							
Power	kW	4	6	4	6	2.6/3.1	2.6/3.1
Voltage / type of current at 50/60 Hz	V	230/220 (3~) 400/440 (3~)	230/220 (3~) 400/440 (3~)	230/220 (3~) 400/440 (3~)	230/220 (3~) 400/440 (3~)	400/440 (3~)	400/440 (3~)
Weight	kg	100–115					
Order number		7 902 13	7 902 18	7 902 14	7 902 19	7 902 16	7 902 17

Mobile grinder GRIT GIMS 75/GIMS 150/GIMS 75 2H/GIMS 150 2H

Mobile grinder

**Comfortable working**

The mobile grinder GRIT GIMS is characterised by comfortable handling in many work situations.

Excellent material removal

The GRIT GIMS delivers outstanding removal of material from raised welded seams.

The automatic choice for surface grinding: the surface grinder GRIT GILS.

This grinder is indispensable for machine and handrail construction and welded structures. The surface grinder GRIT GIL for longitudinal grinding features an automated feed and is the only one of its kind on the market. It is the quick and cost-effective way to achieve perfect surfaces and is suitable for all metals, even for machining stainless steel.

The benefits for you:

- ▶ Perfect machining of all metals, from steel and non-ferrous metals to stainless steel.
- ▶ Outstanding surface results, right up to finishing, in an extremely short time.
- ▶ Easy to handle, even when working with square and upright workpieces.

Precise

For even feed speed and therefore outstanding surface results.

Flexible

Adjustable stops can be used to set the width of the workpiece.

Comfortable

Virtually vibration-free.

Grinding belt feeding

For accurate feeding of the grinding belts.

Safe

Brake wheel can be set exactly.

Adjustable

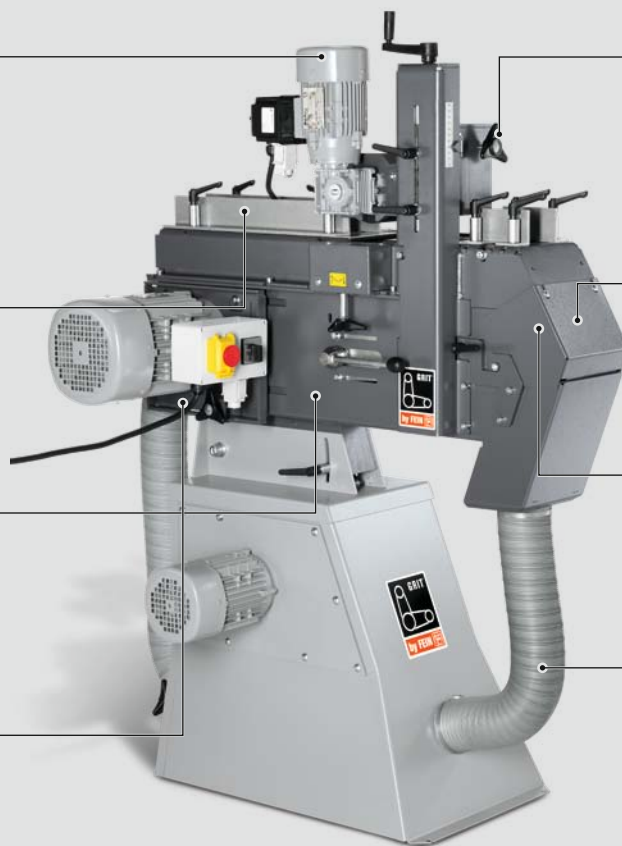
Contact pressure can be continuously adjusted using brake wheel.

Variable

Standard grinding possible in conjunction with the contact wheel.

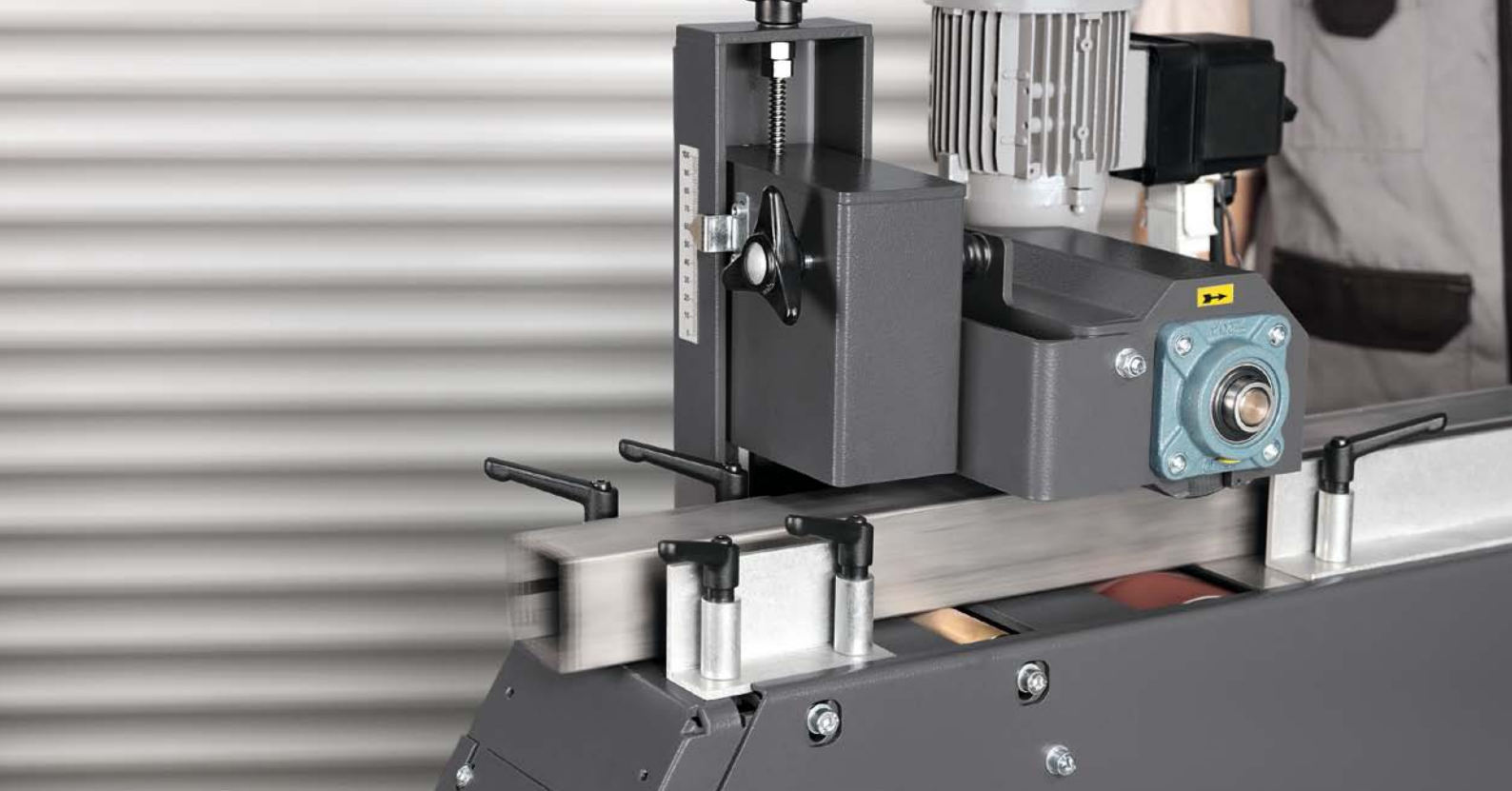
Clean

Highly effective double extraction with cartridge filter for effective air cleaning.



Technical data

Model		GRIT GILS
		Surface grinder for perfect longitudinal grinding of square pipes, profiles and flat materials in automatic processes
Power	kW	2.6–3.1
Feed motor power	W	180
Belt dimensions	mm	150 × 2,000
Max. dimensions of profiles/ flat material	mm	100 × 100
Weight	kg	206
Order number		7 902 31
		7 902 15 (without extraction)



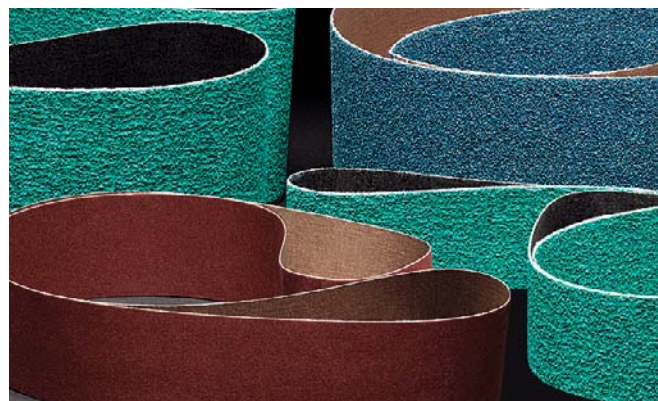
Surface grinding made easy



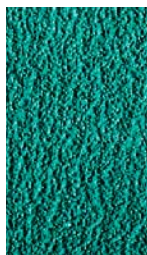
The unique surface grinder GRIT GILS makes even longitudinal grinding of square and flat materials or profiles child's play. The belt dimensions of the basic machine are retained. FEIN has filed a patent for this GRIT solution.

Nothing but the best: original GRIT grinding belts.

The high quality requirements placed on GRIT machines apply to the grinding belts too. FEIN believes that grinding belts should be of premium quality – for effective material removal and outstanding service lives in metalworking, which makes GRIT grinding belts very cost-effective to use. Using the best raw materials and own assembly facilities also delivers perfect value for money.



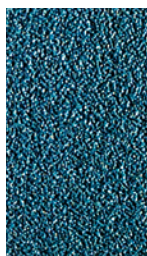
GRIT grinding material R



Extra heavy polyester fabric, fully bonded with artificial resins, with zirconium corundum. Additional top layer for cooling during grinding.

Grit	No. in pack	75 × 2000	75 × 2250	75 × 3000	100 × 1000	150 × 2000	150 × 2250
24	10	6 99 03 000 00 0	-	-	-	6 99 03 039 00 0	-
36	10	6 99 03 002 00 0	6 99 03 020 00 0	-	-	6 99 03 040 00 0	6 99 03 053 00 0
40	10	6 99 03 004 00 0	-	-	-	6 99 03 042 00 0	-
60	10	6 99 03 007 00 0	-	6 99 03 025 00 0	-	6 99 03 044 00 0	-
80	10	6 99 03 009 00 0	-	6 99 03 027 00 0	-	6 99 03 046 00 0	-
120	10	6 99 03 013 00 0	-	6 99 03 029 00 0	-	6 99 03 048 00 0	-

GRIT grinding material Z



Heavy polyester fabric, fully bonded with artificial resins, with zirconium corundum.

Grit	No. in pack	75 × 2000	75 × 2250	75 × 3000	100 × 1000	150 × 2000	150 × 2250
24	10	-	-	-	-	-	-
36	10	6 99 03 003 00 0	6 99 03 021 00 0	-	6 99 03 034 00 0	6 99 03 041 00 0	6 99 03 054 00 0
40	10	6 99 03 005 00 0	-	-	6 99 03 035 00 0	6 99 03 043 00 0	-
60	10	6 99 03 008 00 0	-	6 99 03 026 00 0	6 99 03 036 00 0	6 99 03 045 00 0	-
80	10	6 99 03 010 00 0	-	6 99 03 028 00 0	6 99 03 037 00 0	6 99 03 047 00 0	-
120	10	6 99 03 014 00 0	-	6 99 03 030 00 0	6 99 03 038 00 0	6 99 03 049 00 0	-

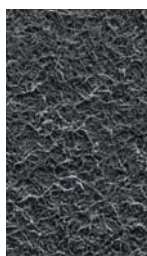
GRIT grinding material A



Heavy cotton fabric, fully bonded with artificial resins, with corundum.

Grit	No. in pack	75 × 2000	75 × 2250	75 × 3000	100 × 1000	150 × 2000	150 × 2250
220	10	6 99 03 017 00 0	-	6 99 03 031 00 0	-	6 99 03 050 00 0	-
320	10	6 99 03 018 00 0	-	6 99 03 032 00 0	-	6 99 03 051 00 0	-
400	10	6 99 03 019 00 0	-	6 99 03 033 00 0	-	6 99 03 052 00 0	-

Fleece belts for GRIT machines



Reliable for everything from covering up minor mistakes to a perfect finish. Long service lives make for cost-effective working. Suitable for GRIT GX 75, GRIT GXC, GRIT GI 75, GRIT GI 150, GRIT GIC, GRIT GIL and GRIT GILS. Also suited to wet sanding.

Grit	No. in pack	75 × 2000	150 × 2000
very fine (blue)	3	6 99 03 121 01 0	6 99 03 120 01 0
medium (red)	3	6 99 03 119 01 0	6 99 03 118 01 0
coarse (brown)	3	6 99 03 117 01 0	6 99 03 116 01 0

GRIT GX 75/GX 75 2H accessories

Stainless steel upgrade set

Stainless steel standing supports which can be upgraded.

Order number 6 99 02 338 00 0

Graphite coating

As sliding base for surface grinding, 5 in pack

Order number 3 90 00 000 00 1

Contact wheel

Hardness, 80 shore

Order number 3 90 00 000 00 5

Eye guard

Acrylic glass plate for protection against flying sparks, 3 in pack



Order number 3 90 00 000 00 4

Dust container

For extinguishing sparks, metal lid for hose connection, plastic, handles on the sides, capacity approx. 20 l.

Order number 6 99 02 343 00 0

Stainless steel set GX 75

Order number 6 99 02 338 00 0

GRIT GXR accessories

Stainless steel clamping jaw

Interchangeable, for vice when machining stainless steel, 1 in pack



Order number 6 99 02 004 00 0

Length stop

1,000 mm long, continuously variable, easy to fit



Order number 6 99 02 001 00 0

Contact rollers

Easy to fit, ball bearings on both sides



Ø mm	Order number
16	6 99 02 020 00 0
17	6 99 02 021 00 0
17.2	6 99 02 022 00 0
18	6 99 02 023 00 0
19	6 99 02 024 00 0

Ø mm	Order number
20	6 99 02 025 00 0
21	6 99 02 026 00 0
21.3	6 99 02 027 00 0
22	6 99 02 028 00 0
22.2	6 99 02 029 00 0
22.5	6 99 02 030 00 0
23	6 99 02 031 00 0
23.1	6 99 02 032 00 0
24	6 99 02 033 00 0
24.5	6 99 02 034 00 0
25	6 99 02 035 00 0
25.4	6 99 02 036 00 0
25.9	6 99 02 037 00 0
26	6 99 02 038 00 0
26.4	6 99 02 039 00 0
26.9	6 99 02 040 00 0
27	6 99 02 041 00 0
28	6 99 02 042 00 0
28.6	6 99 02 043 00 0
28.8	6 99 02 044 00 0
29	6 99 02 045 00 0
30	6 99 02 046 00 0
31.7	6 99 02 047 00 0
32	6 99 02 048 00 0
33	6 99 02 049 00 0
33.7	6 99 02 050 00 0
34	6 99 02 051 00 0
35	6 99 02 052 00 0
36	6 99 02 053 00 0
37.5	6 99 02 054 00 0
38	6 99 02 055 00 0
38.1	6 99 02 056 00 0
38.3	6 99 02 057 00 0
40	6 99 02 058 00 0
41	6 99 02 059 00 0
41.2	6 99 02 060 00 0
42	6 99 02 061 00 0
42.4	6 99 02 062 00 0
42.6	6 99 02 063 00 0
43	6 99 02 064 00 0
43.3	6 99 02 065 00 0
44	6 99 02 066 00 0
44.5	6 99 02 067 00 0
45	6 99 02 068 00 0
46	6 99 02 069 00 0
48	6 99 02 070 00 0
48.3	6 99 02 071 00 0
49	6 99 02 072 00 0
50	6 99 02 073 00 0
50.8	6 99 02 074 00 0
51	6 99 02 075 00 0
53	6 99 02 076 00 0
53.7	6 99 02 077 00 0
54	6 99 02 078 00 0
55	6 99 02 079 00 0
57	6 99 02 080 00 0
58	6 99 02 081 00 0
59	6 99 02 082 00 0
60	6 99 02 083 00 0
60.3	6 99 02 084 00 0
63	6 99 02 085 00 0
63.5	6 99 02 086 00 0
65	6 99 02 087 00 0
67	6 99 02 088 00 0
75	6 99 02 092 00 0

Ø mm	Order number
69	6 99 02 089 00 0
70	6 99 02 090 00 0
73	6 99 02 091 00 0
76	6 99 02 093 00 0
76.1	6 99 02 094 00 0
76.2	6 99 02 095 00 0
80	6 99 02 096 00 0
82.5	6 99 02 097 00 0
88.9	6 99 02 098 00 0
90	6 99 02 099 00 0

GRIT GXR accessories

Eye guard

Acrylic glass plate for protection against flying sparks, 3 in pack



Order number 3 90 00 000 00 7

Water container

Plastic, for extinguishing sparks, with handles on the sides, capacity approx. 20 l



Order number 3 90 00 000 48 5

Connecting piece

Required to adapt the GRIT GXR module to a belt grinder in the GRIT GI range

Order number 6 99 02 186 00 0

GRIT GXC accessories

Pipe guide GXC

Order number 6 99 02 179 60 0

Individual guide GXIS-1

Ø 0–130 mm

Order number 6 99 02 180 60 0

Pipe guide GXIS-2

Ø 0–130 mm, length > 1000 mm

Order number 6 99 02 181 60 0

Guide rail, brass

For dry grinding and coarse material surfaces



Order number 3 90 00 000 49 6

Guide rail, nylon

For high surface quality



Order number 3 90 00 000 49 7

Connecting piece

Required to adapt the GRIT GXC module to a belt grinder in the GRIT GI range

Order number 6 99 02 187 00 0

Pipe guide

For pipes with diameter 10 mm–100 mm.

Order number 6 99 02 179 60 0

GRIT GXE accessories

Stainless steel standing support

Can be upgraded, stainless steel version.

Order number 6 99 02 344 00 0

Steel wire brush

250 x 60 mm in diameter, with very high wire tensile strength for highly cost-effective use, mounting hole diameter 51 mm.

0.2 mm-thick wire for thin-walled pipes and profiles. 0.35 mm-thick wire for universal use. 0.5 mm-thick wire for thick-walled pipes and profiles and great deburring results.

Steel version:



Wire thickness mm	Order number
0.20	6 99 02 006 00 0
0.35	6 99 02 007 00 0
0.50	6 99 02 008 00 0

Stainless steel version:



Wire thickness mm	Order number
0.20	6 99 02 009 00 0
0.35	6 99 02 010 00 0

Eye guard

Acrylic glass plate for protection against flying sparks, 3 in pack



Order number 3 90 00 000 00 4

Sanding system, stainless steel GXE

Order number 6 99 02 344 00 0

ACCESSORIES

GRIT GXW accessories

Cooling lubricant emulsion

Concentrate, 10 l, mixing ratio 1:30, yields 300 l of ready-to-use cooling lubricant

Order number 6 99 02 100 00 0

Other GRIT GX accessories

Flexible hose

For swarf extraction, 90 mm in diameter, 1 m long, steel, high level of heat resistance



Order number 3 90 00 000 00 2

Tensioning belt

For securing the flexible hose

Order number 3 90 00 000 00 3

Dust container

For extinguishing sparks, metal lid for hose connection, plastic, handles on the sides, capacity approx. 20 l



Order number 6 99 02 000 00 0

Extractor GX5

Order number 6 99 02 000 14 7

GRIT GI 75/GI 75 2H accessories

Graphite coating

As sliding base for surface grinding, 80 x 430 mm, 5 in pack

Order number 3 90 00 000 00 1

Contact wheel

200 x 75 mm in diameter, hardness, 80 shore

Order number 3 90 00 000 00 5

Drive wheel

With polyurethane coating for long service life, 200 x 75 mm in diameter

Order number 3 90 00 000 00 6

Eye guard

Acrylic glass plate for protection against flying sparks, 3 in pack



Order number 3 90 00 000 00 7

Mitre joint unit for preparation of welded seams GI 75/GIS 75

Order number 6 99 02 000 15 0

Stainless steel set GI 75/GIS 75

Order number 6 99 02 000 14 8

GRIT GI 150/GI 150 2H accessories

Graphite coating

As sliding base for surface grinding, 155 x 430 mm, 3 in pack

Order number 3 90 00 000 05 6

Contact wheel

200 x 150 mm in diameter, hardness, 80 shore

Order number 3 90 00 000 18 8

Drive wheel

With polyurethane coating for long service life, 200 x 150 mm in diameter

Order number 3 90 00 000 08 9

Mitre joint unit for preparation of welded seams GI 150/GIS 150

Order number 6 99 02 000 15 1

Stainless steel set GI 150/GIS 150

Order number 6 99 02 000 14 9

GRIT GI 150/GI 150 2H accessories

Eye guard

Acrylic glass plate for protection against flying sparks, 3 in pack



Order number 3 90 00 000 18 4

GRIT GIL accessories

Swivel joint GRIT GIT

For adapting working area to tight spaces, continuously variable swivel range of up to 90°.

Order number 6 99 02 176 00 0

GRIT GIR accessories

Contact rollers

Long service lives, low roll resistance thanks to high-quality ball bearings, easy to interchange



Ø mm	Order number
20	6 99 02 101 00 0
22	6 99 02 102 00 0
25	6 99 02 103 00 0
25.4	6 99 02 104 00 0
26.9	6 99 02 105 00 0
28	6 99 02 106 00 0
30	6 99 02 107 00 0
32	6 99 02 108 00 0
33.7	6 99 02 109 00 0
35	6 99 02 110 00 0
38	6 99 02 111 00 0
38.1	6 99 02 112 00 0
38.3	6 99 02 113 00 0
40	6 99 02 114 00 0
42.4	6 99 02 115 00 0
44.5	6 99 02 116 00 0
48.3	6 99 02 117 00 0
50	6 99 02 118 00 0
50.8	6 99 02 119 00 0
60	6 99 02 120 00 0
60.3	6 99 02 121 00 0
63.5	6 99 02 122 00 0
69	6 99 02 123 00 0
76.1	6 99 02 124 00 0
76.2	6 99 02 125 00 0
84	6 99 02 126 00 0
88.9	6 99 02 127 00 0
101.6	6 99 02 128 00 0
104	6 99 02 129 00 0
108	6 99 02 130 00 0
114.3	6 99 02 131 00 0
133	6 99 02 132 00 0
139.7	6 99 02 133 00 0
168.3	6 99 02 134 00 0
193.7	6 99 02 135 00 0

Eye guard

Acrylic glass plate for protection against flying sparks, 3 in pack



Order number 3 90 00 000 18 4

Suction nozzle

For optimum extraction, for connection to the machine base GRIT GIBE with double extraction



Order number 6 99 02 182 00 0

Mitre joint grinding plate GIG

For precision mitre joint grinding, easy assembly.

Order number 6 99 02 175 00 0

GRIT GIE accessories

Steel wire brush

250 mm x 60 mm in diameter, with very high wire tensile strength for highly cost-effective use, mounting hole diameter 51 mm.

0.2 mm-thick wire for thin-walled pipes and profiles. 0.35 mm-thick wire for universal use. 0.5 mm-thick wire for thick-walled pipes and profiles and great deburring results.

Steel version:



Wire thickness mm	Order number
0.20	6 99 02 006 00 0
0.35	6 99 02 007 00 0
0.50	6 99 02 008 00 0

Stainless steel version:



Wire thickness mm	Order number
0.20	6 99 02 009 00 0
0,35	6 99 02 010 00 0

Eye guard

Acrylic glass plate for protection against flying sparks, 3 in pack



Order number 3 90 00 000 00 7

GRIT GIE accessories

Cartridge filter

Suitable for GRIT GIBE

Order number 3 90 000 97 6

Cartridge filter

Suitable for GRIT GIXBE

Order number 3 90 00 001 10 1

GRIT GIC accessories

Individual guide GXIS-1

Ø 0-130 mm

Order number 6 99 02 180 60 0

Pipe guide GXIS-2

Ø 0-130 mm, length >1000 mm

Order number 6 99 02 181 60 0

Pipe cleaning unit

For a clean and dry working environment. The coolant is wiped off the pipe surface without the pipe being scratched. For pipes with a diameter of between 10 and 130 mm. Easy to fit on GIC.



Order number 6 99 02 000 14 6

Drilling template

For installation on belt grinders GRIT GI 75/GI 75 2H from before the 1034026 series. For producing threaded holes on these belt grinders at a later date.

Order number 3 90 00 004 55 4

Guide rail, brass

For dry grinding and coarse material surfaces



Order number 3 90 00 000 49 6

Guide rail, nylon

For high surface quality



Order number 3 90 00 000 49 7

Cooling lubricant emulsion

Concentrate, 10 l, mixing ratio 1:30, yields 300 l of ready-to-use cooling lubricant

Order number 6 99 02 100 00 0

Other accessories GRIT GI

Flexible hose

For swarf extraction, 90 mm in diameter, steel, 1 m long, high level of heat resistance



Order number 3 90 00 000 00 2

Tensioning belt

For securing the flexible hose

Order number 3 90 00 000 00 3

Dust container

Plastic container for collecting swarf, approx. 400 x 300 x 285 mm, can also be used as a water container to extinguish sparks, capacity approx. 20 l



Order number 3 90 00 000 48 5

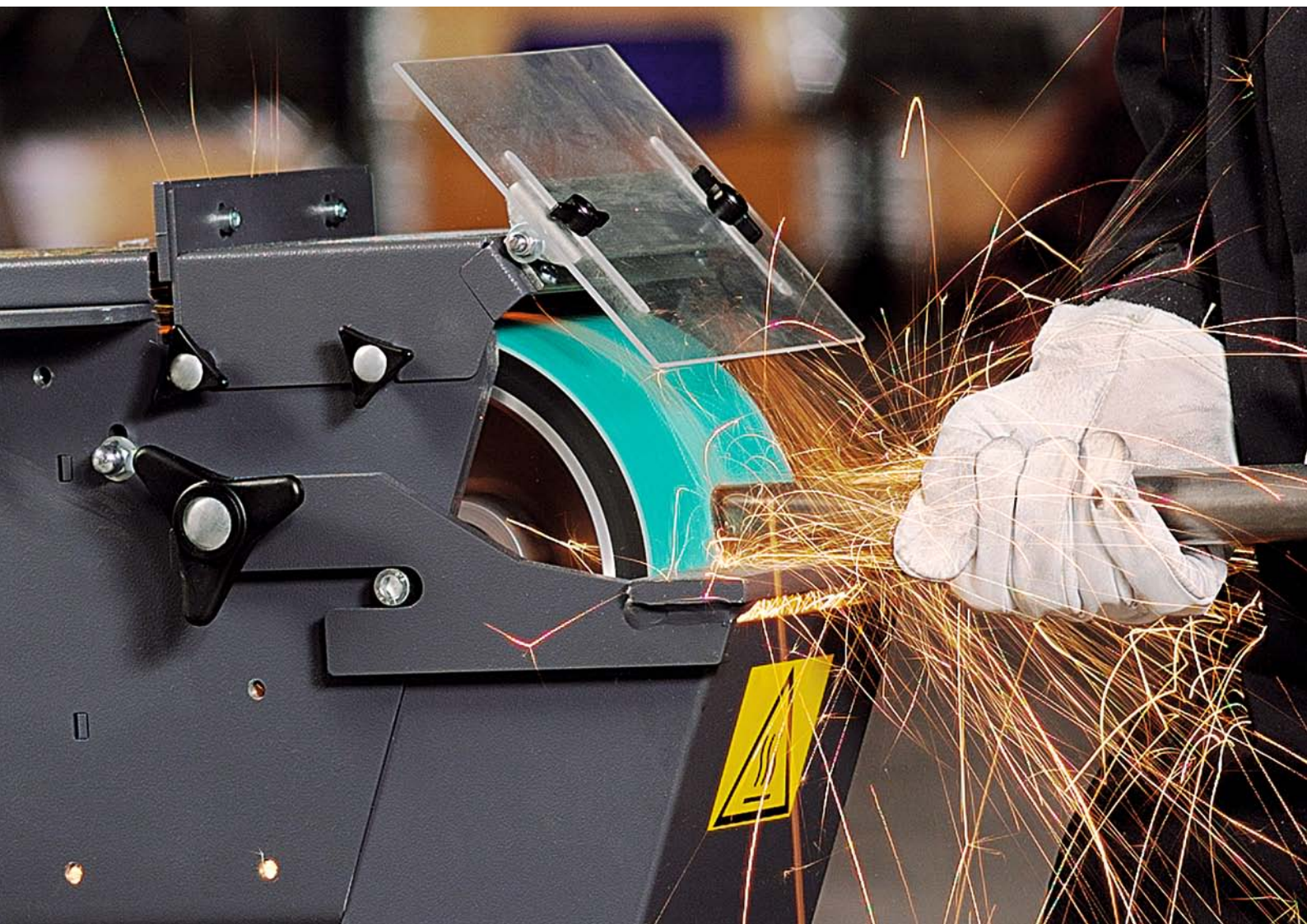
With metal cover for hose connection



Order number 6 99 02 000 00 0

Extractor GXS

Order number 6 99 02 000 14 7





**Do you have any further questions? Or would you like to test the GRIT belt grinders?
Your specialist dealer will be happy to help:**

DE: C. & E. Fein GmbH, Telefon 07173 183-0, www.fein.com

AE: FEIN Middle East FZE, Tel. 04 8861168, www.fein.ae

Metallic Building Materials L.L.C, Tel. 04 2894393, www.mbmuae.com

Asia: FEIN Power Tools Asia Limited, A1, Phone 2341-1026, www.fein.asia

AU: FEIN Power Tools Pty. Ltd., Phone 1300 798 688, www.fein.com.au

IN: FEIN Power Tools India Pvt. Ltd., Phone 044-43 578 680, www.fein.in

SA: Mimar for Construction Tools & Trading Ltd., Phone 02 6686888, www.fein.ae

UK: FEIN Industrial Power Tools UK Ltd., Phone 01327 308730, www.fein-uk.co.uk

