

► AUTOMOTIVE

FEIN. Unverwüstliche
Elektrowerkzeuge.



Precise, reliable, programmable – FEIN AccuTEC.

FEIN, the full-range supplier for precision screw applications in industrial series production.

A mechanic wearing a grey t-shirt and black overalls is using an orange FEIN ASW 18 AccuTEC torque wrench on the engine of a car. The wrench is being used to tighten a bolt on the engine. The background shows a workshop setting with a grey wall and a window with blinds.

ASW 18
- now up to
159 lbf in (18 Nm)

FEIN AccuTEC screwdrivers – for absolute process reliability, outstanding cost-effectiveness and maximum precision.

FEIN ACCUTEc screwdrivers are specially developed for the stringent requirements of industrial series production. They offer outstanding repeat accuracy, maximum precision and enormous flexibility. Fully adjustable across large torque ranges, they master numerous different screw applications and the programmable models permit the handling of individual torque-rate joints.

FEIN ACCUTEc screwdrivers are fully equipped for continuous use in industry.

- ▶ Outstanding ergonomics and short designs.
- ▶ Maximum functionality and a simple operating concept.
- ▶ High quality screw connections in the 4.4 to 531 lbf in (0.5 to 60 Nm) torque range.
- ▶ Infinitely variable setting of no-load speeds from 20 to a maximum of 1340 rpm.



FEIN advantages:

- ▶ Brushless FEIN PowerDrive motors with high efficiency for up to 30% more screw applications per battery charge.
- ▶ High screw application quality thanks to low starting torques, independent of the torque-rate joint.
- ▶ Industrial-quality FEIN li-ion batteries with SafetyCell technology for maximum durability.
- ▶ Low maintenance costs due to long service life.
- ▶ Process-optimized shut-off screwdrivers are certifiable according to ISO 5393 and satisfy the MFU machine capability test according to VDI/VDE 2647.
- ▶ Made in Germany.



FEIN ACCUTEc baton offset screwdrivers

The cordless shut-off screwdrivers from FEIN in a baton offset design can be used for screw applications of up to 531 lbf in (60 Nm). Their ergonomic and compact design makes it possible to work without fatigue, even when spatial conditions are restrictive.



FEIN ACCUTEc screw gun with mid-mounted handle

The cordless shut-off screwdrivers from FEIN in mid-mounted handle design are ideal for screw applications of up to 106 lbf in (12 Nm). The low weight and ergonomic grip make it possible to work for long periods of time.



FEIN ACCUTEc ParameterControl

Complex screw applications can be divided into as many as seven segments with the programmable FEIN ACCUTEc PC screwdrivers. As a result, the FEIN ACCUTEc PC screwdriver can be customized to the torque-rate joint. This not only saves time, but also allows for optimal screw applications.

NEW

FEIN AccuTEC ASW 18: maximum flexibility, high performance and pinpoint precision.

The new FEIN AccuTEC ASW 18 baton offset screwdriver makes screw connections for torques up to 159 lbf in (18 Nm) more reliable and efficient. Not only are the maximum torque and speed values impressive, but both parameters can be individually adjusted over a large range, which ensures maximum flexibility.

FEIN advantages:

- ▶ Compact shape for work in difficult-to-reach spots.
- ▶ Maintenance-free, brushless FEIN PowerDrive motor.
- ▶ Restart delay and protection.
- ▶ High screw application quality thanks to the lowest starting torque tolerances.
- ▶ Consistent, precise tightening torque.

Brushless FEIN PowerDrive motor

- ▶ No maintenance.
- ▶ 30% more efficient.
- ▶ Maximum durability.

FEIN MultiVolt interface

Can be operated with all FEIN li-ion batteries.

Mechanical clutch

The torque can be precisely set over a large range and called up with repeat accuracy.



FEIN SafetyCell technology

FEIN li-ion batteries are exceptionally durable and safe thanks to a separate communication line that provides the battery with reliable protection from overloads, overheating and deep discharging.



Adjustable angle head

For precise screw applications, even in difficult-to-reach spots.

Compact and ergonomic design

The short overall length combined with ergonomic design ensures excellent accessibility and fatigue-free work.

ParameterControl

- ▶ PC models can be customized optimally for the torque-rate joint.
- ▶ Programming them is possible in both forward and reverse operation.

The FEIN AccuTEC baton offset screwdrivers at a glance.

FEIN ACCUTECH baton offset screwdrivers up to 159 lbs in (18 Nm)

Model		ASM 14-6 PC	ASM 14-14 PC	ASW 18-6 NEU	ASM 18-6 PC NEU
Torque range	lbf in (Nm)	13 - 54 (1.5 - 6)	26 - 124 (3-14)	11 - 54 (1.2 - 6)	11 - 54 (1.2 - 6)
No-load speed	rpm	50 - 670	50 - 500	575	100 - 1,340
Voltage	V	14.4	14.4	18	18
Weight including angle head according to EPTA	lbs (kg)	3.1 (1.4)	3.1 (1.4)	3.1 (1.4)	3.1 (1.4)
Cmk value (based on 6 Sigma)		>1.67 at (± 10%)	>1.67 at (± 10%)	>1.67 at (± 10%)	>1.67 at (± 10%)
Order number		7 112 50 09 95 0	7 112 52 09 95 0	7 112 65 60 09 0	7 112 66 60 09 0

Delivery does not include battery, charger, angle head or torque wrench.

FEIN ACCUTECH baton offset screwdrivers up to 59 lbf in (18 Nm)

Model		ASW 18-12 NEU	ASM 18-12 PC NEU	ASW 18-18 NEU	ASM 18-18 PC NEU
Torque range	lbf in (Nm)	27 - 106 (3 - 12)	27 - 106 (3 - 12)	53 - 159 (6 - 18)	53 - 159 (6 - 18)
No-load speed	rpm	430	75 - 1,020	375	65 - 900
Voltage	V	18	18	18	18
Weight including angle head according to EPTA	lbs (kg)	2.6 (1.2)	2.6 (1.2)	2.6 (1.2)	2.6 (1.2)
Cmk value (based on 6 Sigma)		>1.67 at (± 10%)	>1.67 at (± 10%)	>1.67 at (± 10%)	>1.67 at (± 10%)
Order number		7 112 67 60 09 0	7 112 68 60 09 0	7 112 69 60 09 0	7 112 70 60 09 0

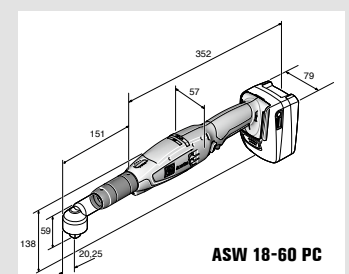
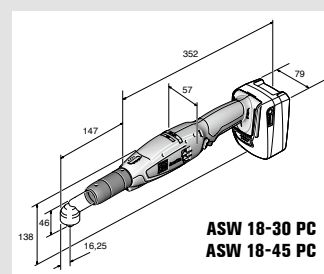
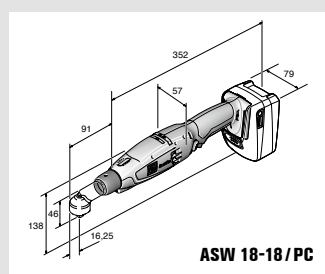
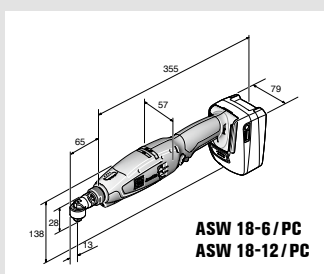
Delivery does not include battery, charger, angle head or torque wrench.

FEIN ACCUTECH baton offset screwdrivers up to 531 ibf (60Nm)

Model		ASM 18-30 PC	ASM 18-45 PC	ASM 18-60 PC
Torque range	lbf in (Nm)	106 - 265 (12 - 30)	177 - 398 (20 - 45)	221 - 531 (25 - 60)
No-load speed	rpm	30-420	25-310	20-230
Voltage	V	18	18	18
Weight including angle head according to EPTA	lbs (kg)	3.3 (1.5)	3.3 (1.5)	3.6 (1.65)
Cmk value (based on 6 Sigma)		>1.67 at (± 10%)	>1.67 at (± 10%)	>1.67 at (± 10%)
Order number		7 112 62 60 09 0	7 112 63 60 09 0	7 112 64 60 09 0

Delivery does not include battery, charger, angle head or torque wrench.

Measurement form



FEIN AccuTEC ASM: Over 1 million screw connections.

The FEIN ACCUTECH ASM screw guns with mid-mounted handle – built for the most exacting speed and precision requirements. The electronically controlled motor speed keeps the nominal rpm constant over a broad range of torque up to the shutoff torque. This saves time in soft screw applications. The FEIN li-ion battery provides significantly more screw applications per charge and a longer operating period in assembly.

FEIN advantages:

- ▶ Maintenance-free, brushless PowerDrive Motor for up to 30% more screw applications per battery charge.
- ▶ No drop in speed until torque is cut off.
- ▶ Long operating periods thanks to high performance li-ion batteries.
- ▶ Machine data read-out possible using ParameterControl software.

Forward and reverse rotation

By pressing once, the FEIN ACCUTECH ASM is quickly and easily switched to reverse rotation. An acoustic signal marks the change.

Gearbox

The needle-bearing gearbox is maintenance-free, extremely robust and very quiet.



High performance LED

The integrated light ensures optimal illumination of the screwdriving site.

PowerDrive motor

- ▶ Practically no wear.
- ▶ Twice the service life.
- ▶ 30% more efficient.
- ▶ 100% more endurance per charge.

Constant electronics

The electronics ensure constant speeds until cutoff.

FEIN battery technology

- ▶ FEIN li-ion batteries are available with 2.5 Ah and 5 Ah.
- ▶ With charge indicator.
- ▶ Operable to -4°F (-20°C).
- ▶ Innovative FEIN batteries with SafetyCell technology.

**LI-ION
BATTERIES**

FEIN AccuTEC screw guns with mid-mounted handle at a glance.

FEIN ACCUTECH ASM screw guns with mid-mounted handle up to 106 lbs in (12 Nm) for 14.4-volt li-ion batteries

Model		ASM 14-2	ASM 14-6	ASM 14-9	ASM 14-12
Torque range	lbf in (Nm)	4 - 18 (0.5 - 2)	11 - 53 (1.2 - 6)	18 - 80 (2 - 9)	27 - 106 (3 - 12)
No-load speed	rpm	350	600	600	500
Voltage	V	14.4	14.4	14.4	14.4
Weight (EPTA)	lbs (kg)	1.98 (0.9)	1.98 (0.9)	1.98 (0.9)	1.98 (0.9)
Tool mount	in	¼ in hexagonal socket	¼ in hexagonal socket	¼ in hexagonal socket	¼ in hexagonal socket
Cmk value (based on 6 Sigma)		>1.67 at (± 10%)	>1.67 at (± 10%)	>1.67 at (± 10%)	>1.67 at (± 10%)
Order number		7 112 60 09 95 0	7 112 28 09 95 0	7 112 59 09 95 0	7 112 57 09 95 0

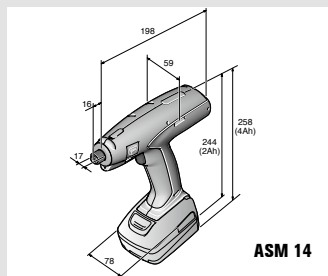
Delivery does not include battery, charger or torque wrench.

Programmable FEIN ACCUTECH screw guns with mid-mounted handle up to 106 lbs in (12 Nm) for 14.4-volt li-ion batteries

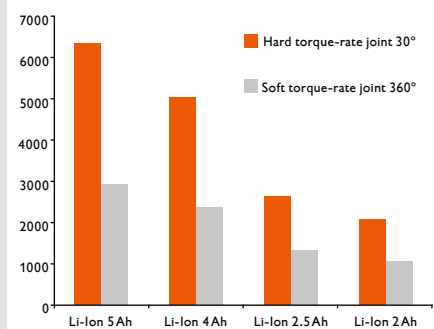
Model		ASM 14-2 PC	ASM 14-6 PC	ASM 14-9 PC	ASM 14-12 PC
Torque range	lbf in (Nm)	4 - 18 (0.5 - 2)	11 - 53 (1.2 - 6)	18 - 80 (2 - 9)	27 - 106 (3 - 12)
No-load speed	rpm	50 - 700	50 - 950	50 - 700	50 - 700
Voltage	V	14.4	14.4	14.4	14.4
Weight (according to EPTA)	lbs (kg)	1.98 (0.9)	1.98 (0.9)	1.98 (0.9)	1.98 (0.9)
Tool mount	in	¼ in hexagonal socket	¼ in hexagonal socket	¼ in hexagonal socket	¼ in hexagonal socket
Cmk value (based on 6 Sigma)		>1.67 at (± 10%)	>1.67 at (± 10%)	>1.67 at (± 10%)	>1.67 at (± 10%)
Order number		7 112 61 09 95 0	7 112 54 09 95 0	7 112 55 09 95 0	7 112 56 09 95 0

Delivery does not include battery, charger or torque wrench.

Measurement form



Screw applications per battery charge



FEIN SafetyCell technology



All FEIN li-ion batteries feature the SafetyCell technology: a separate communication link provides the battery and tool with reliable protection from overloading, overheating and deep discharging. This makes FEIN battery technology durable and safe.

FEIN AccuTEC with ParameterControl – precision for custom torque-rate joints.

In response to increasingly complex assembly procedures, FEIN offers perfect solutions for almost all production processes. Going beyond the standard product range, FEIN ACCUTECH ParameterControl screwdrivers are available for custom torque-rate joints.

Using freely programmable parameters such as angle of rotation, time, torque threshold, speed and rotation direction, the tightening

behavior of every torque-rate joint can be precisely set in up to seven program steps. The constant monitoring of parameters during the screwdriving application ensures a high level of reliability. This leads to a significant increase in quality and measurably optimizes the procedures in production work.

FEIN ACCUTECH screwdrivers with ParameterControl are therefore the best choice, including from an economic viewpoint.



FEIN advantages:

- ▶ No loss of speed when driving screws in the individual levels thanks to FEIN speed monitoring.
- ▶ Unlimited programmable parameters: speed, direction, rotation angle, torque threshold, time.
- ▶ Recording of screw connections made and calibration data takes place in the maintenance module.
- ▶ Exact adjustment to the specific torque-rate joint due to customized programming.
- ▶ The parameters are individually configurable in up to seven program steps.
- ▶ The parameters can also be configured for reverse running.
- ▶ 100% process-optimized. Adjustable error criteria prevent manipulation of the screwdriving process.
- ▶ Secure tool programming using an integrated interface and the included software.
- ▶ Protection of the tool from unintended access, by means of factory-installed password.

FEIN ParameterControl Software**Individual programming in only a few steps:**

- ▶ Easy entry of required data at the computer.
- ▶ Transfer over an interface integrated into the screwdriver.
- ▶ Storage of the data on the computer for later reuse, e.g. in the event of a machine exchange.
- ▶ PC models can be customized optimally for the torque-rate joint.
- ▶ Programming them is possible in both forward and reverse operation.
- ▶ This means that multi-level screw connections can be implemented with speed and precision.



ASW 14/18 accessories

Code sleeve set

For color identification of variants.



	pack	Order number
Assorted colors	7	3 05 01 352 02 0
Blue	10	3 05 01 355 01 0
Red	10	3 05 01 356 01 0
Orange	10	3 05 01 357 01 0
Yellow	10	3 05 01 358 01 0
Gray	10	3 05 01 353 01 0
Green	10	3 05 01 354 01 0
Black	10	3 05 01 352 01 0

Safety housing for baton offset screwdrivers

To prevent damage to workpieces.



	Order number
ASW 14	3 21 74 014 01 0
ASW 18	3 21 74 024 01 0

ASW 14 extension

3 - 25/64 in (86 mm).

To reduce reaction torque.



Order number	6 42 03 004 01 0
--------------	------------------

ASW 18 extension

4 in (100 mm). To reduce reaction torque.



Order number	6 42 03 005 01 0
--------------	------------------

ASW handle

For ASW14-30 and all ASW 18 models.



Order number	3 21 19 150 01 0
--------------	------------------

C-wrench

For fastening angle heads for ASW 18-18 (PC), ASW 18-30/45/60 PC



Order number	6 29 08 014 00 0
--------------	------------------

ASM accessories

Code sleeve set

For color identification of variants.



	pack	Order number
Assorted colors	7	3 05 01 345 02 0
Blue	10	3 05 01 348 01 0
Red	10	3 05 01 349 01 0
Orange	10	3 05 01 350 01 0
Yellow	10	3 05 01 351 01 0
Gray	10	3 05 01 346 01 0
Green	10	3 05 01 347 01 0
Black	10	3 05 01 345 01 0

Safety housing for ACCUTECH ASM

To prevent damage to workpieces.



Order number	3 14 20 120 01 0
--------------	------------------

ParameterControl accessories



Programming adapter

For all ACCUTECH ParameterControl models.

Price includes: Software on USB card incl. operating instructions, adapter and connecting cable.

Order number	9 26 04 163 02 0
--------------	------------------

General accessories for all machines

Tool stand

Tool storage for all FEIN ACCUTECH models.



Order number	3 21 26 012 01 0
--------------	------------------

Tool clamp

For ASW 14 and ASW 18 models.

Diameter: 29/32 - 1-3/8 in (23 - 35 mm)



Order number	9 26 02 097 01 0
--------------	------------------

ASM/ASW hanger

Dimensions (HxWxD):

5 - 1/32 x 1-3/8 x 7/64 in (147 x 35 x 2.8 mm)



Order number	3 21 25 050 00 7
--------------	------------------

Nylon rope/wire cable balancer

For secure "zero-gravity" suspension of equipment and power connection.

Small size, constant pulling force, easily adjustable, coiled power cable available as an accessory.



High tensile strength nylon rope

Adjustable load	Weight	Factory setting	max. rope extension	Order number
1.1 - 3.3 lbs (0.5 - 1.5 kg)	0.77 lbs (0.35 kg)	2.2 lbs (1 kg)	3 ft (0.9 m)	9 08 01 012 00 8
3.3 - 5.5 lbs (1.5 - 2.5 kg)	0.77 lbs (0.35 kg)	4.9 lbs (2 kg)	3 ft (0.9 m)	9 08 01 023 00 1

Wire cable

Adjustable load	Weight	Factory setting	max. rope extension	Order number
1.1 - 3.3 lbs (0.5 - 1.5 kg)	0.77 lbs (0.35 kg)	2.2 lbs (1 kg)	3 ft (0.9 m)	9 08 01 052 00 4
3.3 - 5.5 lbs (1.5 - 2.5 kg)	0.77 lbs (0.35 kg)	4.9 lbs (2 kg)	3 ft (0.9 m)	9 08 01 037 00 9

Steel cable balancer

For secure "zero-gravity" suspension of equipment and power connection.

Constant pulling force, tear-resistant steel cable, coiled power cord available as an accessory.





Adjustable load	Weight	Factory setting	max. rope extension	Order number
1.1 - 3.3 lbs (0.5 - 1.5 kg)	7.1 lbs (3.2 kg)	4.9 lbs (2 kg)	2 m	9 08 01 024 00 9
3.3 - 5.5 lbs (1.5 - 2.5 kg)	7.1 lbs (3.2 kg)	7.7 lbs (3.5 kg)	2 m	9 08 01 025 00 3

Li-ion batteries

Battery type					
Voltage	12V	14.4V	14.4V	18V	18V
Capacity	2.5 Ah	2.5 Ah	5 Ah	2.5 Ah	5 Ah
Weight	0.5 lbs (250 g)	0.9 lbs (400 g)	1.3 lbs (600 g)	1.0 lbs (450 g)	1.6 lbs (700 g)
Order number VE 1	9 26 04 168 02 0	9 26 04 170 02 0	9 26 04 172 02 0	9 26 04 171 02 0	9 26 04 173 02 0
Order number VE 12	-	-	-	9 26 04 171 03 0	9 26 04 173 03 0
Order number VE 15	-	9 26 04 170 03 0	9 26 04 172 03 0	-	-

Battery chargers

Model		ALG 30	ALS 40
			
Insert		1	4
Input voltage	V	220 - 240	220 - 240
Frequency	Hz	50/60	50/60
Power consumption	W	100	400
Output voltage	V	6.0 - 25.2	6.0 - 25.2
Max. charging current	mA	5,000	5,000
Capacity	Ah	0.8 - 7.5	0.8 - 7.5
Ambient temperature	°F (°C)	0 - 113 (0 - 45)	0 - 113 (0 - 45)
Charging time	min.	20 - 60	20 - 60
NiCad 1.25 Ah charging time	min.	25	25
NiCad 3 Ah charging time	min.	60	60
Li-ion 2.6 Ah charging time	min.	45	45
Weight	lbs (kg)	1.5 (0.7)	16.5 (7.5)
Order number VE 1		9 26 04 101 01 0	9 26 04 119 01 0
Order number VE 25		9 26 04 101 03 0	-

Battery protection shells



	Order number
12V; 2,5 Ah	3 21 74 025 01 0
14,4V; 2/ 2,5 Ah	3 21 74 015 01 0
14,4V; 4/ 5 Ah	3 21 74 016 01 0
18V; 2,5 Ah	3 21 74 020 01 0
18V; 5 Ah	3 21 74 019 01 0



Charger adapter

For the interface of NiCad and NiMH batteries on ALS 40, ALG 40 and ALG 30 chargers.



Order number	9 26 04 103 01 0
--------------	------------------

Angle heads / straight output up to 124 lbf in (14 Nm)

					
Type	Angle head			Straight output	
Tool mount	1/4 in external square	QuickIN 1/4 in hexagonal socket	3/8 in external square	QuickIN 1/4 in hexagonal socket	3/8 in external square
torque	up to 124 lbf in (14 Nm)			up to 88 lbf in (9.9 Nm)	
for baton offset screwdrivers	ASW 14-6 (PC), ASW 14-10 (PC), ASW 14-14 (PC), ASW 18-6 (PC), ASW 18-12 (PC)			ASW 14-6 (PC): 10 - 37 lbf in (1.1 - 4.2 Nm), ASW 14-10 (PC): 2 - 63 lbf in (1.4 - 7.1 Nm), ASW 14-14 (PC): 19 - 88 lbf in (2.1 - 9.9 Nm), ASW 18-6 (PC): 1.1 - 4.2 Nm, ASW 18-12 (PC): 19 - 75 lbf in (2.1 - 8.5 Nm)	
Order number	9 01 02 014 01 0	9 01 02 012 01 0	9 01 02 013 01 0	9 01 06 001 02 0	9 01 06 002 02 0

Angle heads up to 60 Nm

			
Type	Angle head	Angle head	Angle head
Tool mount	3/8 in external square	3/8 in external square	1/2 in external square
torque	up to 159 lbf in (18 Nm)	up to 266 / 398 lbf in (30/45 Nm)	up to 531 lbf in (60 Nm)
for baton offset screwdrivers	ASW 18-18 (PC)	ASW 18-30 PC ASW 18-45 PC	ASM 18-60 PC
Order number	9 01 02 017 02 0	9 01 02 015 02 0	9 01 02 016 02 0

Safety housing for angle heads

			
for angle heads	up to 124 lbf (14 Nm)	up to 398 lbf (45 Nm)	up to 531 lbf (60 Nm)
Order number	3 14 28 166 00 0	3 21 74 022 01 0	3 21 74 021 01 0

**FEIN. Unverwüstliche
Elektrowerkzeuge.**



FEIN cordless impact wrenches – extremely robust for tough jobs.

The FEIN cordless impact wrench with brushless motor and 6 torque settings. For metric screw applications up to M14. They enable low recoil installation and removal of bolts with extremely high torque. FEIN cordless impact wrenches impress thanks to unrivaled ergonomics, maximum efficiency and reliability.

Technical specifications

Model	ASCD 12-150 W8 SELECT
Technical features	<ul style="list-style-type: none"> ▶ brushless FEIN PowerDrive motor ▶ FEIN li-ion battery with SafetyCell technology. ▶ 3/8 in external square. ▶ Compact design. ▶ 6-Step electronic torque setting prevents shearing of screw heads.
Battery voltage	12V
Battery capacity	2.5 Ah
No-load speed	0-1 800 rpm
Impacts	0-3 600 rpm
Max. torque	1195 lbf in (135 Nm)
Max. screw Ø	9/16 in (M 14)
Weight with battery	2.4 lbs (1.1 kg)
Order number	7 115 04 64 00 0



The emission values (noise / vibration) for FEIN power tools can be found at www.fein.com / vibration

Still have questions? Your specialty dealer will be happy to help:

DE: C. & E. Fein GmbH, Tel. 07173 183-0, www.fein.com

US: FEIN Power Tools Inc., Phone 1-412-922-8886, Toll Free: 1-800-441-9878, www.fein.com

CA: FEIN Canada, Phone 905 890-1390, Toll Free: 1-800-265-2581, Toll Free (Français): 1-800-789-8181, www.fein.ca

