

► AUTOMOTIVE

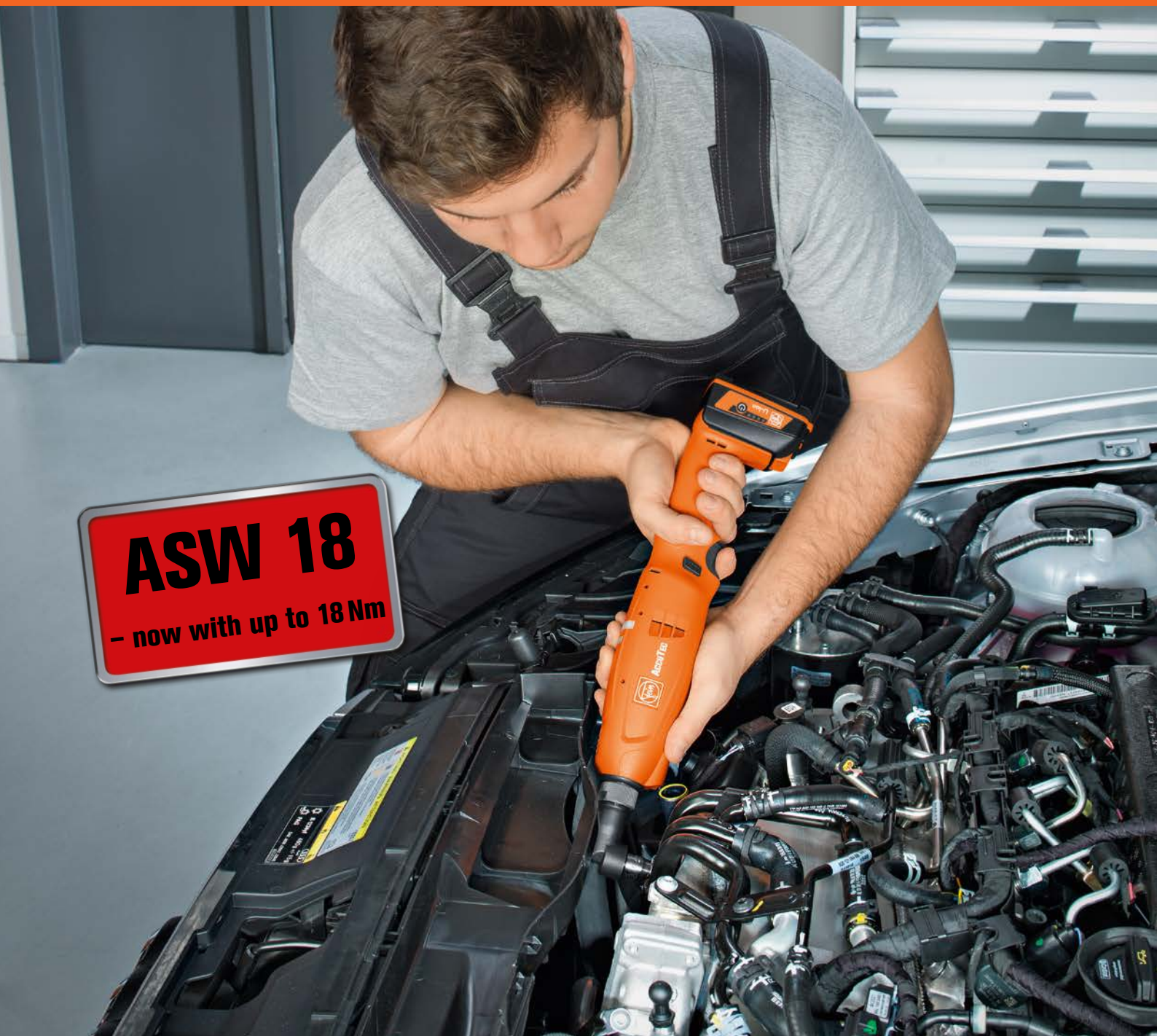
FEIN. Unverwüstliche
Elektrowerkzeuge.



Precise, reliable, programmable – FEIN AccuTEC.

FEIN, the complete supplier for precision screwdriving in industrial volume production.

ASW 18
- now with up to 18 Nm



FEIN AccuTEC screwdrivers – for absolute process reliability, very high cost-efficiency and maximum precision.

FEIN ACCUTECH screwdrivers are specifically designed for the tough requirements of industrial volume production. They offer very high repeat accuracy, maximum precision and enormous flexibility. Adjustable over a wide torque range, they can handle a range of different screwdriving applications while the programmable versions can tackle individual screwdriving scenarios.

FEIN ACCUTECH screwdrivers are ideally equipped for continuous use in industry.

- ▶ Outstanding ergonomics and compact design.
- ▶ Maximum functionality and simple operating concept.
- ▶ High quality screw connections in the 0.5 Nm to 60 Nm range.
- ▶ Infinitely variable adjustment of idling speeds from 20 rpm to a maximum of 1340 rpm.



FEIN benefits:

- ▶ Brushless FEIN PowerDrive motors with high efficiency for up to 30 % more screw connections per battery charge.
- ▶ High quality screw connections due to narrow tightening tolerances, regardless of the application.
- ▶ FEIN industrial-quality Li-ion batteries with SafetyCell Technology for very long lifetime.
- ▶ Low maintenance costs due to long service life.
- ▶ Process-optimised shut-off screwdrivers are tested for compliance with ISO 5393 and satisfy the machine capability test according to VDI/VDE 2647.
- ▶ Made in Germany.

**FEIN ACCUTEC baton offset screwdrivers**

The cordless shut-off screwdrivers from FEIN with a baton offset design can be used for screw connections of up to 60Nm. Their ergonomic, compact design make fatigue-free working possible, even in tight spaces.

**FEIN ACCUTEC screw guns with mid-mounted handle**

The cordless shut-off screwdrivers from FEIN with a mid-mounted handle design are ideal for screw connections of up to 12Nm. Their low weight and ergonomic handle make long periods of use possible.

**FEIN ACCUTEC ParameterControl**

The programmable FEIN ACCUTEC PC screwdrivers allow you to split complex screwdriving applications into up to seven steps. This allows the FEIN ACCUTEC PC screwdriver to be adapted to the individual application. This not only saves time, it also makes optimum screw connections possible.

NEW

FEIN AccuTEC ASW 18: highly flexible, powerful and incredibly precise.

Reliable and speedy screw connections for torques of up to 18 Nm are possible with the new FEIN ACCUTECH ASW 18 baton offset screwdriver. In addition to the impressive maximum torque and speed, both parameters can be individually adjusted over a wide range for maximum flexibility.

FEIN benefits:

- ▶ Compact design for working in hard-to-reach places.
- ▶ Maintenance-free, brushless FEIN PowerDrive motor.
- ▶ Restart delay and restart protection.
- ▶ High screw connection quality thanks to extremely narrow tightening tolerances.
- ▶ Constant, precise tightening torque.

Brushless FEIN PowerDrive motor

- ▶ No maintenance.
- ▶ 30% higher efficiency.
- ▶ Very long service life.

FEIN MultiVolt interface

Can be operated with all FEIN Li-Ion batteries.

Mechanical clutch

The torque can be accurately set over a large range and retrieved with repeat accuracy.



FEIN SafetyCell technology

FEIN lithium ion batteries are exceptionally long-lasting and safe due to a separate communication cable, which reliably protects the battery from overload, overheating and total discharge.

Adjustable angled head

For precise screwdriving even in hard-to-reach places.

Compact and ergonomic design



The short overall length combined with the ergonomic design ensure very good accessibility and fatigue-free working.

ParameterControl

- ▶ PC models can be ideally adjusted to the application in hand.
- ▶ Programming is possible in both clockwise and anti-clockwise operation.


FEIN AccuTEC baton offset screwdrivers at a glance.

FEIN AccuTEC baton offset screwdrivers with up to 18 Nm

Model		ASW 14-6 PC	ASW 14-14 PC	ASW 18-6	ASW 18-6 PC
					
Torque range	Nm	1.5 - 6	3 - 14	1.2 - 6	1.2 - 6
Idling speed	rpm	50 - 670	50 - 500	575	100 - 1340
Voltage	V	14.4	14.4	18	18
Weight with angled head (according to EPTA)	kg	1	1	1	1
CMK value (in relation to 6 Sigma)		>1.67 at (+- 10%)	>1.67 at (+- 10%)	>1.67 at (+- 10%)	>1.67 at (+- 10%)
Order number		7 112 50 00 95 0	7 112 52 00 95 0	7 112 65 60 00 0	7 112 66 60 00 0




Supplied without battery, charger, angled head or torque wrench.

FEIN AccuTEC baton offset screwdrivers with up to 18 Nm

Model		ASW 18-12	ASW 18-12 PC	ASW 18-18	ASW 18-18 PC
					
Torque range	Nm	3 - 12	3 - 12	6 - 18	6 - 18
Idling speed	rpm	430	75 - 1020	375	65 - 900
Voltage	V	18	18	18	18
Weight with angled head (according to EPTA)	kg	1	1	1.2	1.2
CMK value (in relation to 6 Sigma)		>1.67 at (+- 10%)	>1.67 at (+- 10%)	>1.67 at (+- 10%)	>1.67 at (+- 10%)
Order number		7 112 67 60 00 0	7 112 68 60 00 0	7 112 69 60 00 0	7 112 70 60 00 0

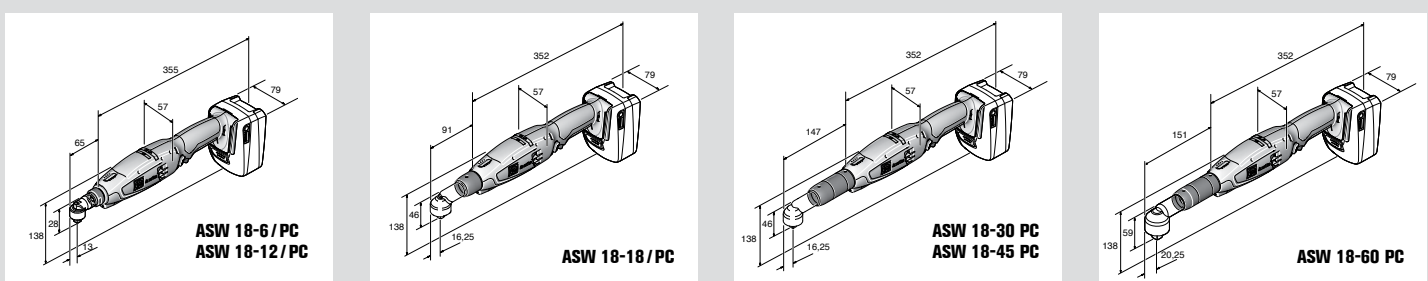
Supplied without battery, charger, angled head or torque wrench.

FEIN AccuTEC baton offset screwdrivers with up to 60 Nm

Model		ASW 18-30 PC	ASW 18-45 PC	ASW 18-60 PC
				
Torque range	Nm	12 - 30	20 - 45	25 - 60
Idling speed	rpm	30-420	25-310	20-230
Voltage	V	18	18	18
Weight with angled head (according to EPTA)	kg	1.5	1.5	1.65
CMK value (in relation to 6 Sigma)		>1.67 at (+- 10%)	>1.67 at (+- 10%)	>1.67 at (+- 10%)
Order number		7 112 62 60 00 0	7 112 63 60 00 0	7 112 64 60 00 0

Supplied without battery, charger, angled head or torque wrench.

Sizing sheet



FEIN AccuTEC ASM: more than 1 million screw connections.

The FEIN ACCUTECH screw gun ASM with mid-mounted handle – designed to meet the most stringent speed and precision requirements. The electronically controlled motor speed keeps the nominal speed constant over a wide torque range until the cut-out torque is reached. This saves time when you're making soft screw connections. With significantly more screw connections per battery charge, the FEIN Li-ion battery also offers a longer period of use in assembly.

FEIN benefits:

- ▶ Maintenance-free, brushless PowerDrive motor for up to 30 % more screw connections per charge.
- ▶ No loss of speed until the torque cuts out.
- ▶ Long periods of use thanks to high-performance Li-ion batteries.
- ▶ Tool data can be read out with ParameterControl software.

Clockwise/ anti-clockwise rotation

One press is all it takes to quickly and easily switch the FEIN ACCUTECH ASM to anti-clockwise operation. An acoustic signal sounds when this happens.

Gearbox

The needle-mounted gearbox requires no maintenance, is extremely robust and very quiet.

PowerDrive motor

- ▶ Virtually wear-free.
- ▶ 2x longer service life.
- ▶ 30% higher efficiency.
- ▶ 100% more performance per battery charge.

High-power LED

The integrated light ensures optimum illumination of the screwdriving point.

FEIN battery technology

- ▶ FEIN Li-ion batteries are available with 2.5 Ah and 5 Ah.
- ▶ With charge status indicator.
- ▶ Can be used down to -20°C.
- ▶ Innovative FEIN battery packs with SafetyCell technology.





Constant electronics

The electronics ensure constant speeds until shutdown.







FEIN AccuTEC screw guns with mid-mounted handle at a glance.

FEIN AccuTEC ASM screw guns with mid-mounted handle with up to 12 Nm for 14.4 V Li-ion batteries

Model		ASM 14-2	ASM 14-6	ASM 14-9	ASM 14-12
					
Torque range	Nm	0.5-2	1.2-6	2-9	3-12
Idling speed	rpm	350	600	600	500
Voltage	V	14.4	14.4	14.4	14.4
Weight (according to EPTA)	kg	0.9	0.9	0.9	0.9
Tool mounting	in	¼ in hexagon socket	¼ in hexagon socket	¼ in hexagon socket	¼ in hexagon socket
CMK value (in relation to 6 Sigma)		>1.67 at (+- 10%)	>1.67 at (+- 10%)	>1.67 at (+- 10%)	>1.67 at (+- 10%)
Order number		7 112 60 00 95 0	7 112 28 00 95 0	7 112 59 00 95 0	7 112 57 00 95 0

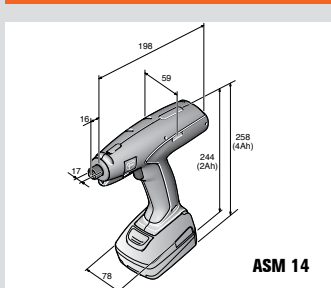
Supplied without battery, charger or torque wrench.

Programmable FEIN AccuTEC screw guns with mid-mounted handle with up to 12 Nm for 14.4 V Li-ion batteries

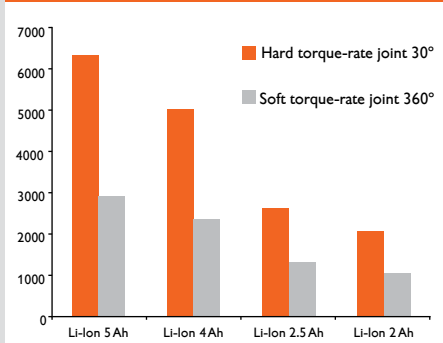
Model		ASM 14-2 PC	ASM 14-6 PC	ASM 14-9 PC	ASM 14-12 PC
					
Torque range	Nm	0.5-2	1.2-6	2-9	3-12
Idling speed	rpm	50-700	50-950	50-700	50-700
Voltage	V	14.4	14.4	14.4	14.4
Weight (according to EPTA)	kg	0.9	0.9	0.9	0.9
Tool mounting	in	¼ in hexagon socket	¼ in hexagon socket	¼ in hexagon socket	¼ in hexagon socket
CMK value (in relation to 6 Sigma)		>1.67 at (+- 10%)	>1.67 at (+- 10%)	>1.67 at (+- 10%)	>1.67 at (+- 10%)
Order number		7 112 61 00 95 0	7 112 54 00 95 0	7 112 55 00 95 0	7 112 56 00 95 0

Supplied without battery, charger or torque wrench.

Sizing sheet



Screw connections per battery charge



FEIN SafetyCell technology



All FEIN Li-ion batteries come with SafetyCell Technology. A separate communication cable reliably protects the battery and tool against overload, overheating and total discharge, making FEIN battery technology both durable and safe.

FEIN AccuTEC with ParameterControl – precision for individual screwdriving applications.

In response to increasingly complex assembly procedures, FEIN offers perfect solutions for practically all production processes. In addition to the standard range, FEIN ACCUTECH ParameterControl screwdrivers are available for individual screwdriving applications.

The individual tightening behaviour of every screwdriving application can be precisely set in up to seven programme steps using freely programmable parameters such as angle of rotation, time, torque

threshold, speed and direction of rotation. The constant monitoring of these parameters during the screwdriving application guarantees a high level of safety. This leads to a significant increase in quality and also measurably optimises the processes in volume production.

This makes FEIN ACCUTECH screwdrivers with ParameterControl the best choice, even from an economic point of view.



FEIN benefits:

- ▶ No loss of speed when screwdriving in the individual levels thanks to FEIN speed monitoring.
- ▶ Freely programmable parameters: speed, direction of rotation, angle of rotation, torque threshold and time.
- ▶ Recording of the screw connection made and calibration data takes place in the maintenance module.
- ▶ Precise adaptation to the specific screwdriving application through individual programming.
- ▶ The parameters can be individually set in up to seven programme steps.
- ▶ The parameters can also be set for anti-clockwise operation.
- ▶ 100 % process-optimized. Error criteria settings prevent manipulation of the screwdriving process.
- ▶ Secure machine programming via an integrated interface and the included software.
- ▶ Protection of the machine from unauthorised access through a factory-installed password.

FEIN ParameterControl software**Individual programming in a few steps:**

- ▶ Easy input of necessary data on the computer.
- ▶ Transfer via an interface integrated into the screwdriver.
- ▶ Data storage on the computer for reuse at a later date, for example when changing the tool.



- ▶ PC models can be ideally adjusted to the application in hand.
- ▶ Programming is possible in both clockwise and anti-clockwise operation.
- ▶ Multi-stage screw connections can therefore be undertaken precisely and at speed.

Accessories for ASW 14 / 18

Coded sleeve set

For colour identification of different models.



	No. in pack	Order number
Assorted colours	7	3 05 01 352 02 0
Blue	10	3 05 01 355 01 0
Red	10	3 05 01 356 01 0
Orange	10	3 05 01 357 01 0
Yellow	10	3 05 01 358 01 0
Grey	10	3 05 01 353 01 0
Green	10	3 05 01 354 01 0
Black	10	3 05 01 352 01 0

Protective cover for baton offset screwdriver

For protecting workpieces from damage.



	Order number
ASW 14	3 21 74 014 010
ASW 18	3 21 74 024 010

Extension for ASW 14

86 mm. For reducing the reaction torque.



Order number	6 42 03 004 01 0
--------------	------------------

Extension for ASW 18

100 mm. For reducing the reaction torque.



Order number	6 42 03 005 01 0
--------------	------------------

Handle for ASW

For ASW14-30 and all ASW 18 models.



Order number	3 21 19 150 01 0
--------------	------------------

Hook wrench

For securing the angled head on ASW 18-18 (PC), ASW 18-30/45/60 PC



Order number	6 29 08 014 00 0
--------------	------------------

Accessories for ASM

Coded sleeve set

For colour identification of different models.



	No. in pack	Order number
Assorted colours	7	3 05 01 345 02 0
Blue	10	3 05 01 348 01 0
Red	10	3 05 01 349 01 0
Orange	10	3 05 01 350 01 0
Yellow	10	3 05 01 351 01 0
Grey	10	3 05 01 346 01 0
Green	10	3 05 01 347 01 0
Black	10	3 05 01 345 01 0

Protective cover for ACCUTECH ASM

For protecting workpieces from damage.



Order number	3 14 20 120 01 0
--------------	------------------

Accessories for ParameterControl



Programming adapter

For all ACCUTECH ParameterControl models.

Scope of supply: software on USB card incl. instructions, adapter and connection cable.

Order number	9 26 04 163 02 0
--------------	------------------

General accessories for all tools

Tool holder

To store all FEIN ACCUTECH models.



Order number	3 21 26 012 01 0
--------------	------------------

Tool clamp

For ASW 14 and ASW 18 models.
Diameter: 23 - 35 mm



Order number	9 26 02 097 01 0
--------------	------------------

Suspension bracket for ASM / ASW

Dimensions (HxWxD): 147x35x2.8 mm



Order number	3 21 25 050 00 7
--------------	------------------

Adjusting wrench

Torque adjusting wrench for ASM and ASW 9/10/14/18 models.



Order number	3 21 23 002 00 6
--------------	------------------

Torque arm

Torque: up to 15 Nm
Min./max. length: 500 - 1100 mm
Order separately: tool clamp, balancer, suspension bracket.



Order number	9 26 02 096 01 0
--------------	------------------

Nylon cord / wire rope balancer

For secure 'weightless' suspension of the tool and cable.

Small size, constant tensile force, easily adjusted, spiral cordset available as accessory.



High tensile strength nylon cord

Adjustable load capacity	Weight	Factory setting	Max. cord extension	Order number
0.5 - 1.5 kg	0.35 kg	1 kg	0.9 m	9 08 01 012 00 8
1.5 - 2.5 kg	0.35 kg	2 kg	0.9 m	9 08 01 023 00 1

Wire rope

Adjustable load capacity	Weight	Factory setting	Max. rope extension	Order number
0.5 - 1.5 kg	0.35 kg	1 kg	0.9 m	9 08 01 052 00 4
1.5 - 2.5 kg	0.35 kg	2 kg	0.9 m	9 08 01 037 00 9

Steel cable balancer

For secure 'weightless' suspension of the tool and cable.

Constant tensile force, tear-resistant steel cable, spiral cordset available as accessory.





Adjustable load capacity	Weight	Factory setting	Max. cord extension	Order number
0.5 - 1.5 kg	3.2 kg	2 kg	2 m	9 08 01 024 00 9
1.5 - 2.5 kg	3.2 kg	3.5 kg	2 m	9 08 01 025 00 3

Li-ion batteries

Battery type					
Voltage	12V	14.4V	14.4V	18V	18V
Capacity	2.5Ah	2.5Ah	5 Ah	2.5Ah	5Ah
Weight	250g	400g	600g	450 g	700 g
Order reference (pack of 1)	9 26 04 168 02 0	9 26 04 170 02 0	9 26 04 172 02 0	9 26 04 171 02 0	9 26 04 173 02 0
Order reference (pack of 12)	-	-	-	9 26 04 171 03 0	9 26 04 173 03 0
Order reference (pack of 15)	-	9 26 04 170 03 0	9 26 04 172 03 0	-	-

Chargers

Model		ALG 30	ALS 40
			
Slide-in module		1	4
Input voltage	V	220-240	220-240
Frequency	Hz	50/60	50/60
Power consumption	W	100	400
Output voltage	V	6.0-25.2	6.0-25.2
Max. charging current	mA	5000	5000
Capacity	Ah	0.8-7.5	0.8-7.5
Ambient temperature	°C	0-45	0-45
Charge time	min	20-60	20-60
Charge time, NiCd 1.25 Ah	min	25	25
Charge time, NiMH 3 Ah	min	60	60
Charge time, Li-ion 2.6 Ah	min	45	45
Weight	kg	0.7	7.5
Order reference (pack of 1)		9 26 04 096 01 0	9 26 04 111 01 0
Order reference (pack of 25)		9 26 04 096 03 0	-

Battery covers



	Order number
12 V; 2.5 Ah	3 21 74 025 01 0
14.4V; 2/ 2.5 Ah	3 21 74 015 01 0
14.4V; 4/ 5 Ah	3 21 74 016 01 0
18V; 2.5 Ah	3 21 74 020 01 0
18V; 5 Ah	3 21 74 019 01 0






Charge adapter

For the battery interface of NiCd and NiMH batteries to ALS 40, ALG 40 and ALG 30.





Order number	9 26 04 103 01 0
--------------	------------------

Angled heads /straight output up to 14 Nm

					
Type	Angled head			Straight output	
Tool mounting	1/4" square head	QuickIN 1/4" hexagon head	3/8" square head	QuickIN 1/4" hexagon head	3/8" square head
Torque	up to 14 Nm			up to 9.9 Nm	
for baton offset screwdrivers	ASW 14-6 (PC), ASW 14-10 (PC), ASW 14-14 (PC), ASW 18-6 (PC), ASW 18-12 (PC)			ASW 14-6 (PC): 1.1-4.2Nm, ASW 14-10 (PC): 1.4-7.1 Nm, ASW 14-14 (PC): 2.1-9.9Nm, ASW 18-6 (PC): 1.1-4.2Nm, ASW 18-12 (PC): 2.1-8.5Nm	
Order number	9 01 02 014 01 0	9 01 02 012 01 0	9 01 02 013 01 0	9 01 06 001 02 0	9 01 06 002 02 0

Angled heads up to 60 Nm

			
Type	Angled head	Angled head	Angled head
Tool mounting	3/8" square head	3/8" square head	1/2" square head
Torque	up to 18 Nm	up to 30/45 Nm	up to 60 Nm
for baton offset screwdrivers	ASW 18-18 (PC)	ASW 18-30 PC ASW 18-45 PC	ASW 18-60 PC
Order number	9 01 02 017 02 0	9 01 02 015 02 0	9 01 02 016 02 0

Protective sleeves for angled heads

			
for angled head	up to 14Nm	up to 45 Nm	up to 60Nm
Order number	3 14 28 166 00 0	3 21 74 022 01 0	3 21 74 021 01 0

**FEIN. Unverwüsthche
Elektrowerkzeuge.**



FEIN cordless impact wrenches – extremely robust for tough jobs.

The FEIN cordless impact wrenches with brushless motor and 6-stage torque setting. For metric screwdriving applications up to M14. They allow screws with extremely high torques to be secured and released with little kick-back. The FEIN cordless impact wrenches offer impressive ergonomics, maximum efficiency and reliability.

Technical data

Model	ASCD 12-150 W8 SELECT
Features	<ul style="list-style-type: none"> ▶ Brushless FEIN PowerDrive motor. ▶ FEIN Li-ion battery with SafetyCell technology. ▶ 3/8" square head. ▶ Compact design. ▶ Electronic 6-stage torque setting prevents screw heads from being torn off.
Battery voltage	12V
Battery capacity	2.5 Ah
Idling speed	0-1800 rpm
Stroke rate	0-3600 rpm
Maximum torque	135 Nm
Max. screw diameter	M14 (8.8)
Weight with battery	1.1 kg
Order number	7 115 04 64 00 0



The emission values (noise / vibration) for FEIN power tools can be found at www.fein.com/vibration

If you have any further questions, Your specialist dealer will be happy to help:

